

ASTATIC

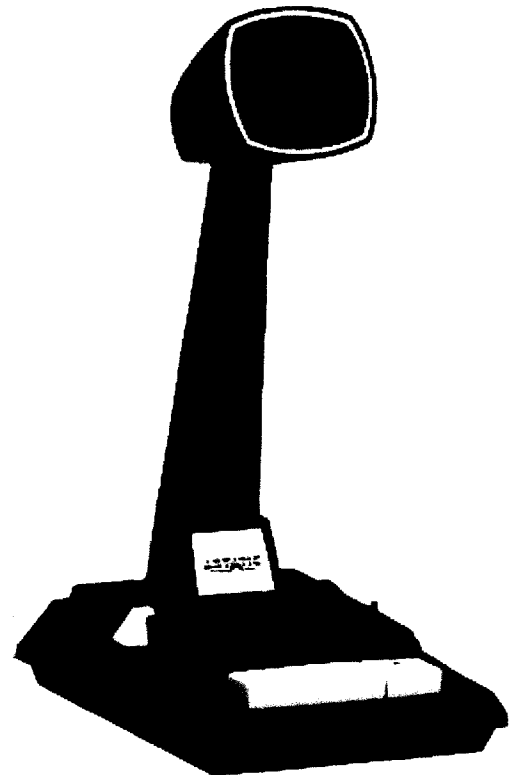
Downloaded by
RadioAmateur.EU

Model 1104C Desk Microphone

DESCRIPTION:

The new Astatic 1104C pre-amplified base station microphone offers the CB'er modern styling, modern features, along with the sound and talk-power' made famous by the Astatic D104 for over 40 years.

An output impedance compatible with the inputs of all commercial transmitters/transceivers and adjustable high gain amplifier ensures desired modulation level. The amplifier has easily accessible slide controls for volume and tone adjustment so that the correct modulation level and tone quality can be set for each operator's voice. A master gain control, accessible only thru the open battery replacement door, can be adjusted to prevent over-modulation and distortion. The amplifier is powered by a readily available, easily replaced, 9 volt battery. Six wire coil cord allows for relay, electronic or virtually any type hookup with almost any transmitter/ transceiver. The audio line is open on receive.



SPECIFICATIONS 1104C

- **Type:** Transistorized ceramic
- **Frequency Response:** Adjustable (See Fig. K)
- **Output Level:** Adjustable, -25dB to -75dB below 1 V/ microbar open circuit, to set the correct modulation level.
- **Amplifier:** Two-stage, low noise FET input, rugged silicon transistor output, gain easily adjustable with slide knob control.
- **Master Gain Control:** Used to adjust maximum output.
- **External Volume Control:** For external gain adjustments desired after proper adjustment of minimum output.
- **Tone Control:** Easily adjusted slide knob (See Fig. B)
- **Battery Type:** 9 volt; Eveready 216, Burgess 1V6, Ray-O-Vac 1604, etc.
- **Battery Drain:** 1.5 ma.
- **Battery Life:** Approximately 6 months (based on normal usage).
- **Temperature Range:** -30°C to + 70°C

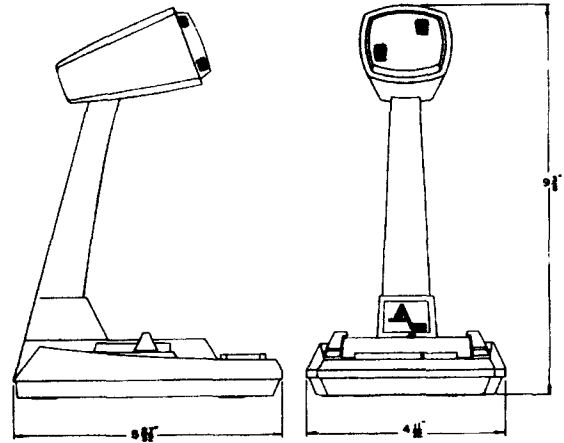
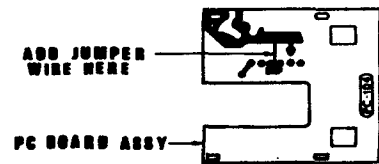


FIG. B

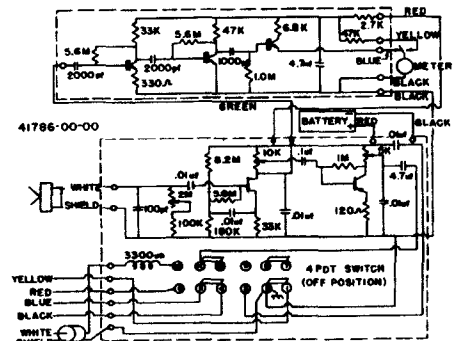


1104C AMPLIFIER BOARD

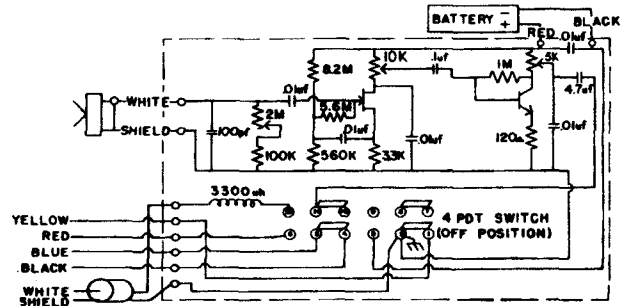
1104C VOLUME AND TONE ADJUSTMENTS

The master gain control has been preadjusted to approximately -50dB re: 1 volt/microbar with external volume and tone controls set at maximum volume and bass. The majority of applications should not require further adjustment of the master gain control for good modulation.

If additional gain is required or over-modulation is experienced, readjust the master gain control as follows. At a speaking distance of 18 inches, with the external slide volume and tone controls set in the center position. adjust the master gain control (thru the open battery replacement door) for 100% modulation. The external slide volume control may now be adjusted for proper modulation at varying distances and with different operators. The tone control should be adjusted for the most intelligible sound. Slide the tone control toward 0 for an increase in bass response and toward 10 for an increase in treble response.



Wiring Schematic 1104CM



Wiring Schematic 1104C

CLEANING INSTRUCTIONS

Wipe gently with a soft damp cloth as required. A light coating of a good quality auto polish will further prevent dirt and scratches. Use mild detergent on 1104C plastic housing; wipe with clean soft cloth.

CAUTION: Do not use abrasive materials or harsh chemicals at any lime to clean these products.

TYPICAL RESPONSE - FREQUENCY CHARACTERISTICS

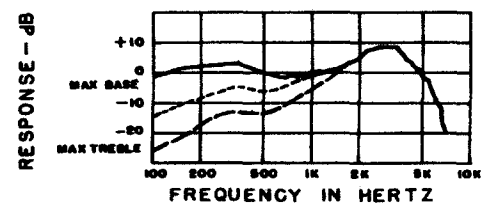


FIG. K



THE ASTATIC CORPORATION
CORONAUT, OHIO 44889