

ASTATIC

Microphones
and installation Accessories

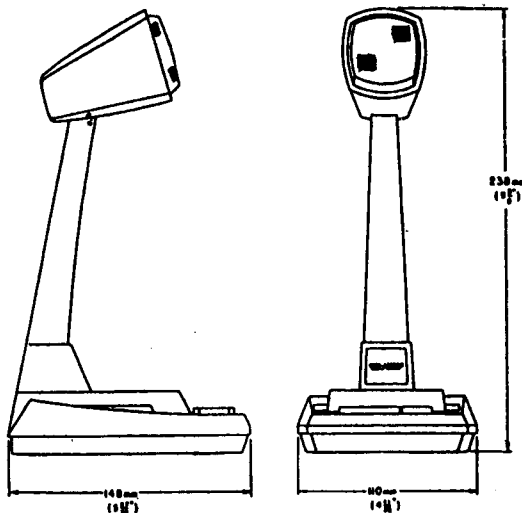
AST878DM

TRANSISTORIZED
DESK PAGING MICROPHONE

DESCRIPTION

The Astatic AST878DM is Omni Directional Ceramic Desk microphone offering a rugged Cylolac housing for Industrial and Commercial applications

The Microphone switching is accomplished with a simple "push to talk" button with locking capabilities. The volume Can be adjusted with a potentiometer located under the Microphone base. The AST878DM is manufactured to take normal abuse and retain it's performance just as all Astatic microphone.



APPLICATIONS

Fire, Police and Taxi dispatching
Paging in Department stores,
Bowling alleys, Factories, schools,
Fast food restanrants. Citizens band
desk microphone.

SPECIFICATIONS

Type: Transistorized ceramic

Frequency Response: See Frequency Response Curve on other side

Output Level: -44dB below 1 volt per microbar at 1 KHz into 1 Megohm load

Output Adjustment: Approximately 40 dB range

Impedance: 5000 ohms max., recommended load of 100 ohms and up; performs well over entire impedance range up to open circuit

Polar pattern: Omni directional

Switch control: Push to Talk”

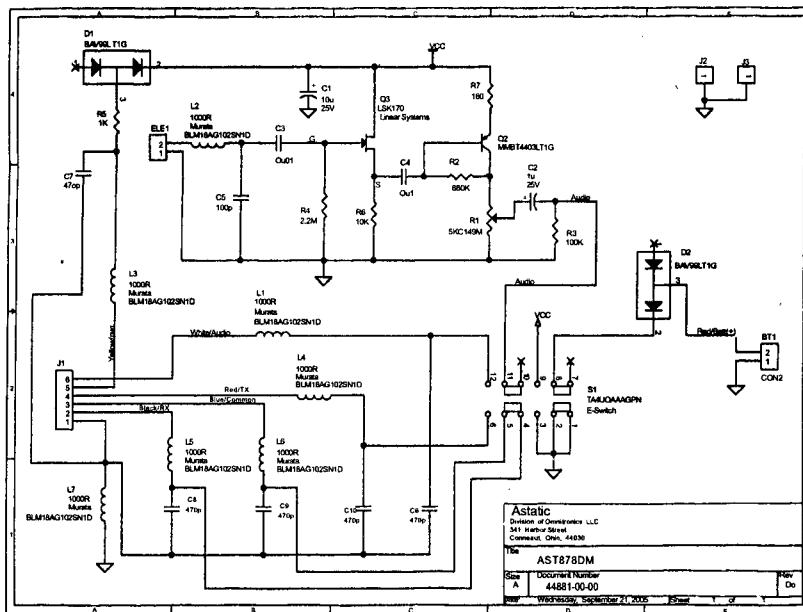
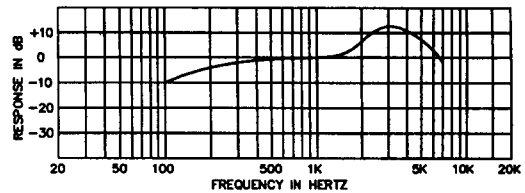
Cable: 0.6M(2ft) four conductor two shielded coil cord (connector included)

Weight: 550grams(19-2/5 oz)

Finish: Durable molded Cycloc in Black with die cast base

Power: 9 volt.battery required

or regulated power supply to be used (not included)



ONE-YEAR LIMITED WARRANTY

BarJan ,LLC hereby warrants that this product will be free of defects in material and workmanship for a period of one year from the date of purchase .In the unlikely event a defect occurs BarJan will , at its option ,either repair or replace with a new unit of equal or greater value .You should retain proof of purchase to validate the purchase date and return it with any warranty claim .Return warranty claims carefully packed ,insured and prepaid to the Service Department at the address listed below

This warranty excludes exterior finish or appearance,damage from abuse,misuse of the product ,use contrary to BarJan 's instructions or unauthorized repair .All implied warranties or merchantability or fitness for a particular purpose are herby disclaimed and BarJan hereby disclaims liability for incidental ,special or consequential damages resulting from the use or unavailability of this product .

This warranty gives you specific legal rights and you may also have other rights which vary from state to state .Some states do not allow the exclusion or limitation of incidental or consequential damages or limitations on how long an implied warranty lasts,so the above exclusions and limitations may not apply to you .Note: No other warranty, written or oral is authorized by BarJan.LLC