



MODEL
D104-M6
MINUTEMAN II

TRANSISTORIZED Communications MICROPHONES

Quality performance Field Effect amplified microphones for amateur, citizens band, mobile, aircraft, marine, etc. applications.

FEATURES and SPECIFICATIONS

- **OUTPUT LEVELS*:** -44dB @ 1000 Hz re 1 volt/microbar into 1 megohm load.
-50dB @ 1000 Hz re 1 volt/microbar into 5000 ohm load.
* At max. gain setting.
- **OUTPUT ADJUSTMENT:** Approx. 40dB range adjustable through hole in rear housing. Use control knob supplied or small screwdriver.
- **OUTPUT IMPEDANCE:** Below 5000 ohms.
RECOMMENDED LOAD: 100 ohms and up; performs well over entire impedance range up to open circuit.
- **SOLID STATE:** Field effect transistor amplifier and ceramic element have good temperature and humidity tolerance.
- **FREQUENCY RESPONSE:** Tailored for voice range transmission for maximum intelligibility and clarity. (Refer to curve.)
- **POLAR PATTERN:** Semi-directional.
- **SWITCH:** Operated by press-to-talk lever. 4PDT switch with spring return disconnects battery in "OFF" position. Operates control circuit and amplifier in "ON" position. Long life trouble-free switch has smooth feel when operated by either hand.
- **CONTROL CIRCUIT:** The D104-M6 is factory wired so that "RELAY", "ELECTRONIC" or "SPECIAL" switching is determined by the hookup at the plug or in the transmitter for wired in units. (Refer to schematic.)
- **CABLE:** Five conductor (one conductor shielded) coiled cord that extends to 7½ feet. Durable strain relief bushing protects against cable breakage at microphone housing.
- **HOUSING:** Attractive, durable high impact molded Cycloc.
- **FINISH:** Front half is bright chrome plated; rear half is charcoal grey.
- **FULLY SHIELDED:** Reduces possibility of external interference and RF feedback.
- **BATTERY:** Uses 7 volt mercury battery. (Mallory TR175 or equal.)
- **MOUNTING BRACKET:** Design permits mounting on vertical or horizontal surface.
- **SIZE:** 3-3/8" high x 2-3/8" wide x 1-21/32" deep. (See drawing.)
- **WEIGHT:** 7-3/4 ounces.



Model D104-M6

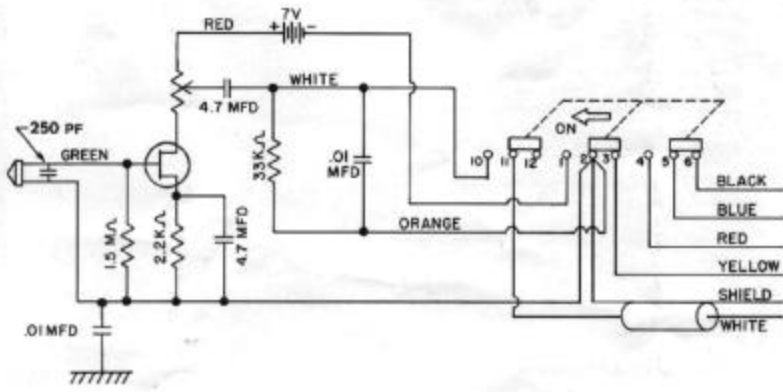
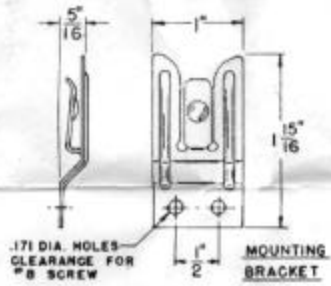
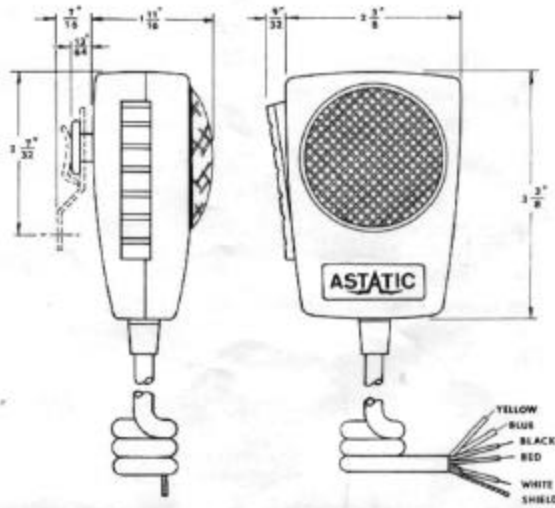
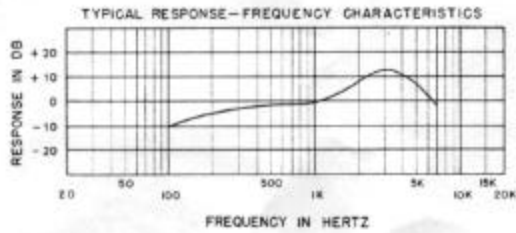
MINUTEMAN II

ASTATIC CORP., P.O. Box 120, Conneaut, Ohio 44030 - 0120 (216) 593 - 1111, Telex 980712

EXPORT: Roburn Agencies, 111 Eighth Avenue, New York, NY 10011 FAX No. 212-645-4234

Printed in U.S.A.

Specifications: D104-M6



- WHITE—AUDIO
- SHIELD—GROUND
- YELLOW—CONTROL
- RED—CONTROL
- BLUE—CONTROL
- BLACK—CONTROL

D104-M6 SCHEMATIC

Service Note: The Model D104-M6 is designed for easy, quick field replacement of the battery.