



# ASTATIC

*World Famous Radio Mics*



# Road Devil

RD104E

THE ULTIMATE  
HANDHELD POWER  
MICROPHONE

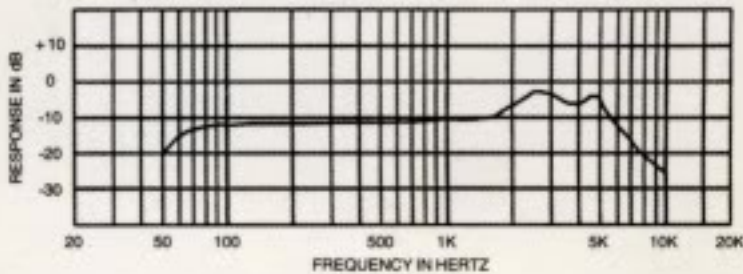
- *Polyurethane Coated Steel Grille Screen*
- *Volume Control Boosts Power and Amplifies Microphone*
- *Electret Noise Canceling Element Assures Clarity in Noisy Conditions*
- *Super High Quality Heavy Duty Cord*



**4-PIN  
MODEL RD104E  
NOISE CANCELING  
AMPLIFIED  
POWER MICROPHONE WITH  
VOLUME CONTROL**

The Road Devil features a high gain amplifier with electronic equalization to provide maximum talk power and intelligibility even under noisy conditions. The Road Devil is a VERY powerful microphone. Please use diligence when setting the gain control to avoid any unnecessary feedback.

**FREQUENCY IN HERTZ**



**SPECIFICATIONS**

- TYPE:** Amplified Electret Noise Canceling
- FREQ. RESP:** See Response Curve
- OUTPUT LEVEL:** Open Circuit, -42 dB (0dB = 1 Volt / microbar)
- IMPEDANCE:** 100 ohms (matches all transceivers)
- CABLE:** Six wire, five conductors, one conductor shielded, coil cord, with durable strain relief.
- CONNECTOR:** 4 Pin (DX1)
- BATTERY:** Standard 9 Volt Battery (Not Included)

**OTHER RADIOS**

Alan 555	Superstar 505F	Tram D62
Craig L103	Superstar 506F	Tram Diamond 40
Craig L104	Superstar TEK-505D	Tram Diamond 60
Connex 3300	Superstar TEK-506D	Tram XL
Dirland SS-3000B	Superstar 120	Tram XL-5
Maxon MCB-60	Superstar 121	Tram XL-23
Pyramid 1300	Superstar 3900	
Standard Horizon 29	Teaberry Stalker 9FM	
Standard Horizon 29A	Teaberry Stalker 9FDX	
Superstar GR	Tek HR3950	
Superstar JA	Tram D12	
Superstar LBJ	Tram D42	

**WARRANTY (LIMITED)**

Astatic Radio Communication Microphones are warranted for one year from the date of purchase by Omnitronics, LLC to be free from defects in material and workmanship. In event of such defect, product will be repaired or replaced at our option with a new unit of equal or superior value. This will be at no charge if delivered prepaid to Omnitronics, LLC or an autho-

rized service center, together with the sales slip or other proof of purchase. The unit will be returned prepaid. Warranty excludes exterior finish, appearance items, or malfunction due to abuse or operation under other than specified

conditions. Consequential or incidental damages are excluded.



- Pin 1 - Shield & Blue (Ground & Common)
- Pin 2 - White (Audio)
- Pin 3 - Red (PTT Transmit)
- Pin 4 - Black (Receive Control)

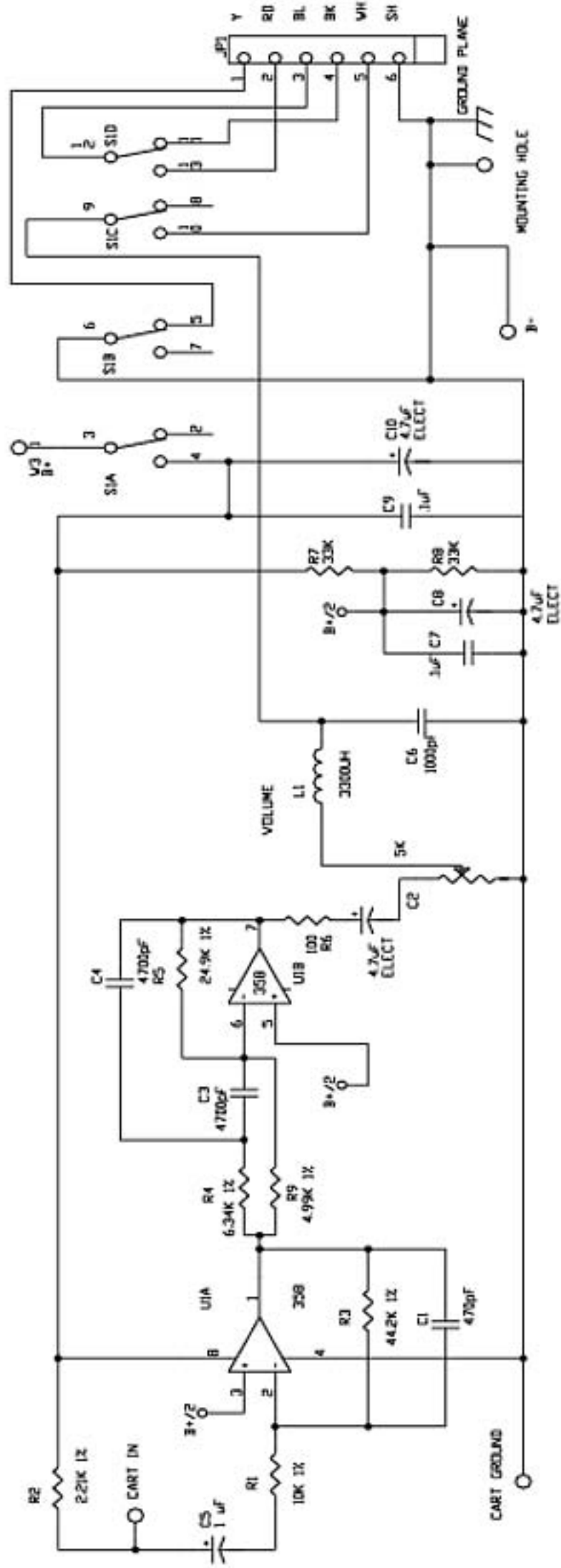
**Shipping Instructions**

Carefully repack the unit and return it prepaid to:  
Omnitronics, LLC (Attn: Service Dept.)  
341 Harbor Street  
Conneaut, Ohio 44030

If outside the United States, contact your dealer or distributor for warranty details.

THE ROAD ASTATIC DEVIL





ASTATIC RD104 (Road Devil)