

Electro-Voice

ELECTRO-VOICE, INC.
BUCHANAN, MICHIGAN



absolute 14 11

Specifications

Model 605 Microphone



Fig. 1 — Model 605 Microphone

The Electro-Voice Model 605 Microphone is a pressure-type microphone. A coil attached to the diaphragm generates a voltage in accordance with the variation in the applied sound pressure.

This compact, sturdily designed microphone has excellent fidelity, high level and pleasing appearance, ideal for speech pickup. It is especially designed for public address work, all types of dispatching call systems, paging systems, amateur and general communication service. Its rugged construction permits indoor and outdoor use without damage by hard usage, temperature or humidity.

At low frequencies this microphone has a nondirectional pickup pattern which becomes slightly directional with increased frequency (See figure 2). This characteristic is a function of the size of the microphone case and does not classify it as a directional microphone but it does provide a means for minimizing high-frequency acoustic feedback.

The diaphragm in the Model 605 is constructed of non-metallic Acoustalloy — an exclusive feature of Electro-Voice dynamic microphones. It aids in providing smooth response over a wide frequency range. In addition, it is practically indestructible, withstands high humidity, extreme temperatures, corrosive effects of salt air and severe mechanical shock.

High impedance models match a standard grid input resistance of from .25 to 5 megohms. Low impedance models should be coupled by a suitable matching transformer, (E-V 502 or equivalent) having the same input impedance as the microphone. Low impedances are not balanced to ground.

Alnico V and Armco magnetic iron are combined in a non-welded magnetic circuit to give the Model 605 an output which is well-suited to modern amplifiers.

SPECIFICATIONS

Low Impedance Output Level: -55 db (0 db equals 1 mw/10 dynes/cm²)

High Impedance Output: -55 db (0 db equals 1 volt/dyne/cm²)

RETMA Sensitivity Rating: -148 db for 50 ohms, -147 db for 250 ohms and -151 db for High Impedance

Frequency Response: 65 to 7500 cps

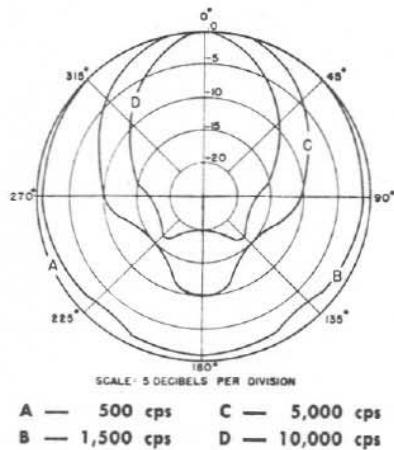


Fig. 2 — Polar Pattern

Specifications Model 605 Microphone

Electro-Voice Specifications / Model 605 Microphone

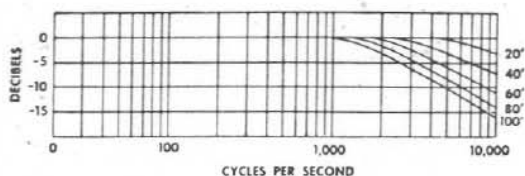


Fig. 3

Attenuation Effect of Extra Cable Length when Installed on 25,000 ohm (Hi-Z) Microphones.

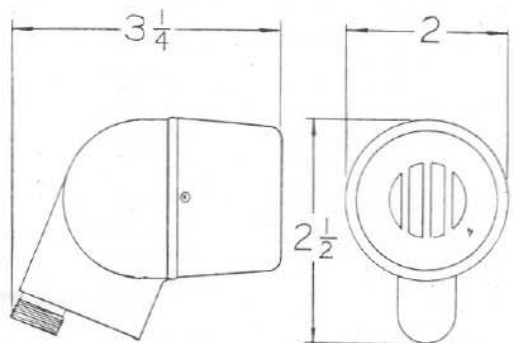
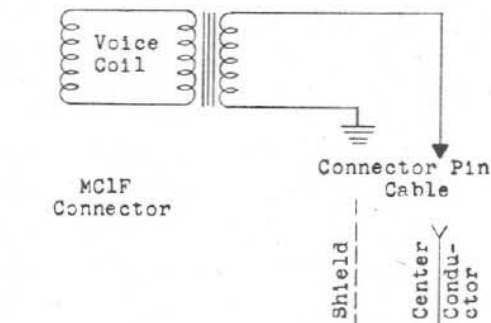


Fig. 4 — Dimensions



Note: Positive voltage with positive pressure, center conductor

Fig. 5 — Wiring Diagram

Polar Pattern: Nondirectional, becoming slightly directional at high frequencies

Generating Element: Dynamic

Impedances Available: 50, 250 ohms and Hi-Z

Dimensions: See Fig. 4

Cable Connector: MC-1 Amphenol

Cable: 18-ft single conductor shielded

Stand Coupler: $\frac{5}{8}$ in. -27 thread.

Case Material: High-pressure die-cast zinc

Finish: Satin chromium

Net Weight: 12 oz less Cable

Warranty: The Electro-Voice Model 605 Microphone is guaranteed against defects in workmanship and material.

Architects' and Engineers' Specifications

The microphone shall be an Electro-Voice Model 605 or equivalent. The microphone shall be a pressure, dynamic type, with uniform frequency response from 65 to 7500 cps. The diaphragm shall be made of non-metallic Acoustalloy. The microphone shall have one of the following impedances... 50, 250 ohms or high impedance. High-impedance models shall work into a standard grid input resistance of from .25 to 5 megohms.

The output level for high impedance shall be -55 db with 0 db equalling 1 volt/dyne/cm². The output level for 50 and 250 ohms shall be -55 db with 0 db equalling 1 mw/10 dynes/cm². RETMA sensitivity rating shall be -148 db for 50 ohms, -147 db for 250 ohms and -151 db for high impedance. The magnetic circuit shall be a nonwelded circuit and employ Alnico V and Armco magnetic iron.

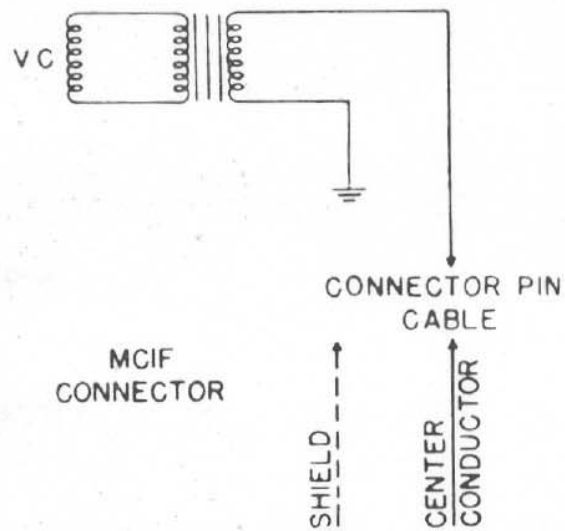
The case shall be of high-pressure die-cast zinc with satin chrome finish. The microphone shall have a maximum net weight of not more than 12 oz less cable. An 18 ft single-conductor shielded synthetic rubber jacketed cable for the microphone shall be provided. The microphone shall have a cable connector similar or equivalent to an MC-1 connector. The microphone shall include a stand coupler with a $\frac{5}{8}$ in. -27 thread on the stud and the head shall be tilted at a fixed angle of 22°.



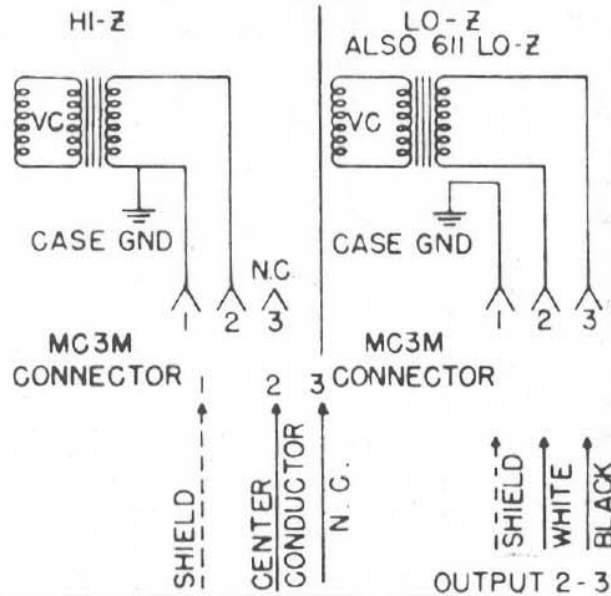
ELECTRO-VOICE, INC. / BUCHANAN, MICHIGAN

Electro-Voice MICROPHONE PHASING CHART

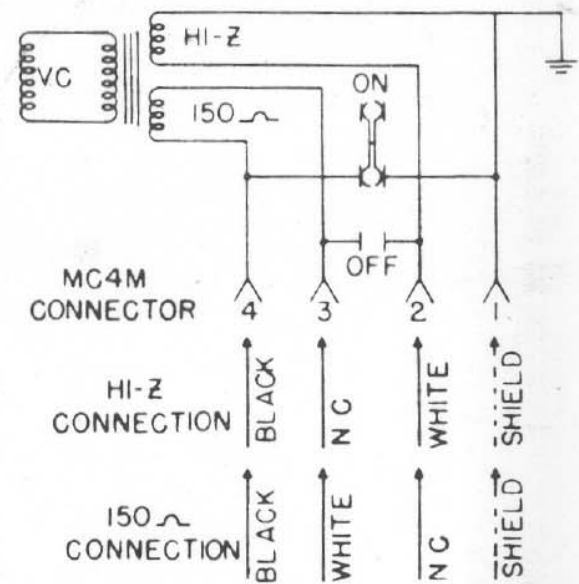
MODELS 605, 611, 615



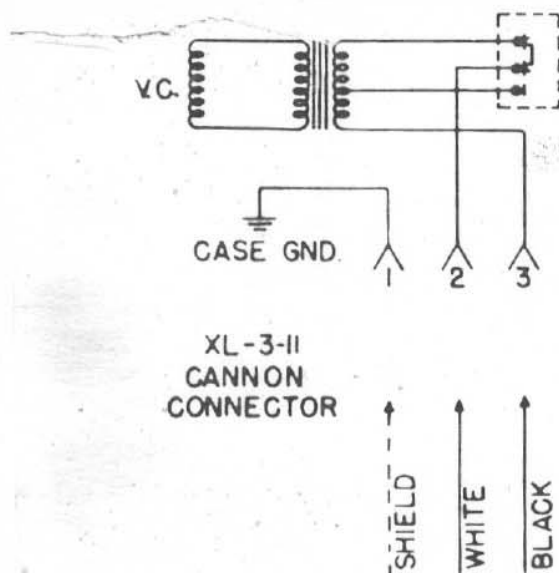
MODELS 630, V2A



MODEL 636



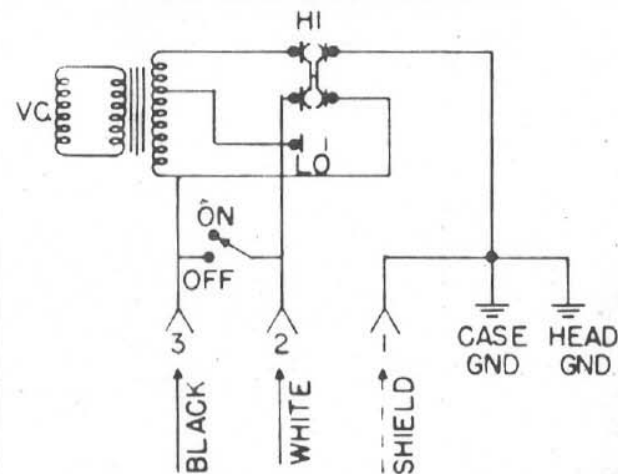
MODELS 635, 645, 650, 654



OUTPUT-PINS 2-3

ELECTRO-VOICE, INC. . . . BUCHANAN, MICHIGAN Litho in U.S.A.

MODELS 726, 731, V3

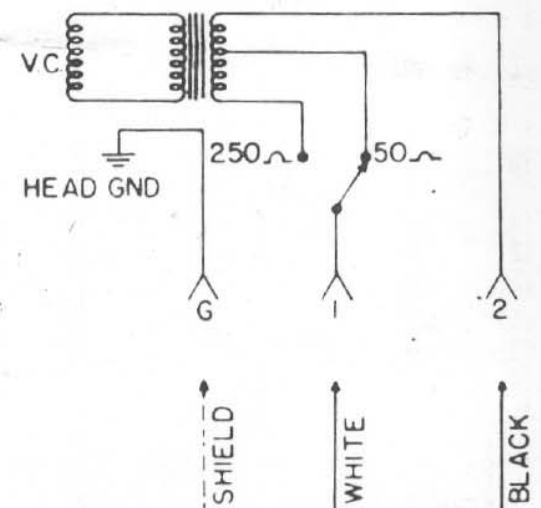


726 & V3 USE MC3M CONNECTOR

731 USE CANNON XL-3-II

HI-Z - PINS 1-2
LO-Z - PINS 2-3

MODEL 655



NOTE:

POSITIVE VOLTAGE WITH POSITIVE PRESSURE—
WHITE CABLE LEADS OR CENTER CONDUCTOR