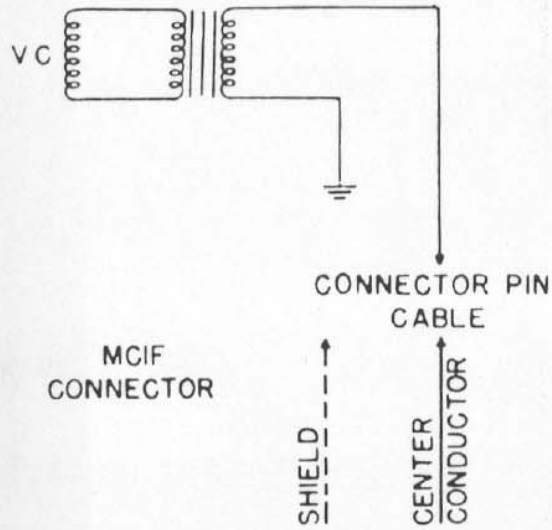
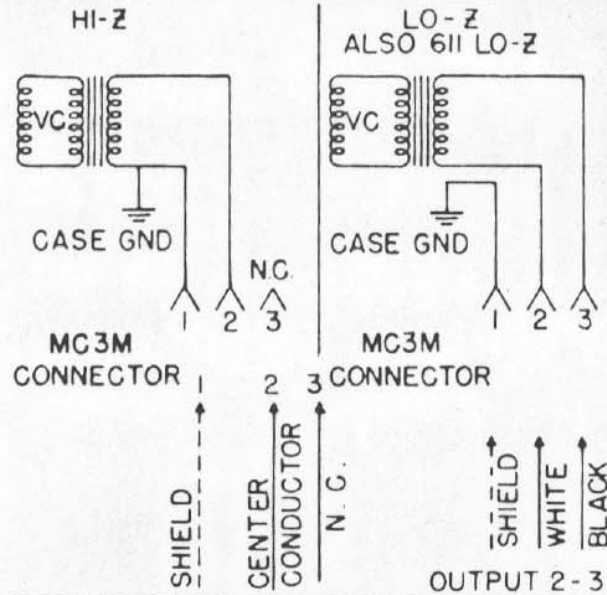


ElectroVoice MICROPHONE PHASING CHART

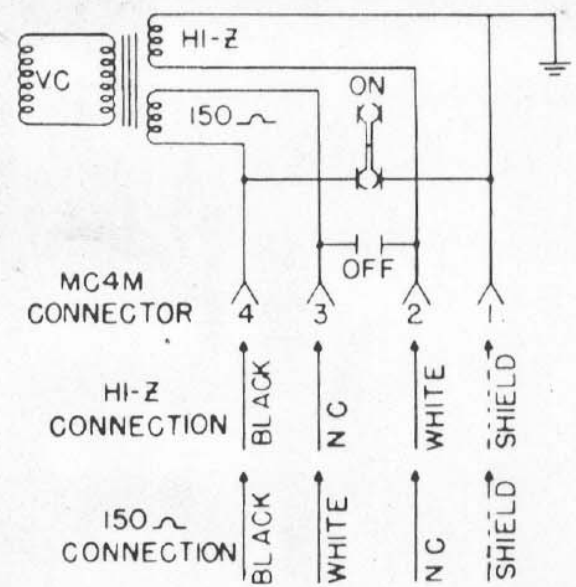
MODELS 605, 611, 615



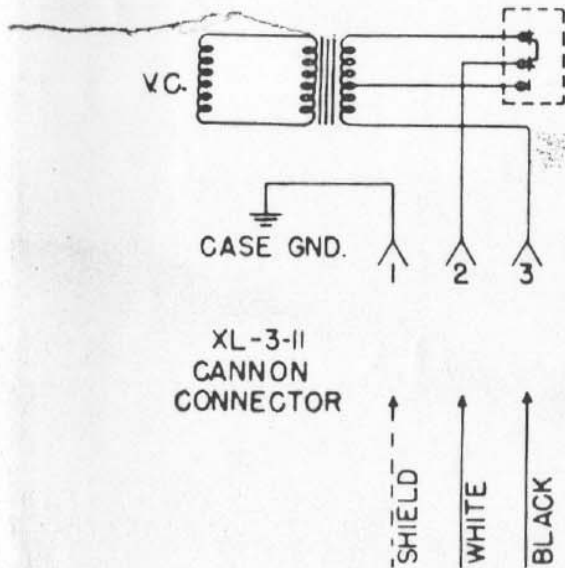
MODELS 630, V2A



MODEL 636

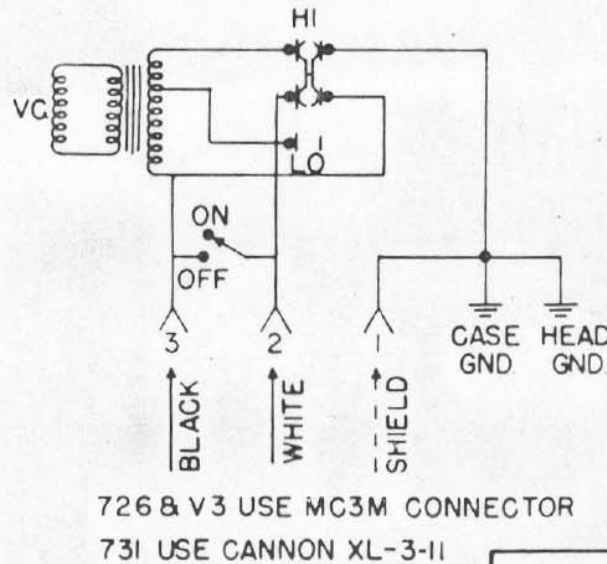


MODELS 635, 645, 650, 654



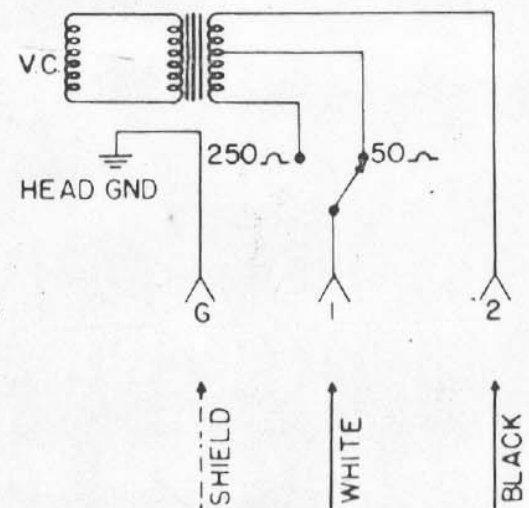
OUTPUT-PINS 2-3

MODELS 726, 731, V3



HI-Z - PINS 1-2
LO-Z - PINS 2-3

MODEL 655



NOTE:

POSITIVE VOLTAGE WITH POSITIVE PRESSURE—
WHITE CABLE LEADS OR CENTER CONDUCTOR