

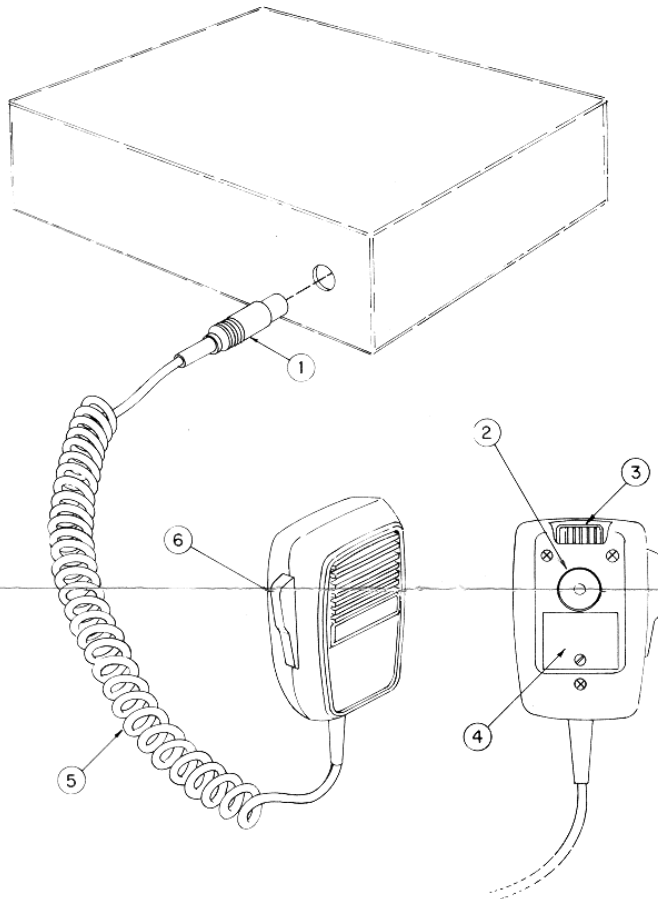


**INSTRUCTION
MANUAL**

ORDER NO. 611

Dynamic mobile power microphone

EO-0611-B-001



Key to Diagram

- 1. Connector
- 2. Hanging knob
- 3. Mic gain control
- 4. Battery compartment
- 5. Coiled cord
- 6. Push-to-talk button

General Description

This omnidirectional dynamic mobile power microphone comes completely assembled and ready to operate after installation of a seven-volt battery (not supplied).

The cable and connector assembly matches all Hy-Gain Hy-Range B series radio (670B, 671B, 672B, 673B, and 674B). For other styles the connector must be replaced.

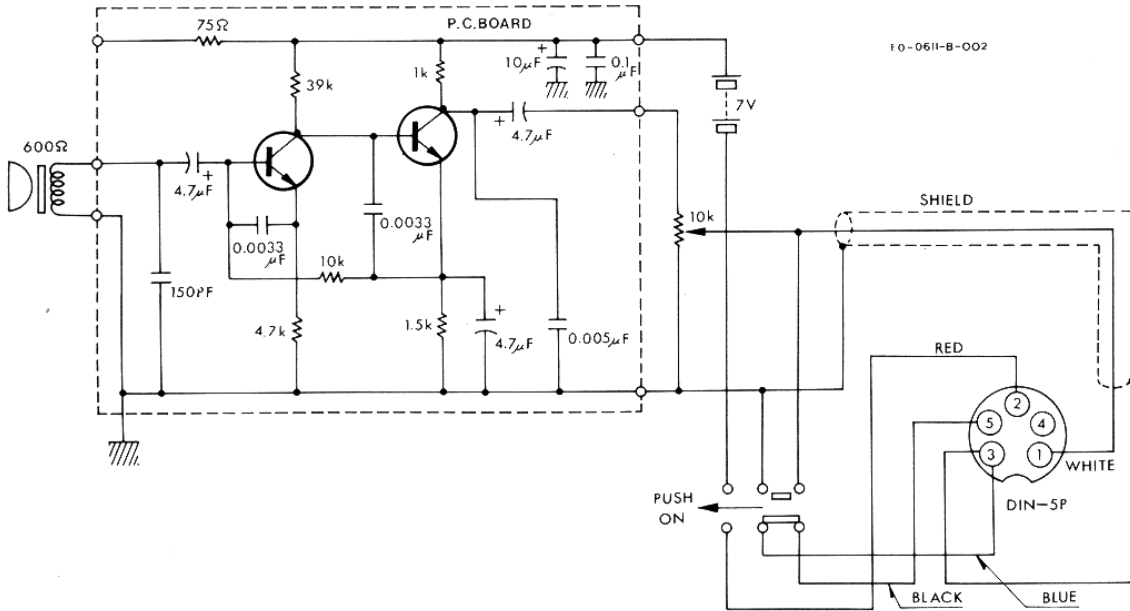
Operating Procedure

Find the battery compartment on the back of the microphone, (item 4). Loosen the screw to open it. Insert a 7-volt mercury battery (see specification list). Close the compartment. Plug the microphone into your radio. To transmit, depress the push-to-talk button, (item 6). Adjust the volume knob, (item 3). Finding the mic gain setting for transmitting will require on-the-air support from other operators. Speak in a normal voice at a comfortable distance from the microphone and ask other operators to let you know when the mic gain sounds best.

NOTE: The push-to-talk button must be released in order to receive.

Specifications

Output level-42 dB
 Output impedance900 ohms
 Preamp voltage gain 26 dB
 Current maximum 1.5 mA
 Power source 7-volt, mercury battery (Eveready No. E-175 or equivalent)



90-DAY LIMITED WARRANTY

Hy-Gain Electronics Corporation warrants each new product manufactured to be free from defects in material and workmanship and agrees to remedy any such defect or to furnish a new part in exchange for any part of any unit which under normal installation, use, and service, discloses such defect within the ninety-day term of this warranty, dated from the date of purchase by the original owner. This warranty applies only to the original purchaser.

This warranty does not extend to any of our products which have been subjected to mis-use, neglect, accident, incorrect wiring not our own, improper installation, or to use in violation of instructions furnished by us. Nor does it extend to units which have been repaired or altered outside of our factory, nor to accessories used therewith not of our own manufacture.

Upon receipt of equipment, the purchaser is responsible for checking the contents for damage. Any shipping damage should be referred to the carrier.

Hy-Gain Electronics Corporation reserved the right to make any changes deemed necessary or desirable without advance notice or incurring any obligation to make like changes in units previously manufactured or sold.

This warranty does not cover transportation costs that may be incurred. Hy-Gain Electronics Corporation's sole liability is the remedy of any defect for the ninety-day period of this warranty. Hy-Gain Electronics Corporation is not responsible for personal injury or property damage resulting from improper or careless installation, or usage not intended by the manufacturer.

No person is authorized to assume for us any other liability in connection with the sale of our products.

All warranties are void and terminated one year after the last unit of its type and design has been manufactured by us.

All claims of defect or shortage should be addressed to:

Hy-Gain Warranty Service
 Hy-Gain Electronics Corporation
 4900 Superior Ave.
 Lincoln, Nebraska 68504

You must furnish model number, date, place, and proof of purchase, such as a copy of the sales receipt to establish warranty. Your letter should include all pertinent details along with part or item numbers involved. Do not return anything until requested to do so. No warranty card is furnished; you must supply the above information:

Any returned items must have prior authorization. Unexpected returns are greatly delayed in handling. These delays can be avoided by writing in advance and furnishing the necessary information.