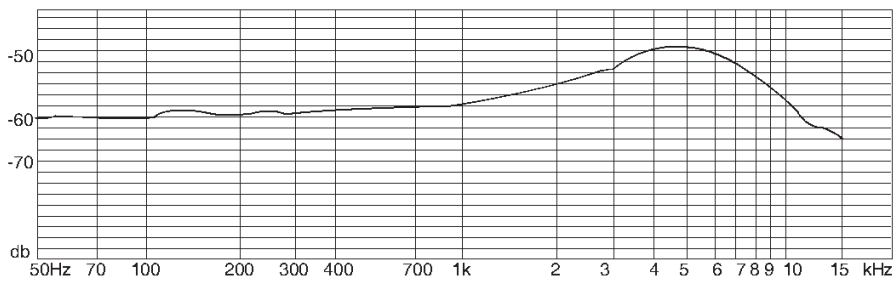
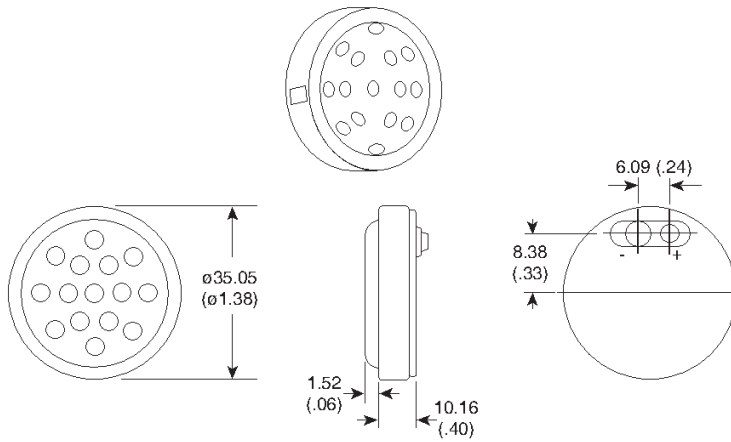


Part Number:

25LM022

Crystal Microphone



KT-400023

Electrical Specifications:

- Sensitivity: -55dB @ 1KHz
- Response: 50-8KHz
- Impedance: 25K Ω

Materials:

- Case: aluminum / steel
- Weight: 4.5g