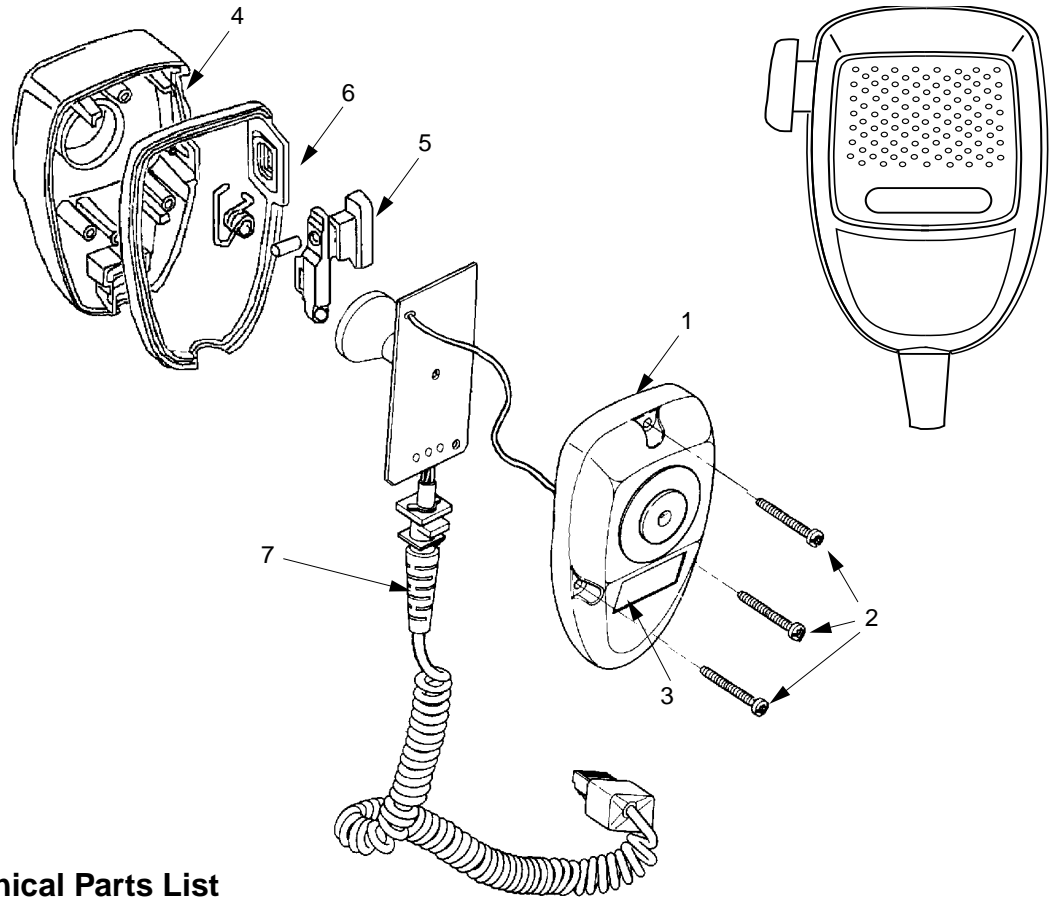


**2.3 Enhanced Compact Microphone GMN6146
Mechanical Exploded View**

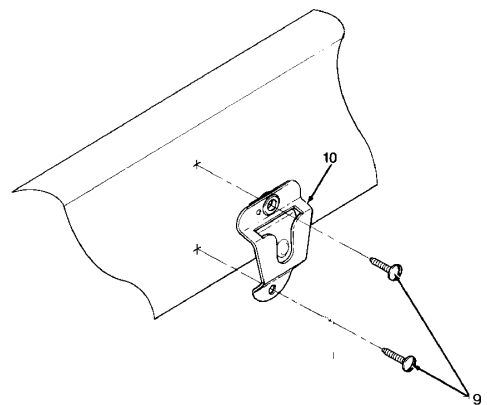


Mechanical Parts List

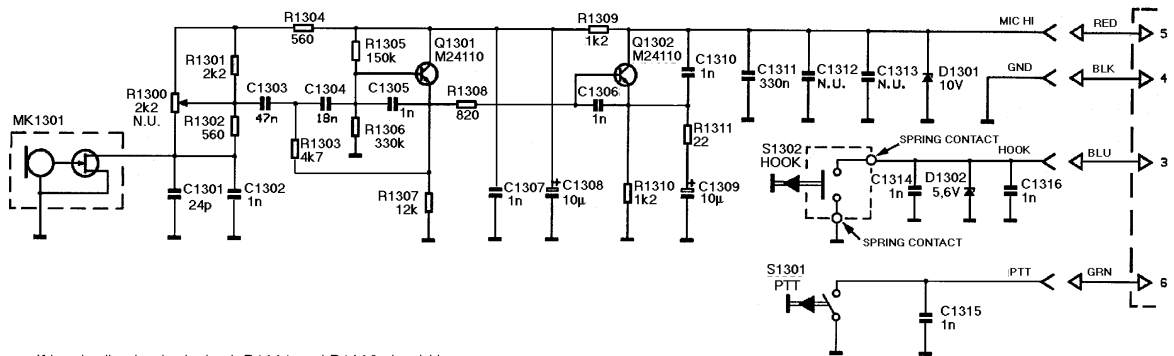
<i>Ref No.</i>	<i>Motorola Part No.</i>	<i>Description</i>	<i>Ref No.</i>	<i>Motorola Part No.</i>	<i>Description</i>
1	0180704Y99	Rear Housing assembly	5	3880568B01	PTT Button
2	0311994A23	Screw (3 used)		7580983Z03	Rubber Spacer
3	5480104R12	Model Label (GMN6146C)		4180150R01	Spring Tension
	5480104R02	Model Label (GMN6146B)	6	3280565B01	Gasket MIC
4	1580566B02	Front Housing	7	3002593Y02	Coiled Cord

Hang-Up Clip Parts List

<i>Ref No.</i>	<i>Motorola Part No.</i>	<i>Description</i>
9	03-00139913	Screw, 8-18x1/2 (3 used)
10	01-80743T91	Hang-up clip



Schematic Diagram



If level adjusting is desired, R1301 and R1302 should be taken out and be replaced by R1300 (p/n 1805500L04).

GEPD 5468

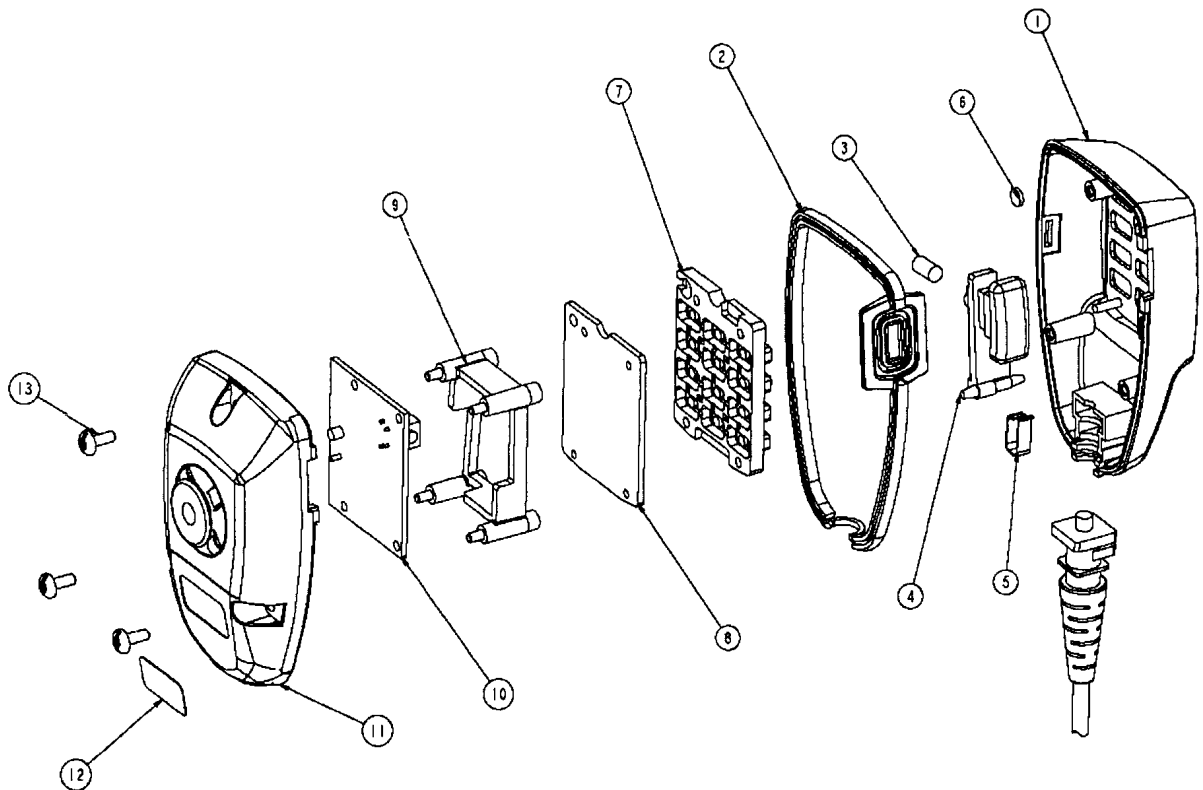
Kit No. GMN6146C

Electrical Parts Lists

Circuit Ref	Motorola Part No.	Description
R1300	1805500L04	RES VAR 2.2k (not used)
R1301	0660076A57	RES CHIP 2.2k 5 1/8
R1302	0660076A43	RES CHIP 560 5 1/8
R1303	0660076A65	RES CHIP 4.7k 5 1/8
R1304	0660076A43	RES CHIP 560 5 1/8
R1305	0660076B05	RES CHIP 150k 5 1/8
R1306	0660076B13	RES CHIP 330k 5 1/8
R1307	0660076A75	RES CHIP 12k 5 1/8
R1308	0660076A47	RES CHIP 820 5 1/8
R1309	0660076A51	RES CHIP 1.2k 5 1/8
R1310	0660076A51	RES CHIP 1.2k 5 1/8
C1301	2113740A38	CAP CHIP CL1 24p
C1302	2113741A21	CAP CHIP CL2 X7R 1n
C1303	2113741A61	CAP CHIP CL2 X7R 47n
C1304	2113741A51	CAP CHIP CL2 X7R 18n
C1305	2113741A21	CAP CHIP CL2 X7R 1n

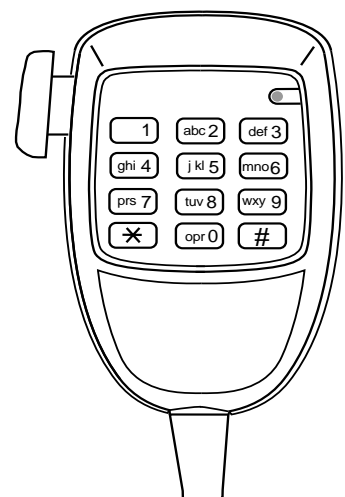
Circuit Ref	Motorola Part No.	Description
C1306	2113741A21	CAP CHIP CL2 X7R 1n
C1307	2113741A21	CAP CHIP CL2 X7R 1n
C1308	2311049J26	CAP TANT CHIP 10uF 16V
C1309	2311049J26	CAP TANT CHIP 10uF 16V
C1310	2113741A21	CAP CHIP CL2 X7R 1n
C1311	2113743F12	CER CHIP CAP 330n
C1314	2113741A21	CAP CHIP CL2 X7R 1n
C1315	2113741A21	CAP CHIP CL2 X7R 1n
C1316	2113741A21	CAP CHIP CL2 X7R 1n
Q1301	4813824A10	XSTR NPN 40V .2A
Q1302	4813824A10	XSTR NPN 40V .2A
D1301	4880140L15	DIODE SOT ZENER 10V
D1302	4880140L07	DIODE SOT ZENER 5.6V
	4080164S01	SWITCH,PTT
	5080258E04	ELECTRET MIC CTRG
	8402571Y01	PCB RENA MIC BLK

2.4 DTMF Microphone GMN6148 Mechanical Exploded View

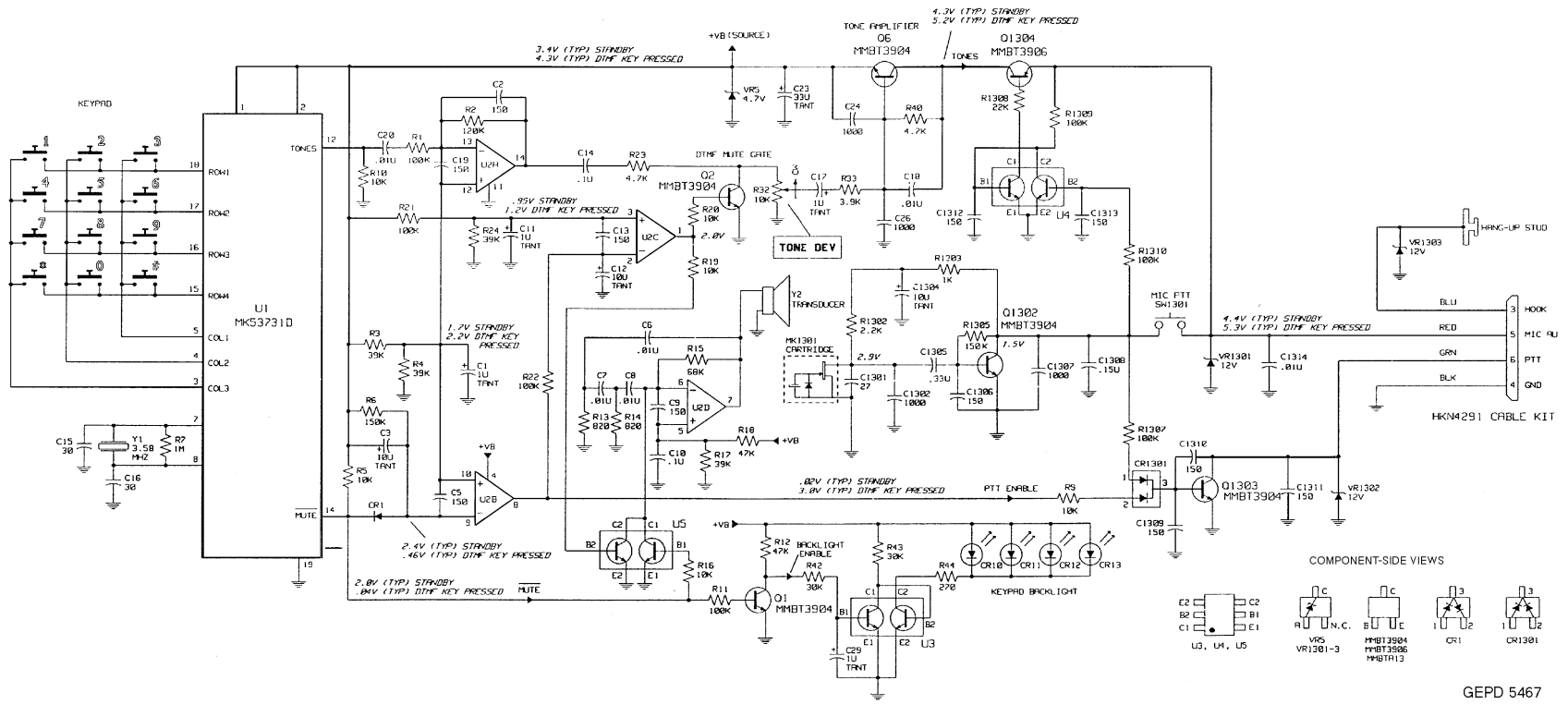


Mechanical Parts List

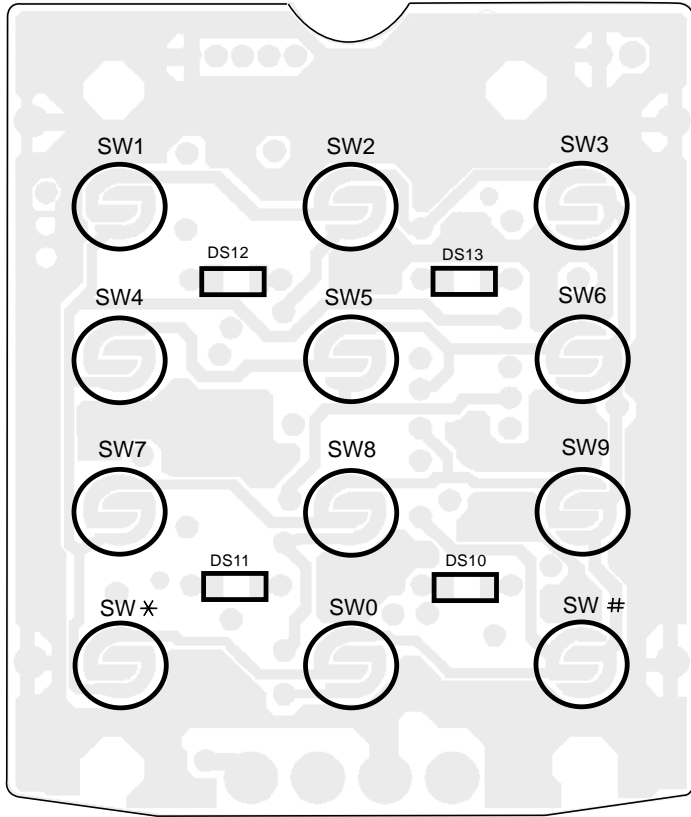
Ref No.	Motorola Part No.	Description
1	15-80652D02	Microphone front housing
2	32-80565B01	Microphone gasket
3	75-80983Z03	Rubber Spacer, Switch
4	38-80654D01	Button, push to talk
5	41-80658D01	Spring, PTT
6	35-80089D02	Felt baffle
7	75-80655D01	Keypad
8	01-80707Y77	DTMF Encoder board assy
9	42-80656D01	Spacer
10	01-80707Y78	Switch/Sidetone board assy
11	01C80669D01	Microphone rear Housing
12	54-80104R10	Mic label
13	03-139959	Screw, thread forming



Schematic Diagram

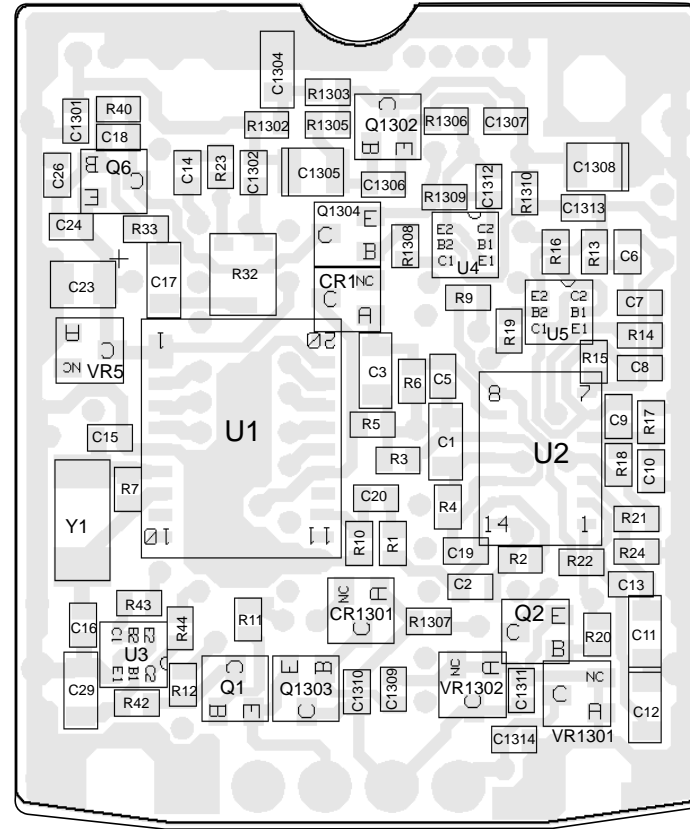


GEPD 5467
Kit No. GMN6148A



8402685Y01 GEPD 5470

SHOWN FROM SOLDER SIDE



8402685Y01 GEPD 5469

SHOWN FROM COMPONENT SIDE

PCB Layout

Electrical Parts List

GMN6148_

Circuit Ref	Motorola Part No.	Description	Circuit Ref	Motorola Part No.	Description
C1	23-11049A07	1uF; 16V, 10%, TANT	CR12	48-83636N18	LED; GREEN, SMD
C2	21-13740A73	560pF	CR13	48-83636N18	LED; GREEN, SMD
C3	23-11049A59	10uF; 6V,10%, TANT	CR1301	48-13833C04	BAV70LT1
C5	21-13740A59	150pF	Q1	4880214G02	MMBT 3904
C6	21-13741A45	0.01uF	Q2	4880214G02	MMBT 3904
C7	21-13741A45	0.01uF	Q6	4880214G02	MMBT 3904
C8	21-13741A45	0.01uF	Q1302	48-80214G02	MMBT 3904
C9	21-13740A59	150pF	Q1303	48-05128M19	MMBTA 13
C10	21-60521G37	0.1uF	Q1304	48-05128M16	MMBT 3906
C11	23-11049A07	1uF; TANT	R1	06-60076B01	100K
C13	21-13740A59	150pF	R2	06-60076B03	120K
C14	21-60521G37	0.1uF	R3	06-60076A87	39K
C15	21-13740A40	30pF	R4	06-60076A87	39K
C16	21-13740A40	30pF	R5	06-60076A73	10K
C17	23-11049A07	1uF; TANT	R6	06-60076B05	150K
C18	21-13741A45	0.01uF	R7	06-60076B25	1Meg
C19	21-13740A59	150pF	R9	06-60076B01	100K
C20	21-13741A45	0.01uF	R10	06-60076A73	10K
C23	23-11049A30	33uF, 6V, 10%, TANT	R11	06-60076B01	100K
C24	21-13740A79	1000pF	R12	06-60076A89	47K
C26	21-13740A79	1000pF	R13	06-60076A47	820
C29	23-11049A07	1uF; TANT	R14	06-60076A47	820
C1301	21-13740A39	27pF, 50V, NPO.	R15	06-60076A93	68K
C1302	21-13740A79	1000pF	R16	06-60076A73	10K
C1304	23-11049A59	10uF; 6V, 10%, TANT	R17	06-60076A87	39K
C1305	21-13743B23	0.330uF	R18	06-60076A89	47K
C1306	21-13740A59	150pF	R19	06-60076A73	10K
C1307	21-13740A79	1000pF	R20	06-60076A73	10K
C1308	21-11032B14	0.15uF	R21	06-60076B01	100K
C1309	21-13740A59	150pF	R22	06-60076A89	47K
C1310	21-13740A59	150pF	R23	06-60076A65	4.7K
C1311	21-13740A59	150pF	R24	06-60076A87	39K
C1312	21-13740A59	150pF	R32	18-60502A13	10K VAR; SMD
C1313	21-13740A59	150pF	R33	06-60076A63	3.9K
C1314	21-13741A45	0.01uF	R40	06-60076A65	4.7K
CR1	48-84336R03	MMBD 7000	R42	06-60076A84	30K
CR10	48-83636N18	LED; GREEN, SMD	R43	06-60076A84	30K
CR11	48-83636N18	LED; GREEN, SMD	R44	06-60076A25	100

GMN6148_ continued,

Circuit Ref	Motorola Part No.	Description	Circuit Ref	Motorola Part No.	Description
R1302	06-60076A57	2.2K; 5%, 1/8W	VR5	48-80140L05	4.7V; 5%, ZENER
R1303	06-60076A49	1K; 5%, 1/8W	VR1301	48-80140L17	12V; 5%, ZENER
R1305	06-60076B05	150K; 5%, 1/8W	VR1302	48-80140L17	12V; 5%, ZENER
R1306	06-60076M01	0; RES. JUMPER	Y1	48-80915W02	3.58 MHZ Resonator
R1307	06-60076B01	100K; 5%, 1/8W	Y2	50-80121L01	Transducer
R1308	06-60076A81	22K; 5%, 1/8W		50-13920A04	ADHESIVE, MIC SHIELD, DTMF ENCODER
R1309	06-60076B01	100K; 5%, 1/8W		30-02593Y02	COIL CORD W. IP54 BOOT
R1310	06-60076B01	100K; 5%, 1/8W		84-02685Y01	Circuit Board EURO DTMF MIC
SW1301	40-80164S01	SWITCH, PTT		84-80661D01	Circuit Board, Switch/sidetone
U1	51-80662D01	MK53731D DTMF DIALER I.C.			
U2	51-13819A02	LM2902D OPAMP			
U3 to U5	51-80159R01	DUAL TRANSISTOR; IMX1			

2.5 Base Tray GLN7318/GLN7326

Mechanical Parts List

Ref No.	Motorola Part No.	Description
1	1580155J02	Base housing
2	7510606A06	Bumper RBR black
3	0384725C09	Screw 4.2x16
4	4205722C02	Clamp fastener
5	1580154J02	Cover base housing
6	7510606A13	Bumper black
	5080085D03	Speaker (GLN7326)
		<i>Not shown</i>

