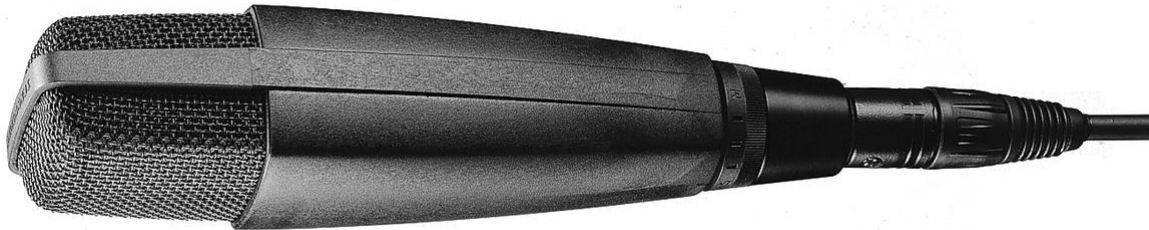




## MD 421-II

### Dynamic microphone



The MD 421 II is one of the best known microphones in the world. Its excellent sound qualities enable it to cope with the most diverse recording conditions and broadcasting applications. The five position bass control enhances its 'all-round' qualities.

#### FEATURES

- Rugged professional microphone
- Five position bass roll-off switch
- Effective feedback rejection
- Clear sound reproduction
- Easy handling due to pronounced directivity

#### DELIVERY INCLUDES

- Microphone MD 421-II
- Microphone clamp for 3/8" thread
- Instruction manual

#### PRODUCT INFORMATION

**MD 421-II**

Art. no. 000984

**MZA 421**

Art. no. 576103





# MD 421-II

## Dynamic microphone

### ACCESSORIES

**MZT 100**

Art. no. 001883

**MZW 421**

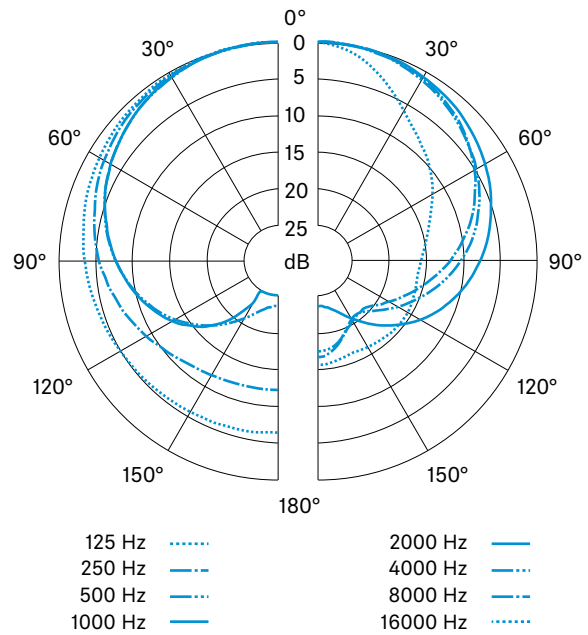
Art. no. 000536



### SPECIFICATIONS

Frequency response	30 – 17,000 Hz
Transducer principle	pressure gradient transducer
Pick-up pattern	cardioid
Max. rejection at 180°	18 – 2 dB
Free-field open-circuit sensitivity	2 mV/Pa (= -54 dBV) ±2.5 dB
Electrical impedance	200 Ω
Min. terminating impedance	200 Ω
Insensitivity to magnetic field at 50 Hz	< 5 μV / 5 μT
Dimensions	215 x 46 x 49 mm
Weight	approx. 385 g
Connector	XLR-3

### POLAR PATTERN



### FREQUENCY RESPONSE

