



MD 421-II



Quick Guide

Kurzanleitung
 Guide de démarrage rapide
 Guida rapida
 Instrucciones resumidas
 Instruções resumidas
 Beknopte gebruiksaanwijzing
 Krótka instrukcja obsługi
 Snabbguide

Kort vejledning
 Pikaohje
 Γρήγορος οδηγός
 Kısa Kılavuz
 Краткая инструкция
 快速指南
 快速使用指南
 クイックガイド
 퀵 가이드

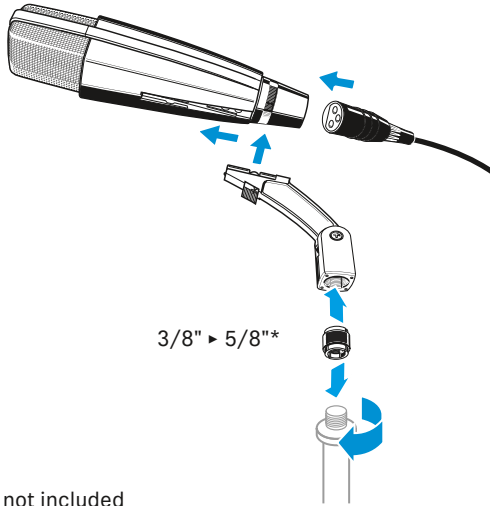
Sennheiser electronic GmbH & Co. KG

Am Labor 1, 30900 Wedemark, Germany
www.sennheiser.com

Printed in Germany
Publ. 11/22, 597221/A01

SENNHEISER

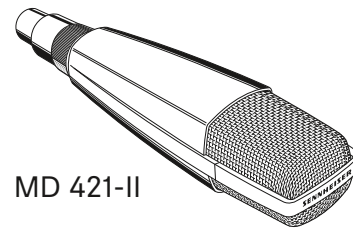
Setup



3/8" ▶ 5/8"*

*XLR-3 cable not included

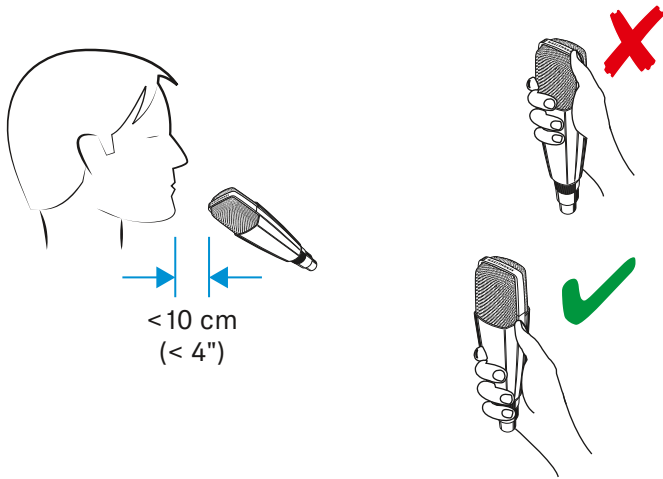
In the box



MD 421-II



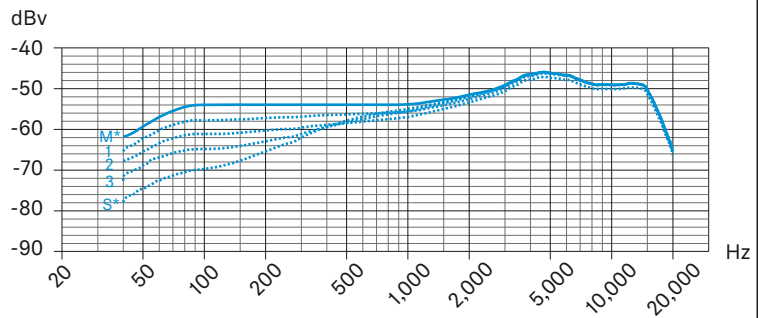
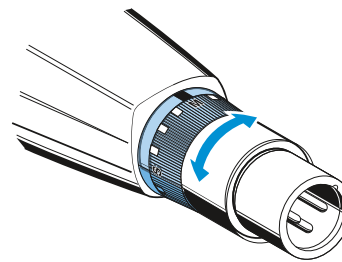
MZA 421



< 10 cm
(< 4")

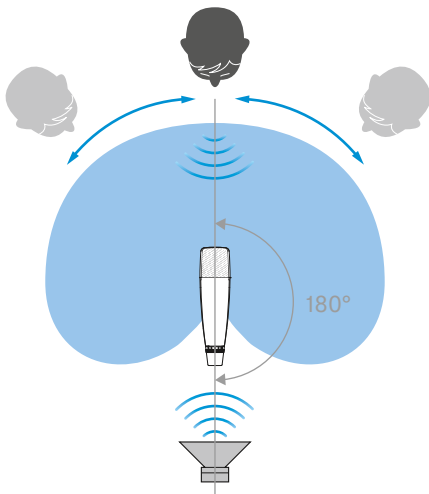
Setup

Roll-off filter

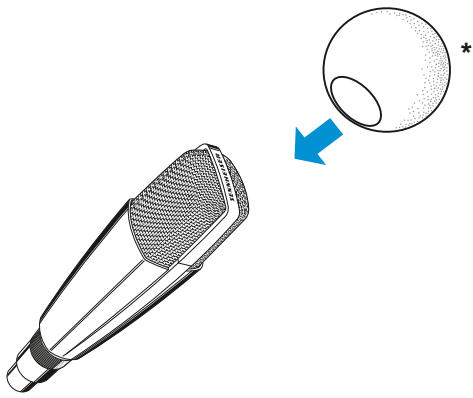


M* = ———
 1 = - - - -
 2 =
 3 = - . - . -
 S* = - . - . .

M* = music S* = speech

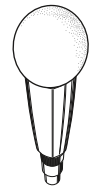
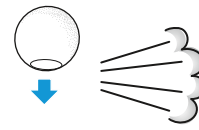


Accessory



MD 421-II

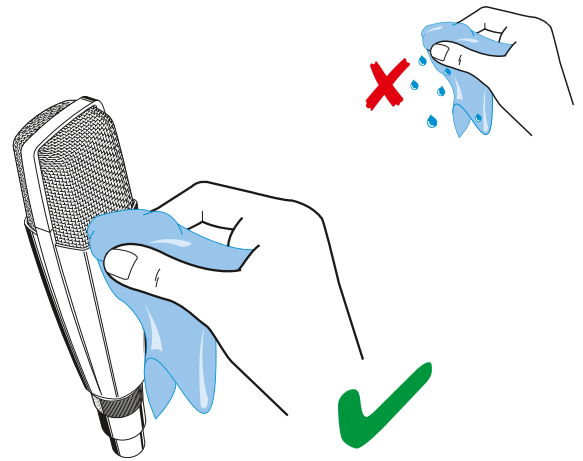
MZW 421



-20 dB

*MZW 421 not included

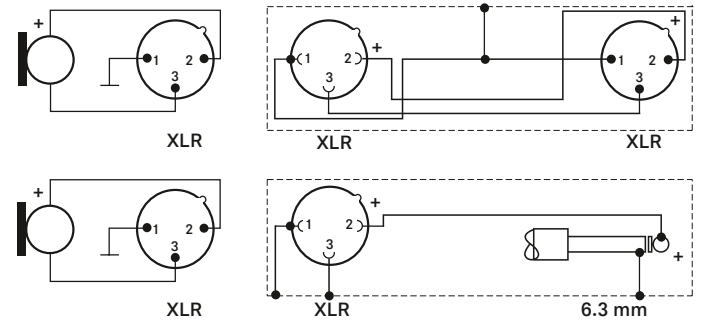
Cleaning



Specifications

Transducer principle	Pressure gradient transducer
Frequency response	30 - 17,000 Hz
Pick-up pattern	Cardioid
Sensitivity (free field, at 1 kHz)	2 mV/Pa ±3 dB
Electrical impedance	250 Ω
Min. terminating impedance	1 kΩ
Connector	XLR-3
Dimensions	215 x 46 x 49 mm
Weight	approx. 385 g

Connector assignment



Polar pattern and frequency response

