

---

## General Description



The Model 522 is a dynamic base-station microphone for radio communications, paging, and dispatching systems. Its cardioid (unidirectional) pickup pattern suppresses unwanted background noise from nearby dispatchers, ventilating equipment, or office machines. It also can reduce feedback in public address paging applications.

### Features

- Dual impedance (19 to 300 ohms or High)
- Impedance change switch for convenient change-over
- Finger-tip control bar (locking or non-locking action) to actuate microphone circuit and an external relay or control circuit
- Long-life switch to satisfy rigorous requirements of communications and paging systems
- Sturdy, high impact ARMO-DUR® , base and microphone case
- Adjustable microphone height
- Dependable under most operating conditions

---

## Press-To-Talk Switch Operation

Press and hold the bar switch to talk. To lock the switch, press and pull it forward. To unlock the switch, move the bar back and release.

---

## Impedance Selection

Use the switch located under the microphone base, near the cable entry, to select high (HI) or low (LO) impedance.

Use the low-impedance position for long cable lengths under conditions of severe hum disturbance. Use Shure Model A95 Series Line Matching Transformers when using a low-impedance microphone line with a high-impedance amplifier input.

---

## Logic Connections

The RED and BLACK leads may be used to control an external relay or switching circuit.

---

## Audio Connections

### Unbalanced high-impedance operation:

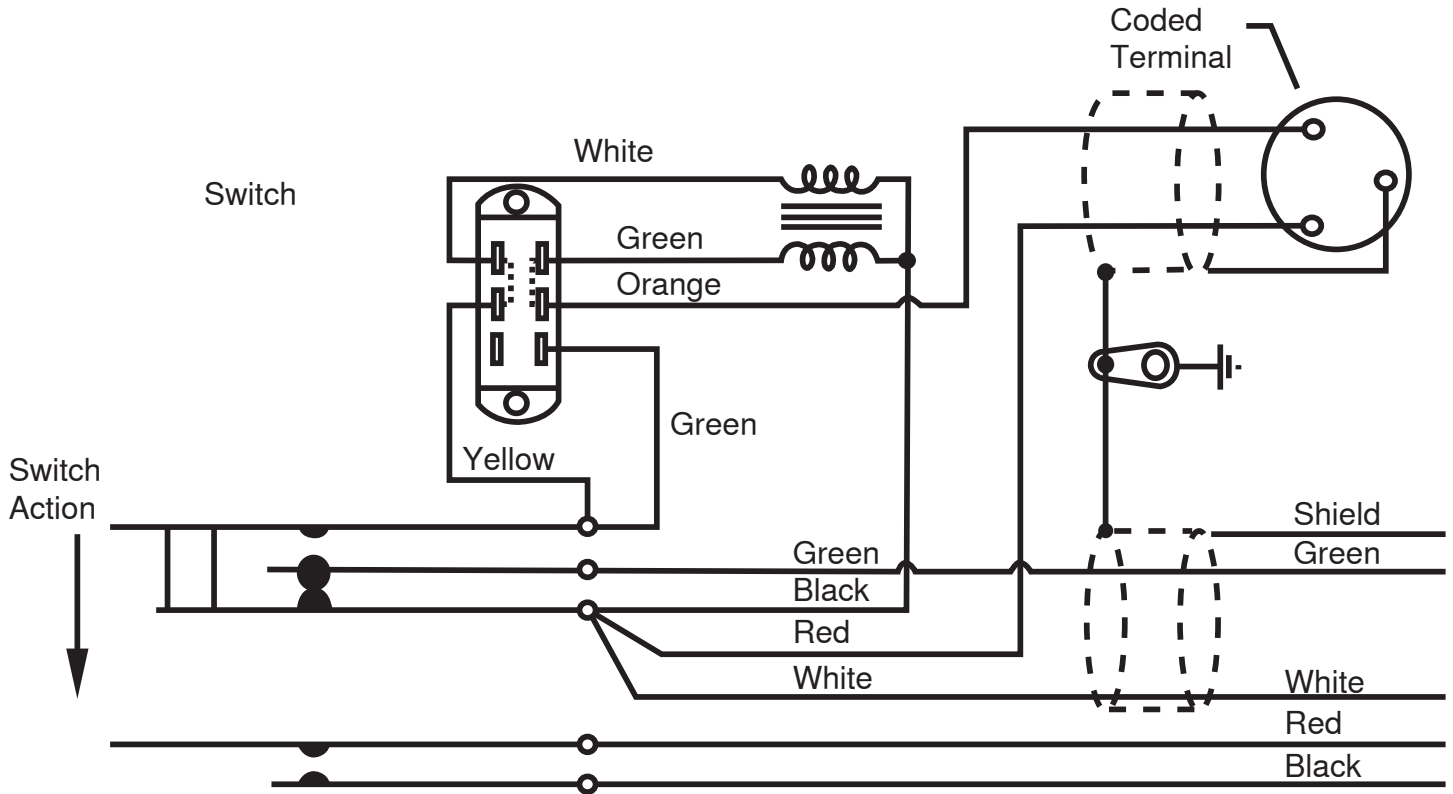
Set the impedance switch to the HI position (as shipped). Connect the GREEN cable lead and the shield to the amplifier chassis ground. The WHITE cable lead is the "hot" conductor.

### Balanced-line low-impedance operation:

Set the impedance switch to the LO position. Connect the shield to the amplifier chassis ground. The WHITE and GREEN cable leads are the "hot" conductors.

Input Type	Wire Color	Function	XLR Connector	1/4 in. Phone Plug
Unbalanced	White	Audio	Pin 2	Tip
	Green	Audio Ground	Pin 3	Sleeve
	Shield	Chassis Ground	Pin 1	Sleeve

Input Type	Wire Color	Function	XLR Connector	1/4 in. Phone Plug
Balanced	White	Audio +	Pin 2	Tip
	Green	Audio -	Pin 3	Ring
	Shield	Chassis Ground	Pin 1	Sleeve



## Specifications

### Type

Dynamic (moving coil)

### Frequency Response

60 to 11,000 Hz

### Polar Pattern

Cardioid

### Impedance

150 Ω (260 Ω actual)

### Sensitivity

at 1kHz, open circuit voltage

LOW	-57.5 dB (1.3 mV)
HIGH	-38.5 dB (12 mV)[1]

**Switch**

Press-to-Talk Switch	lockable, for microphone and an external relay or control circuit. Microphone circuit normally shorted in both high and low impedance.
Impedance Selection Switch	provides either high- or low-impedance operation.

**Cartridge Shock Mount**

Internal rubber vibration isolator

**Cable**

2.1 m (7 ft) four-conductor, two conductors shielded non-detachable

**Housing**

Two-tone gray ARMO-DUR, with dull-chrome-plated steel screen

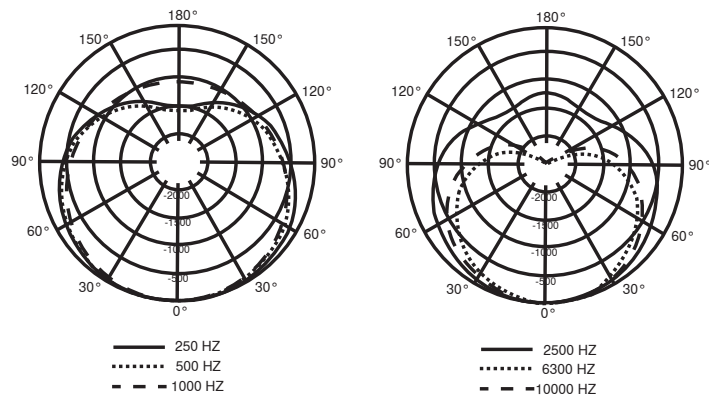
**Net Weight**

736 g (1 lb 10 oz.)

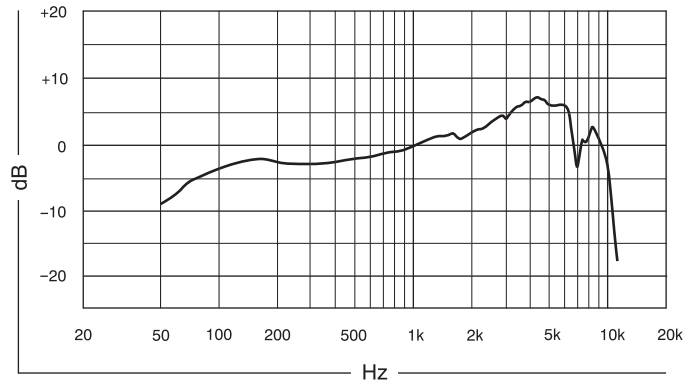
**Shipping Weight**

1020 g (2 lb 4 oz.)

0

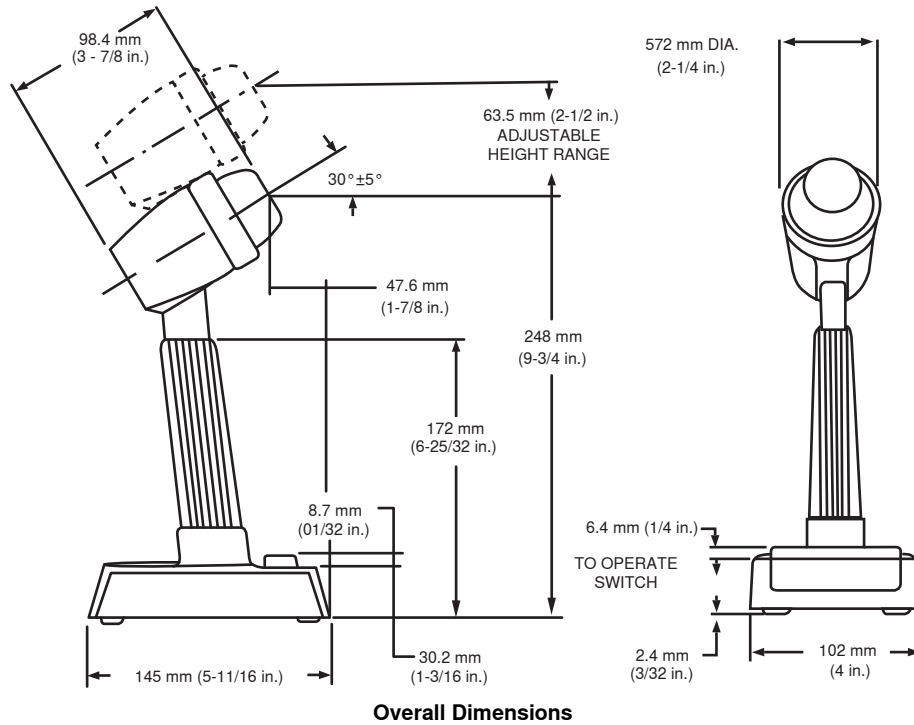


**Typical Polar Pattern**



**Typical Frequency Response**

<sup>0</sup> [1] 1 Pa = 94 dB SPL



## Accessories

### Replacement Parts

Cable	C31C
On-Off Switch	K141S

## Certifications

This product meets the Essential Requirements of all relevant European directives and is eligible for CE marking.

The CE Declaration of Conformity can be obtained from:  
[www.shure.com/europe/compliance](http://www.shure.com/europe/compliance)

Authorized European representative:  
 Shure Europe GmbH  
 Headquarters Europe, Middle East & Africa  
 Department: EMEA Approval  
 Jakob-Dieffenbacher-Str. 12  
 75031 Eppingen, Germany  
 Phone: +49-7262-92 49 0  
 Fax: +49-7262-92 49 11 4  
 Email: [info@shure.de](mailto:info@shure.de)