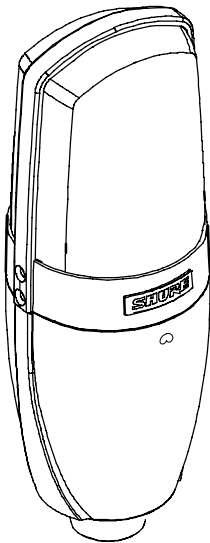


User Guide

KSM27



SHURE INCORPORATED
KSM27 CARDIOID CONDENSER MICROPHONE



Thank you for selecting the KSM27
Over 75 years of audio experience has contributed to making the KSM27
one of the finest microphones available.

If you have any questions that are not answered in this booklet, please contact Shure Applications Engineering at 847-600-8440, Monday through Friday, from 8:00 am to 4:30 pm, CST. In Europe, call 49-7131-72140. Our web address is www.shure.com.

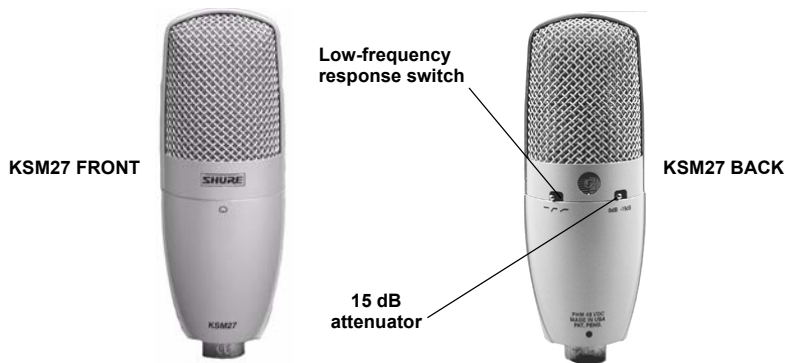


FIGURE 1. KSM27 FRONT AND BACK

GENERAL DESCRIPTION

The Shure® KSM27 is a side-address condenser microphone with a cardioid polar pattern. Designed for studio use but rugged enough for live applications, the KSM27 has an externally biased 1-inch diaphragm, extremely low self-noise, and an extended frequency response specially tailored for vocal tracking and instrument recording.

FEATURES

- *Cardioid polar pattern - the most commonly used pattern for both studio and live applications*
- *1 inch, externally biased, ultra-thin, 2.5 μm , 24 Karat gold-layered, low mass, Mylar® diaphragm provides superior transient response*
- *Class A, discrete, transformerless preamplifier for transparency, extremely fast transient response and no crossover distortion, while minimizing harmonic and intermodulation distortions*
- *Premium electronic components and gold-plated internal and external connectors*
- *Subsonic filter eliminates rumble from mechanical vibration below 17 Hz*
- *Switchable 15 dB pad for handling extremely high sound pressure levels (SPLs)*
- *3-position switchable low-frequency filter helps reduce unwanted background noise or counteract proximity effect*
- *Integrated three-stage “pop” protection grille reduces plosives and other breath noise*
- *Internal shock mount reduces handling and stand noise*

PERFORMANCE CHARACTERISTICS

- *Extended frequency response*
- *Low self noise*
- *Exceptional low-frequency reproduction*
- *High output level*
- *High input SPL capability*
- *No crossover distortion*
- *Extremely uniform polar response*
- *Superior common mode rejection and suppression of radio frequency interference*

APPLICATIONS

The KSM27 produces superior results in any application requiring a high quality microphone. Typical applications include:

- *Voice and vocals*
- *Close-miking of acoustic instruments such as piano, guitar, violins, drums, and percussion*
- *Electric guitar amplifiers*
- *Brass and woodwind instruments*
- *Low-frequency instruments such as double bass and kick drum*
- *Overhead miking for drums or percussion*
- *Orchestras, choirs, wind ensembles*
- *Room ambience pick-up (guitar amplifier or drums)*

NOTE: Sound quality is strongly affected by microphone location and room acoustics. To achieve the best overall sound for a particular application, it may be necessary to experiment with microphone placement and various room treatments.

OPERATING THE KSM27


Mounting


Use the shock mount to secure the KSM27 to a floor or boom stand by threading the shock mount onto the microphone stand and inserting/threading the microphone into the shock mount.

Power

The KSM27 requires phantom power and performs optimally with a 48 Vdc supply (IEC-268-15/DIN 45 596). However, it will operate with slightly decreased headroom and sensitivity with supplies as low as 11 Vdc. Most modern mixers provide phantom power. Phantom power can only be transmitted to the KSM27 through a cable terminated with XLR connectors at each end.

Positioning the Microphone

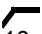
The front of the KSM27 is marked by the **SHURE**® logo. See Figure 1. Position this side of the microphone toward the sound source to be recorded. The rear of the microphone is marked by the  logo, the low-frequency filter switch and the 15dB attenuation switch.

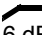
 **Cardioid.** Picks up sounds directly in front of the microphone and is least sensitive to those in back. Cardioid is the most commonly used polar pattern in studio recording and live-sound applications. See Figure 5.

Selecting Low-Frequency Response

A three-position switch on the back of the KSM27 lets you adjust the low-frequency response of the microphone. The low-frequency filter settings can be used to reduce wind noise, room noise or proximity effect. Since the microphone will reproduce ultra-low frequencies, the rubber isolated shock mount should be used to reduce low-frequency mechanical vibrations transmitted through the microphone stand.

— **Flat response.** Provides the most natural sound in most applications.

 **Low-frequency cutoff.** Provides an 18 dB-per-octave cutoff at 80 Hz. Helps eliminate floor rumble and low-frequency room noise from heating and air conditioning systems. This setting may also be used to compensate for proximity effect or to reduce low frequencies that make an instrument sound dull or muddy.

 **Low-Frequency Rolloff.** Provides a 6 dB-per-octave rolloff filter at 115Hz. Use this to compensate for proximity effect or to reduce low frequencies that could make an instrument sound dull or muddy.

Setting Attenuation

The attenuation switch on the back of the KSM27 reduces the signal level from the cartridge by 15 dB without altering the frequency response. This can prevent extremely high SPLs (ie. close miked drums and guitar cabinets) from overloading the microphone. To activate attenuation, move the switch to the “-15 dB” position.

0 dB - Use this switch for “quiet” to “normal” sound levels.

-15 dB - Use this switch position when in close proximity with extremely loud sound sources such as kick drum, snare drum, or loud guitar cabinets.

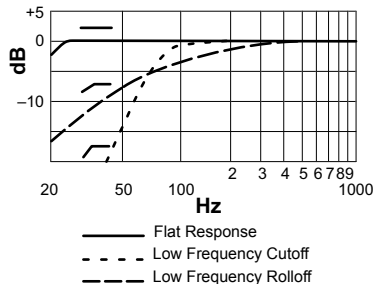


FIGURE 2. LOW FREQUENCY RESPONSES

Integral Pop Filter

The KSM27 grille consists of 3 separate mesh layers that act as an integral pop filter which helps reduce wind and breath noise. Depending on the performer, an external pop-protection screen or windscreen (See Figure 3) may be necessary when close-miking vocalists.



FIGURE 3. PS-6 POPPER STOPPER™ POP FILTER

Load Impedance

Shure recommends a load impedance of at least 1000 Ω . When used with modern microphone preamplifiers (rated at 2500 Ω), the KSM27 provides higher maximum SPL capability and output clipping level. When the attenuation switch is set to the -15 dB position, the KSM27 can handle sound pressure levels of up to 152 dB and output +15 dBV into a load of 2500 Ω or greater.

SPECIFICATIONS

Cartridge Type	Externally Biased Condenser
Frequency Response	20 to 20,000 Hz (see Figure 4)
Directional Polar Pattern	Cardioid (see Figure 5)
Output Impedance	EIA Rated at 150 Ω (140 Ω actual)
Attenuation Switch	0 or 15 dB attenuation
Low Frequency response switch	flat; -6 dB/octave below 115 Hz; -18 dB/octave below 80 Hz
Phantom Power	48 Vdc \pm 4 Vdc (IEC-268-15/DIN 45 596), positive pins 2 and 3
Current Drain	5.4 mA typical at 48 Vdc
Common Mode Rejection	\geq 50 dB, 20 Hz to 20 kHz
Polarity	Positive pressure on diaphragm produces positive voltage on output pin 2 relative to pin 3
Dimensions and Weight	53.0 mm (2.08 in.) maximum body diameter, 156.2 mm (6.15 in.) long; 642 grams (22.6 oz.) (see Figure 6)
Sensitivity (typical, at 1000 Hz; 1Pa = 94 dB SPL)	-37 dBV/Pa
Self-noise (typical, equivalent SPL; A-weighted, IEC 651)	14 dB
Maximum SPL at 1000 Hz 2500 Ω load (Attenuator on) 1000 Ω load (Attenuator on)	137 (152) dB 132 (147) dB
Output Clipping Level* 2500 Ω load 1000 Ω load	7 dBV 1 dBV
Dynamic Range 2500 Ω load 1000 Ω load	123 dB 118 dB
Signal to Noise ratio**	80 dB

*20 Hz to 20 kHz; THD < 1%. THD of the microphone preamplifier when applied input signal is equivalent to the cartridge output at specified SPL.

**S/N ratio is difference between 94 dB SPL and equivalent SPL of self-noise A-weighted.

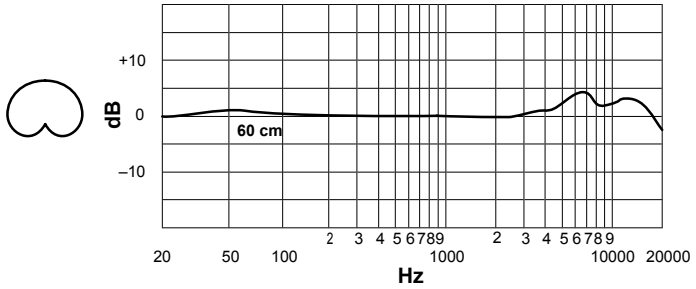


FIGURE 4. TYPICAL FREQUENCY RESPONSE

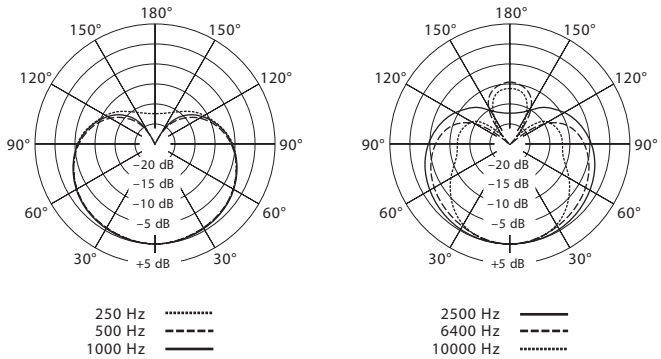


FIGURE 5. TYPICAL POLAR PATTERNS

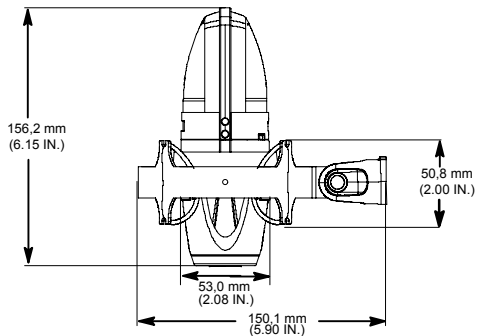


FIGURE 6. DIMENSIONS

CERTIFICATION

Eligible to bear CE Marking; Conforms to European EMC directive 89/336/EEC. Meets applicable tests and performance criteria found in European Professional Audio Products EMC Standard EN 55103 (1996); Part 1 (Emissions) and Part 2 (Immunity). The KSM27 is intended for use in environments E1 (residential) and E2 (Light Industrial) as defined in European standard EN 55103. EMC conformance is based on the use of shielded interconnecting cable.



N 108

FURNISHED ACCESSORIES

ShureLock™ Rubber Isolated Shock Mount	A27SM
Protective Velveteen Pouch	A27VB

OPTIONAL ACCESSORIES

ShureLock™ Black Swive Adapter	A32M
Aluminum Carrying Case	A32SC
Windscreen	A32WS
Popper Stopper™ Pop Screen	PS-6
Padded, Zippered Carrying Bag	A32ZB

REPLACEMENT PARTS

Rubber Rings for Shock Mount (contains four)	RPM642
Replacement Foam for Carrying Case	29A2284

SERVICE

For additional microphone service or parts information, please contact Shure's Service department at 1-800-516-2525. Outside the United States, please contact your Authorized Shure Service Center.

EU DECLARATION OF CONFORMITY

We,
of

Shure Incorporated
222 Hartrey Avenue
Evanston, IL 60202-3696, U.S.A

Declare under our sole responsibility that the following products

Model: KSM27 Description: Condenser Microphone

to which this Declaration relates

are in conformity to European Low Voltage Directive 73/23/EEC
are in conformity to European EMC Directive 89/336/EEC
are in conformity to European CE Marking Directive 93/68/EEC

The product complies with the following product family, harmonized or national standards:

EN 55103-1 1996
EN 55103-2 1996

Manufacturer: Shure Incorporated

Signed



Date OCTOBER 22, 2002

Name, Title Craig Kozokar

EMC Project Engineer, Corporate Quality, Shure Incorporated

European Contact: Shure Europe GmbH

Wannenäcker Str. 28, 74078 Heilbronn, Germany
Phone: 49-7131-7214-0, Fax: 49-7131-7214-14

Trademark Notices: The circular S logo, the stylized Shure logo, and the word “Shure” are registered trademarks of Shure Incorporated in the United States. “ShureLock” is a trademark of Shure Incorporated in the United States. “Mylar” is a registered trademark of E.I. duPont de Nemours and Company in the United States. These marks may be registered in other jurisdictions.

Patent Notice: Patent Des. 400,540 Des. 447,131

The SHURE logo is rendered in a bold, italicized, sans-serif typeface. The letters are thick and closely spaced, with a slight shadow effect that gives them a three-dimensional appearance. A registered trademark symbol (®) is positioned at the top right of the letter 'E'.

**SHURE Incorporated Web Address: <http://www.shure.com>
5800 W. Touhy Avenue, Niles, IL 60714-4608, U.S.A.
In U.S.A., Phone: 1-847-600-2000 Fax: 1-847-600-1212
In Europe, Phone: 49-7131-72140 Fax: 49-7131-721414
In Asia, Phone: 1-852-2893-4290 Fax: 1-852-2893-4055
International Fax: 1-847-600-6446**