

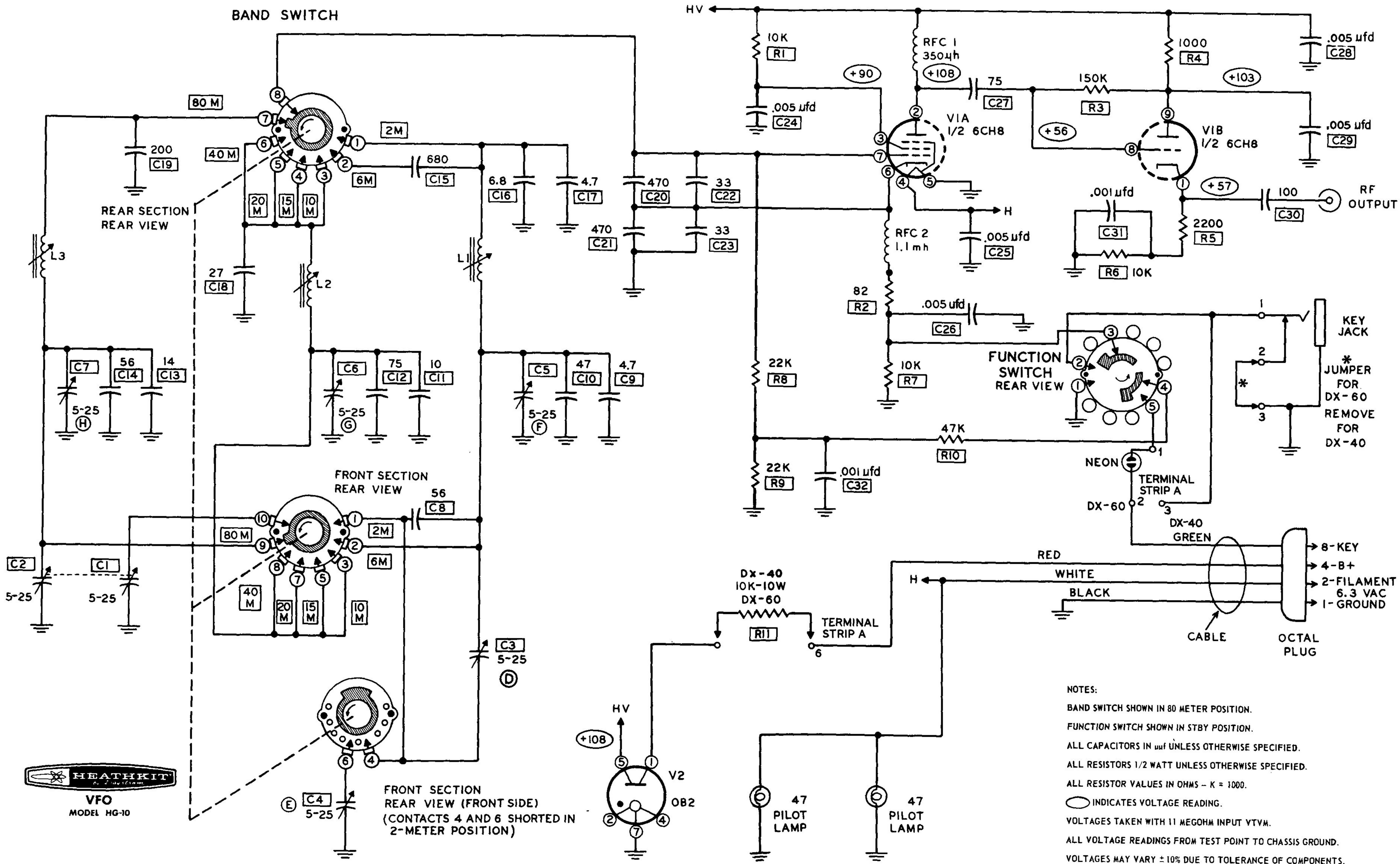


# VARIABLE FREQUENCY OSCILLATOR

MODEL HG-10

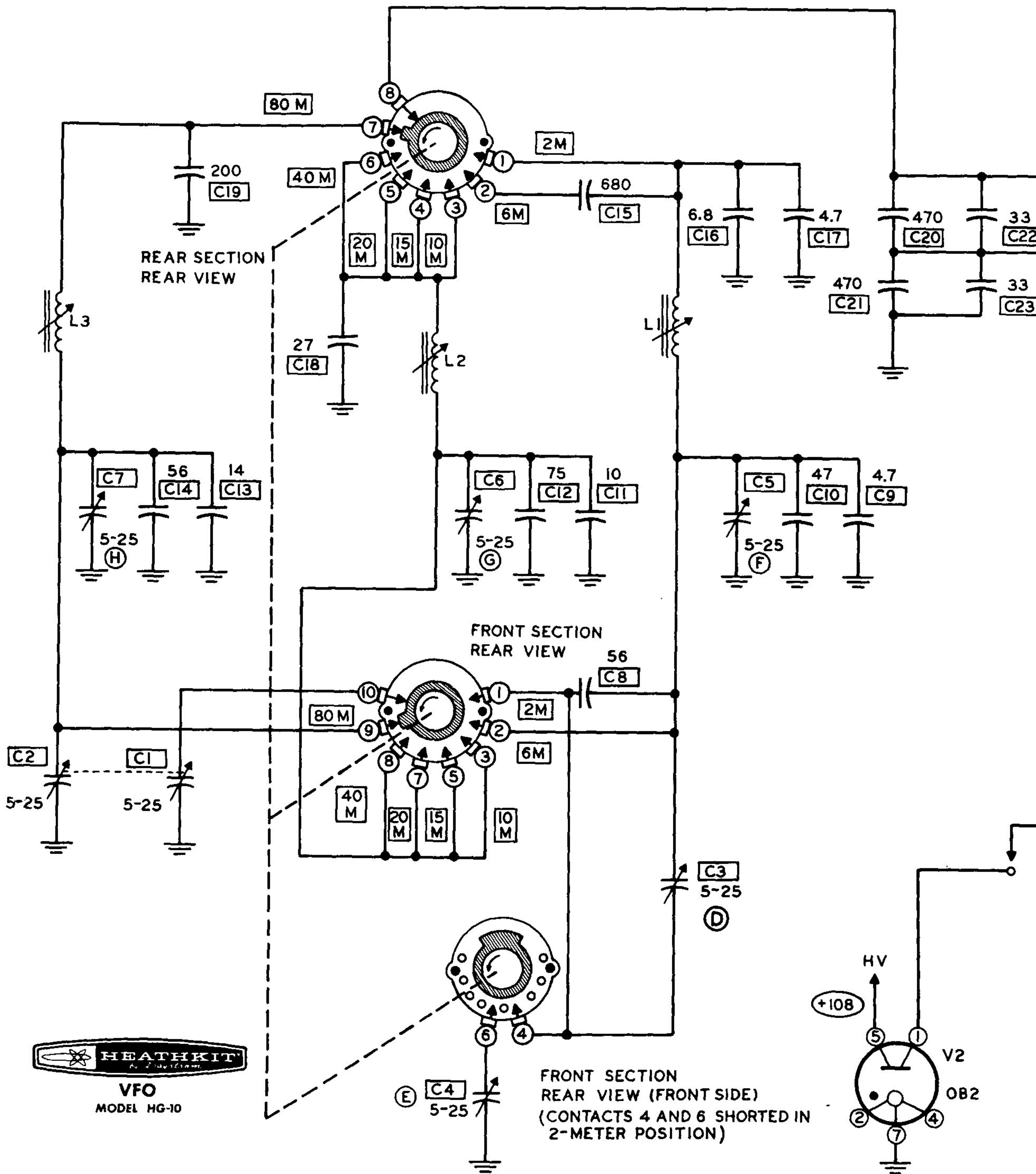
## SPECIFICATIONS

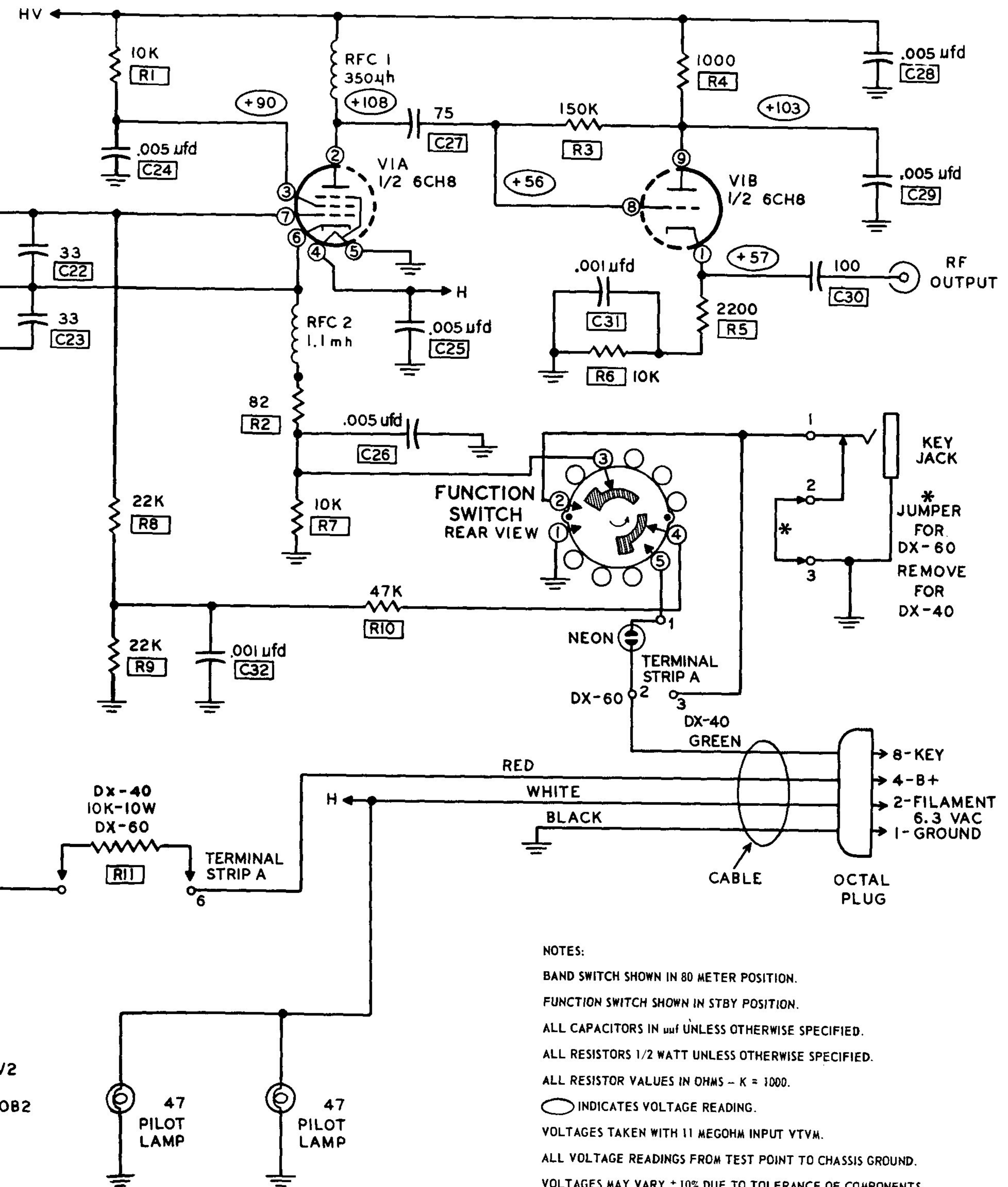
Band Coverage. . . . .	<table><thead><tr><th><u>Band</u> <u>(Meters)</u></th><th><u>Dial</u> <u>Calibration (mc)</u></th><th><u>Output</u> <u>Frequency (mc)</u></th></tr></thead><tbody><tr><td>80</td><td>3.5 to 4</td><td>3.5 to 4</td></tr><tr><td>40</td><td>7 to 7.4</td><td>7 to 7.425</td></tr><tr><td>20</td><td>14 to 14.8</td><td>7 to 7.425</td></tr><tr><td>15</td><td>21 to 22.2</td><td>7 to 7.425</td></tr><tr><td>10</td><td>28 to 29.7</td><td>7 to 7.425</td></tr><tr><td>8</td><td>50 to 54</td><td>8.333 to 9</td></tr><tr><td>2</td><td>144 to 148</td><td>8 to 8.222</td></tr></tbody></table>	<u>Band</u> <u>(Meters)</u>	<u>Dial</u> <u>Calibration (mc)</u>	<u>Output</u> <u>Frequency (mc)</u>	80	3.5 to 4	3.5 to 4	40	7 to 7.4	7 to 7.425	20	14 to 14.8	7 to 7.425	15	21 to 22.2	7 to 7.425	10	28 to 29.7	7 to 7.425	8	50 to 54	8.333 to 9	2	144 to 148	8 to 8.222
<u>Band</u> <u>(Meters)</u>	<u>Dial</u> <u>Calibration (mc)</u>	<u>Output</u> <u>Frequency (mc)</u>																							
80	3.5 to 4	3.5 to 4																							
40	7 to 7.4	7 to 7.425																							
20	14 to 14.8	7 to 7.425																							
15	21 to 22.2	7 to 7.425																							
10	28 to 29.7	7 to 7.425																							
8	50 to 54	8.333 to 9																							
2	144 to 148	8 to 8.222																							
Load Impedance . . . . .	50,000 $\Omega$ or more.																								
Output Voltage . . . . .	5 volts rms, open circuit, minimum all bands.																								
Output Connector . . . . .	Phono-type socket.																								
Controls. . . . .	FUNCTION switch (STBY-OPR-SPOT), FREQUENCY (variable capacitor), BAND switch.																								
Tube Complement. . . . .	1 - 6CH8, Oscillator-Cathode follower. 1 - OB2, Voltage regulator.																								
Power Requirements. . . . .	108 volts DC at 25 milliamperes and 6.3 volts AC or DC at 0.75 ampere. (These voltages are provided directly from the accessory socket of the HEATHKIT DX-60 and DX-40 Transmitters; a minor circuit change in the VFO is required for the DX-40.)																								
Dimensions. . . . .	9-3/8" wide x 6-1/2" high x 8-1/8" deep.																								
Net Weight. . . . .	9-1/2 lbs.																								
Shipping Weight. . . . .	12 lbs.																								



# BAND SWITCH

HV ←





NOTES:

BAND SWITCH SHOWN IN 80 METER POSITION.

FUNCTION SWITCH SHOWN IN STBY POSITION.

ALL CAPACITORS IN µfd UNLESS OTHERWISE SPECIFIED.

ALL RESISTORS 1/2 WATT UNLESS OTHERWISE SPECIFIED.

ALL RESISTOR VALUES IN OHMS - K = 1000.

○ INDICATES VOLTAGE READING.

VOLTAGES TAKEN WITH 11 MEGOHM INPUT VTVM.

ALL VOLTAGE READINGS FROM TEST POINT TO CHASSIS GROUND.

VOLTAGES MAY VARY ± 10% DUE TO TOLERANCE OF COMPONENTS.