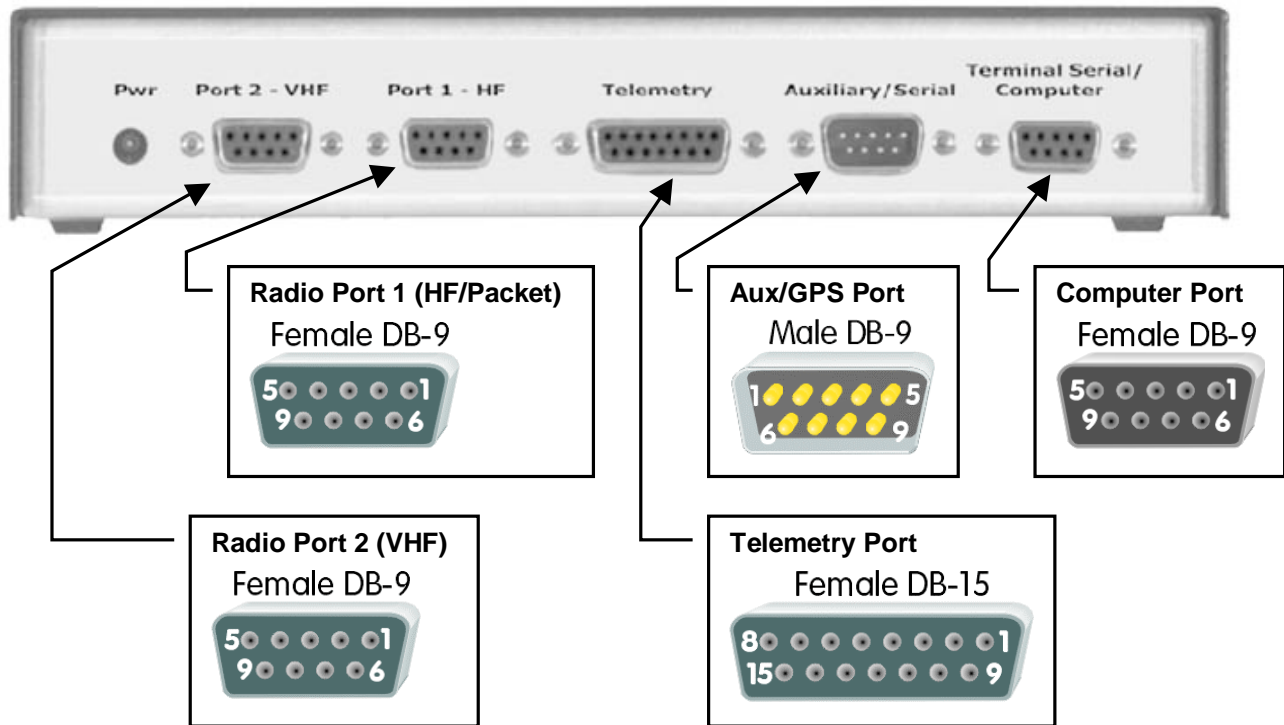


Kantronics KAM-XL Port Pinout Information

KAM-XL Rear View



Radio Port 2 (Packet) (DB-9) Pin-out:

Pin no.	Signal name	Function	Related Jumpers
1	TXA2	Transmit audio (AFSK out)	
2	XCD2	External carrier detect (transmit inhibit) (input)	
3	PTT 2	Push-to-talk (to radio PTT/transmitter enable input)	
4	CTRL2B	Port 2 Control line B	
5	RXA2	Receive audio (AKSK in) 10 KOhm Z _{IN} (620 Ohm jumper selectable)	J4
6	GND	Ground	
7	FSK2	Digital output (of AFSK out)	J3
8	CTRL2A	Port 2 Control line A	
9	GND	Ground	
Shield	Shield	Shield	

To find corresponding pin-outs for many radios, visit www.packetradio.com.



Kantronics KAM-XL Port Pinout Information

Radio Port 1 (HF or Packet) (DB-9) Pin-out:

Pin no.	Signal name	Function	Related Jumpers
1	TXA1	Transmit audio (AFSK out)	
2	XCD1	External carrier detect (transmit inhibit) (input)	
3	PTT 1	Push-to-talk (to radio PTT/transmitter enable input)	
4	CTRL1B / CW KEY OUT	Port 2 Control line B or CW Key Output, software selectable	
5	RXA1	Receive audio (AKSK in) 10 KOhm Z _{IN} (620 Ohm jumper selectable)	J2
6	GND	Ground	
7	FSK1	Digital output (of AFSK out)	J1
8	CTRL1A	Port 2 Control line A	
9	GND	Ground	
Shield	Shield	Shield	

To find corresponding pin-outs for many radios, visit www.packetradio.com.

Telemetry Port (DB-15) Pin-out:

Pin no.	Signal name	Function
1	AN0	Push-to-talk (output, to radio PTT/transmitter enable input)
2	AN1	Receive signal (input)
3	AN2	Transmit signal (output)
4	AN3	Receive signal (digital input)
5	AN4	(not used)
6	AN5	Control line A (output) (High-speed port)
7	AN6	Control line A (output) (High-speed port)
8	AN7	Receive signal quality indicator (output)
9	GND	Ground
10	GND	Ground
11	CTRL0A	Control output from KAM-XL. Open drain, 0-50V, 200ma max
12	PWR	External power in/out of KAM-XL
13	CTRL0B	Control output from KAM-XL. Open drain, 0-50V, 200ma max
14	GND	Ground
15	GND	Ground

To find corresponding pin-outs for many radios, visit www.packetradio.com.



Kantronics KAM-XL Port Pinout Information

Aux/GPS Port (male DB-9) Pin-out:

Pin no.	Signal name	Function
1	DCD	Data Carrier Detect. Input to KAM-XL from external serial data source.
2	RXD	Receive Data: Carries data from an external GPS receiver or serial data source to the KAM-XL
3	TXD	Transmit Data: Carries data from the KAM-XL to an external GPS receiver or serial data source.
4	DTR	Data Terminal Ready. Output from the KAM-XL.
5	SG	Signal Ground. Common reference line for signals. (Internally tied to frame ground in the KAM-XL.)
6	DSR	Data Set Ready. Input to the KAM-XL indicating when an external serial data source is powered up.
7	RTS	Request to Send. Tells the external serial data source when the KAM-XL is ready to accept more input. Used for hardware flow control.
8	CTS	Clear to Send. Indicates whether the external serial data source is ready to accept data from the KAM-XL. Used for hardware flow control.
9	RI	Input from external serial data source to KAM-XL

Computer Port (female DB-9) Pin-out:

Pin no.	Signal name	Function
1	DCD	Data Carrier Detect. Signals the status of the current I/O stream to your computer. If you are connected to another packet station on the current I/O stream, this output will have a positive voltage on it. If you are disconnected, the voltage on this output will be negative.
2	RXD	Receive Data: Carries data from the KAM-XL to a Computer
3	TXD	Transmit Data: Carries data from a Computer or GPS to the KAM-XL.
4	DTR	Data Terminal Ready. Usually indicates when the computer's port is active. Currently ignored by the KAM-XL.
5	SG	Signal Ground. Common reference line for signals. (Internally tied to frame ground in the KAM-XL.)
6	DSR	Data Set Ready. Indicates the KAM-XL is powered up.
7	RTS	Request to Send. Tells the KAM-XL when the computer is ready to accept more input from the KAM-XL. Used for hardware flow control.
8	CTS	Clear to Send. Indicates whether the KAM-XL is ready to accept more input from the computer. Used for hardware flow control.

Notes:

All cables must be well shielded.