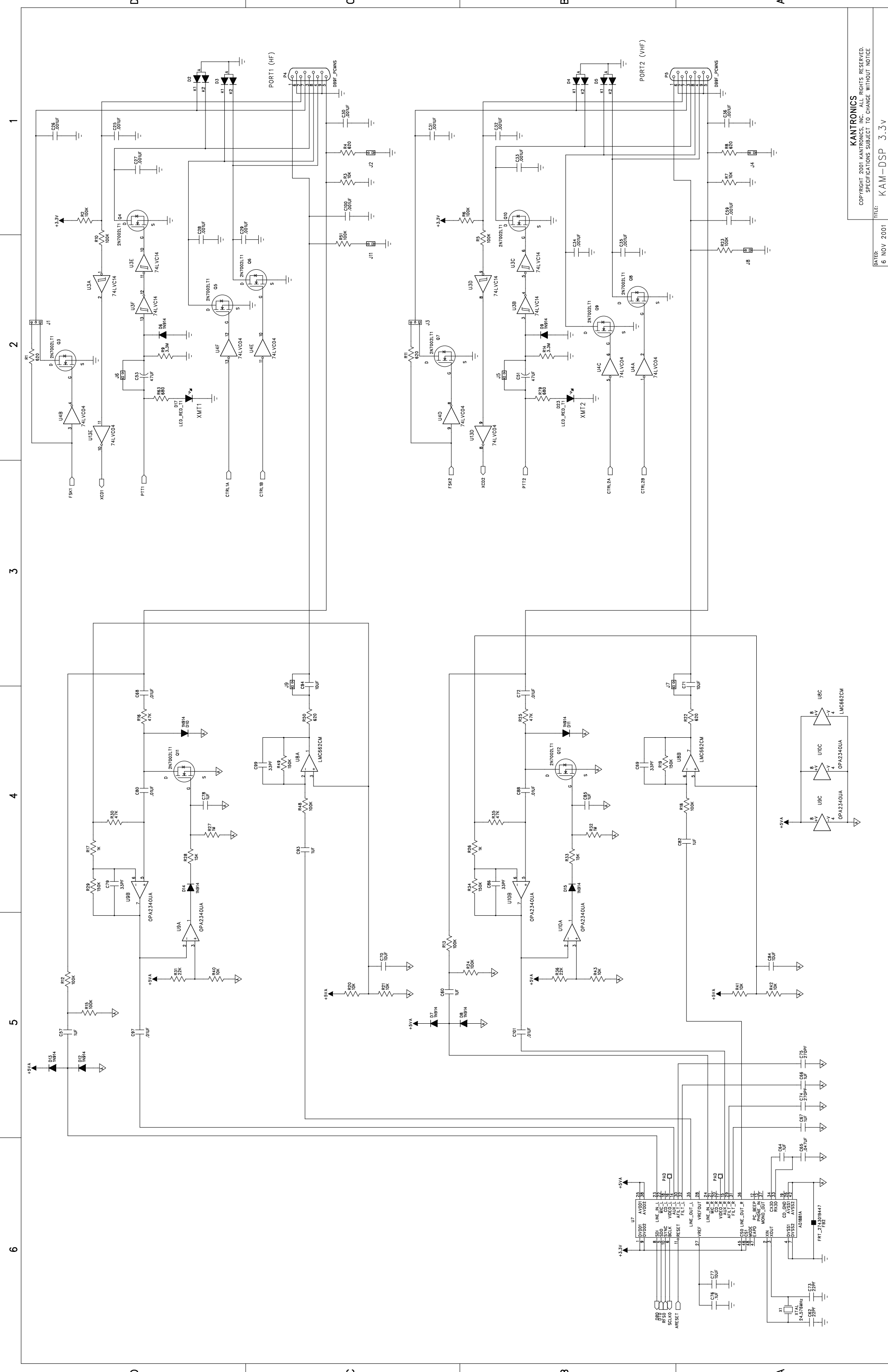


Resistors not normally installed;
only one of R11 and R12 ever installed



D

D

C

C

B

B

A

A

