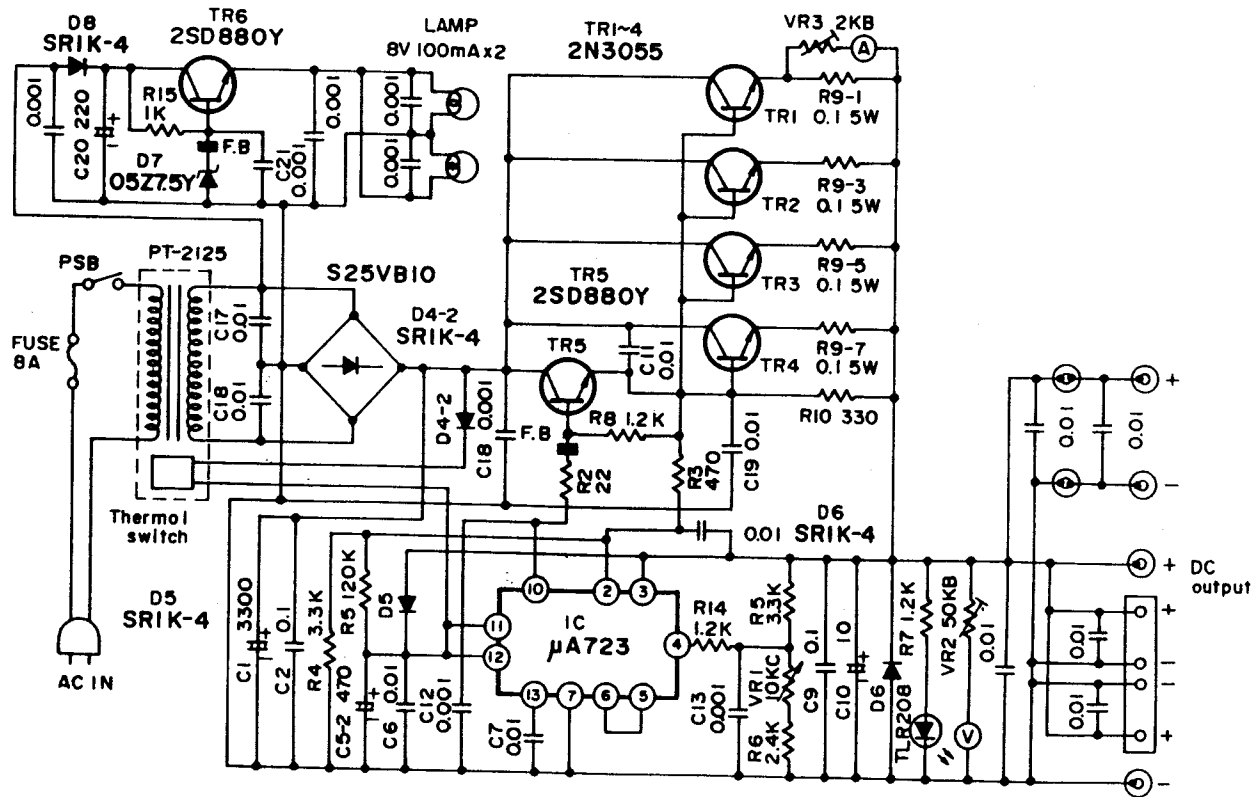


EP-3030

ALINCO ELECTRONICS

SCHEMATIC WITH PART VALUES



Some components subject to change for an improvement without notice.