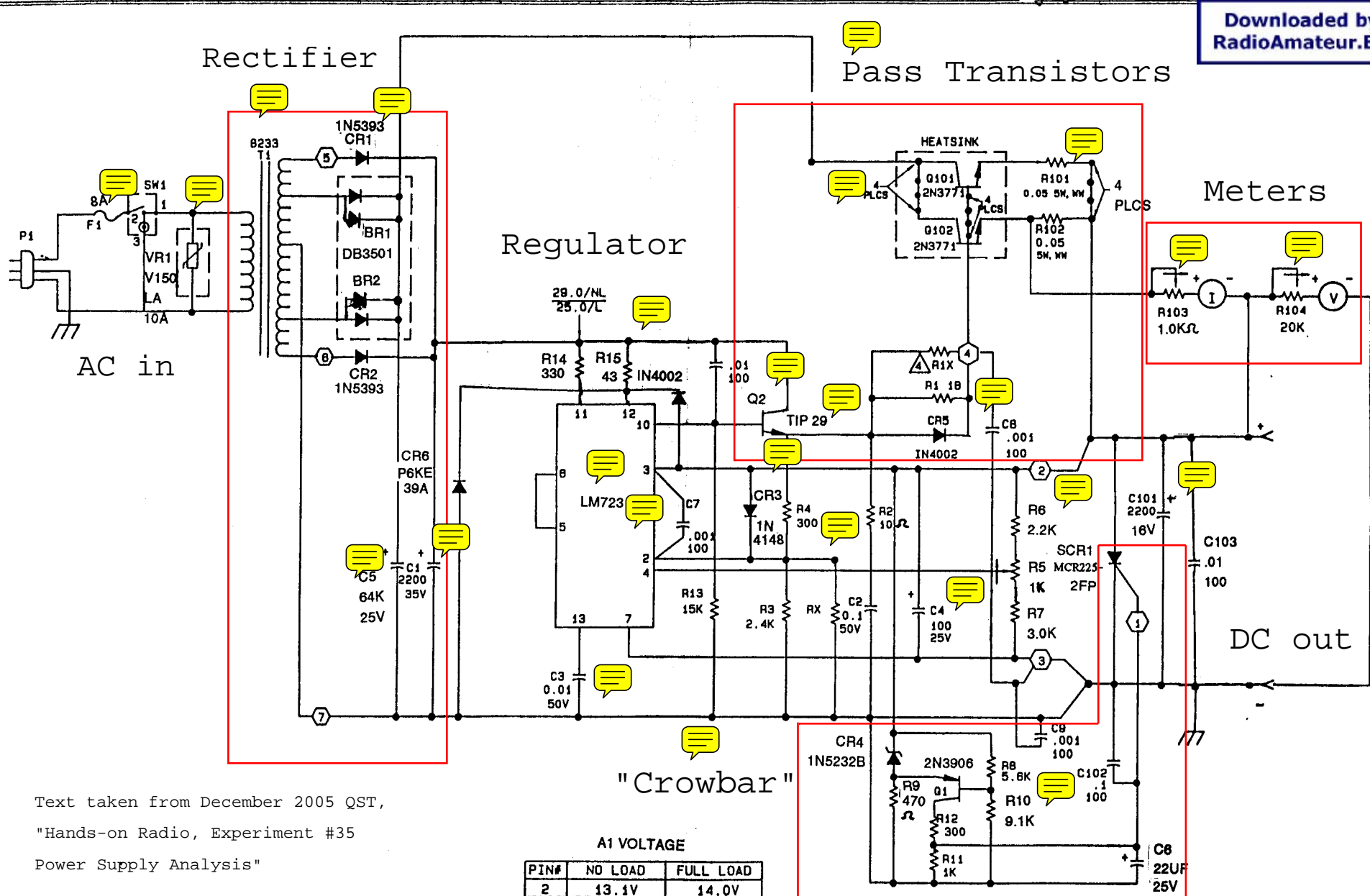


Downloaded by  
RadioAmateur.EU

A1 VOLTAGE		
PIN#	NO LOAD	FULL LOAD
2	13.1V	14.0V
3	13.8V	13.7V
4	7.2V	7.2V
5	7.2V	7.2V
6	7.2V	7.2V
7	0.0V	0.0V
10	14.8V	16.5V
11	29.0V	25.0V
12	29.0V	25.0V
13	16.1V	17.8V

- UNLESS OTHERWISE NOTED
1. ALL RESISTORS 5%. 0.5W/ C.F. IN OHM.
  2. ALL CAPACITORS IN MICROFARADS.
  3. PRINTED CIRCUIT BOARD.
  4. TO BE SELECTED IN TEST.



Text taken from December 2005 QST,  
"Hands-on Radio, Experiment #35  
Power Supply Analysis"

A1 VOLTAGE

PIN#	NO LOAD	FULL LOAD
2	13.1V	14.0V
3	13.8V	13.7V
4	7.2V	7.2V
5	7.2V	7.2V
6	7.2V	7.2V
7	0.0V	0.0V
10	14.8V	16.5V
11	29.0V	25.0V
12	29.0V	25.0V
13	16.1V	17.8V

- UNLESS OTHERWISE NOTED
1. ALL RESISTORS 5%, 0.5W, C.F. IN OHM.
  2. ALL CAPACITORS IN MICROFARADS.
  3. ○ PRINTED CIRCUIT BOARD.
- ▲ TO BE SELECTED IN TEST.

**ASTRON CORPORATION**  
IRVINE, CALIFORNIA

DATE: 5-15-95      APPROVED: *[Signature]*

**RS-35M/RS-35A**