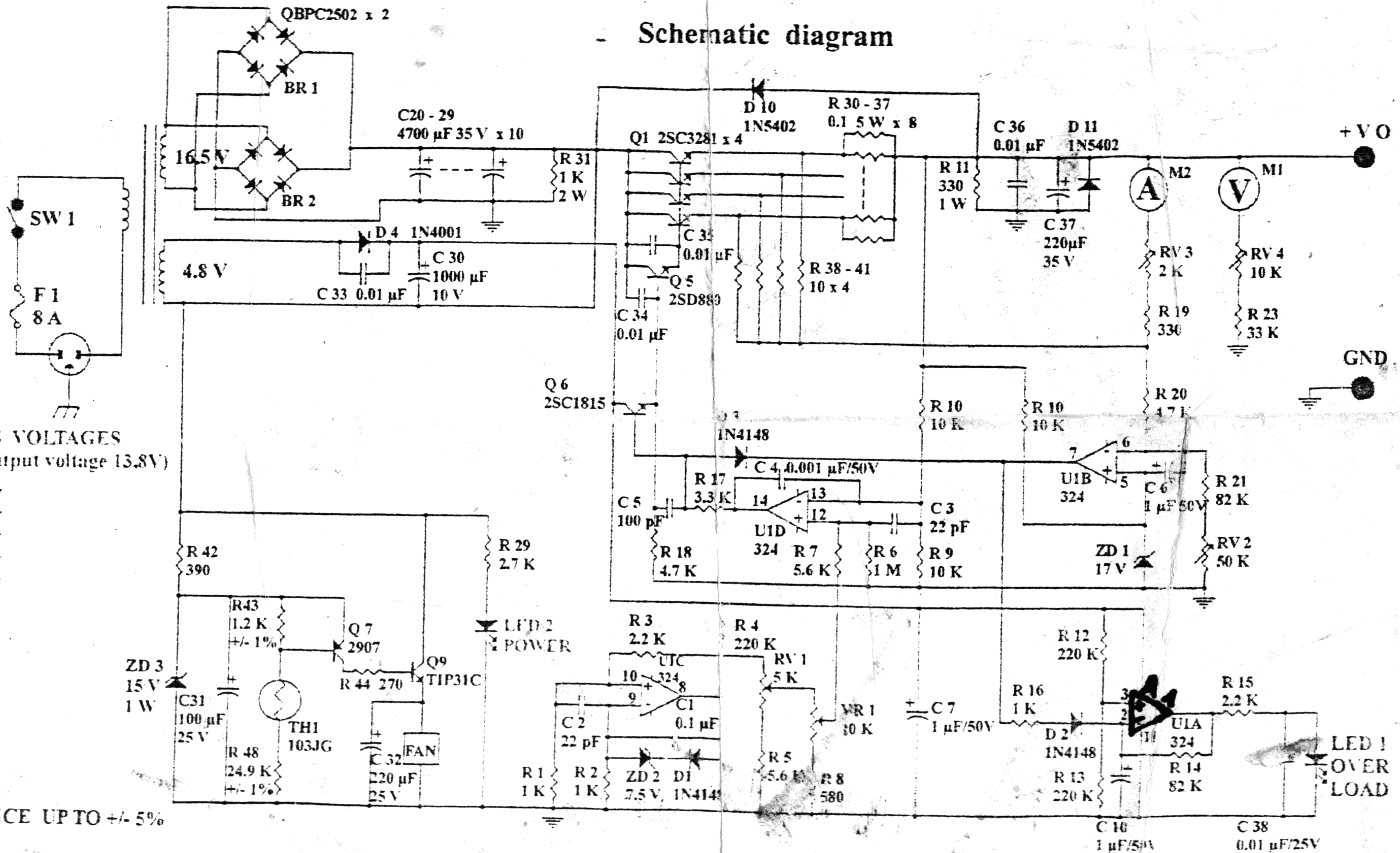


DIAMOND POWER SUPPLY GSV 3000 - 501

Schematic diagram



LM324 PIN'S VOLTAGES
(with standard output voltage 13.8V)

- 1) 0.6 V
- 2) 26 V
- 3) 13 V
- 4) 27.5 V
- 5) 13.5 V
- 6) 13.3 V
- 7) 26 V
- 8) 15 V
- 9) 6.5 V
- 10) 6.8 V
- 11) GND
- 12) 3.6 V
- 13) 6.8 V
- 14) 12 V

TOLERANCE UP TO +/- 5%

NOTE :

ALL RESISTORS ARE IN OHM AND 1/4 W
EXCEPT SPECIFIED

DIAMOND ANTENNA CORPORATION
 15-1, 1-chome, Sugamo Toshima-ku, Tokyo 170, Japan
 Phone: (03) 3947-1411
 Fax: (03) 3944-2981
 Telex: 272 2420 DIANTNA J
 Cable Address: DIANTNA

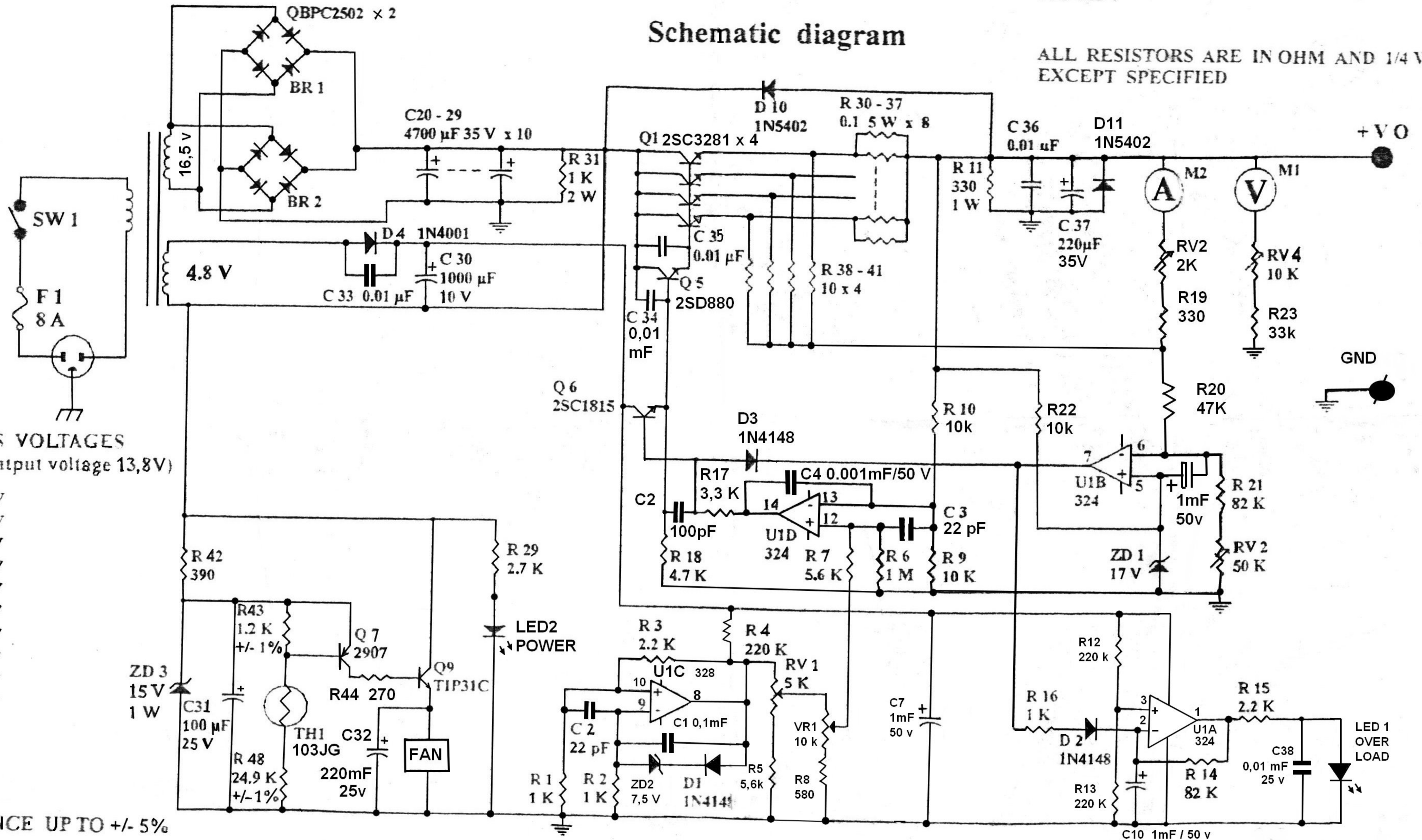
DIAMOND POWER SUPPLY

GSV 3000 - 501

NOTE :

Schematic diagram

ALL RESISTORS ARE IN OHM AND 1/4 W EXCEPT SPECIFIED



LM324 PIN'S VOLTAGES
(with standard output voltage 13,8V)

- 1) 0.6 V
- 2) 26 V
- 3) 13 V
- 4) 27.5 V
- 5) 13,5 V
- 6) 13,3 V
- 7) 26 V
- 8) 15 V
- 9) 6.5 V
- 10) 6.8 V
- 11) GND
- 12) 3.6 V
- 13) 6.8 V
- 14) 12 V

TOLERANCE UP TO +/- 5%