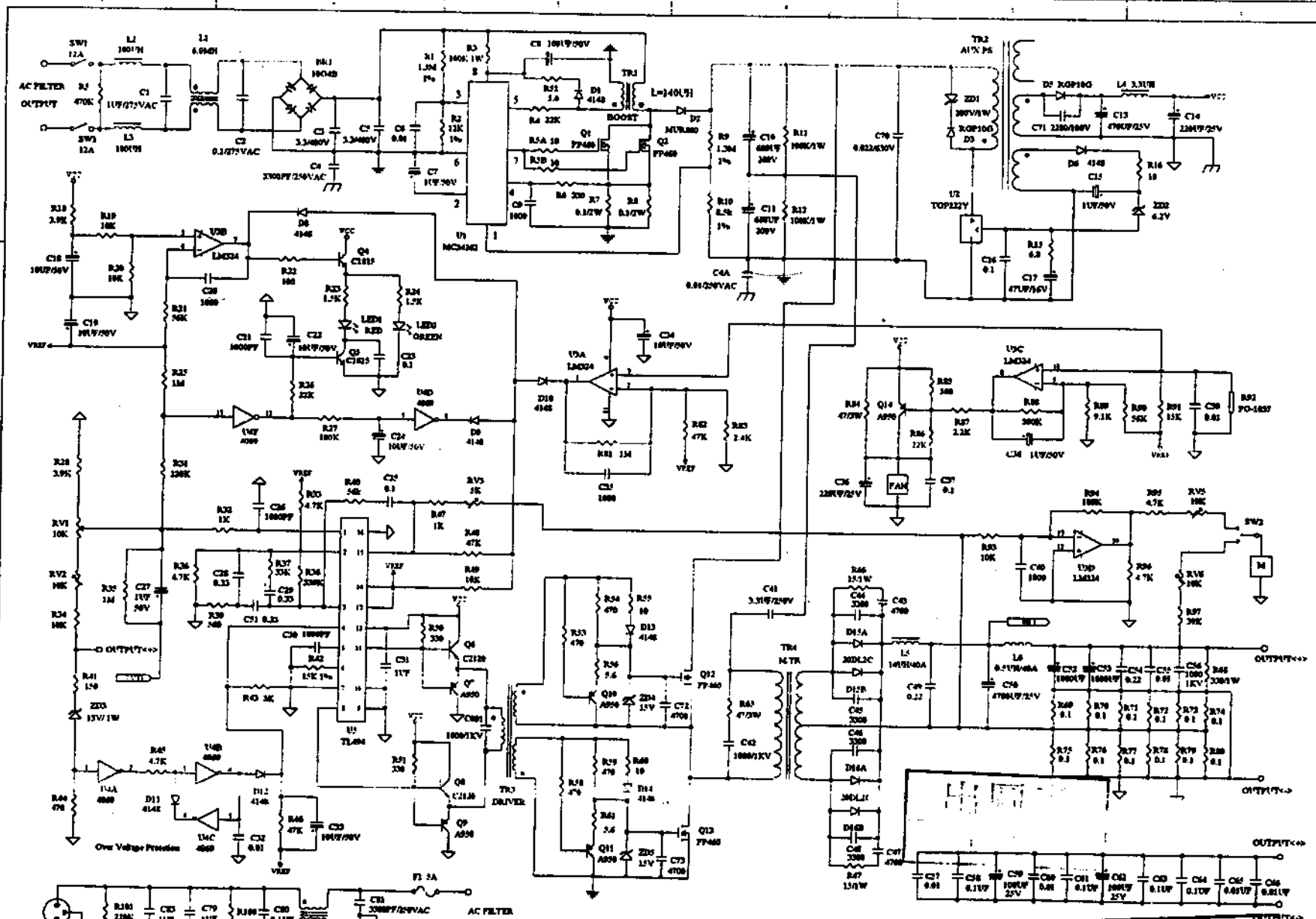


GZV-4000-506CE



SAME MODEL: GZV-4000-308CE

管制文件

TITLE: GZV-4000-506CE SCH INPUT: 190-254VAC 50HZ DWG NO. 9801-0090-5060  
 DRAWN BY: *Zuo Changfeng* CHECKED BY: *Q. Wang* APPROVED BY: *K.K. Leung* DATE: 20-08-2000

1/9/26