

INTRODUCTION

GZV4000 Switching Mode DC Power Supply capable of high power output with its small size and lightweight. It is providing adjustable output voltage from 5V to 15V under 40A continuous operation suitable and for a variety of uses, especially for DC operated radio equipment.

Please read through this operation instruction carefully and follow the instructions to prevent from abuse or misuse. This manual must be kept for reference at anytime in need.

FEATURES**1. Lightweight and Small Size**

Switching mode power supply has the advantages of lightweight and small size. Comparing with linear mode power with the same power output, it is much lighter and smaller.

2. High Efficiency

The unit is operated with efficiency of 80% under the best condition.

3. Overload Protection

The current foldback circuitry is adopted to prevent from overload. The overload indicator will be lighted up when the unit is overloaded.

4. Over Temperature Protection

The over temperature circuitry is functioned when the unit is over a certain high temperature to prevent the unit from damage by the high temperature. When the circuitry is functioned, the output voltage and current will drop down to a safety value and the overloaded indicator will be lighted up.

5. High RFI Stability

The high protection circuitry against RFI (Radio Frequency Interference) provides a stable operation.

6. Variable Voltage Output

The variable range of output voltages from 5V to 15V enables good fits with various uses.

7. Multiple DC Output Connections

The unit has a pair of 6A easy snap on output terminal; a pair of full power screw-on output terminal and a cigar-lighter type output jack.

INSTALLATION

1. Make grounding the unit to prevent from electric shock at high voltage caused by leakage or lightning.
2. DO NOT place the unit in high humid, dusty and/or sunny places.
3. Place the unit in a location where allows free air circulation.
4. DO NOT place the unit close the TV sets or CRT monitor.
5. Couple with an AC outlet directly, as source via distribution cables may heat plugs and cable.
6. Put the unit horizontally for accurate meter readings.
7. This unit is For Indoor Use Only.

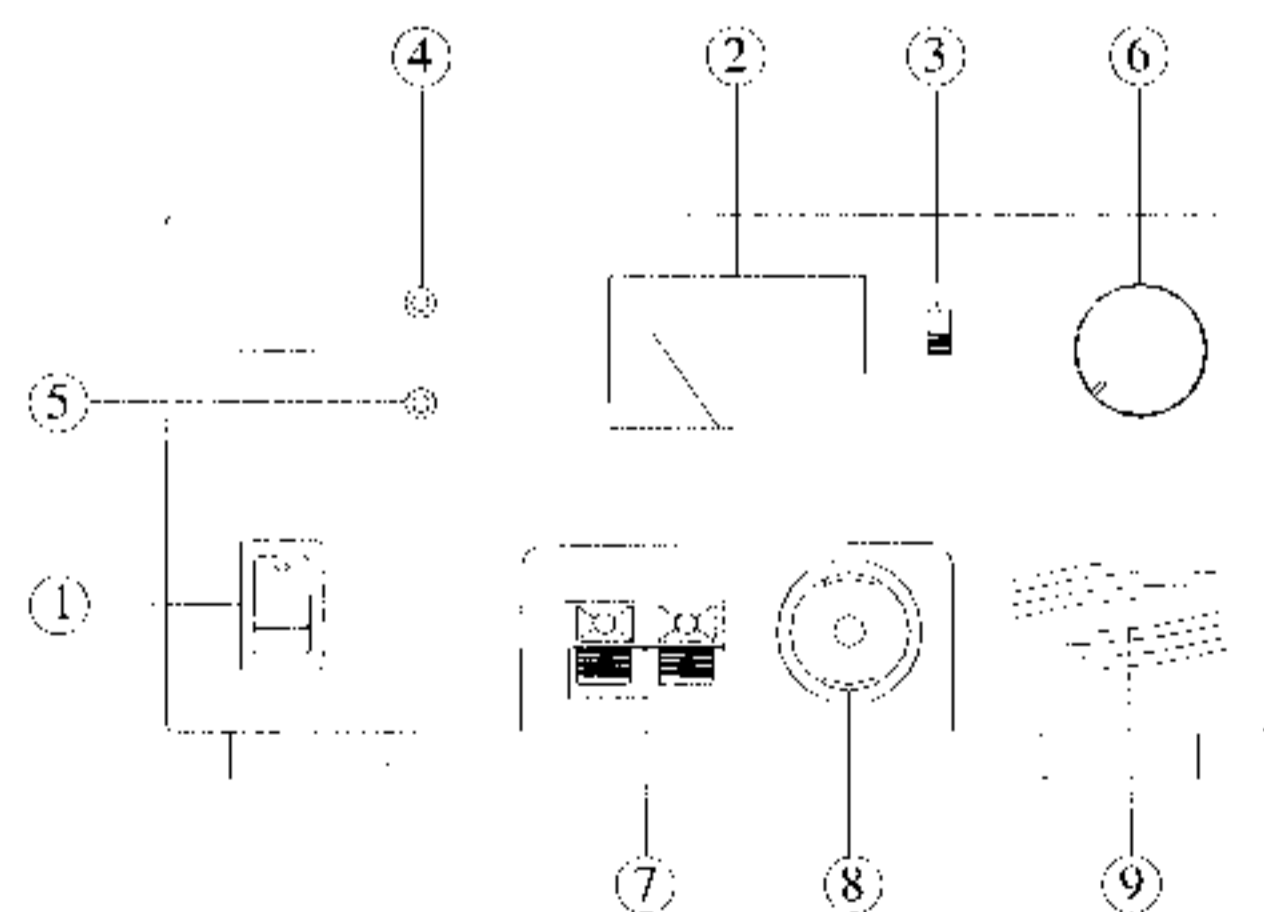
CAUTION

1. DO NOT use the unit for the equipment requiring higher current input than the designed value otherwise will damage the unit.
2. DO NOT use the unit for the lamps or motorized equipment, which require high current input at starting and it may damage the unit.
3. DO NOT replace the fuse before ceasing problems and the assigned value of fuse must be used in place.
4. If the external flexible cable or cord of this transformer is damaged, it shall be replaced by the manufacturer or his service agent or a similar qualified person in order to avoid a hazard.

SAFETY PRECAUTIONS

MUST read through the following precautions carefully to prevent from electric shock.

1. NEVER remove the metal cover of the power supply while AC power is connected.
2. NEVER touch the unit when your hands are wet.
3. NEVER operate the unit if foreign materials such as metallic objects, water, or other debris have fallen inside. Contact your dealer for check and repair.
4. NEVER operate the unit that was being damaged, as the voltage regulation circuitry may have been disabled. The resulting high voltage could damage your equipment.
5. NEVER allow foreign objects to touch the DC Power Output Terminals.
6. If you have the need to inspect the interior of the unit, be contained to let it cool down completely, as some components may be enough to burn your hand in the event of component failure.

**PANEL DESCRIPTION**

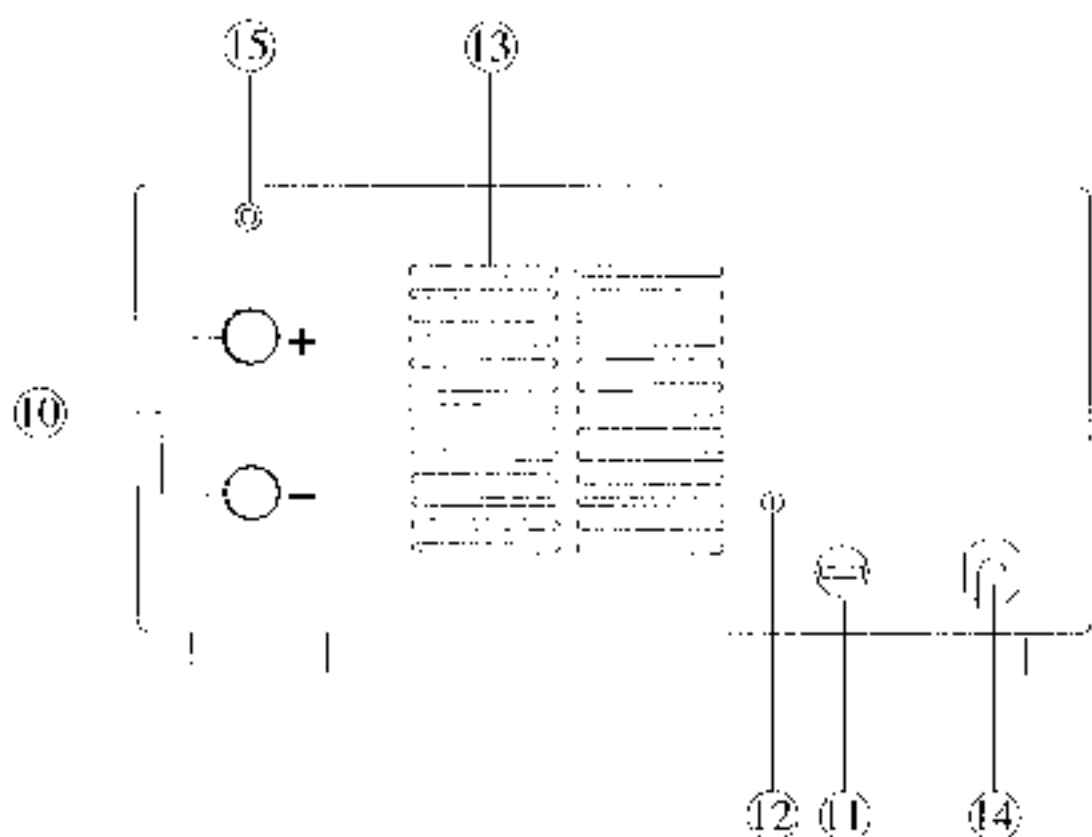
1. **POWER SWITCH:** Turn ON/OFF the unit.
2. **OUTPUT METER:** Indicate the voltage or current output
3. **METER SELECTOR:** Select the meter to indicate the voltage or current.

4. **POWER INDICATOR:** Lights up when the unit is turn on.
5. **OVERLOAD INDICATOR:** Lights up under the condition of overload or over temperature.
6. **VOLTAGE CONTROL KNOB:** Control the output voltage.
7. **6A SNAP-ON OUTPUT TERMINAL**
8. **CIGAR-LIGHTER OUTPUT JACK**
9. **SPEAKER**
10. **SCREW-ON OUTPUT TERMINAL**

11. **FUSE**
12. **GROUNDING:** Connect to ground for better RFI Stability.
13. **COOLING FAN AIR INLET**
14. **POWER CORD**
15. **HEADPHONE JACK**

CONNECTION AND OPERATION

1. Make sure the AC power source fits the input of voltage unit labeled and plug it in the AC outlet.
2. Turn ON the unit and adjust the output voltage to match with the input voltage of the equipment. Then turn OFF the unit.
3. Connect the equipment to the unit. Red (+) is connected to the positive polarity input of the equipment and Black (-) is connected to the negative polarity input of the equipment.
4. First turn ON the unit and then turn the equipment ON.
5. When and operation is finished, turn off the equipment first and then turn OFF the unit.



SPECIFICATIONS

VOLTAGE SOURCE:	220-240Vac/50Hz~
OUTPUT VOLTAGE:	5-15V
OUTPUT CURRENT:	40A (continuous)
RIPPLE AND NOISE:	50mV _{P.P}
LINE REGULATION:	50mV (±10% Variation)
LOAD REGULATION:	200mV (0-100% Load)
HEADPHONE JACK TYPE:	φ 3.5mm
METER TYPE:	Precision Analog Meter
INPUT FUSE:	5A
DIMENSION (W×H×D):	210mm×110mm×300mm
WEIGHT:	3.5Kgs (Approx.)