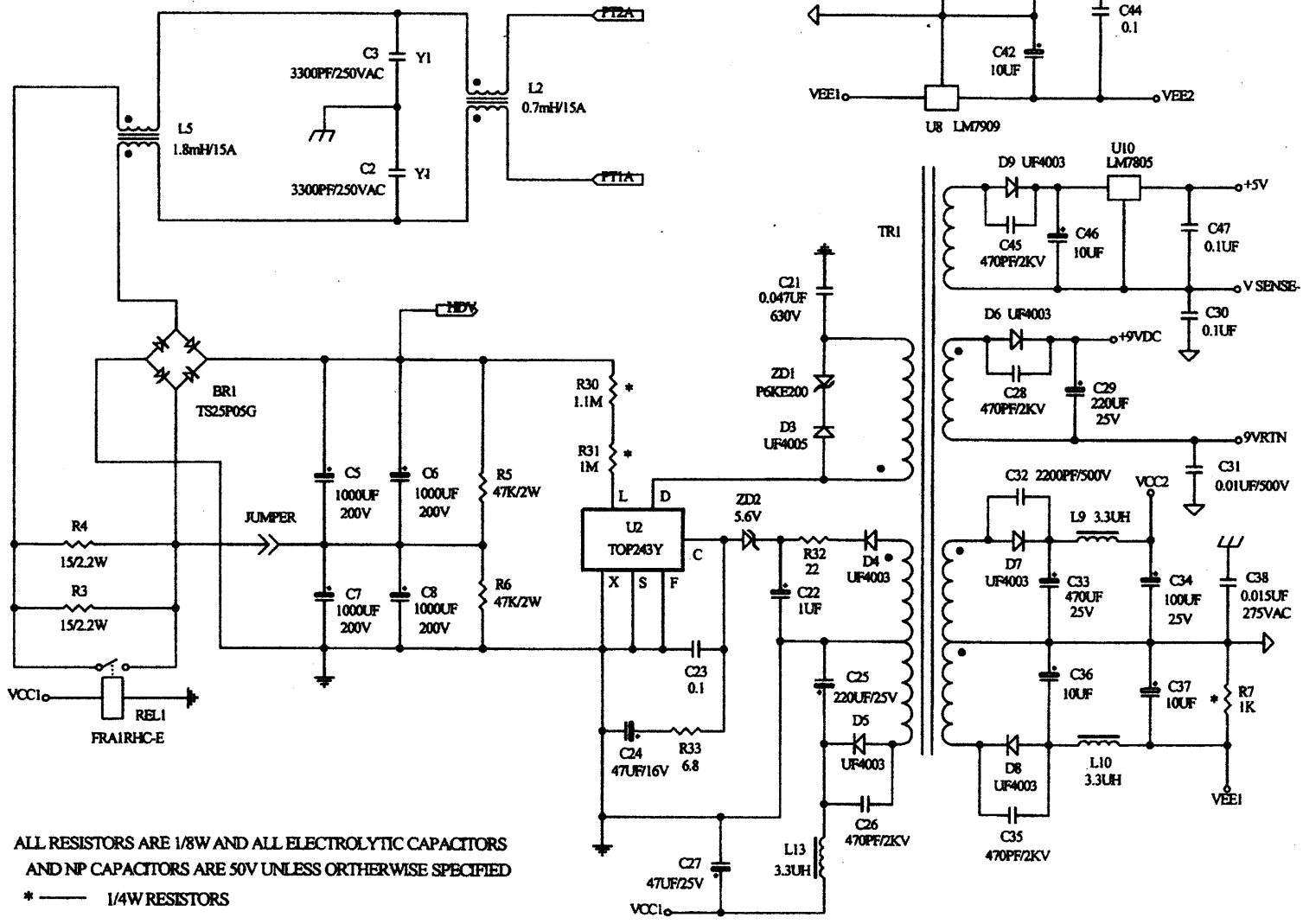


NOTE:

- 1: ALL RESISTORS ARE 1/8W AND ALL ELBCTROLYTIC CAPACITORS AND NP CAPACITORS ARE 50V UNLESS ORTHERWISE SPECIFIED
- 2: * — 1/4W RESISTORS



NOTE: 1: ALL RESISTORS ARE 1/8W AND ALL ELECTROLYTIC CAPACITORS AND NP CAPACITORS ARE 50V UNLESS OTHERWISE SPECIFIED
 2: * — 1/4W RESISTORS

