

POWER SUPPLY KIT

MODEL XP-720K



Assembly Manual

ELENCO®

PARTS LIST

If you are a student, and any parts are missing or damaged, please see instructor or bookstore.

If you purchased this kit from a distributor, catalog, etc., please contact ELENCO® (address/phone/e-mail is at the back of this manual) for additional assistance, if needed. **DO NOT** contact your place of purchase as they will not be able to help you.

RESISTORS

Qty.	Symbol	Value	Color Code	Part #
<input type="checkbox"/> 1	R5	0.18Ω 5% 3W		101804
<input type="checkbox"/> 2	R3, R4	2.7Ω 5% 1/4W	red-violet-gold-gold	112701
<input type="checkbox"/> 2	R1, R2	150Ω 5% 1/4W	brown-green-brown-gold	131500
<input type="checkbox"/> 2	VR1, VR2	2kΩ Potentiometer		192422

CAPACITORS

Qty.	Symbol	Value	Description	Part #
<input type="checkbox"/> 5	C1 - C4, C8	10μF	Electrolytic	271045
<input type="checkbox"/> 2	C5, C6	2200μF	Electrolytic	292226
<input type="checkbox"/> 1	C7	4700μF	Electrolytic	294744

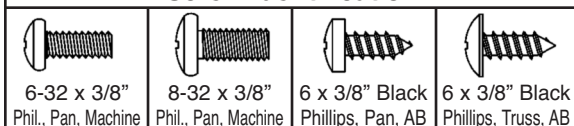
SEMICONDUCTORS

Qty.	Symbol	Value	Description	Part #
<input type="checkbox"/> 4	D1 - D4	1N4001	Diode	314001
<input type="checkbox"/> 4	D5 - D8	1N5400	Diode	315400
<input type="checkbox"/> 1	Q1	A70	Transistor	320070
<input type="checkbox"/> 1	Q2	2N6124	Transistor	326124
<input type="checkbox"/> 1	IC1	LM-317	Integrated Circuit	330317
<input type="checkbox"/> 1	IC2	LM-337	Integrated Circuit	330337
<input type="checkbox"/> 1	IC3	LM-7805C	Integrated Circuit	337805


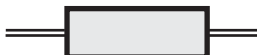
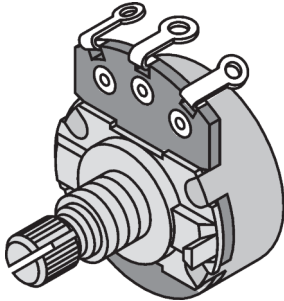


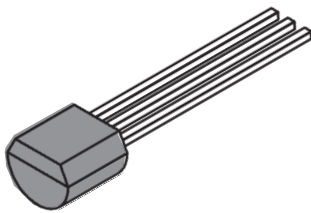
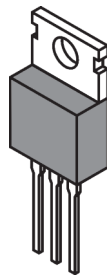
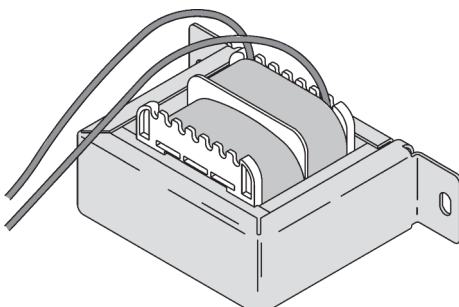
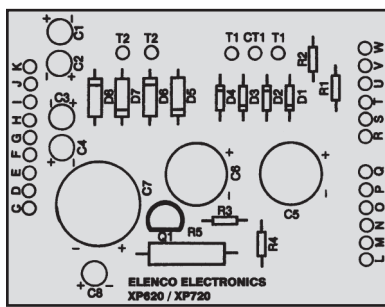
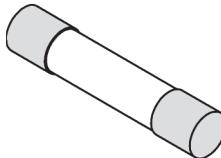
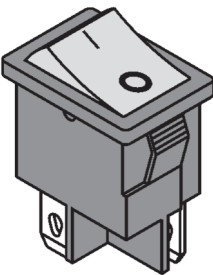
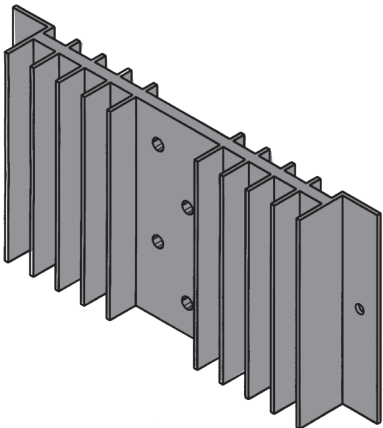
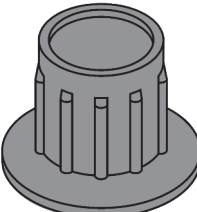
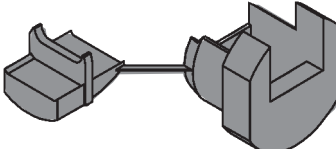
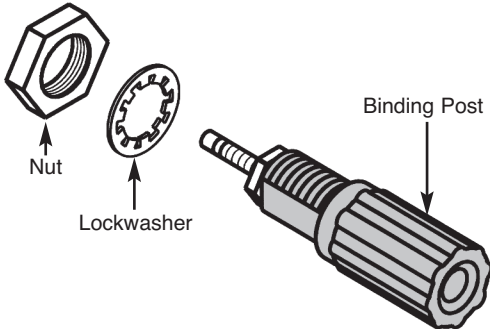


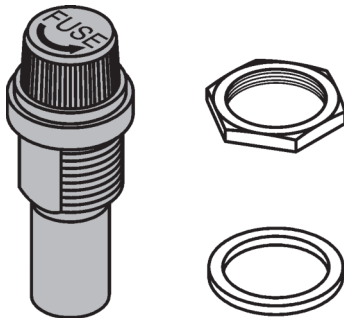


MISCELLANEOUS

Qty.	Description	Part#	Qty.	Description	Part#
<input type="checkbox"/> 1	Transformer	440720	<input type="checkbox"/> 2	Nut 7mm	644101
<input type="checkbox"/> 1	PC Board	512013	<input type="checkbox"/> 1	Nut 6-32	644600
<input type="checkbox"/> 1	Fuse 1A	530100	<input type="checkbox"/> 4	Nut 6-32 Small	644601
<input type="checkbox"/> 1	Rocker Switch	541204	<input type="checkbox"/> 2	Nut 8-32	644800
<input type="checkbox"/> 1	Cover	611120	<input type="checkbox"/> 2	Flat Washer 8mm x 14mm	645101
<input type="checkbox"/> 1	Chassis	612012	<input type="checkbox"/> 2	Lockwasher 5/16"	646101
<input type="checkbox"/> 1	Heat Sink	615010	<input type="checkbox"/> 2	Lockwasher #8	646828
<input type="checkbox"/> 2	Knob	622009	<input type="checkbox"/> 4	Rubber Feet	662003
<input type="checkbox"/> 1	Strain Relief	624003	<input type="checkbox"/> 1	Fuse Holder (Upper Body)	663005UB
<input type="checkbox"/> 5	Insulator Washer	624007	<input type="checkbox"/> 1	Fuse Holder (Lower Body)	663005LB
<input type="checkbox"/> 4	PC Board Stand-off	625001	<input type="checkbox"/> 1	Fuse Holder (Hex Nut)	663005N
<input type="checkbox"/> 2	Black Binding Post	625031	<input type="checkbox"/> 1	Fuse Holder (Washer)	663005W
<input type="checkbox"/> 7	Int. Lockwasher, Binding Post	625031LW	<input type="checkbox"/> 3	Mica Insulator	780002
<input type="checkbox"/> 7	Nut, Binding Post	625031HN	<input type="checkbox"/> 1	Silicon Grease	790005
<input type="checkbox"/> 2	Red Binding Post	625032	<input type="checkbox"/> 6"	20 Ga. Red Wire	813210-6
<input type="checkbox"/> 3	Yellow Binding Post	625034	<input type="checkbox"/> 48"	22 Ga. Red Wire	814201
<input type="checkbox"/> 5	Screw 6-32 x 3/8" Phillips, Pan, Machine	641640	<input type="checkbox"/> 48"	22 Ga. Orange Wire	814310
<input type="checkbox"/> 2	Screw 8-32 x 3/8" Phillips, Pan, Machine	641840	<input type="checkbox"/> 48"	22 Ga. Blue Wire	814610
<input type="checkbox"/> 4	Screw 6 x 3/8" Phillips, Truss, AB, black	642652	<input type="checkbox"/> 1	Line Cord	862105
<input type="checkbox"/> 2	Screw 6 x 3/8" Phillips, Pan, AB, black	642660	<input type="checkbox"/> 2"	Shrink Tubing 1/2" Dia.	891101-2
			<input type="checkbox"/> 1.5"	Shrink Tubing 3/4" Dia.	899110-2
			<input type="checkbox"/> 1	Solder Lead-Free	9LF99

Screw Identification



PARTS IDENTIFICATION

<p>Resistor</p>  <p>.18Ω 3W Resistor</p> 	<p>2kΩ Potentiometer</p> 	<p>Capacitor</p> 	<p>Diode</p> 	<p>Transistor</p> 
<p>Integrated Circuit</p> 	<p>Transformer</p> 	<p>PC Board</p> 		<p>Fuse</p> 
<p>Switch</p> 	<p>Heatsink</p> 	<p>Knob</p> 	<p>Strain Relief</p> 	
<p>Binding Post Assembly</p>  <p>Nut</p> <p>Lockwasher</p> <p>Binding Post</p>	<p>Nuts</p>  <p>7mm 6-32 / 8-32</p>	<p>Mica</p> 	<p>Fuse Assembly</p> 	
<p>Flat Washer</p> 		<p>Lockwashers</p>  <p>#8 5/16"</p>		

IDENTIFYING RESISTOR VALUES

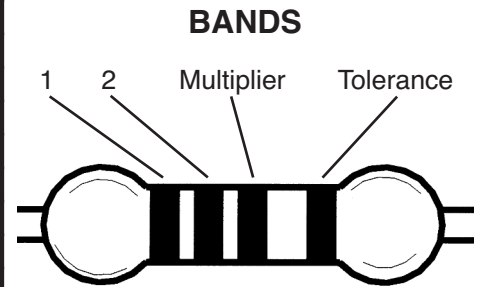
Use the following information as a guide in properly identifying the value of resistors.

BAND 1 1st Digit	
Color	Digit
Black	0
Brown	1
Red	2
Orange	3
Yellow	4
Green	5
Blue	6
Violet	7
Gray	8
White	9

BAND 2 2nd Digit	
Color	Digit
Black	0
Brown	1
Red	2
Orange	3
Yellow	4
Green	5
Blue	6
Violet	7
Gray	8
White	9

Multiplier	
Color	Multiplier
Black	1
Brown	10
Red	100
Orange	1,000
Yellow	10,000
Green	100,000
Blue	1,000,000
Silver	0.01
Gold	0.1

Resistance Tolerance	
Color	Tolerance
Silver	±10%
Gold	±5%
Brown	±1%
Red	±2%
Orange	±3%
Green	±0.5%
Blue	±0.25%
Violet	±0.1%



IDENTIFYING CAPACITOR VALUES

Capacitors will be identified by their capacitance value in pF (picofarads), nF (nanofarads), or μ F (microfarads). Most capacitors will have their actual value printed on them. Some capacitors may have their value printed in the following manner. The maximum operating voltage may also be printed on the capacitor.

Electrolytic capacitors have a positive and a negative electrode. The negative lead is indicated on the packaging by a stripe with minus signs and possibly arrowheads. Also, the negative lead of a radial electrolytic is shorter than the positive one.

Multiplier	For the No.	0	1	2	3	4	5	8	9
	Multiply By	1	10	100	1k	10k	100k	.01	0.1

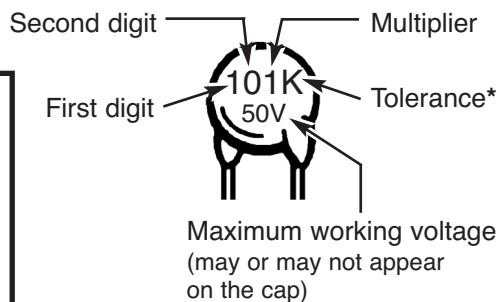
Warning:

If the capacitor is connected with incorrect polarity, it may heat up and either leak, or cause the capacitor to explode.

Axial

Radial

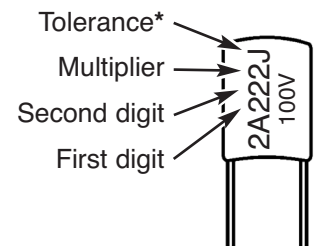
CERAMIC DISC



The value is $10 \times 10 = 100\text{pF}$, $\pm 10\%$, 50V

* The letter M indicates a tolerance of $\pm 20\%$
 The letter K indicates a tolerance of $\pm 10\%$
 The letter J indicates a tolerance of $\pm 5\%$

MYLAR



The value is $22 \times 100 = 2,200\text{pF}$ or $.0022\mu\text{F}$, $\pm 5\%$, 100V

Note: The letter "R" may be used at times to signify a decimal point; as in 3R3 = 3.3

METRIC UNITS AND CONVERSIONS

Abbreviation	Means	Multiply Unit By	Or
p	Pico	.000000000001	10^{-12}
n	nano	.000000001	10^{-9}
μ	micro	.000001	10^{-6}
m	milli	.001	10^{-3}
-	unit	1	10^0
k	kilo	1,000	10^3
M	mega	1,000,000	10^6

1. 1,000 pico units	= 1 nano unit
2. 1,000 nano units	= 1 micro unit
3. 1,000 micro units	= 1 milli unit
4. 1,000 milli units	= 1 unit
5. 1,000 units	= 1 kilo unit
6. 1,000 kilo units	= 1 mega unit

CONSTRUCTION

Introduction

The most important factor in assembling your XP-720K Power Supply Kit is good soldering techniques. Using the proper soldering iron is of prime importance. A small pencil type soldering iron of 25 watts is recommended. **The tip of the iron must be kept clean at all times and well-tinned.**

Solder

For many years leaded solder was the most common type of solder used by the electronics industry, but it is now being replaced by lead-free solder for health reasons. This kit contains lead-free solder, which contains 99.3% tin, 0.7% copper, and has a rosin-flux core.


Lead-free solder is different from lead solder: It has a higher melting point than lead solder, so you need higher temperature for the solder to flow properly. Recommended tip temperature is approximately 700°F; higher temperatures improve solder flow but accelerate tip decay. An increase in soldering time may be required to achieve good results. Soldering iron tips wear out faster since lead-free solders are more corrosive and the higher soldering temperatures accelerate corrosion, so proper tip care is important. The solder joint finish will look slightly duller with lead-free solders.

Use these procedures to increase the life of your soldering iron tip when using lead-free solder:

- Keep the iron tinned at all times.
- Use the correct tip size for best heat transfer. The conical tip is the most commonly used.

- Turn off iron when not in use or reduce temperature setting when using a soldering station.
- Tips should be cleaned frequently to remove oxidation before it becomes impossible to remove. Use Dry Tip Cleaner (Elenco® #SH-1025) or Tip Cleaner (Elenco® #TTC1). If you use a sponge to clean your tip, then use distilled water (tap water has impurities that accelerate corrosion).

Safety Procedures

- **Always wear safety glasses or safety goggles to protect your eyes when working with tools or soldering iron, and during all phases of testing.** 
- Be sure there is **adequate ventilation** when soldering.
- Locate soldering iron in an area where you do not have to go around it or reach over it. Keep it in a safe area away from the reach of children.
- **Do not hold solder in your mouth.** Solder is a toxic substance. Wash hands thoroughly after handling solder.

Assemble Components

In all of the following assembly steps, the components must be installed on the top side of the PC board unless otherwise indicated. The top legend shows where each component goes. The leads pass through the corresponding holes in the board and are soldered on the foil side.

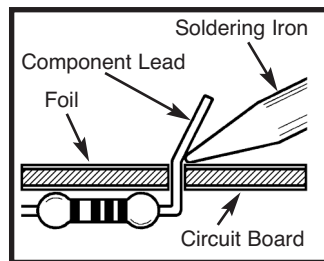
Use only rosin core solder.

DO NOT USE ACID CORE SOLDER!

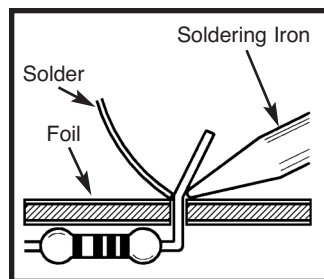
What Good Soldering Looks Like

A good solder connection should be bright, shiny, smooth, and uniformly flowed over all surfaces.

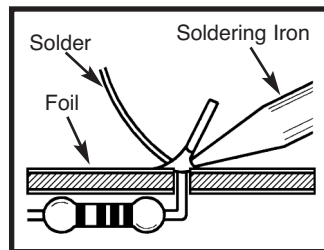
1. Solder all components from the copper foil side only. Push the soldering iron tip against both the lead and the circuit board foil.



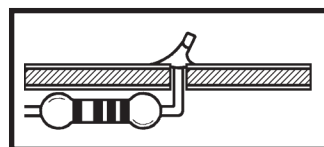
2. Apply a small amount of solder to the iron tip. This allows the heat to leave the iron and onto the foil. Immediately apply solder to the opposite side of the connection, away from the iron. Allow the heated component and the circuit foil to melt the solder.



3. Allow the solder to flow around the connection. Then, remove the solder and the iron and let the connection cool. The solder should have flowed smoothly and not lump around the wire lead.

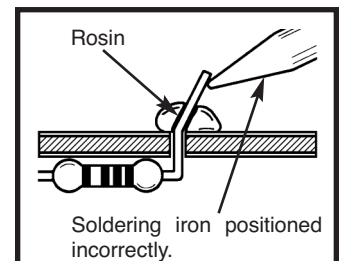


4. Here is what a good solder connection looks like.

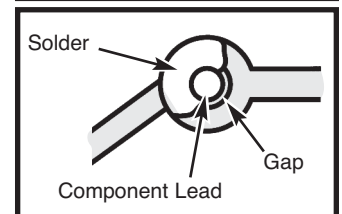


Types of Poor Soldering Connections

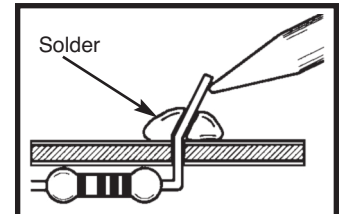
1. **Insufficient heat** - the solder will not flow onto the lead as shown.



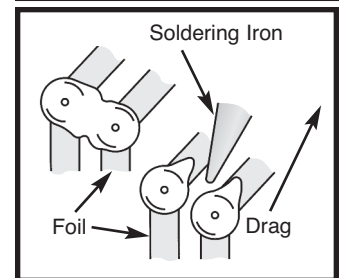
2. **Insufficient solder** - let the solder flow over the connection until it is covered. Use just enough solder to cover the connection.



3. **Excessive solder** - could make connections that you did not intend to between adjacent foil areas or terminals.

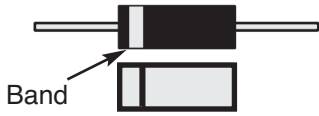


4. **Solder bridges** - occur when solder runs between circuit paths and creates a short circuit. This is usually caused by using too much solder. To correct this, simply drag your soldering iron across the solder bridge as shown.



ASSEMBLE COMPONENTS TO PC BOARD

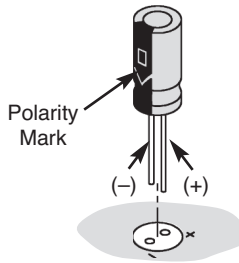
Figure A



Diodes have polarity. Be sure that the band is in the correct direction.

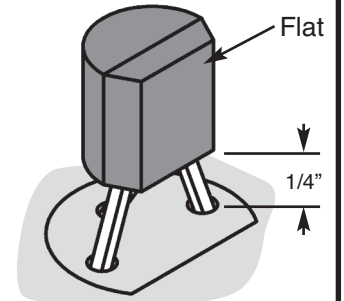
Figure B

Electrolytics have a polarity marking indicating the (-) lead. The PC board is marked to show the lead position.



Warning: If the capacitor is connected with incorrect polarity it may heat up and either leak or cause the capacitor to explode.

Figure C



Mount the transistor with the flat side as shown on the top legend. Leave 1/4" between the part and PC board.

- D5 - 1N5400 Diode
 - D6 - 1N5400 Diode
 - D7 - 1N5400 Diode
 - D8 - 1N5400 Diode
- (see Figure A)

- D4 - 1N4001 Diode
 - D3 - 1N4001 Diode
 - D2 - 1N4001 Diode
 - D1 - 1N4001 Diode
- (see Figure A)

- C1 - 10 μ F Electrolytic
 - C2 - 10 μ F Electrolytic
 - C3 - 10 μ F Electrolytic
 - C4 - 10 μ F Electrolytic
 - C8 - 10 μ F Electrolytic
- (see Figure B)

- R2 - 150 Ω Resistor
- R1 - 150 Ω Resistor (brn-green-brn-gold)

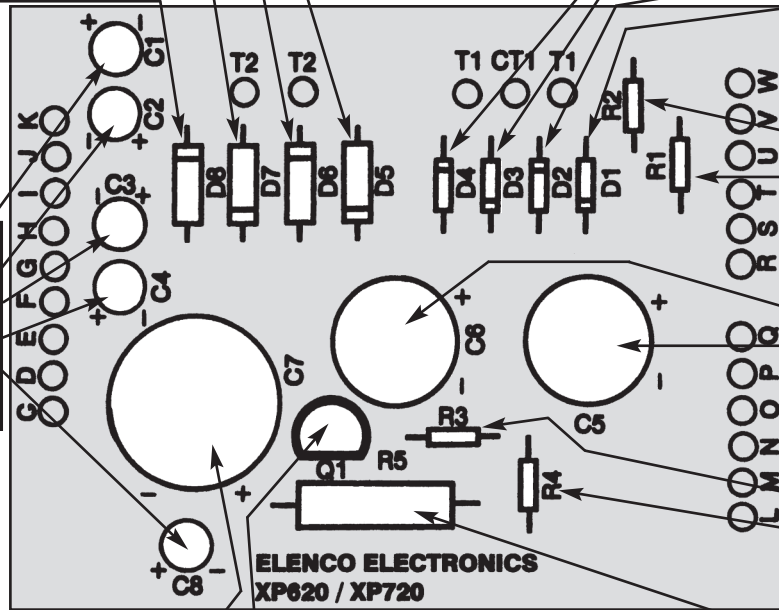
- C6 - 2200 μ F Electrolytic
 - C5 - 2200 μ F Electrolytic
- (see Figure B)

- R3 - 2.7 Ω Resistor
- R4 - 2.7 Ω Resistor (red-violet-gold-gold)

- C7 - 4700 μ F Electrolytic
- (see Figure B)

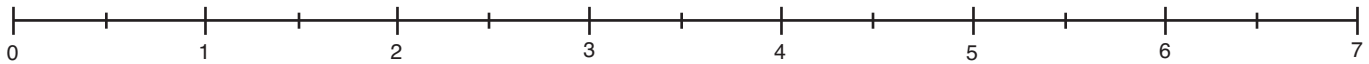
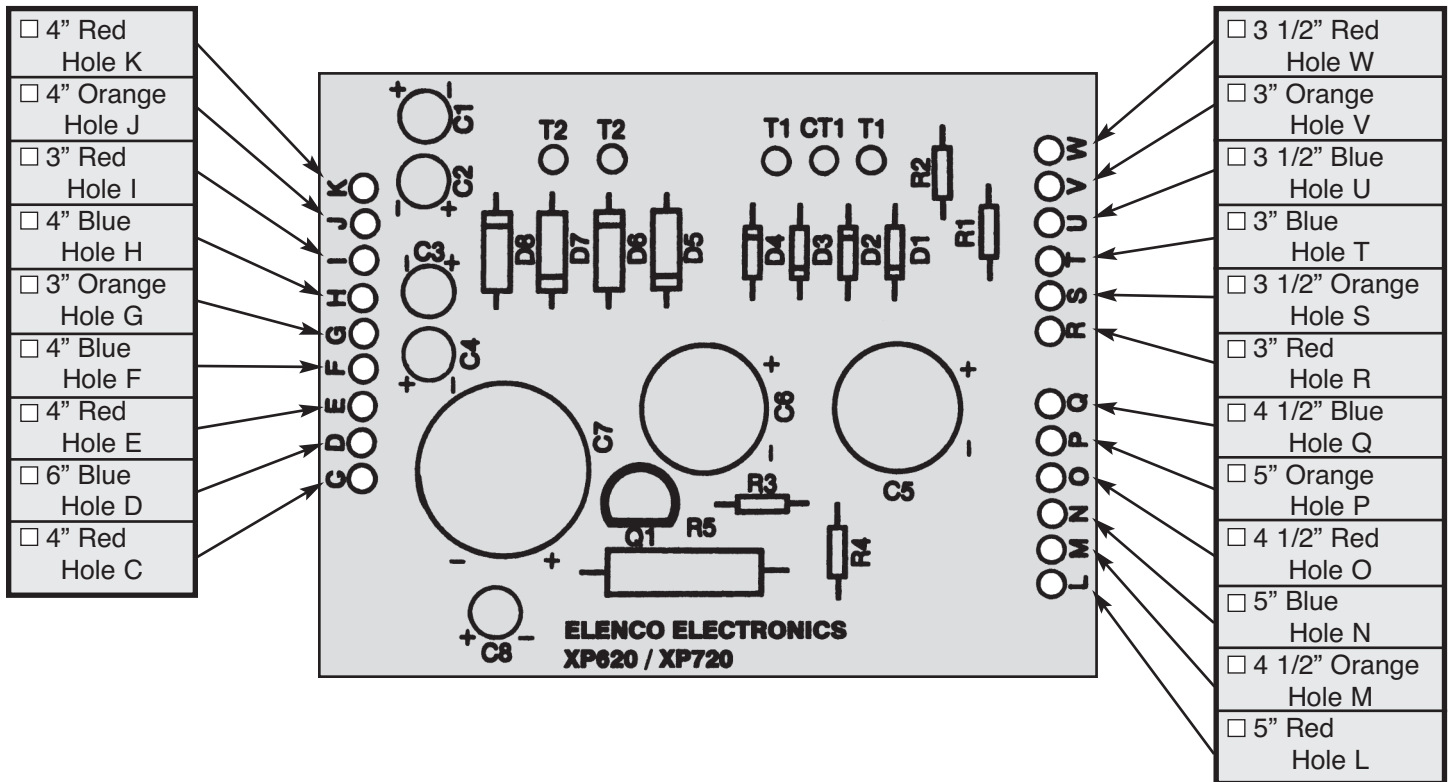
- R5 - .18 Ω Resistor

- Q1 - A70 Transistor
- (see Figure C)



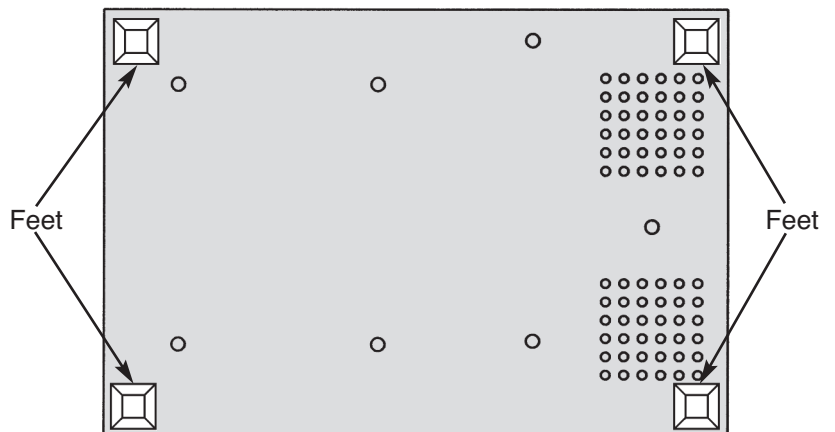
PC BOARD WIRING

Cut the 22 gauge wires to the required length. Strip 1/4" of insulation off of both ends. Insert the lead into the hole and solder it to the foil side.



Use this ruler to measure the wires when cutting them to their required lengths.

□ Peel off the protective paper from the bottom of the rubber feet and apply one to each corner on the bottom of the chassis, as shown.



PANEL ASSEMBLY

- ❑ Install binding posts 1-7 with the colors in order, as shown in Figure D. Insert the post into the hole and fasten it with the nut and lockwasher. Tighten down the nut with pliers.
- ❑ Cut off the tabs on the two potentiometers and install them with the lugs up, as shown in Figure D. Secure in place with a 5/16" lockwasher, 8mm flat washer and 7mm nut.
- ❑ Turn both potentiometer shafts all the way counter-clockwise. Line up the line on the knobs with the first line on the voltage scale. Press knobs onto the shaft of the potentiometers.
- ❑ Note the lug configuration on the rocker switch. Push the switch into the hole in the chassis with lug 1 on top as shown in Figure D.

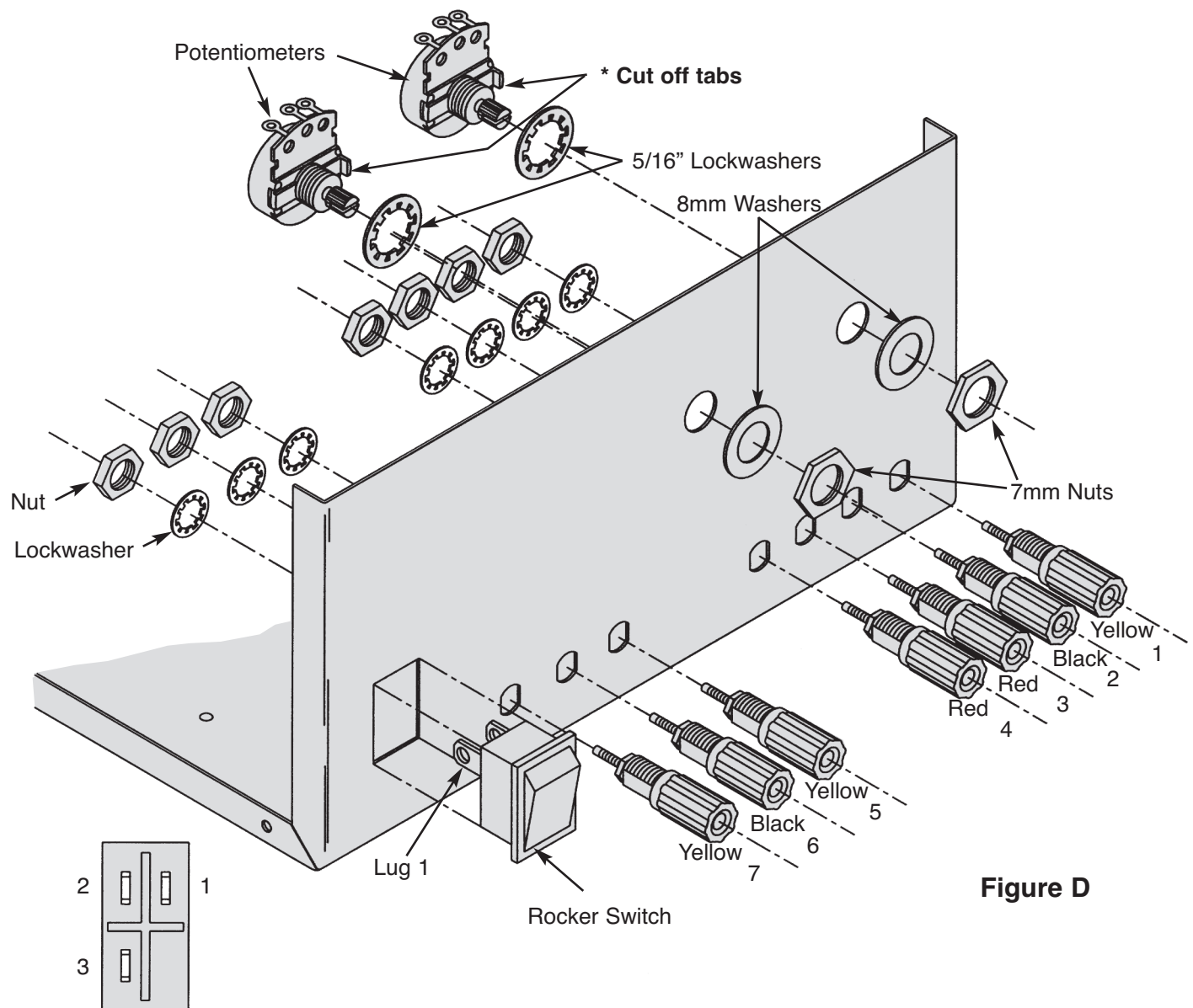


Figure D

Rear View of Rocker Switch

Carefully bend the leads of IC1, IC2, IC3 and Q2 on the heat sink at right angles with pliers.

Install IC1, IC2 and Q2 in the positions shown in Figure E. Fasten in place using the parts shown in Figure F. Spread the silicon grease on the back of the transistor and ICs.

- IC1 - LM-317 IC
- IC2 - LM-337 IC
- Q2 - 2N6124 Transistor

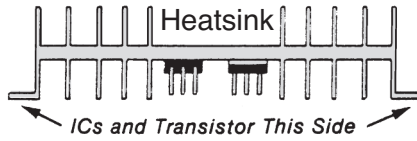
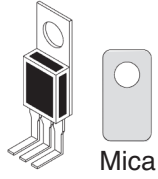


Figure E

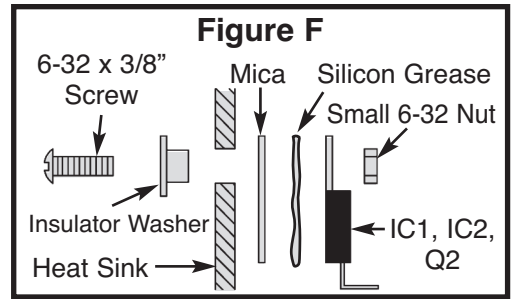


Figure F

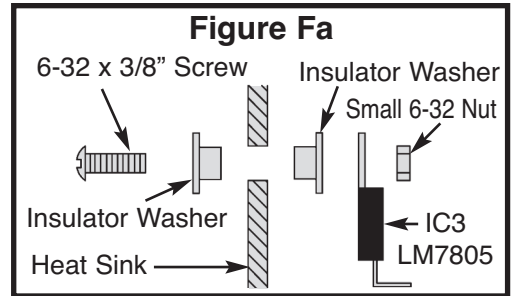


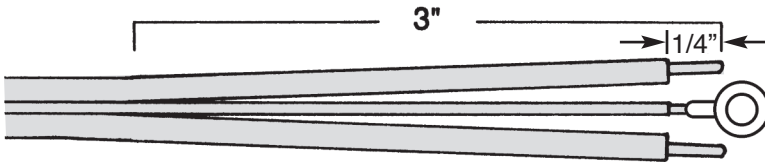
Figure Fa

Install IC3 as shown in Figure Fa.

- IC3 - LM-7805 IC

- Mount the fuse holder to the top hole in the back of the chassis, with the side lug up, as shown in Figure G. Fasten in place with the 3/8" nut. After the holder is secure, unscrew the top and insert the fuse.

- Separate the wires of the line cord 3" from the end. Strip the insulation off the end of all two end wires to expose 1/4" of bare wire.



- Insert 6" of the line cord into the bottom hole on the back of the chassis, as shown in Figure G. Place the line cord into the slot of the strain relief and squeeze the two sections together with pliers. Then, insert the strain relief into the hole.

- Install the transformer with the black wires side as shown in Figure I. Use an 8-32 x 3/8" screw, #8 lockwasher and an 8-32 nut on each side to fasten in place, as shown in Figure H.

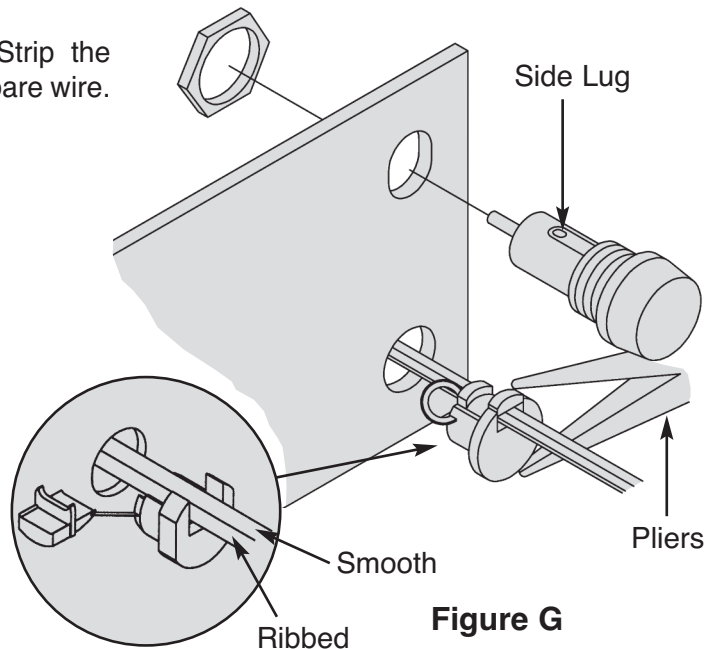


Figure G

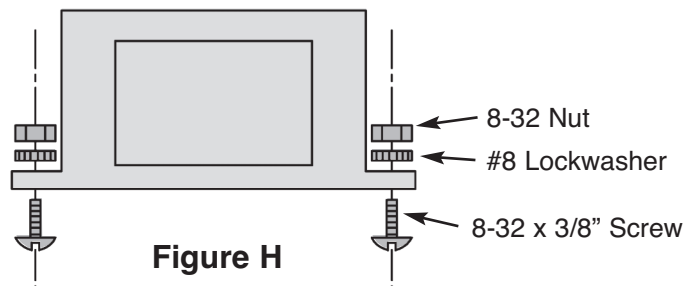


Figure H

WIRE BINDING POSTS AND 317, 337

Solder the wires from the board to the binding posts, as shown in Figure K.

- ❑ 3" Orange wire from (G) on the PC board; To the Yellow post (-1.25 - 15V).
- ❑ 4" Blue wire from (H) on the PC board and the 6" blue wire from the black AC binding post; To the Black post (common).
- ❑ 3" Red wire from (I) on the PC board; To the Red post (+1.25 - 15V).
- ❑ 4" Red wire from (C) on the PC board; To the Red post (+5V 3A).

Place the heat sink with ICs and transistor in the position, as shown in Figure K. Insert the wires from the PC board, through the rectangular hole in the chassis, to the ICs and solder into place.

Tin the leads. Form the end of the wires into a tight loop, for easy, tight connection to leads, before you apply solder.

- ❑ 3 1/2" Red wire (W) from PC board; To middle lead of LM-317.
- ❑ 3 1/2" Orange wire (S) from PC board; To left lead of LM-317.
- ❑ 3 1/2" Blue wire (U) from PC board; To right lead of LM-317.
- ❑ 3" Red wire (R) from PC board; To middle lead of LM-337.
- ❑ 3" Blue wire (T) from PC board; To left lead of LM-337.
- ❑ 3" Orange wire (V) from PC board; To right lead of LM-337.

After wiring the ICs, be sure that none of the leads touch each other and cause a short.

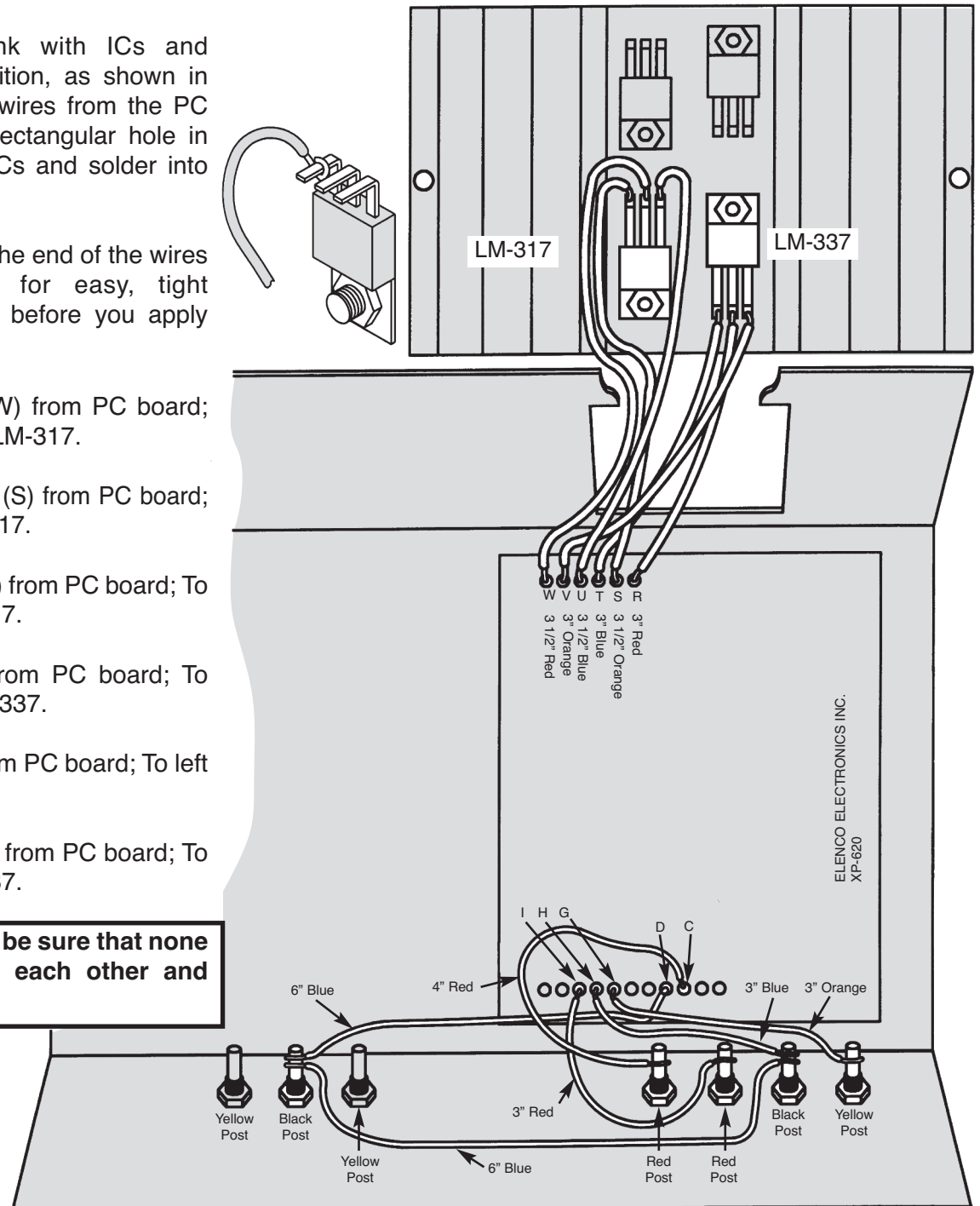


Figure K

WIRE 2N6124, 7805 & POTENTIOMETERS

Insert the wires from the PC board through the rectangular hole in the chassis to the 2N6124 and LM-7805, solder into place, as shown in Figure L.

- 5" Red wire (L) from the PC board; To middle lead of 2N6124.
- 5" Orange wire (P) from the PC board; To left lead of 2N6124.
- 5" Blue wire (N) from the PC board; To right lead of 2N6124.
- 4 1/2" Red wire (O) from PC board; To middle lead of LM-7805.
- 4 1/2" Blue wire (Q) from PC board; To left lead of LM-7805.
- 4 1/2" Orange Wire (M) from PC board; To right lead of LM-7805.

After wiring, be sure that the leads do not touch each other and cause a short.

Solder the wires from the PC board to the potentiometers, as shown in Figure L.

- 4" Red wire (E) from PC board; To middle lug of the positive voltage pot.
- 4" Blue wire (F) from PC board; To right lug on the positive voltage pot.
- 4" Orange wire (J) from PC board; To middle lug on the negative voltage pot.
- 4" Red wire (K) from PC board; To right lug on negative voltage pot.

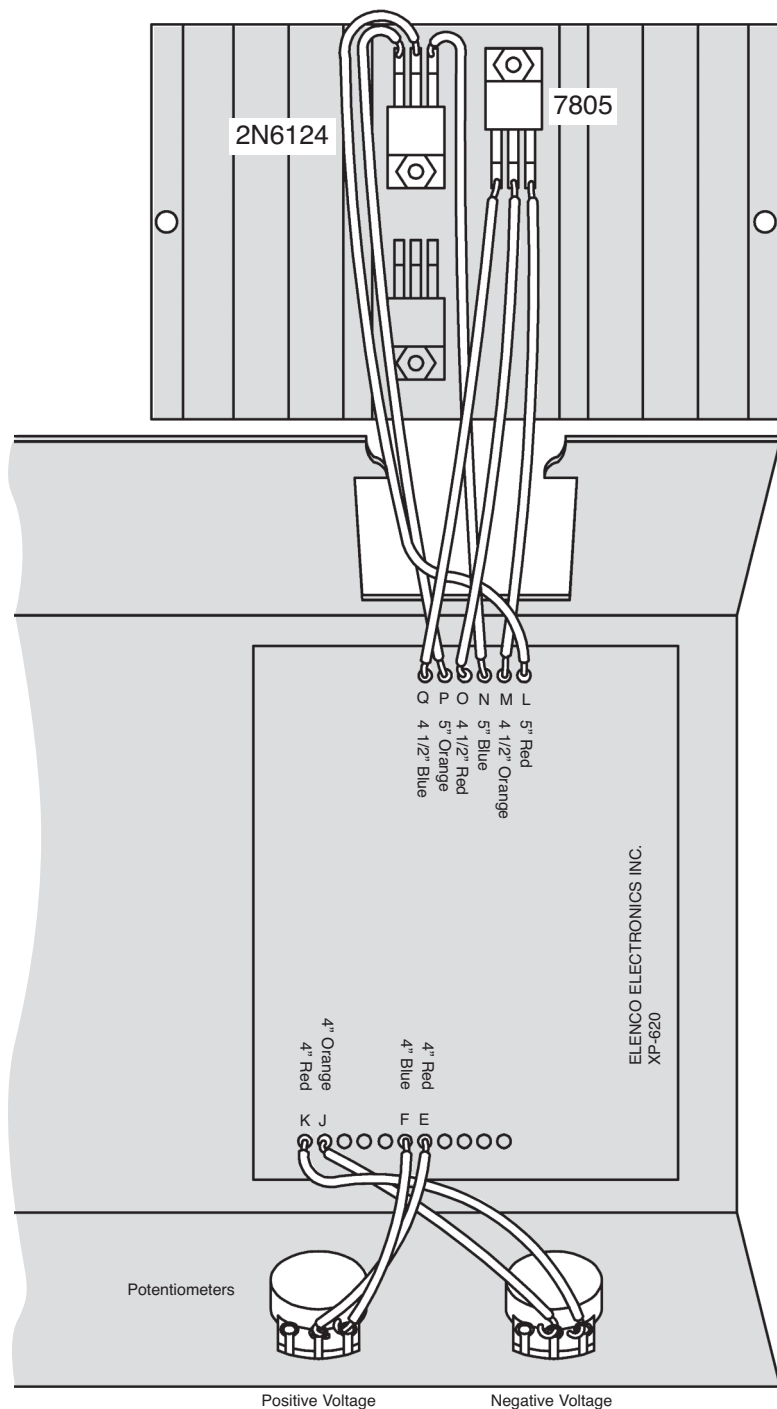
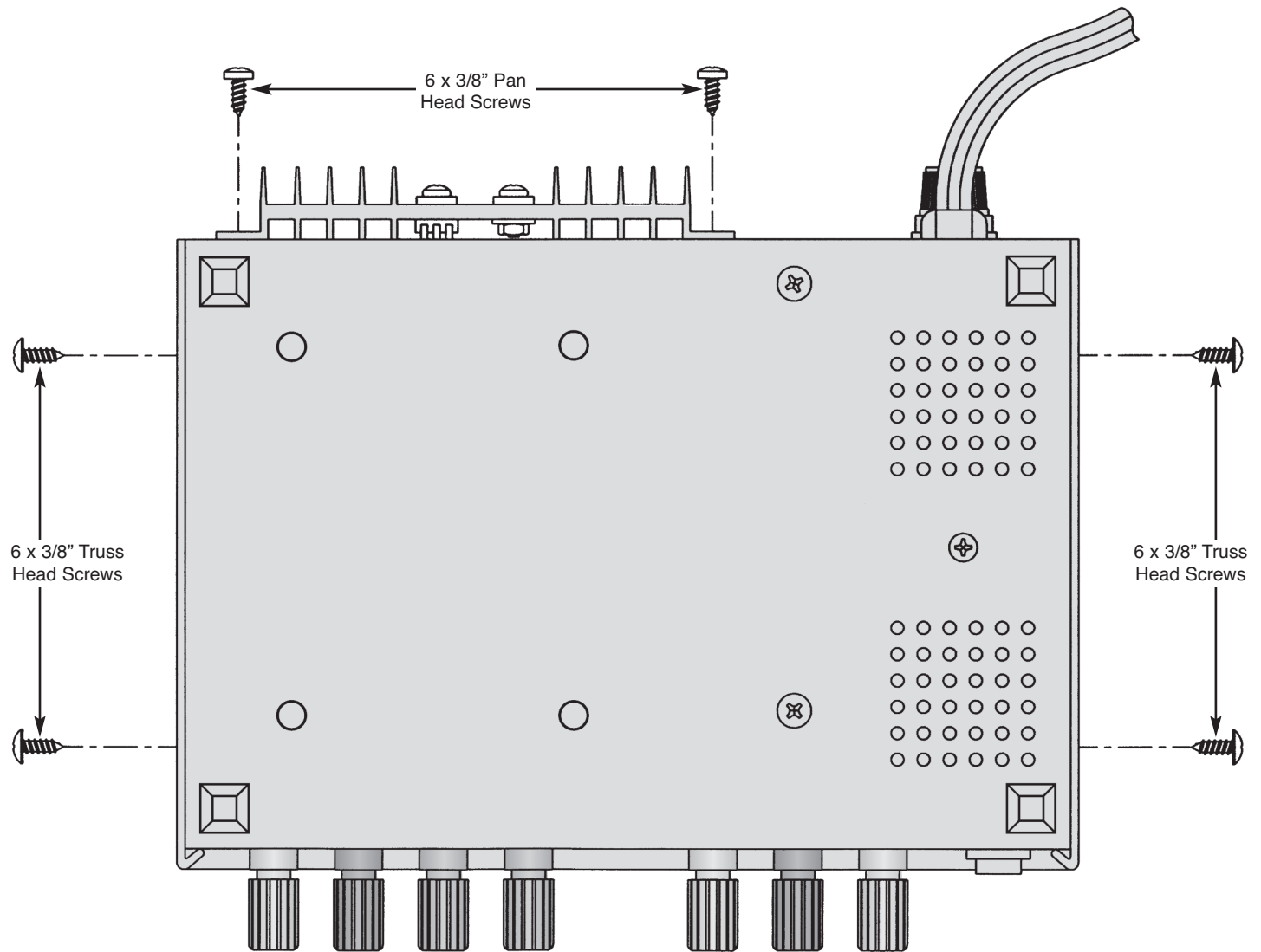


Figure L

FINAL ASSEMBLY

- Fasten the heat sink to the chassis with two 6 x 3/8" black pan head screws, as shown in Figure M.
- Fit the cover onto the chassis. Fasten in place with two 6 x 3/8" black truss head screws on each side, as shown in Figure M.



**Bottom View
Figure M**

TESTING THE XP-720 POWER SUPPLY

Testing the XP-720 Power Supply is very simple. Before applying power to the unit, be sure that all wiring and soldering is firm. If so, obtain a digital voltmeter.

1. Apply power to the XP-720 and measure the output voltages.

Output Voltages:

Positive Variable DC	1.25 - 15V
Negative Variable DC	-1.25 - -15V
+5VDC	4.75 - 5.25
12.6VAC	11 - 14

2. Short the output of each of the DC outputs to ground one at a time. **ONLY SHORT THE DC OUTPUTS.** They should turn off and recover when the short is removed.

3. Load Test

In making these tests, the voltmeter leads should be clipped to the terminal directly and not the load, to prevent errors in voltage drop due to contact resistance of the load.

You can use a lower wattage resistor, but only connect it for a few seconds.

Variable DC: Set the voltage to 10V. Connect a 10 Ω , 10W resistor from the output to ground. The output should not change more than 0.20V.

+5VDC: Connect a 2.5 Ω , 12W resistor from the output to ground. The output should not change more than 0.20V.

Should any of these tests fail, please refer to the troubleshooting guide.

TROUBLESHOOTING GUIDE

No 1.25 - 15V Output Voltage

- 1) Check the AC voltage at anode of D1. It should read about 17VAC. If not, check the fuse, transformer, ON/OFF switch or line cord.
- 2) Measure voltage at output of D1. It should read about 20VDC. If not, check D1, D3 and C5.
- 3) If 20V is OK, check IC1.

No Negative Voltage Output

- 1) Check the voltage at the output of D4. It should be -20VDC. Check D2, D4 and C6 and make sure that they are not in backwards.
- 2) If DC is OK, then check IC2.

No 5V Output

- 1) Check the voltage across the transformer winding. It should read about 12 volts. If not, check the diode bridge or C7.
- 2) Measure the DC voltage at the output of the diode bridge. It should read about 12 volts. If not, check the diode bridge or C7.
- 3) If DC is OK, check IC3, Q1 and Q2.

Poor Regulation on any Supply

- 1) Check DC voltage at the input of the regulator. It should be greater than 18 for 1.25 - 15V output and 8V for 5V output.
- 2) Check AC ripple at the input of the regulator. It should be less than 5V for the variable supply and the 5V supply.
- 3) If the ripple is greater, then check the diodes and its filter capacitor.

Fails to Shut Down on 5V Overload

- 1) Check transistor Q1 and resistors R3, R4 and R5.

Unable to Draw 3 Amps at 5 Volts

- 1) Check transistor Q2 and resistors R3 and R4.

No AC Output

- 1) Check the power switch and fuse.
- 2) Check the solder connections to the binding posts.

CIRCUIT DESCRIPTION

Introduction

The Model XP-720 Power Supply features three solid-state DC power supplies and a 12.6VAC center-tapped output. The first two supplies consist of one positive and one negative 1.25 to 15 volts at 1 ampere. The third has a fixed 5V at 3 amperes. All DC supplies are fully regulated. A special IC circuit keeps the output voltage within 0.2V when going from no load to full load. The output is fully protected from short circuits. This supply is ideal for use in school labs, service shops or anywhere a precise DC voltage is required. The AC section has 6.3VAC @ 1A and a 12.6 center tapped @ 1A.

The Positive 1.25-15V Power Supply

Figure 1 shows a simplified circuit diagram of the positive supply. It consists of a power transformer, a DC rectifier stage and the regulator stage.

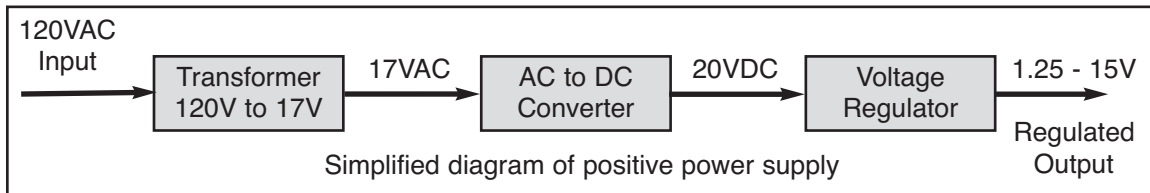


Figure 1

Transformer

The transformer T1 serves two purposes. First, it reduces the 120VAC input to 17VAC to allow the proper voltage to enter the rectifier stages. Second, it isolates the power supply output from the 120VAC line. This prevents the user from dangerous voltage shock should the user be standing in a grounded area.

AC to DC Converter

The AC to DC converter consists of diodes D1 and D2 and capacitor C1. Transformer T1 has two secondary windings which are 180 degrees out of phase. The AC output at each winding is shown in Figure 2A and 2B.

Diodes are semiconductor devices that allow current to flow in one direction. The arrow in Figure 3 points to the direction that the current will flow. Only when the transformer voltage is positive will current flow through the diodes. Figure 3 shows the simplest possible rectifier circuit. This circuit is known as a half-wave rectifier. Here the diode conducts only half of the time when the AC wave is positive as shown in Figure 2C. Use of this circuit is simple but inefficient. The big gap between cycles require much more filtering to obtain a smooth DC voltage.

By addition of a second diode and transformer winding, we can fill in the gap between cycles as shown in Figure 4. This circuit is called full-wave rectification. Each diode conducts when the voltage is positive. By adding the two outputs, the voltage presented to capacitor C1 is more complete, thus easier to filter, as shown in Figure 2E. When used in 60 cycles AC input power, the output of a full wave rectifier will be 120 cycles.

Capacitor C1 is used to store the current charges, thus smoothing the DC voltage. The larger the capacitor, the more current is stored. In this design, 2200 μ F capacitors are used, which allows about 3 volts AC ripple when one amp is drawn.

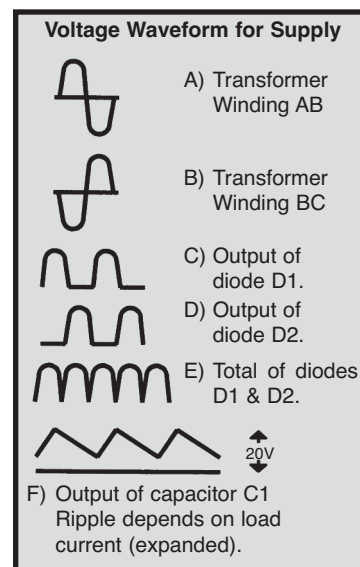


Figure 2

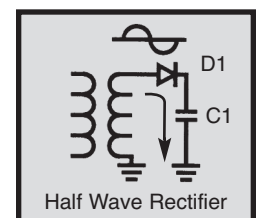


Figure 3

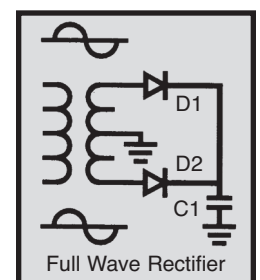


Figure 4

In practice, the current through the diodes is not as shown in Figure 2C. Because capacitor C5 has a charge after the first cycle, the diode will not conduct until the positive AC voltage exceeds the positive charge in the capacitor. Figure 5 shows a better picture of what the current flow looks like, assuming no loss in the diode.

It takes a few cycles for the voltage to build up on the capacitor. This depends on the resistance of the winding and diode. After the initial start-up, there will be a charge and discharge on the capacitor depending on the current drawn by the output load. Remember current only flows through the diode when the anode is more positive than the cathode. Thus, current will flow in short bursts as shown in Figure 5C.

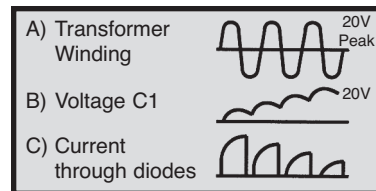


Figure 5

The DC load current may be one ampere, but the peak diode current may be three times that. Therefore, the diode rating must be sufficient to handle the peak current. The 1N4001 has peak current rating of 10 amps.

Regulator Circuit

The regulator circuit in the Model XP-720 power supply consists of a LM-317 integrated circuit. This IC is specially designed to perform the regulation function. Figure 6 shows a simplified circuit of how the LM-317 IC works.

Transistors Q1 and Q2 form a circuit known as a differential amplifier. Transistor Q1 base is connected to a stable 1.5V reference voltage. The base of Q2 is connected to the regulator output circuit through a voltage divider network. The collector of transistor Q2 is connected to a current source. This basically is a PNP transistor biased to draw about 1mA of current. Transistor Q2 sees the current source as a very high resistor of about 1 meg ohms. Thus, the gain of transistor Q2 is extremely high.

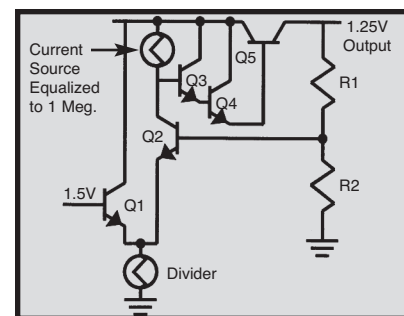


Figure 6

Transistor Q5 is called the pass transistor. It controls the current reaching the output. Transistors Q3 and Q4 are emitter followers. Their function is to raise the impedance of the pass transistor. Note that transistors Q2, Q3, Q4 and Q5 and resistor R1 form a close loop. Also, note that the feedback to the base of Q2 is negative, that is, when the base of Q2 goes positive, the output at emitter Q5 goes negative. Now if the 1.25V output voltage goes down because of current drain at the output, the base of Q2 will drop forcing the collector voltage of Q2 to go higher. This will bring the output voltage back to 1.25V. This is the basis of all negative regulators.

Another feature of the LM-317 regulator is to protect the IC against overload and output shorts. If the IC is overloaded, the junction of an overload transistor will overheat. A transistor will sense this overheating and shut down transistor Q5.

The 5 Volt Power Supply

In the previous discussion of the variable voltage regulators, the ICs can handle about 1A of current. In the design of the 5V supply, we need 3A of current. To meet this current requirement, we must add an external pass transistor capable of delivering 3A.

Figure 7 shows a simplified 5V regulator with an external PNP pass transistor. In this circuit, transistor is a power transistor capable of delivering over 3A. The transistor is biased off until the LM-7805 IC draws about 0.2A. When 0.2A is drawn by the LM-7805 IC, the voltage drop across the 3 ohm resistor is 0.6V, enough to turn on the transistor. The transistor takes over and delivers the current to the output. Note that if the output voltage goes down, the LM-7805 regulator will draw more current, forcing the output voltage back to 5V. Thus, the LM-7805 regulator controls the output voltage and keeps it at 5V.

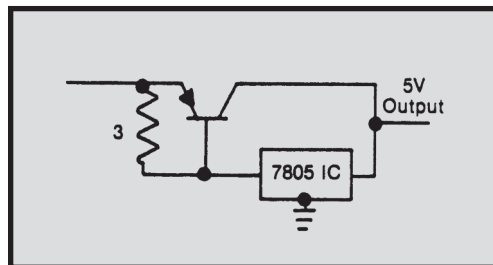


Figure 7

Unfortunately, this circuit has no control of the output maximum current. If the output is shorted to ground, the transistor will be overloaded and eventually be damaged. The LM-7805 IC will only draw the 0.2A it was designed to handle and never heat up to turn itself off. Another transistor, Q1, is added to limit maximum current (see Figure 8). Resistor R5 is added to sense the current in transistor Q2. When approximately 3A is drawn in transistor Q2, the voltage drop in resistor R5 will turn on transistor Q1. This will force more current in the LM-7805 IC. Eventually the LM-7805 IC will overheat turning itself off and thus limiting the circuit at about 2.6A.

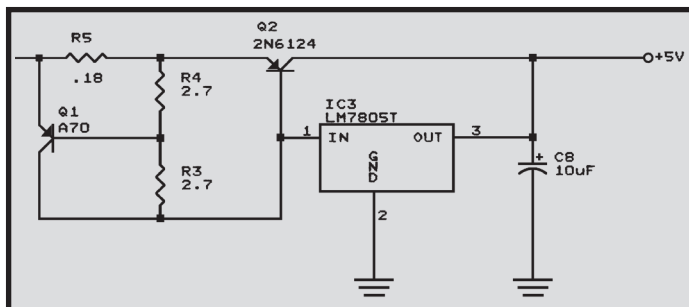


Figure 8

The first 0.2A of current is drawn by the LM-7805 IC. The next 3A are drawn by transistor Q2. Thereafter, the current is drawn by the LM-7805 IC until it overheats and turns itself off. This is a very effective circuit capable of regulating the output voltage at a constant 5 volts and yet delivering over 3A of current.

AC Power Supply

The section features a 12.6VAC center-tapped output. Two secondary windings from the transformer are connected directly to the yellow binding posts. Connecting from one of the outputs to the center black binding post will give you 6.3VAC. The maximum output current for 12.6VAC and 6.3VAC is 1A.

WARRANTY POLICY

Your power supply has been tested and conforms to our rigid requirements on performance and durability. It is guaranteed to be free of defects in workmanship, materials and construction for a period of 2 years. If this product should fail during normal use within the first 3 months from the date of purchase, ELENCO® will repair or replace the unit at no cost. For the remainder of the warranty period, a nominal service charge is required to cover shipping and handling.

When returning merchandise for repair, please include proof of purchase, a brief letter of explanation of problem and sufficient packing material. Before returning any merchandise, please call our service department at (847) 541-3800 to obtain a return authorization number (RA).

ELENCO® Service Department
150 Carpenter Avenue • Wheeling, IL 60090

QUIZ

1. AC voltage is supplied to the rectifier stages by the . . .
 - A. step up transformer.
 - B. step down transformer.
 - C. 1 to 1 transformer.
 - D. AC to DC transformer.
2. The secondary windings of the transformer are . . .
 - A. 90° out of phase.
 - B. 180° out of phase.
 - C. 270° out of phase.
 - D. 320° out of phase.
3. Diodes allow current to flow . . .
 - A. when the anode is more negative than the cathode.
 - B. when the cathode is more positive than the anode.
 - C. in one direction.
 - D. when a negative or positive voltage is on the anode.
4. What circuit is more efficient for rectifying AC to DC?
 - A. Hartley oscillator.
 - B. Half-wave.
 - C. Schmitt trigger.
 - D. Full wave.
5. The DC voltage is smoothed by using a . . .
 - A. half-wave rectification circuit.
 - B. small value capacitor with a high voltage value.
 - C. Large value capacitor.
 - D. 90° out of phase rectification circuit.
6. An inefficient rectification circuit usually contains . . .
 - A. large gaps between cycles.
 - B. twice the AC voltage needed.
 - C. more diodes.
 - D. all of the above.
7. The maximum current that a diode can handle is determined by . . .
 - A. the transformer's current rating.
 - B. the amount of AC ripple.
 - C. three times the diode rating.
 - D. peak current rating.
8. The LM-317 will shut down when . . .
 - A. the output voltage is too high.
 - B. no current is being drawn.
 - C. the junction overheats.
 - D. the output voltage drops to 1.25V.
9. The LM-317 regulator contains . . .
 - A. a pass transistor.
 - B. a constant current source.
 - C. a differential amplifier.
 - D. all of the above.
10. The LM-317 is basically . . .
 - A. a 1.25V regulator.
 - B. a 6.25V regulator.
 - C. a 2.5V regulator.
 - D. a negative voltage regulator.

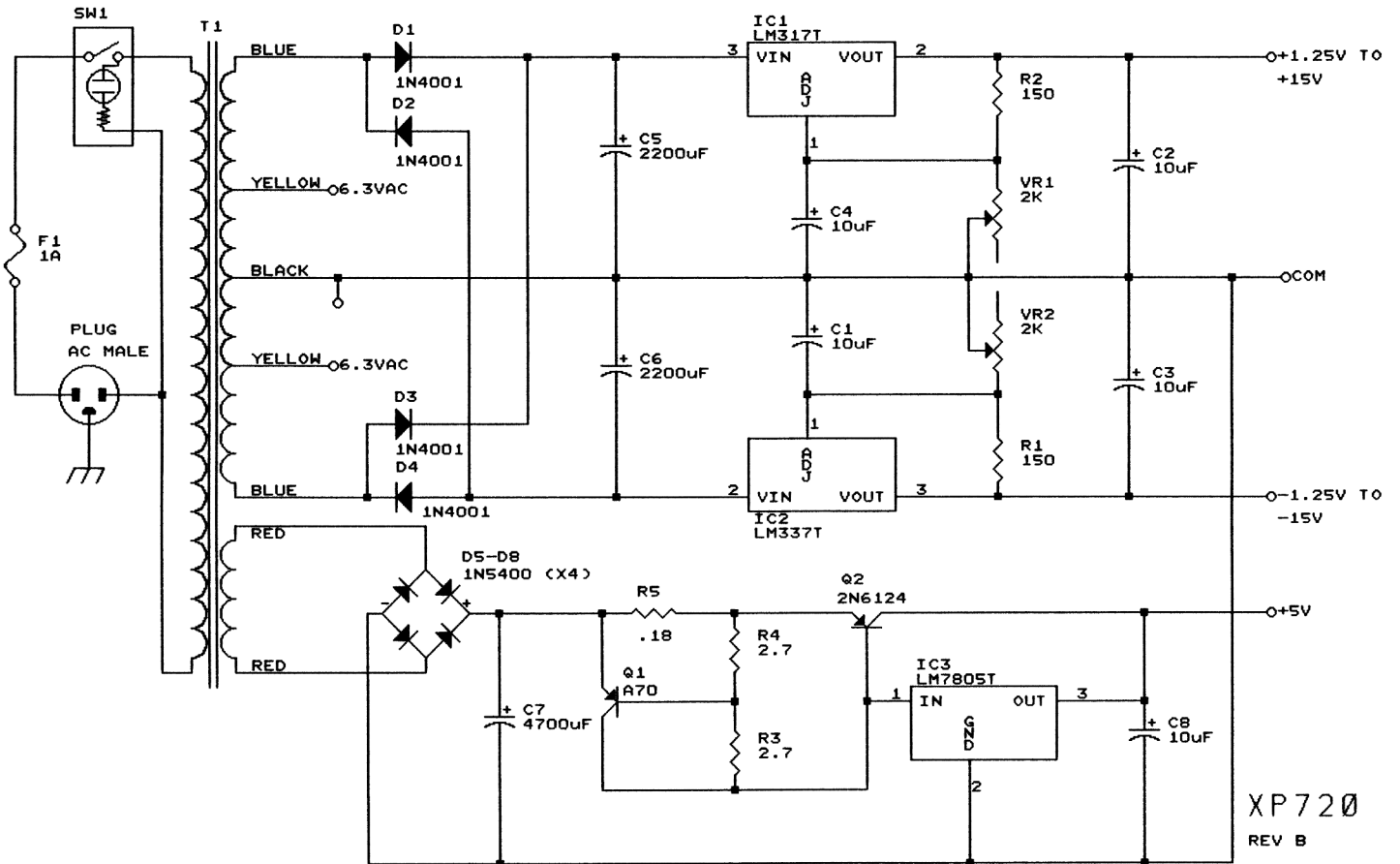
Answers: 1. B, 2. B, 3. C, 4. D, 5. C, 6. A, 7. D, 8. C, 9. D, 10. A

SPECIFICATIONS ON XP-720 POWER SUPPLY

Input Voltage	110-130VAC
Current Protection	1A
Output Voltage (at 120V input)	1) 1.25-15VDC @ 1A 2) -1.25 - -15VDC @ 1A 3) 5VDC @ 3A 4) 6.3, 12.6CTAC @ 1A
Output Regulation	200mV each supply
Line Regulation	100mV each supply
Ripple Max	5mV rms
Current Protection	Thermal overload ± 15 VDC Current limiting 5VDC Fuse 6.3VAC
Short Protection	Current limiting 5VDC, ± 15 VDC Fuse 6.3VAC
Output Impedance	0.2Ω ± 15 VDC 0.06Ω 5VDC

Maximum output individually rated.

SCHEMATIC DIAGRAM



ELENCO®

150 Carpenter Avenue

Wheeling, IL 60090

(847) 541-3800

Website: www.elenco.com

e-mail: elenco@elenco.com