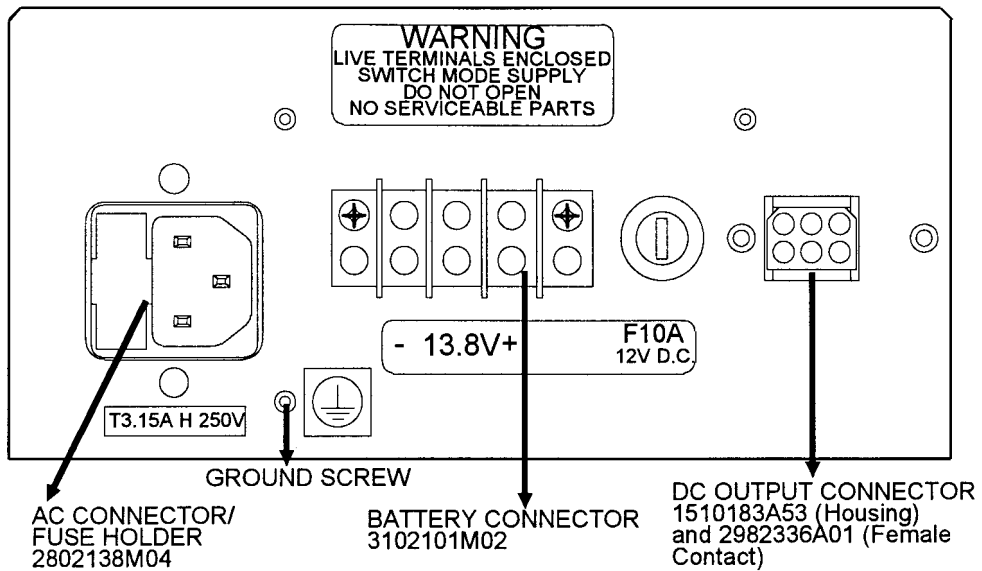
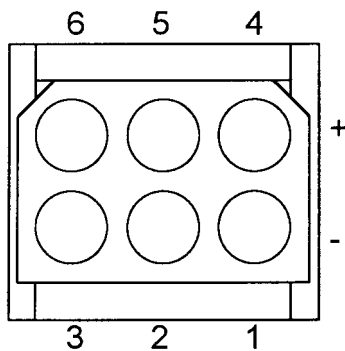


2.7 Power Supply GPN6133 (EMC/CE Approved)

REAR VIEW

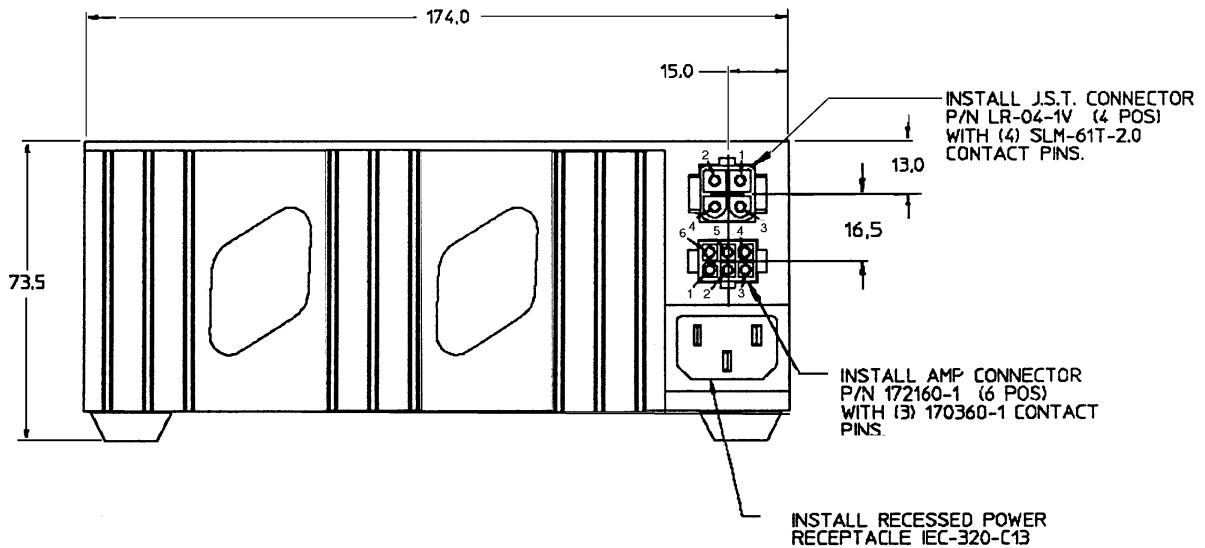


PIN DESCRIPTION OF THE DC OUTPUT MOLEX CONNECTOR:



- Pin 1 - 0 VDC
- Pin 2 - On Battery
- Pin 3 - Not used
- Pin 4 - 13.8 VDC
- Pin 5 - Low Battery
- Pin 6 - Not used

2.8 Power Supply HPN8393 (Not EMC Approved)



Electrical Characteristics

Input Voltages: 105-125VAC; 210-250VAC, 47-63Hz

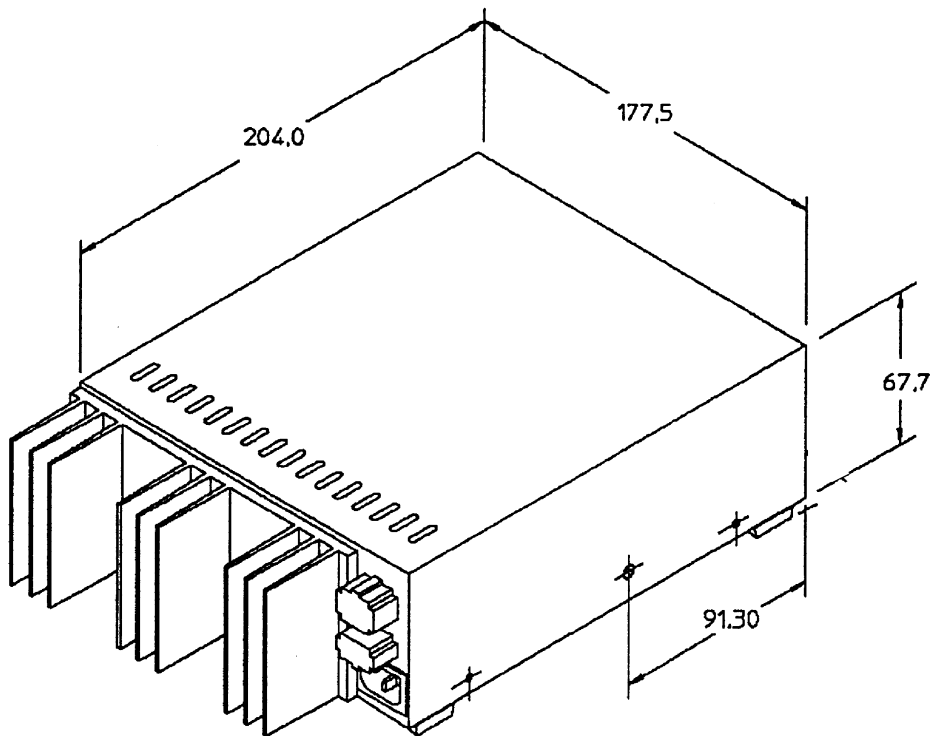
Output Voltage: 13.8VDC \pm 0.1 volts
(internally adjustable 11-15VDC)

Ripple: less than 5mV peak to peak
(full load and low line)

Provides 8 amps continuous duty and 14 amps intermittent duty over an ambient temperature range of -30 to +60°C .

(4 Pos) Positions 1 and 2 are positive power output terminals and positions 3 and 4 are for negative power output terminals for 14 amp max. current.

(6 Pos) Position 1 is negative power output terminal for 3 amp max current. Positions 2,3,6 are empty. Position 4 is positive 13.8VDC power output terminal. Position 5 is positive trickle charge output terminal.



Schematic Diagram

