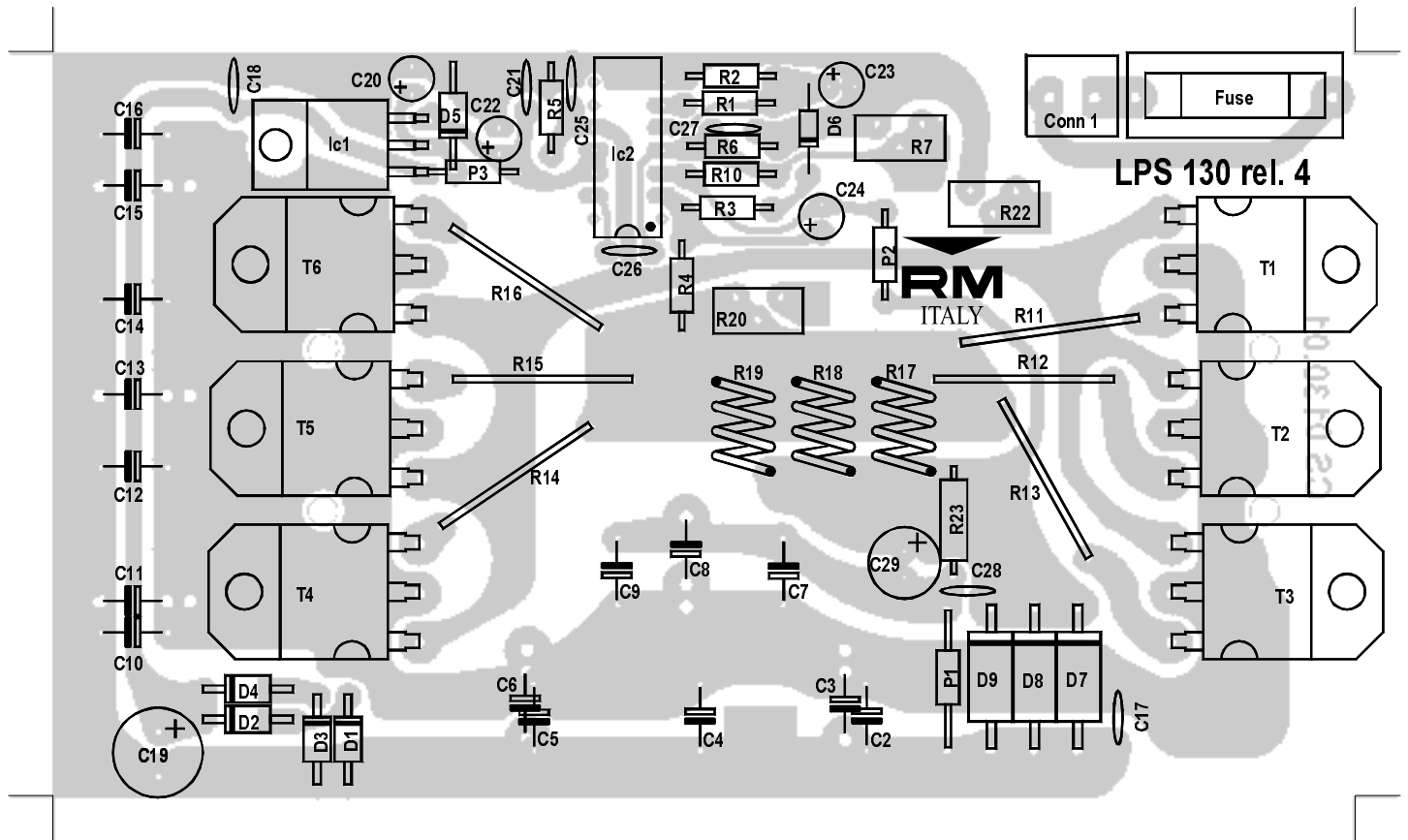
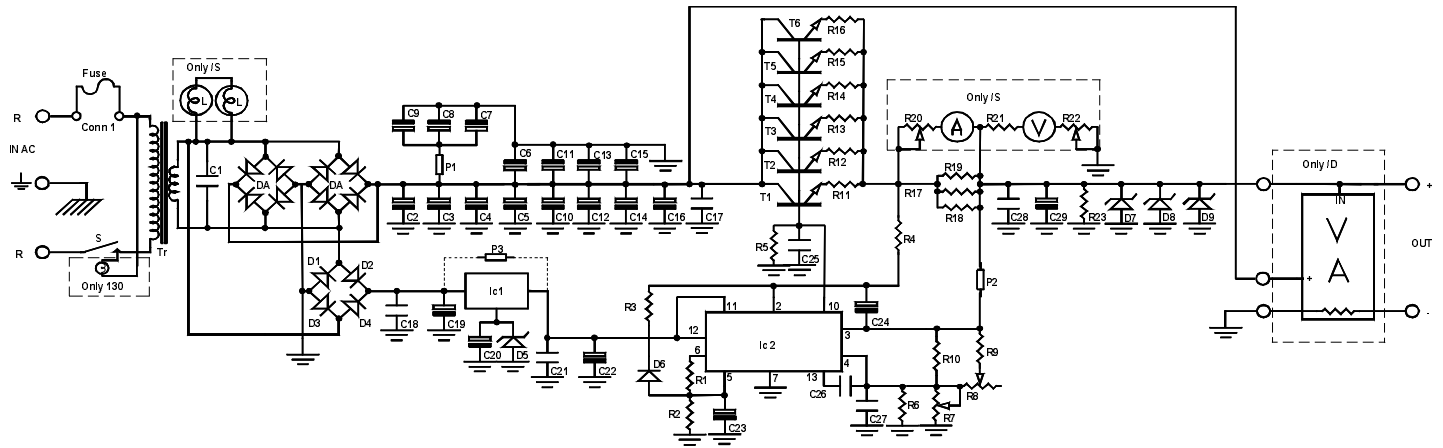


LPS 130 power supply

Schematic diagram

Version 4.00



List of components

C 1	= 1,0 μ F	63 V~	R 20	= Not present
C 2	= 4700 μ F	25 V	R 21	= Not present
C 3	= Not present		R 22	= Not present
C 4	= 4700 μ F	25 V	R 23	= 1,0 K Ω ½ W
C 5	= Not present		P 1	= 0 Ω Bridge
C 6	= Not present		P 2	= 0 Ω Bridge
C 7	= 4700 μ F	25 V	P 3	= 0 Ω Bridge
C 8	= Not present		DA	= 2 x Diode bridge 25 A
C 9	= 4700 μ F	25 V	D 1	= 1N 4004
C 10	= 4700 μ F	25 V	D 2	= 1N 4004
C 11	= Not present		D 3	= 1N 4004
C 12	= 4700 μ F	25 V	D 4	= 1N 4004
C 13	= Not present		D 5	= Not present
C 14	= 4700 μ F	25 V	D 6	= 1N 4148
C 15	= Not present		D 7	= 1N 5353
C 16	= 4700 μ F	25 V	D 8	= 1N 5353
C 17	= 470 pF	50 V	D 9	= 1N 5353
C 18	= 100 nF	50 V	T 1	= TIP 142
C 19	= 470 μ F	25 V	T 2	= TIP 142
C 20	= Not present		T 3	= TIP 142
C 21	= Not present		T 4	= TIP 142
C 22	= Not present		T 5	= TIP 142
C 23	= 2,2 μ F	25 V	T 6	= TIP 142
C 24	= 2,2 μ F	25 V	TR	= Transformer 220 - 18 V 30 A
C 25	= 100 nF	50 V	FUSE	= Fuse 4A
C 26	= 470 pF	50 V	Ic 1	= Not present
C 27	= 150 pF	50 V	Ic 2	= LM 723
C 28	= 100 nF	50 V	L	= not present
C 29	= 22 μ F	25 V	S	= Switch ON OFF
R 1	= 2,2 K Ω	¼ W		
R 2	= 4,7 K Ω	¼ W		
R 3	= 470 Ω	¼ W		
R 4	= 470 Ω	¼ W		
R 5	= 2,2 K Ω	¼ W		
R 6	= Not present			
R 7	= Trimmer 4,7 K Ω			
R 8	= Not present			
R 9	= Not present			
R 10	= 2,2 K Ω	¼ W		
R 11	= Resistive wire ϕ 0,8 mm x 20 mm			
R 12	= Resistive wire ϕ 0,8 mm x 20 mm			
R 13	= Resistive wire ϕ 0,8 mm x 20 mm			
R 14	= Resistive wire ϕ 0,8 mm x 20 mm			
R 15	= Resistive wire ϕ 0,8 mm x 20 mm			
R 16	= Resistive wire ϕ 0,8 mm x 20 mm			
R 17	= Resistive wire coil ϕ 1 mm 4 turn ϕ 6 mm			
R 18	= Resistive wire coil ϕ 1 mm 4 turn ϕ 6 mm			
R 19	= Resistive wire coil ϕ 1 mm 4 turn ϕ 6 mm			