

YANMAR

OPERATION MANUAL

DIESEL GENERATOR

YDG3700W-6EI
YDG5500W-6EI

**California
Proposition 65 Warning**

Diesel engine exhaust and some of its constituents are known to the state of California to cause cancer, birth defects, and other reproductive harm.

**California
Proposition 65 Warning**

Battery posts, terminals, and related accessories contain lead and lead compounds, chemicals known to the state of California to cause cancer and reproductive harm.

Wash hands after handling.

Disclaimers:

All information, illustrations and specifications in this manual are based on the latest information available at the time of publishing. The illustrations used in this manual are intended as representative reference views only. Moreover, because of our continuous product improvement policy, we may modify information, illustrations and/or specifications to explain and/or exemplify a product, service or maintenance improvement. We reserve the right to make any change at any time without notice. YANMAR and **YANMAR** are registered trademarks of YANMAR CO., LTD. in Japan, the United States and/or other countries.

All Rights Reserved:

No part of this publication may be reproduced or used in any form by any means - graphic, electronic, or mechanical, including photocopying, recording, taping, or information storage and retrieval systems - without the written permission of YANMAR CO., LTD.

OPERATION MANUAL	MODEL	YDG3700W-6EI, YDG5500W-6EI
	CODE	0AYDG-EN0092

YANMAR WARRANTIES

YANMAR LIMITED WARRANTY

What is Covered by this Warranty?

YANMAR warrants to the original retail purchaser that a new YANMAR YDG diesel generator will be free from defects in material and/or workmanship for the duration of the warranty period.

This warranty is provided in lieu of all other warranties, express or implied. YANMAR specifically disclaims any implied warranties of merchantability or fitness for a particular purpose, except where such disclaimer is prohibited by law. If such disclaimer is prohibited by law, then implied warranties shall be limited in duration to the life of the express warranty.

How Long is the Warranty Period?

The YANMAR standard limited warranty period begins on the date of the delivery of the new YANMAR YDG diesel generator to the first retail purchaser and extends for a period of **twenty-four (24) months or two-thousand (2000) engine operation hours**, whichever occurs first. The warranty period (by duration or operation hours) begins on the date of delivery to the original retail purchaser and is valid only until the applicable warranted duration has passed or the operation hours are exceeded, whichever comes first.

YANMAR WARRANTIES

YANMAR limited warranty - continued

What the Generator Owner must Do:

If you believe your YANMAR generator has experienced a failure due to a defect in material and/or workmanship, you must contact an authorized YANMAR dealer or distributor within thirty (30) days of discovering the failure. You must provide proof of ownership of the generator, proof of the date of the generator purchase and delivery, and documentation of the generator operation hours. Acceptable forms of proof of delivery date include, but are not limited to: the original warranty registration or sales receipts or other documents maintained in the ordinary course of business by YANMAR dealers and/or distributors, indicating the date of delivery of the YANMAR product to the original retail purchaser. This information is necessary to establish whether the YANMAR product is still within the warranty period. Thus, YANMAR strongly recommends you register your generator as soon as possible after purchase in order to facilitate any future warranty matters.

You are responsible for the transportation of the generator to and from the repair location as designated by YANMAR.

To Locate an Authorized YANMAR Dealer or Distributor:

You can locate your nearest authorized YANMAR dealer or distributor by visiting the YANMAR CO., LTD. website.

What YANMAR will Do:

YANMAR warrants to the original retail purchaser of a new YANMAR generator that YANMAR will make such repairs and/or replacements at YANMAR's option, of any part(s) of the YANMAR product covered by this warranty found to be defective in material and/or workmanship. Such repairs and/or replacements will be made at a location designated by YANMAR at no cost to the purchaser for parts or labor.

YANMAR limited warranty - continued

What is not Covered by this Warranty?

This warranty does not cover parts affected by or damaged by any reason other than defective materials or workmanship including, but not limited to, accident, misuse, abuse, "Acts of God," neglect, improper installation, improper maintenance, improper storage, the use of unsuitable attachments or parts, the use of contaminated fuels, the use of fuels, oils, lubricants, or fluids other than those recommended in your YANMAR Operation Manual, unauthorized alterations or modifications, ordinary wear and tear, and rust or corrosion. This warranty does not cover the cost of parts and/or labor required to perform normal/scheduled maintenance on your YANMAR generator. This warranty does not cover consumable parts such as, but not limited to filters, fuel injector nozzle, lubricants and cleaning fluids. This warranty does not cover the cost of shipping the product to or from the warranty repair facility.

Warranty Limitations:

The foregoing is YANMAR's only obligation to you and your exclusive remedy for breach of warranty. Failure to follow the requirements for submitting a claim under this warranty may result in a waiver of all claims for damages and other relief. **In no event shall YANMAR or any authorized dealer or distributor be liable for incidental, special or consequential damages.** Such consequential damages may include, but not be limited to, loss of revenue, loan payments, cost of rental of substitute equipment, insurance coverage, storage, lodging, transportation, fuel, mileage and telephone costs. The limitations in this warranty apply regardless of whether your claims are based on breach of contract, tort (including negligence and strict liability) or any other theory. Any action arising hereunder must be brought within one (1) year after the cause of action accrues or it shall be barred. Some states and countries do not allow certain limitations on warranties or for breach of warranties. **This warranty gives you specific legal rights, and you may also have other rights which vary from state to state and country to country.** Limitations set forth in this paragraph shall not apply to the extent that they are prohibited by law.

Warranty Modifications:

Except as modified in writing and signed by the parties, this warranty is and shall remain the complete and exclusive agreement between the parties with respect to warranties, superseding all prior agreements, written and oral, and all other communications between the parties relating to warranties. **No person or entity is authorized to give any other warranty or to assume any other obligation on behalf of YANMAR, either orally or in writing.**

Questions:

If you have any questions or concerns regarding this warranty, please call or write to the nearest authorized YANMAR dealer or distributor or other authorized facility.

YANMAR WARRANTIES

YANMAR limited warranty - continued

Retail Purchaser Registration

It is very important for the original retail purchaser to register the YANMAR product. Registration enables YANMAR to provide the best support for your YANMAR YDG diesel generator.

Please contact the nearest authorized YANMAR dealer or distributor.

EMISSION SYSTEM WARRANTY

YANMAR CO., LTD. EMISSION CONTROL SYSTEM WARRANTY - USA ONLY

Your Warranty Rights and Obligations:

The California Air Resources Board (CARB), the United State Environmental Protection Agency (EPA) and YANMAR CO., LTD. hereafter referred to as YANMAR, are pleased to explain the **emission control system warranty** on your 2015, 2016, or 2017 model year industrial compression-ignition engine. California-certified, new off-road compression-ignition engines must be designed, built and equipped to meet the State's stringent anti-smog standards. In the remaining forty nine (49) states, new non-road compression-ignition engines must be designed, built and equipped to meet the United States EPA emissions standards. YANMAR must warrant the emission control system on your engine for the periods of time listed below provided there has been no abuse, neglect or improper maintenance of your engine.

Your emission control system may include parts such as the fuel injection system, the air induction system, the electronic control system, EGR (Exhaust Gas Recirculation) system and the diesel particulate filter system. Also included may be hoses, belts, connectors and other emission-related assemblies.

Where a warrantable condition exists, YANMAR will repair your off-road compression-ignition engine at no charge to you including diagnosis, parts and labor.

Manufacturer's Warranty Period:

2015, 2016, or 2017 model year off-road compression-ignition engines are warranted for the periods listed below. If any emission-related part on your engine is found to be defective during the applicable warranty period, the part will be repaired or replaced by YANMAR.

If your engine is certified as	And its maximum power is	And its rated speed is	Then its warranty period is
Variable speed or constant speed	kW < 19	Any speed	1,500 hours or two (2) years whichever comes first. In the absence of a device to measure the hours of use, the engine has a warranty period of two (2) years.
Constant speed	19 ≤ kW < 37	3,000 rpm or higher	1,500 hours or two (2) years whichever comes first. In the absence of a device to measure the hours of use, the engine has a warranty period of two (2) years.
Constant speed	19 ≤ kW < 37	Less than 3,000 rpm	3,000 hours or five (5) years whichever comes first. In the absence of a device to measure the hours of use, the engine has a warranty period of five (5) years.
Variable speed	19 ≤ kW < 37	Any speed	3,000 hours or five (5) years whichever comes first. In the absence of a device to measure the hours of use, the engine has a warranty period of five (5) years.
Variable speed or constant speed	kW ≥ 37	Any speed	3,000 hours or five (5) years whichever comes first. In the absence of a device to measure the hours of use, the engine has a warranty period of five (5) years.

YANMAR WARRANTIES

Emission control system warranty - USA only - continued

Warranty Coverage:

This warranty is transferable to each subsequent purchaser for the duration of the warranty period. Repair or replacement of any warranted part will be performed at an authorized YANMAR dealer.

Warranted parts not scheduled for replacement as required maintenance in the owner's manual shall be warranted for the warranty period. Warranted parts scheduled for replacement as required maintenance in the owner's manual are warranted for the period of time prior to the first scheduled replacement. Any warranted parts scheduled for replacement as required maintenance that are repaired or replaced under warranty shall be warranted for the remaining period of time prior to the first scheduled replacement. Any part not scheduled for replacement that is repaired or replaced under warranty shall be warranted for the remaining warranty period.

During the warranty period, YANMAR is liable for damages to other engine components caused by the failure of any warranted part during the warranty period.

Any replacement part which is functionally identical to the original equipment part in all respects may be used in the maintenance or repair of your engine, and shall not reduce YANMAR's warranty obligations. Add-on or modified parts that are not exempted may not be used. The use of any non-exempted add-on or modified parts shall be grounds for disallowing a warranty.

Warranted Parts:

This warranty covers engine components that are a part of the emission control system of the engine as delivered by YANMAR to the original retail purchaser. Such components may include the following:

- (A) Fuel injection system (including Altitude compensation system)
- (B) Cold start enrichment system
- (C) Intake manifold and Air intake throttle valve
- (D) Turbocharger systems
- (E) Exhaust manifold
- (F) Positive crankcase ventilation system
- (G) Charge Air Cooling systems
- (H) Exhaust Gas Recirculation (EGR) systems
- (I) Exhaust gas after treatment (diesel particulate filter system)
- (J) Electronic Control units, sensors, solenoids and wiring harnesses used in above systems
- (K) Hoses, belts, connectors and assemblies used in above systems
- (L) Emission Control Information Labels

Since emissions related parts may vary slightly between models, certain models may not contain all of these parts and other models may contain the functional equivalents.

Emission control system warranty - USA only - continued

Exclusions:

Failures other than those arising from defects in material or workmanship are not covered by this warranty. The warranty does not extend to the following: malfunctions caused by abuse, misuse, improper adjustment, modification, alteration, tampering, disconnection, improper or inadequate maintenance, or use of non-recommended fuels and lubricating oils; accident-caused damage and replacement of expendable items made in connection with scheduled maintenance. YANMAR disclaims any responsibility for incidental or consequential such as loss of time, inconvenience, loss of use of equipment/engine or commercial loss.

Owner's Warranty Responsibilities:

As the off-road compression-ignition engine owner, you are responsible for the performance of the required maintenance listed in your owner's manual. YANMAR recommends that you retain all documentation, including receipts, covering maintenance on your off-road compression-ignition engine, but YANMAR cannot deny warranty solely for the lack of receipts, or for your failure to ensure the performance of all scheduled maintenance.

YANMAR may deny your warranty coverage if your off-road compression-ignition engine or a part has failed due to abuse, neglect, improper maintenance or unapproved modifications.

Your engine is designed to operate on diesel fuel only. Use of any other fuel may result in your engine no longer operating in compliance with CARB and EPA emissions requirements.

You are responsible for initiating the warranty process. You must present your engine to a YANMAR dealer as soon as a problem exists. The warranty repairs should be completed by the dealer as expeditiously as possible. If you have any questions regarding your warranty rights and responsibilities, or would like information on the nearest YANMAR dealer or authorized service center, you should contact YANMAR America Corporation.

Website: <https://www.yanmar.com>

E-mail: CS_support@yanmar.com

Toll free telephone number: 1-800-872-2867, 1-855-416-7091

This Page Intentionally Left Blank

INTRODUCTION

Welcome to the world of YANMAR! YANMAR has been the leader in industrial diesel engines for over 90 years. We developed the world's first practical small-sized diesel engine in 1933. Our engineers are continuously developing new technology to keep YANMAR on the leading-edge of the industry. The diesel-powered generator is only one example of the new technology we have developed. We are committed to maintaining our environment, and are proud of our history of innovation, quality and respect for operator safety.

To help you enjoy your YANMAR diesel generator (YDG) for many years to come, please follow these recommendations:

- Read and understand this Operation Manual before you operate the machine to ensure that you follow safe operating practices and maintenance procedures.
 - Keep this Operation Manual in a convenient place for easy access.
 - If this Operation Manual is lost or damaged, order a new one from your authorized YANMAR dealer or distributor.
 - Make sure this manual is transferred to subsequent owners. This manual should be considered a permanent part of the generator and remain with it.
- Constant efforts are made to improve the quality and performance of YANMAR products, so some details included in this Operation Manual may differ slightly from your generator. If you have any questions about these differences, please contact your authorized YANMAR dealer or distributor.
 - When exporting or providing this product and manual to non-residents, please comply with the security trade control laws and regulations of Japan and other relevant countries.

INTRODUCTION

RECORD OF OWNERSHIP

Take a few moments to record the information you need when you contact YANMAR for service, parts or literature.

YDG model: _____

YDG serial No.: _____

Date purchased: _____

Dealer: _____

Dealer phone: _____

TABLE OF CONTENTS

	Page
YANMAR WARRANTIES	i
YANMAR LIMITED WARRANTY	i
What is Covered by this Warranty?	i
How Long is the Warranty Period?	i
What the Generator Owner must Do:	ii
To Locate an Authorized YANMAR Dealer or Distributor:.....	ii
What YANMAR will Do:	ii
What is not Covered by this Warranty?	iii
Warranty Limitations:	iii
Warranty Modifications:	iii
Questions:	iii
Retail Purchaser Registration.....	iv
EMISSION SYSTEM WARRANTY	v
YANMAR CO., LTD. EMISSION CONTROL SYSTEM	
WARRANTY - USA ONLY	v
Your Warranty Rights and Obligations:	v
Manufacturer's Warranty Period:.....	v
Warranty Coverage:	vi
Warranted Parts:	vi
Exclusions:	vii
Owner's Warranty Responsibilities:.....	vii
INTRODUCTION	ix
RECORD OF OWNERSHIP	x

TABLE OF CONTENTS

SAFETY	1
SAFETY PRECAUTIONS	2
PRODUCT OVERVIEW	9
YANMAR YDG DIESEL GENERATOR FEATURES AND APPLICATIONS	9
COMPONENT IDENTIFICATION	10
YDG3700W-6EI.....	10
YDG5500W-6EI.....	11
LOCATION OF LABELS	12
Safety Labels YDG3700W-6EI, YDG5500W-6EI	12
Generator Set Label	13
Description of Generator Set Model Number	13
Engine Nameplate.....	14
Description of Engine Model Number.....	14
EPA/ARB EMISSION CONTROL REGULATIONS - USA ONLY	15
EMISSION CONTROL LABELS - USA ONLY	15
EPA/ARB Labels (Typical)	15
Fuel Label.....	15
ENGINE FAMILY.....	15
FUNCTION OF MAJOR COMPONENTS	16
GENERATOR CONTROL PANEL	17
YDG3700W-6EI, YDG5500W-6EI.....	17
AIR COOLED ENGINE	18
ENGINE CONTROLS – RECOIL STARTER	18
Recoil Starter.....	18
Decompression Lever	18
ENGINE CONTROLS – ELECTRIC STARTER.....	19
Key Switch.....	19
Engine Speed Control Lever	19
SPARK ARRESTER.....	20
BEFORE YOU OPERATE	21
INTRODUCTION.....	21
BATTERY.....	22
Activating the Battery	22
Checking Battery Electrolyte Level.....	23
Charging the Battery	24
Disconnecting and Connecting Battery Cables	25
DIESEL FUEL	26
Diesel Fuel Specifications	26
Filling the Fuel Tank.....	27

ENGINE OIL.....	28
Engine Oil Specifications.....	28
Engine Oil Viscosity.....	28
Checking Engine Oil.....	29
Adding Engine Oil.....	29
Engine Oil Capacity (Typical).....	29
GENERATOR CHECK.....	30
Selecting the Proper Load.....	32
INITIAL ENGINE START UP.....	34
DAILY CHECKS.....	34
Visual Checks.....	34
Check Battery Electrolyte Level.....	34
Check Diesel Fuel and Engine Oil Levels.....	34
Check Spark Arrester.....	34
GENERATOR OPERATION.....	35
INTRODUCTION.....	35
STARTING THE GENERATOR.....	36
Recoil Start.....	36
Electric Start.....	37
CHECKING THE GENERATOR SET DURING OPERATION.....	38
Low Load Operation.....	39
SHUTTING DOWN THE GENERATOR.....	39
AC APPLICATION.....	40
GFCI (Ground Fault Circuit Interrupter).....	41
DC APPLICATION.....	42
PERIODIC MAINTENANCE.....	43
INTRODUCTION.....	43
PRECAUTIONS.....	44
The Importance of Periodic Maintenance.....	44
Performing Periodic Maintenance.....	44
The Importance of Daily Checks.....	44
Keep a Log of Generator Hours and Daily Checks.....	44
YANMAR Replacement Parts.....	44
Tools Required.....	44
Ask Your Authorized YANMAR Dealer or Distributor for Help.....	45
Required EPA/ARB Maintenance - USA Only.....	45
EPA/ARB Installation Requirements - USA Only.....	45
Tightening Fasteners.....	45
TIGHTENING TORQUES FOR STANDARD BOLTS AND NUTS....	46
PERIODIC MAINTENANCE SCHEDULE.....	47
Periodic Maintenance Chart.....	47

TABLE OF CONTENTS

PERIODIC MAINTENANCE PROCEDURES	49
Daily, before Operation	49
Daily, after Operation	50
After Initial 50 Hours of Operation	51
Every 50 Hours of Operation	53
Every 200 Hours of Operation	54
Every 400 Hours of Operation	57
Every 1000 Hours of Operation	58
Every 1500 Hours of Operation	59
Every 2000 Hours of Operation	59
TROUBLESHOOTING	61
TROUBLESHOOTING INFORMATION	61
TROUBLESHOOTING CHART	62
ELECTRICAL WIRING DIAGRAM	64
YDG3700W-6EI, YDG5500W-6EI	64
LONG-TERM STORAGE	65
INTRODUCTION.....	65
BEFORE YOU PLACE THE GENERATOR IN LONG-TERM STORAGE.....	66
RETURNING THE ENGINE TO SERVICE	66
SPECIFICATIONS	67
PRINCIPAL SPECIFICATIONS	67
Generator	67
Engine	68

SAFETY

YANMAR considers safety of great importance and recommends that anyone that comes into close contact with its products, such as those that install, operate, maintain or service YANMAR products, exercise care, common sense and comply with the safety information in this manual and on the machine's safety labels. Keep the labels from becoming dirty or torn and replace them if they are lost or damaged. Also, if you need to replace a part that has a label attached to it, make sure you order the new part and labels at the same time.



This safety alert symbol appears with most safety statements. It means attention, become alert, your safety is involved! Please read and abide by the message that follows the safety alert symbol.

DANGER

Indicates a hazardous situation which, if not avoided, *will* result in death or serious injury.

WARNING

Indicates a hazardous situation which, if not avoided, *could* result in death or serious injury.

CAUTION

Indicates a hazardous situation which, if not avoided, *could* result in minor or moderate injury.

NOTICE

Indicates a situation which can cause damage to the machine, personal property and/or the environment or cause the equipment to operate improperly.

SAFETY PRECAUTIONS

DANGER

There is no substitute for common sense and careful practices. Improper practices or carelessness can cause burns, cuts, mutilation, asphyxiation, other bodily injury or death. This information contains general safety precautions and guidelines that must be followed to reduce risk to personal safety. Special safety precautions are listed in specific procedures. Read and understand all of the safety precautions before operation or performing repairs or maintenance.



- Never permit anyone to install or operate the generator set without proper training.

- Read and understand this Operation Manual before you operate or service the generator set to ensure that you follow safe operating practices and maintenance procedures.
- Safety signs and labels are additional reminders for safe operating and maintenance techniques.
- See your authorized YANMAR dealer or distributor for additional training.

Exhaust Hazard!



Never operate the generator in an enclosed area. Operating a generator indoors can kill you in minutes. Generator exhaust contains carbon monoxide. This is a poison you cannot see or smell. Only operate the generator outside and far away from windows, doors and vents.

DANGER

Explosion Hazard!



- Always place the diesel fuel container on the ground when transferring the diesel fuel from the pump to the container. Hold the hose nozzle firmly against the side of the container while filling it. This prevents static electricity buildup which could cause sparks and ignite fuel vapors.
- Diesel fuel is flammable and explosive under certain conditions. Always store any containers containing fuel in a well-ventilated area, away from any combustibles or sources of ignition. Wipe up all spills immediately and never use a shop rag to catch spilled fuel.
- Before you operate the engine, check for fuel leaks.
- Avoid serious personal injury. Never jump-start the engine. Sparks caused by shorting the battery to the starter terminals may cause a fire or explosion. Only use the key switch or manual starter (if equipped) to start the engine.
- Avoid serious personal injury or equipment damage. While the engine is running or the battery is charging, hydrogen gas is being produced and can be easily ignited. Always keep the area around the battery well-ventilated and keep sparks, open flames and any other form of ignition out of the area.
- Never place diesel fuel, flammable material such as oil, hay or dried grass or chemical gases or fumes close to the engine during engine operation or shortly after shut down.
- Never use metal pipe that carries combustible materials or gases to ground the generator.

⚠ DANGER**Electric Shock Hazard!**

- Always have a licensed electrician connect the generator to the utility circuit. Improper installation can cause the generator to back-feed into the utility power line. This may electrocute a power company line repair person. Also, if the generator is powering electrical circuits, the chance of an electrical fire exists.
- Never use if the generator is wet or damp. Never use the generator in a location exposed to rain, snow, water spray or standing water. If the generator must be used outside, protect it from the weather. Moisture or ice can cause a malfunction or short circuit in the electrical components which could result in electrocution.
- Never operate the generator in rain or a floodplain unless proper precautions are taken to avoid being subject to rain or a flood.
- Never use any worn or damaged electrical cords. Electric shock or damage to the generator may result.
- Always have a licensed electrician connect the generator to the utility circuit.
- Never touch the generator with wet hands or when the generator is wet.
- Never use the generator in highly conductive areas. These areas include metal decking and steelwork.
- Always use grounded extension cords. Always use three-wire or double-insulated power tools.
- Never handle live terminals or bare wires.
- Always ground the generator. Connect a length of heavy wire between the generator ground terminal and an external ground.

⚠ DANGER**Fire Hazard!**

- Never use metal pipe that carries combustible materials or gases to ground the generator.
- Do not put the generator indoors while the engine is still hot.
- Never jump-start the engine. Sparks caused by shorting the battery to the starter terminals may cause a fire or explosion.
- Never operate the generator if powered items overheat, electrical output drops, there is sparking, flames or smoke coming from the generator or if the receptacles are damaged.
- Never operate the generator closer than 3.3 ft (1 m) away from buildings and other equipment or sources of combustion during operation.

Falling Hazard!

Avoid injury or equipment damage due to the generator set falling. Always secure the generator set to prevent the generator set from falling during maintenance.

WARNING

Explosion Hazard!



- Avoid serious personal injury or equipment damage. While the engine is running or the battery is charging, hydrogen gas is being produced and can be easily ignited. Keep the area around the battery well-ventilated and keep sparks, open flame and any other form of ignition out of the area.
- Avoid serious personal injury or equipment damage. Always turn off the battery switch (if equipped) or disconnect the negative battery cable before servicing the equipment.

Fire Hazard!



- Avoid personal injury or equipment damage. Have appropriate safety equipment available.
- Keep fire extinguishers handy in case of fire. Clearly indicate the location of the fire extinguishers with a safety sign.
- Ensure that the type of fire extinguishers are appropriate for material that might catch fire. Check with local authorities.
- Have all fire extinguishers checked periodically for proper operation and/or readiness.
- Post evacuation routes prominently. Periodically conduct fire drills.

Avoid personal injury. Always read and follow safety-related precautions found on containers of hazardous substances like parts cleaners, primers, sealants and sealant removers.

Always wipe up all spills immediately.

WARNING

Entanglement Hazard!



- Rotating parts can cause severe injury or death. Never wear jewelry, unbuttoned cuffs, ties or loose fitting clothing and always tie long hair back when working near moving/rotating parts such as the flywheel or PTO shaft. Keep hands, feet and tools away from all moving parts.
- Avoid personal injury. Never leave the key in the key switch when servicing the generator set. Someone may accidentally start the engine and not realize you are servicing it. Attach a "Do Not Operate" tag near the key switch while performing maintenance on the equipment.

Sever Hazard!



- Avoid personal injury. Rotating parts can cause severe injury or death. Never operate the generator set without the guards in place.
- Never operate the generator without the guards in place.

⚠ WARNING**Electrical Hazard!**

- Make welding repairs safely.

- Always turn off the battery switch (if equipped) or disconnect the negative battery cable and the leads to the alternator when welding on the equipment.
- Connect the weld clamp to the component to be welded and as close as possible to the welding point.
- Never connect the weld clamp to the generator set or in a manner which would allow current to pass through a mounting bracket.
- When welding is completed, reconnect the leads to the engine charging system prior to reconnecting the battery.

Shock Hazard!

- Check the electrical harnesses for cracks, abrasions and damaged or corroded connectors. Always keep the connectors and terminals clean.
- Avoid serious personal injury or equipment damage. Always turn off the battery switch (if equipped) or disconnect the negative battery cable before servicing the equipment.
- Avoid personal injury or equipment damage. Always keep the electrical connectors and terminals clean. Check the electrical harnesses for cracks, abrasions, and damaged or corroded connectors.

⚠ WARNING**Lifting Hazard!**

- Avoid serious personal injury. Additional equipment is necessary to lift the generator set. Always use lifting equipment with sufficient capacity to lift the generator.
- When you need to transport a generator set for repair, have a helper assist you when attaching it to a hoist and loading it on a truck.

Alcohol and Drug Hazard!

Never operate the generator set while you are under the influence of alcohol or drugs or are feeling ill.

Exposure Hazard!

To avoid injury, always wear personal protective equipment including appropriate clothing, gloves, work shoes, eye and hearing protection as required by the task at hand.

Slip and Trip Hazard!

Keep the generator free of oil, mud and other foreign matter.

Remove anything that creates slippery areas around the generator.

WARNING

Sudden Movement Hazard!

- Never attach tools or appliances to the generator before it is started. Starting the generator may cause sudden movement of the equipment. Disconnect any tools and appliances from the generator before starting.
- Before you start the engine make sure that all bystanders are clear of the area.
- Check before starting the engine that any tools or shop rags used during maintenance have been removed from the area.
- Always remove anything that creates slippery areas around the generator.
- Avoid personal injury. Always stop the engine before beginning service.

Burn Hazard!



- Avoid serious injury. Some of the generator set surfaces become very hot during operation and shortly after shut down. Always keep hands and other body parts away from hot generator set surfaces.
- Always handle hot components with heat-resistant gloves.

Tool Hazard!

Avoid personal injury or equipment damage. Always remove any tools or shop rags used during maintenance from the area before operation.

Exhaust Hazard!



Avoid serious injury or death. Always ensure that all connections are tightened to specifications after repair is made to the exhaust system. All internal combustion engines create carbon monoxide gas during operation and special precautions are required to avoid carbon monoxide poisoning.

CAUTION

Flying Object Hazard!



- Avoid personal injury. Always wear eye protection when servicing the generator set or when using compressed air or high-pressure water.
- Dust, flying debris, compressed air, pressurized water or steam may injure your eyes.

Poor Lighting Hazard!

Avoid personal injury or equipment damage. Ensure that the work area is adequately illuminated. Always install wire cages on portable safety lamps.

Tool Hazard!

Avoid personal injury or equipment damage. Always use tools appropriate for the task at hand and use the correct size tool for loosening or tightening machine parts.

Before starting the engine, always turn the switches on the working appliances (lighting apparatus, motor, etc.) to their OFF position. If the switches are not OFF, the sudden application of load when the engine is started could be very dangerous.

NOTICE

Never attempt to modify the generator set design or safety features such as defeating the engine speed limit control or the diesel fuel injection quantity control.

Modifications may impair the generator set's safety and performance characteristics and shorten the generator set's life. Any alterations to this generator set may void its warranty. Always use YANMAR genuine replacement parts.



- Always be environmentally responsible.

- Follow the guidelines of the EPA or other governmental agencies for the proper disposal of hazardous materials such as engine oil, and diesel fuel. Consult the local authorities or reclamation facility.

Contact your authorized YANMAR dealer or distributor if you need to operate the engine at high altitudes. At high altitudes the engine will lose power, run rough, and produce exhaust gases that exceed the design specifications.

When you install a battery:

- Always use correct polarity when you connect battery cables to the battery. This generator uses a negative ground, 12 VDC starting system.
- Make sure battery terminals are clean.
- Make sure cable connections are tight.
- Always shut down engine before removing or attaching battery cables.

NOTICE

If you remove battery from generator, insulate the terminal on the end of the red, positive (+) battery cable. If the terminal is not insulated, it may spark when generator runs. Sparks may cause damage to the generator's electronic circuits.

Never operate the generator if it vibrates at high levels, if engine speed changes greatly or if the engine misfires often.

Never use an engine starting aid such as ether. Engine damage will result.

Always make sure the generator is operated on a level surface. If operated at an angle greater than 20° (in any direction) the battery could leak fluid. The generator must be on a flat level surface when checking the battery fluid level. If an engine runs for short periods of time (less than three minutes) at an angle greater than 25° in any direction, engine oil may enter the combustion chamber causing excessive engine speed and generate white smoke. This may cause serious engine damage.

Always run the engine at full speed. Never run engine at lower speeds. At full speed, the engine runs at 3600 min⁻¹ (rpm) under load. The engine must maintain 3600 min⁻¹ (rpm) for generator to create correct voltage. Running engine at lower speeds will damage generator and powered items.

Never attach tools or appliances to the generator before it is started. Always disconnect tools and appliances from the generator before starting.

SAFETY

NOTICE

Observe the following environmental operating conditions to maintain engine performance and avoid premature engine wear:

- The standard range of ambient temperatures for the normal operation of YANMAR engines is from +14 °F (-10 °C) to +104 °F (+40 °C).
- If the ambient temperature exceeds +104 °F (+40 °C) the engine may overheat and cause the engine oil to break down.
- If the ambient temperature is below +14 °F (-10 °C) the engine will be hard to start and the engine oil may not flow easily.

Contact your authorized YANMAR dealer or distributor if the engine will be operated in either temperature extreme.

- In high altitude, generator output shall be kept as below table. Never exceed the continuous rated output of the generator.

Evaluation	0 ft (0 m)	3300 ft (1000 m)	5500 ft (1675 m)
YDG3700W	3.5 kVA	3.1 kVA	2.8 kVA
YDG5500W	5.0 kVA	4.5 kVA	4.1 kVA

Observe the following environmental operating conditions to maintain generator set performance and avoid premature engine wear:

- Avoid operating in extremely dusty conditions.
- Avoid operating in the presence of chemical gases or fumes.
- Avoid operating in a corrosive atmosphere such as salt water spray.

If any indicator illuminates during engine operation (if equipped), stop the engine immediately. Determine the cause and repair the problem before you continue to operate the engine.

NOTICE

Never operate the generator if:

- engine speed changes greatly
- engine misfires often
- powered items overheat
- electrical output drops
- it is sparking
- it produces smoke or flames
- it vibrates at high levels
- it has a damaged receptacle

Any part which is found defective as a result of inspection or any part whose measured value does not satisfy the standard or limit must be replaced.

Always tighten components to the specified torque. Loose parts can cause equipment damage or cause it to operate improperly.

Only use replacement parts specified. Other replacement parts may affect warranty coverage.

Always protect the air cleaner and electric components from damage when you use steam or high pressure water to clean the generator.

Always turn battery switch OFF (if equipped) or disconnect the negative battery cable before servicing the electrical system.

Never operate the generator set while wearing a headset to listen to music or radio because it will be difficult to hear warning signals.

When the engine is operated in dusty conditions, clean the air cleaner element more frequently. Never operate the engine with the air cleaner element(s) removed. This may cause foreign material to enter the engine and damage it.

PRODUCT OVERVIEW

YANMAR YDG DIESEL GENERATOR FEATURES AND APPLICATIONS

To achieve the highest performing miniaturized and light-weight diesel engines, YANMAR CO., LTD. developed the L-W series single cylinder, air-cooled, diesel engine for applications such as YANMAR YDG generators.

YANMAR's series of L-W engines use one of the most advanced single cylinder technologies available.

The pump/line/nozzle direct-injection system has been optimized to reduce emissions.

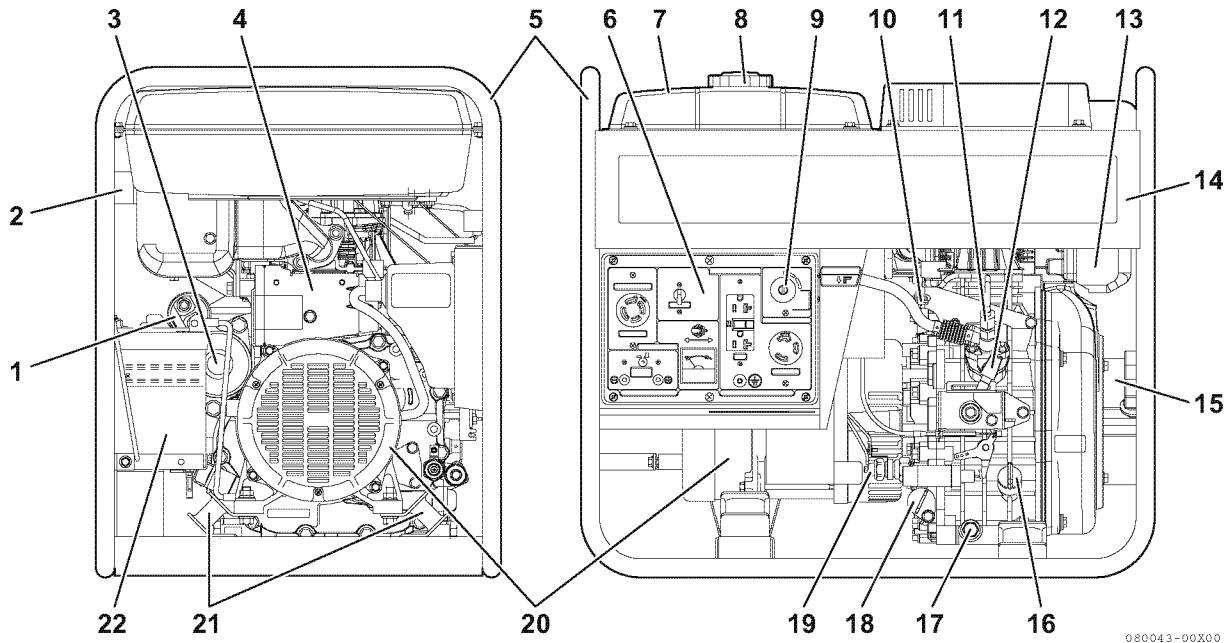
YANMAR YDG generators are designed to supply power to a wide variety of applications including:

- Construction
- Agriculture
- Household

We are sure that you will agree these features provide excellent value in an industrial diesel generator.

COMPONENT IDENTIFICATION

YDG3700W-6EI

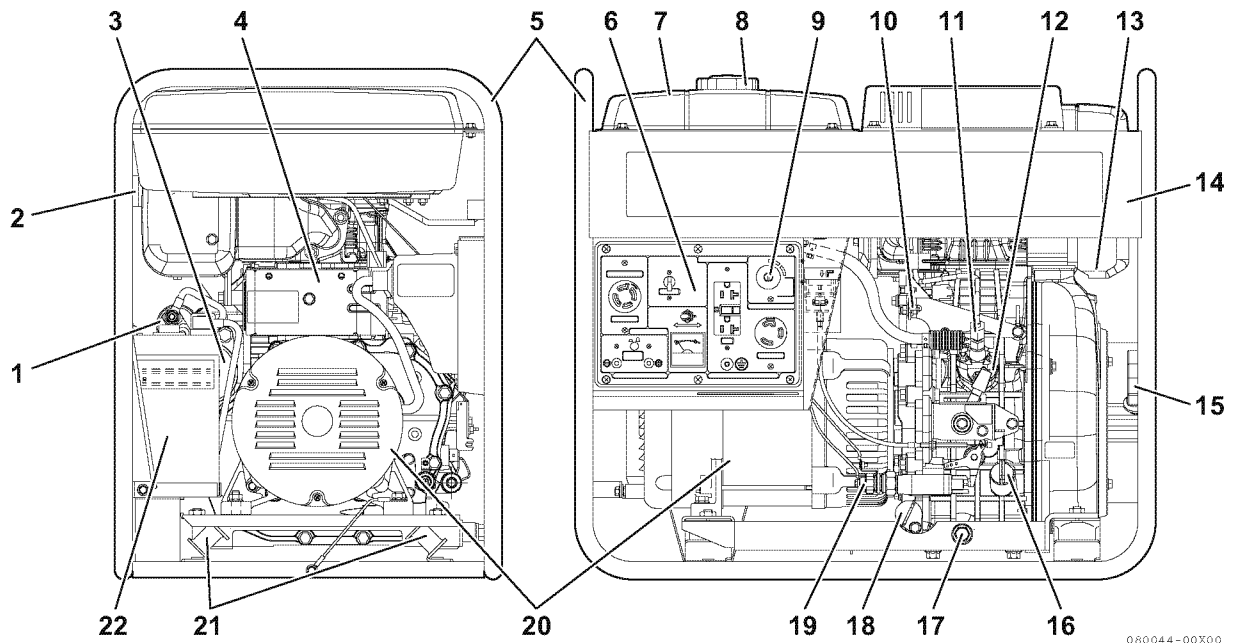


- 1 – Starter solenoid
- 2 – Muffler
- 3 – Starter motor
- 4 – Engine nameplate label
- 5 – Frame
- 6 – Control panel
- 7 – Fuel tank
- 8 – Fuel filler cap
- 9 – Starter switch
- 10 – Compression release lever
- 11 – Fuel injection pump
- 12 – Engine control lever

- 13 – Air cleaner
- 14 – Generator set model and serial number label
(behind upper frame rail)
- 15 – Recoil starter
- 16 – Oil filler cap/dipstick
- 17 – Oil drain plug
(one located on each side of engine)
- 18 – Oil filter
- 19 – Oil pressure switch
- 20 – Generator unit
- 21 – Generator/engine damper mounts
- 22 – Battery

Figure 1

YDG5500W-6EI



080044-00X00

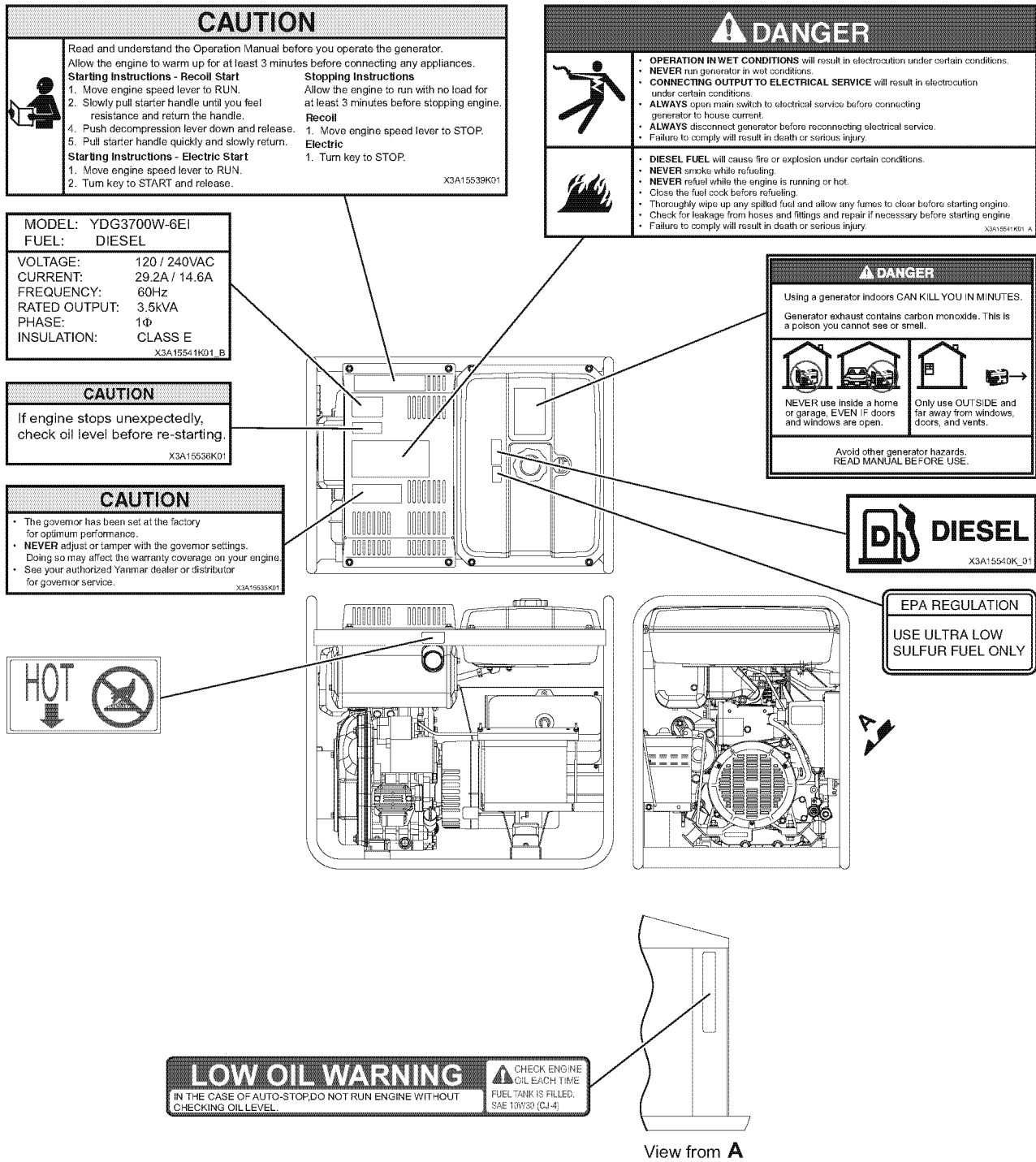
- | | |
|---|--|
| <ul style="list-style-type: none"> 1 – Starter solenoid 2 – Muffler 3 – Starter motor 4 – Engine nameplate label 5 – Frame 6 – Control panel 7 – Fuel tank 8 – Fuel filler cap 9 – Starter switch 10 – Compression release lever 11 – Fuel injection pump 12 – Engine control lever | <ul style="list-style-type: none"> 13 – Air cleaner 14 – Generator set model and serial number label
(behind upper frame rail) 15 – Recoil starter 16 – Oil filler cap/dipstick 17 – Oil drain plug
(one located on each side of engine) 18 – Oil filter 19 – Oil pressure switch 20 – Generator unit 21 – Generator/engine damper mounts 22 – Battery |
|---|--|

Figure 2

PRODUCT OVERVIEW

LOCATION OF LABELS

Safety Labels YDG3700W-6EI, YDG5500W-6EI



080045-01EN00

Figure 3

Generator Set Label

The YDG generator set model and serial number information label is located inside the top front frame rail.

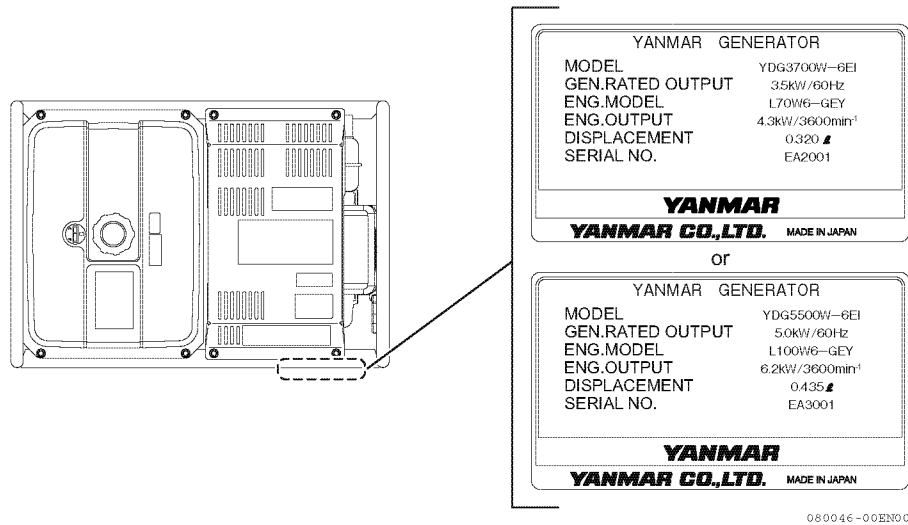
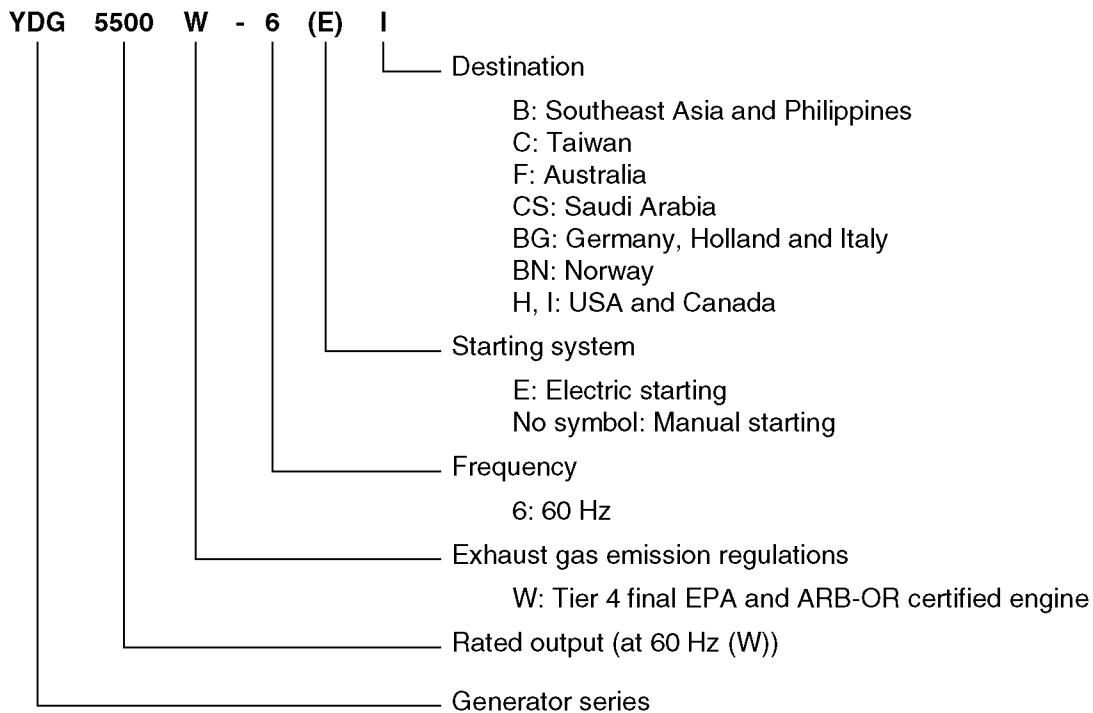


Figure 4

Description of Generator Set Model Number



PRODUCT OVERVIEW

Engine Nameplate

The engine nameplate (**Figure 6**) is located on the cooling shroud on the PTO side of engine above the starter (1, **Figure 5**).

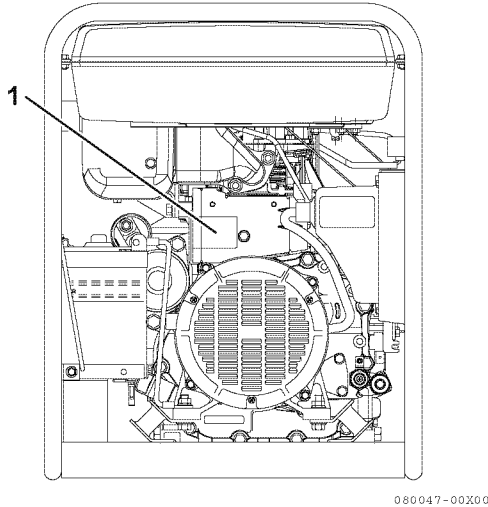


Figure 5

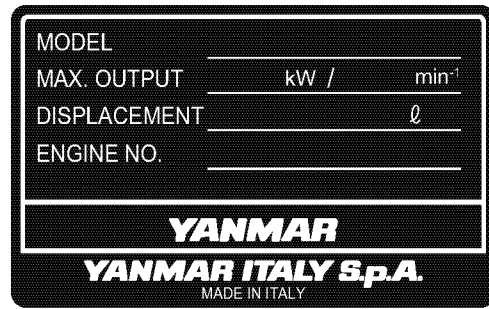
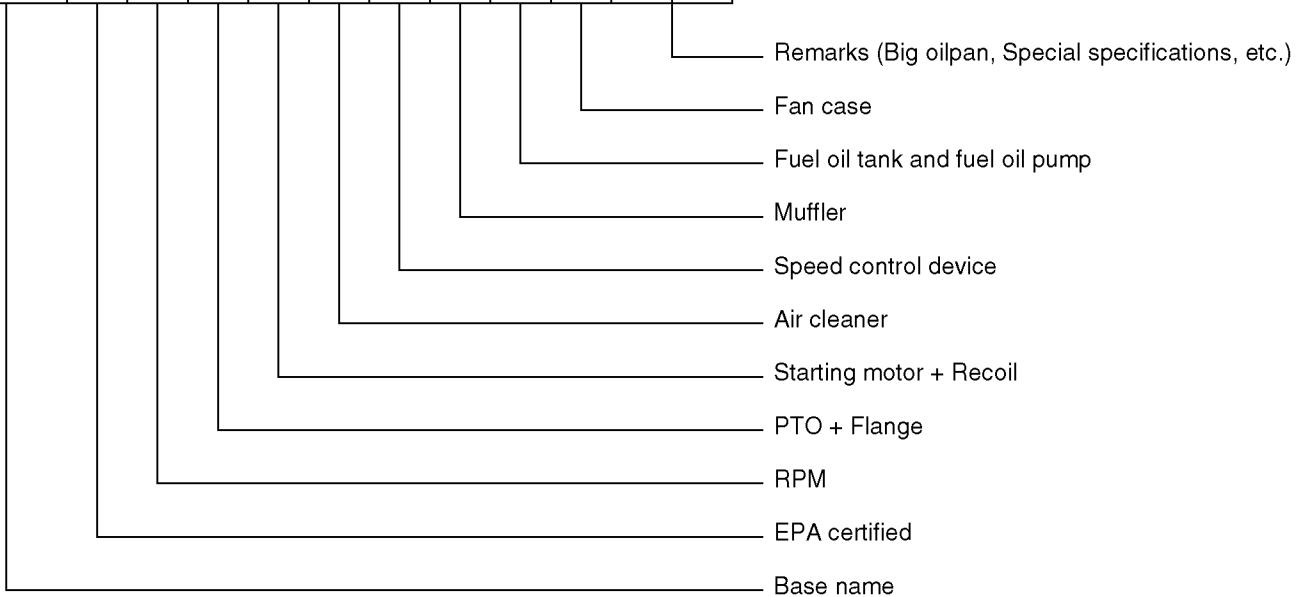


Figure 6

Description of Engine Model Number

L 70 L100	1	2	3	4	5	6	7	8	9	10	11
	W	6	A	F	1	T	8	A	A	S	1



EPA/ARB EMISSION CONTROL REGULATIONS - USA ONLY

YANMAR YDG generators meet Environmental Protection Agency (EPA) (US Federal) emission control standards as well as the California Air Resources Board (ARB, California) regulations. Only generators that conform to ARB regulations can be sold in the State of California.

Refer to the specific *Required EPA/ARB Maintenance - USA Only* on page 45 in the *PERIODIC MAINTENANCE* section of this manual. Also refer to the *YANMAR CO., LTD. EMISSION CONTROL SYSTEM WARRANTY - USA ONLY* on page v.

EMISSION CONTROL LABELS - USA ONLY

Since emission control regulations are being issued on a global basis, it is necessary to identify which regulations a particular engine complies with. We have listed several different types of labels you might find on your generator.

EPA/ARB Labels (Typical)

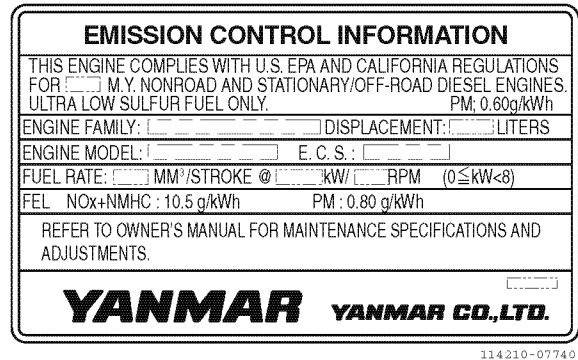


Figure 7

Fuel Label

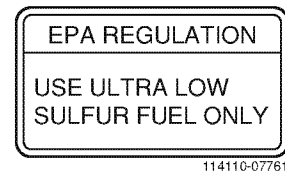
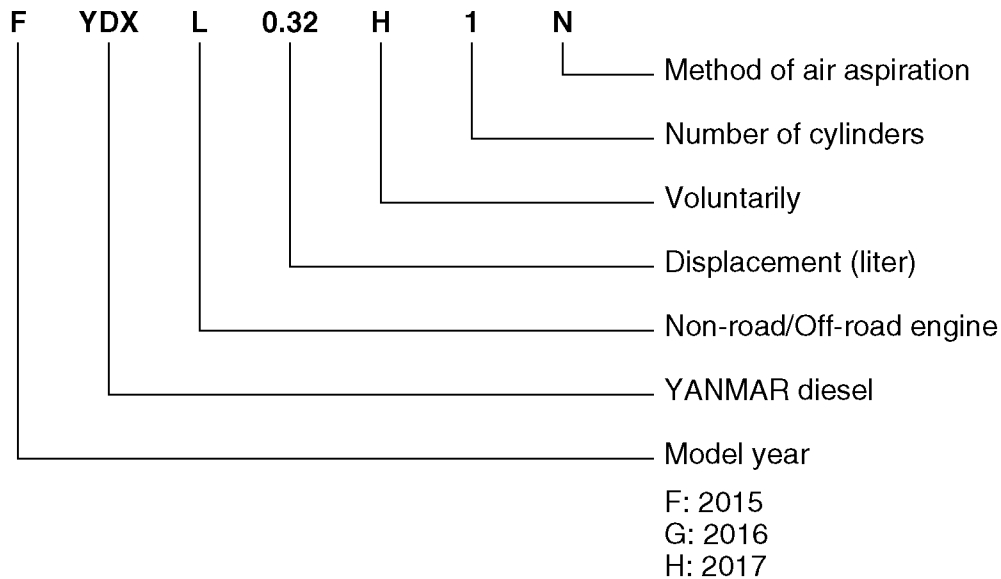


Figure 8

ENGINE FAMILY

The EPA/ARB labels and the 97/68/EC label all have an *Engine Family* field. The following is an explanation of the *Engine Family* designation:



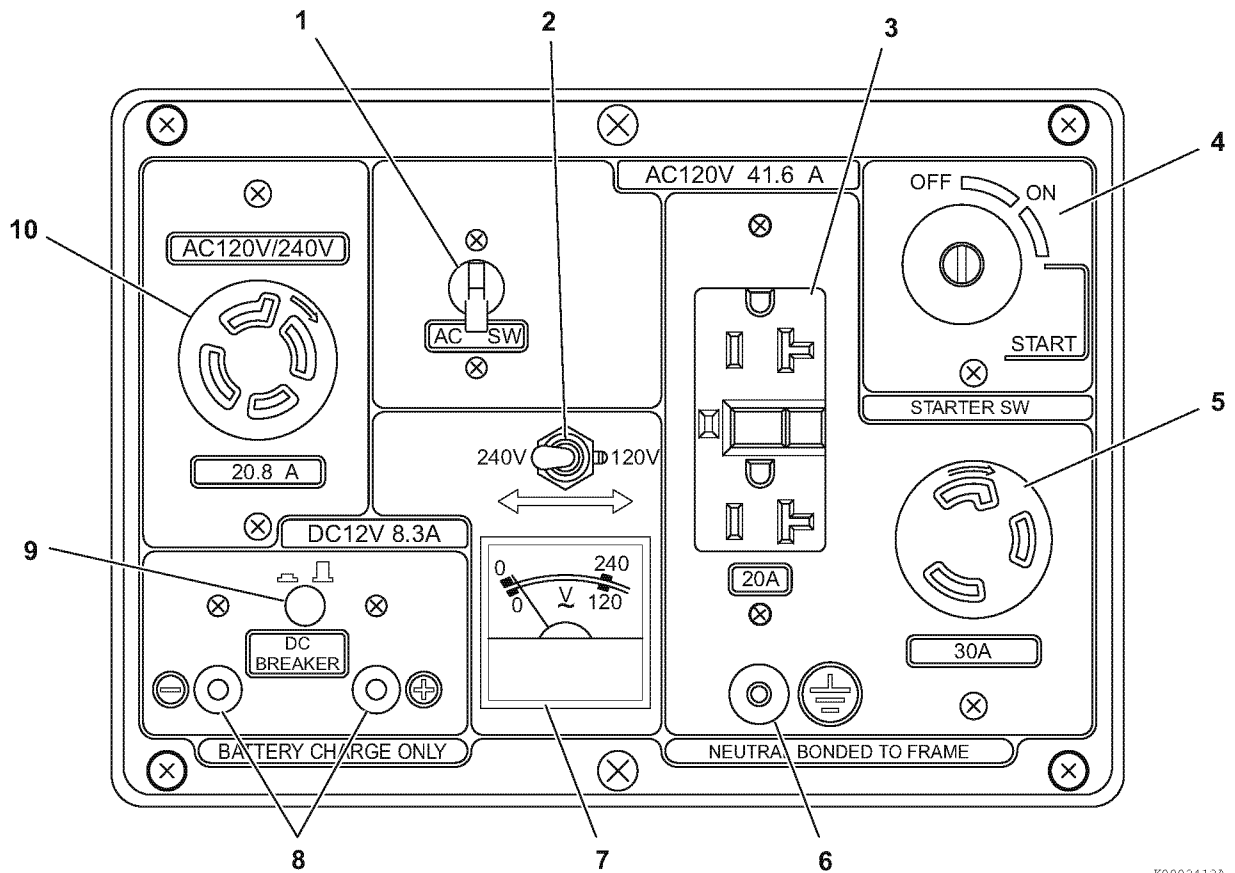
PRODUCT OVERVIEW

FUNCTION OF MAJOR COMPONENTS

Components	Functions
Air cleaner	The air cleaner prevents airborne contaminants from entering the engine. Periodic replacement of the air cleaner filter element is necessary. See <i>PERIODIC MAINTENANCE SCHEDULE</i> on page 47 for the replacement frequency.
Dynamo	If the engine is equipped with electric start, a charging dynamo is located under the engine flywheel. The dynamo supplies regulated electricity to the engine systems and charges the battery while the engine is running.
Low engine oil shutdown	The generator is equipped with a low oil shutdown feature. If the engine is run when it is low on oil, the oil pressure will drop. The oil pressure switch will sense the drop in pressure and activate the stop solenoid, which will shut the engine down. Once the oil level is corrected, and pressure is normal, the engine can be run again.
Engine oil filter	The engine oil filter removes contaminants and sediment from the engine oil. Periodic cleaning of the oil filter is necessary. See <i>PERIODIC MAINTENANCE SCHEDULE</i> on page 47 for the frequency of cleaning.
Side filler ports (Engine oil)	You can fill the crankcase with engine oil from either side of the engine depending upon which filler port is most convenient.
Fuel filters	Inlet and outlet fuel filters are provided to remove contaminants and sediment from the diesel fuel. Periodic cleaning/replacement is required. See <i>PERIODIC MAINTENANCE SCHEDULE</i> on page 47.
Fuel tank	The fuel tank is a reservoir that holds diesel fuel. Fuel is gravity-fed to the fuel injection pump. Since fuel is used to keep fuel system components cool and lubricated, more fuel than is necessary for combustion enters the fuel system. Any fuel that is not used for combustion is returned to the fuel tank.
Oil cap/dipstick (Engine oil)	The engine oil cap/dipstick combines the oil cap and dipstick in one assembly. The dipstick part of the assembly is used to determine the amount of engine oil in the crankcase.
Starter motor	The starter motor is powered by the battery. When you turn the key switch to the START position, the starter motor engages with the ring gear installed on the flywheel and starts the flywheel in motion.
DOC (Diesel Oxidation Catalyst)	L-W series diesel engines include DOC, an exhaust gas cleaning device, to the exhaust muffler. This is an exhaust gas after treatment device for reducing SOF (Soluble Organic Fraction) included in PM (Particulate Matter, such as soot). Though this does not require special maintenance, do not disassemble or change anything of the device. Purification function may degrade.
Control panel	The control panel houses all the controls, switches, terminals, outlets and meters for the generator. All electrical power created by the generator is directed to the control panel and output is sent through various outlets and terminals located on the control panel.
Generator	The generator is coupled to the engine to produce electrical power to operate various loads and or machines. The generator is constructed as a self-exciting single phase A/C, and is comprised of a stator, rotor, automatic voltage regulator, rectifier and housing components.

GENERATOR CONTROL PANEL

YDG3700W-6EI, YDG5500W-6EI



K0002412A

- | | |
|--|---|
| <ul style="list-style-type: none"> 1 – AC circuit breaker
(Generator main switch-circuit breaker) 2 – Voltage selector switch (120/240 VAC) 3 – 120 VAC receptacle with GFCI
(Ground Fault Circuit Interrupter) 4 – Engine start key switch 5 – 120 VAC twist lock receptacle | <ul style="list-style-type: none"> 6 – Grounding terminal 7 – Voltage meter 8 – 12 VDC receptacle
(For 12 VDC battery charging only) 9 – DC circuit breaker (12 VDC output) 10 – 120/240 VAC twist lock receptacle |
|--|---|

Figure 9

PRODUCT OVERVIEW

AIR COOLED ENGINE

The engine is air-cooled by a cooling fan. The cooling system consists of a fan attached to the flywheel. The fan blows air past the cooling fins on the cylinder head and cylinder, which are enclosed by shrouds that direct the air flow.

ENGINE CONTROLS – RECOIL STARTER

The engines are equipped with a recoil and an electric starter. This section explains the controls available with the recoil starter.

Recoil Starter

A recoil starter allows you to manually start an engine by pulling on the recoil starter handle (1, **Figure 10**). When you pull on the handle you set the flywheel and crankshaft in motion. The recoil starter is spring-loaded so the handle and attached rope automatically return to the recoil starter assembly.

Decompression Lever

Pressing the decompression lever (2, **Figure 10**) helps you start the engine by reducing the effort needed to pull the recoil starter handle. The decompression lever will automatically return to the original position when the engine starts.

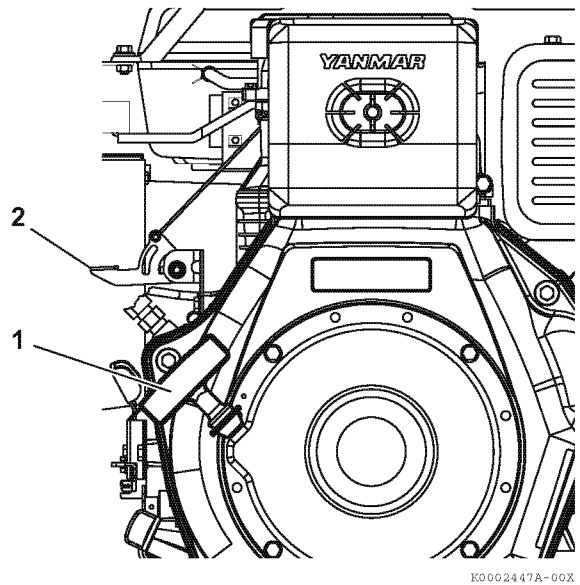


Figure 10

ENGINE CONTROLS – ELECTRIC STARTER

Key Switch

The generator is equipped with a three position key switch - OFF, ON, and START.

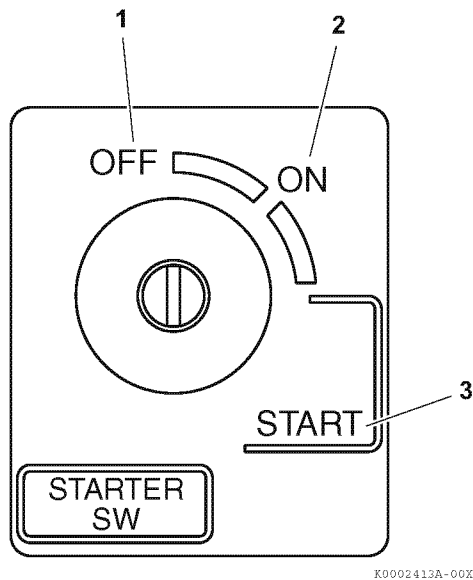


Figure 11

OFF (key straight up and down) (1, **Figure 11**) - When you turn the key to this position the engine shuts down. Electric current to the battery, low engine oil shutdown device and other electric devices is shut off. The key can be inserted and removed from this position.

ON (2, **Figure 11**) - This is the position the key will be in when the engine is running. After starting engine, key switch will automatically return to this position.

START (3, **Figure 11**) - Turn the key to this position to start the engine. As soon as the engine starts, release the key and it will automatically return to the ON position.

NOTICE

Never hold the key in the START position for longer than 15 seconds or the starter motor will overheat.

Engine Speed Control Lever

NOTICE

If using the stop lever to shut-down the engine, be sure to return the key switch to the OFF position to prevent discharging of the battery.

The engine speed control lever (1, **Figure 12**) is moved to the run position (2, **Figure 12**) for generator operation. To stop the generator, turn the key switch to the OFF position, or push down on the stop lever (3, **Figure 12**) and the speed control lever (1, **Figure 12**), which is spring-loaded, will move back to the stop position.

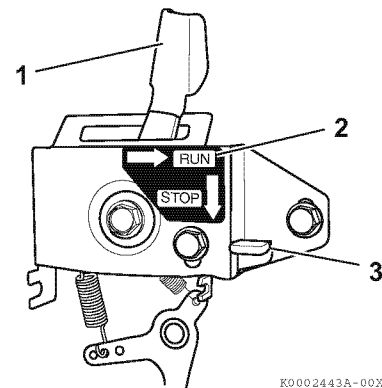


Figure 12

PRODUCT OVERVIEW

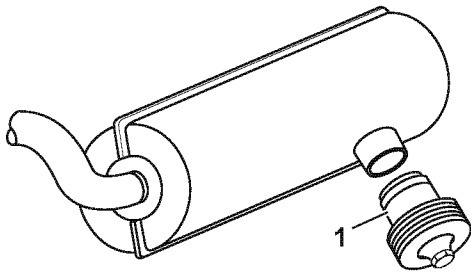
SPARK ARRESTER

A spark arrester (1, **Figure 13**) is installed in the outlet port of the muffler. A spark arrester is required if using the generator in a national forest and other designated state and local areas. Check local codes.

The spark arrester needs periodic cleaning. A dirty spark arrester reduces engine output and increases fuel consumption. It also makes starting difficult.

NOTICE

A clogged spark arrester hinders the flow of exhaust gas. This reduces engine output, increases fuel consumption and makes starting difficult.



K0001567B-00X

Figure 13

BEFORE YOU OPERATE

INTRODUCTION

This section of the Operation Manual describes activating a new battery, diesel fuel and engine oil specifications and how to replenish them. It also describes the proper way to connect the electrical loads to the generator and the daily engine checkout.

BEFORE YOU OPERATE

BATTERY

Activating the Battery

WARNING

- Batteries contain sulfuric acid.
- Never allow battery fluid to come in contact with clothing, skin or eyes. Severe burns could result.
- Always wear safety goggles and protective clothing when servicing the battery.
- If battery fluid contacts the eyes and/or skin, immediately flush the affected area with a large amount of clean water and obtain prompt medical treatment.

NOTICE

Do not remove the aluminum foil or sealing tape (3, **Figure 14**) from the battery until it is ready to be filled with electrolyte. Removing the foil or sealing tape will cause the battery to lose its dry charge.

1. Loosen nuts (1, **Figure 14**) that secure the battery hold-down (2, **Figure 14**).
2. Loosen nuts enough so battery hold-down can be moved off the top of battery. The nuts just need to be loosened; they do not need to be removed.
3. Lift battery out of frame onto a work bench.

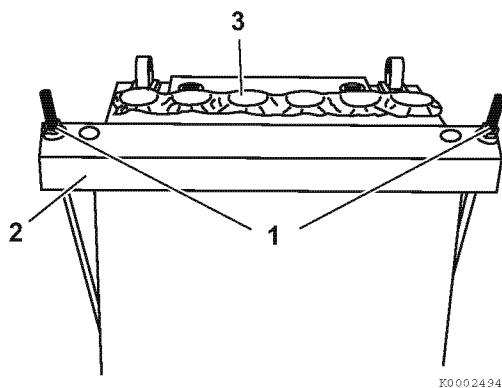


Figure 14

4. Fill the battery with electrolyte.

NOTICE

The battery is shipped dry and needs to be filled with electrolyte. The battery will require approximately 1.9 qt (1.8 L) of electrolyte to be filled. See your local auto parts store to purchase electrolyte for your battery.

5. Remove the aluminum foil or sealing tape from the top of the battery.
6. Carefully fill the battery with electrolyte up to the upper level line (1, **Figure 15**).
7. Let battery stand for half an hour to allow any trapped gases to escape.
8. After letting battery stand, top off battery with electrolyte, if needed, so it is at the upper level line (1, **Figure 15**). Battery level should never be below the lower level line (2, **Figure 15**).

NOTICE

Always keep the electrolyte level between the upper and lower lines on the battery.

9. If battery was filled with electrolyte immediately after aluminum foil or sealing tape was removed, battery does not need to be charged. If battery needs to be charged, see *Charging the Battery* on page 24.

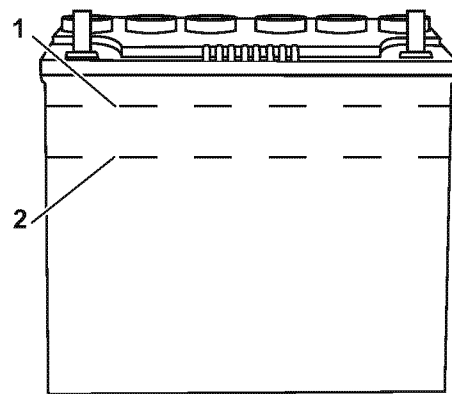


Figure 15

10. Install caps (1, **Figure 16**) onto battery. Hand-tighten caps. Do not over-tighten.

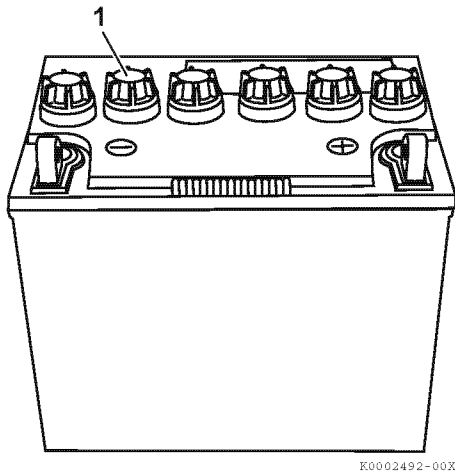


Figure 16

11. Install battery into generator.
 12. Reinstall battery hold-down (1, **Figure 17**) onto battery.
 13. Tighten nuts (2, **Figure 17**) until battery hold-down is tight. Do not over-tighten nuts.
 14. Connect battery cables to battery. See *Disconnecting and Connecting Battery Cables* on page 25.
 15. Install boot (3, **Figure 17**) onto the positive (+) terminal of the battery.

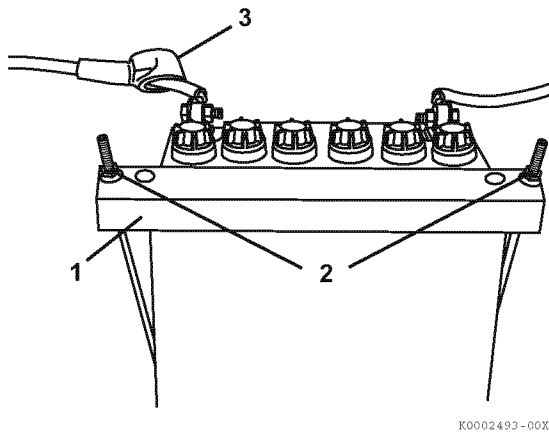


Figure 17

Checking Battery Electrolyte Level

⚠ DANGER

Never check the remaining battery charge by shorting out the terminals. This will result in a spark and may cause an explosion or fire. Use a hydrometer to check the remaining battery charge.

⚠ WARNING

- Batteries contain sulfuric acid.
- Never allow battery fluid to come in contact with clothing, skin or eyes. Severe burns could result.
- Always wear safety goggles and protective clothing when servicing the battery.
- If battery fluid contacts the eyes and/or skin, immediately flush the affected area with a large amount of clean water and obtain prompt medical treatment.

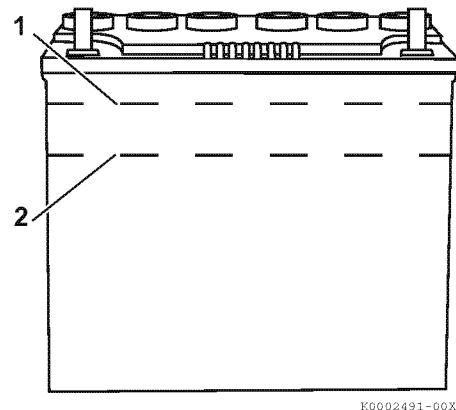


Figure 18

- When the amount of fluid nears the lower limit line (2, **Figure 18**), remove caps and fill with distilled water so it is at the upper limit line (1, **Figure 18**). If operation continues with insufficient battery fluid, the battery life is shortened, and the battery may overheat and explode. During the summer, check the fluid level more often than specified.

BEFORE YOU OPERATE

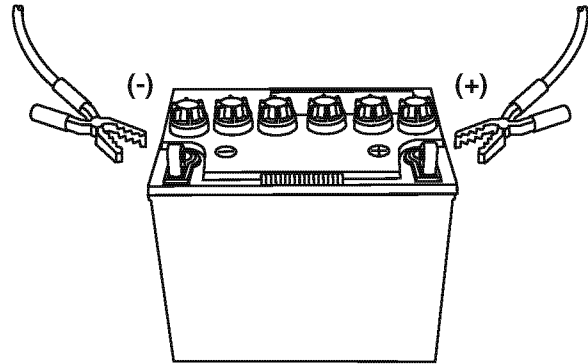
- If the engine cranking speed is so slow that the engine does not start, recharge the battery.
- If the engine still will not start after charging, have your authorized YANMAR dealer or distributor check the battery and the engine's starting system.
- If operating the machine where the ambient temperature could drop to 14 °F (-10 °C) or less, remove the battery from the machine at the end of the day. Store the battery in a warm place until the next use. This will help start the engine easily at low ambient temperatures.

Charging the Battery

⚠ DANGER

- If the electrolyte is frozen, slowly warm the battery before you recharge it.
- Avoid serious personal injury or equipment damage. Before charging, remove the cap from each cell of the battery and always make sure there is plenty of ventilation when charging battery. Discontinue charging if the electrolyte temperature exceeds 117 °F (45 °C). While the engine is running or the battery is charging, hydrogen gas is being produced and can be easily ignited. Always keep the area around the battery well-ventilated and keep sparks, open flames and any other form of ignition out of the area.
- Never charge the battery while connected. The diodes will be damaged by the high voltage. Connect the (+) lead of the charger to the (+) terminal of the battery, and the (-) lead to the (-) terminal. Reversed polarity will damage the charger rectifier or the battery. After charging is completed, connect the battery cables correctly to the battery. Reversed polarity wiring will damage the diodes. Quick-charging should only be done in an emergency; slow charging is recommended.

1. Disconnect the battery cables from the battery. See *Disconnecting and Connecting Battery Cables* on page 25.
2. Clean terminals on the battery and clamps on the end of the cables.
3. Connect the positive (+) clamp from the charger to the positive (+) terminal on the battery.
4. Connect the negative (-) clamp from the charger to the negative (-) terminal on the battery.



K0002490-00X

Figure 19

5. When finished charging the battery, unplug the charger before disconnecting clamps from the battery. See *Disconnecting and Connecting Battery Cables* on page 25.

Disconnecting and Connecting Battery Cables

⚠ CAUTION

- This generator uses a negative ground 12 VDC starting system. Always shut down the engine before removing or attaching battery cables. Always remove the negative (-) cable first. Always attach the negative (-) cable last.
- When you install a battery, always use correct polarity when you connect battery cables to the battery. Always make sure the battery terminals are clean and tight.

1. When disconnecting cables, loosen and disconnect negative (-) cable (1, **Figure 20**) first from battery.
2. Disconnect positive (+) cable (2, **Figure 20**) from battery last.

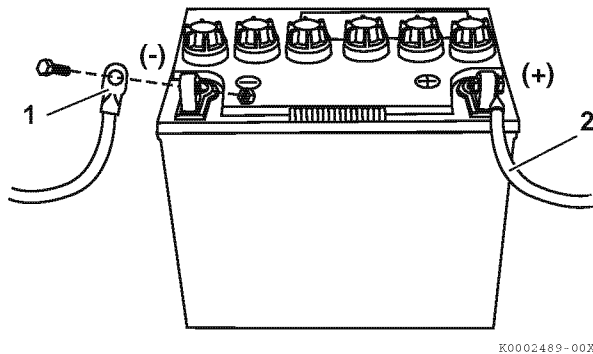


Figure 20

3. When connecting cables to battery connect the positive (+) cable (1, **Figure 21**) first.

4. Connect the negative (-) cable (2, **Figure 21**) to the battery last.

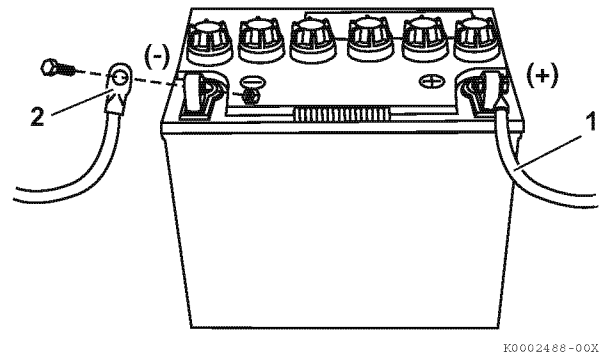


Figure 21

K0002488-00X

BEFORE YOU OPERATE

DIESEL FUEL

Diesel Fuel Specifications

Diesel fuel should comply with the following specifications. The table lists several worldwide specifications for diesel fuels.

Diesel fuel specification	Location
ASTM D975-94 No. 1-D S15 No. 2-D S15	USA
EN590:96	European Union
ISO 8217 DMX	International
BS 2869-A1 or A2	United Kingdom
JIS K2204 Grade No.2	Japan
KSM-2610	Korea
GB252	China

■ Additional technical fuel requirements

- Only use diesel fuels recommended by YANMAR for the best engine performance, to prevent engine damage and to comply with EPA/ARB warranty requirements.
- Only use clean diesel fuel.
- The fuel cetane number should be 45 or higher. If it is lower than 45, it may cause white exhaust smoke especially when the ambient temperature is low.
- Never remove inlet strainer from the filler port. If removed, dirt and debris could get into the fuel system causing it to clog.
- The sulfur content must not exceed 15 ppm by volume.
Especially in U.S.A. and Canada, Ultra Low Sulfur fuel must be used.
- Bio-diesel fuels. *See Bio-diesel fuels on page 26.*
- Never mix kerosene, used engine oil, or residual fuels with the diesel fuel.
- Water and sediment in the fuel should not exceed 0.05 % by volume.

- Keep the fuel tank and fuel-handling equipment clean at all times.
- Poor quality fuel can reduce engine performance and/or cause engine damage.
- Fuel additives are not recommended. Some fuel additives may cause poor engine performance.
- Ash content not to exceed 0.01 % by volume.
- Carbon residue content not to exceed 0.35 % by volume. Less than 0.1 % is preferred.
- Total aromatics content should not exceed 35 % by volume. Less than 30 % is preferred.
- PAH (Polycyclic Aromatic Hydrocarbons) content should be below 10 % by volume.
- The fuel must be Zinc free.
- Metal content of Na, Mg, Si, and Al should be equal to or lower than 1 mass ppm. (Test analysis method JPI-5S-44-95)
- Lubricity: Wear mark of WS1.4 should be Max. 0.018 in. (460 µm) at HFRR test.

■ Bio-diesel fuels

In Europe and in the United States, as well as some other countries, non-mineral oil based fuel resources such as RME (Rapeseed Methyl Ester) and SOME (Soybean Methyl Ester), collectively known as FAME (Fatty Acid Methyl Esters), are being used as extenders for mineral oil derived diesel fuels.

YANMAR approves the use of bio-diesel fuels for L-W engines that do not exceed a blend of 7 % (by volume) of FAME with 93 % (by volume) of approved mineral oil derived diesel fuel. Such bio-diesel fuels are known in the marketplace as B5 diesel fuels.

These B7 diesel fuels must meet certain requirements.

- The bio-fuels must meet the minimum specifications for the country in which they are used.
 - In Europe, bio-diesel fuels must comply with the European Standard EN14214.
 - In the United States, bio-diesel fuels must comply with the American Standard ASTM D-6751.
- Bio-fuels should be purchased only from recognized and authorized diesel fuel suppliers. In North America, bio-diesel and bio-diesel blends must be purchased from the BQ-9000 accredited producers and BQ-9000 certified distributors.

Precautions and concerns regarding the use of bio-fuels:

- Free methanol in FAME may result in corrosion of aluminum and zinc FIE components.
- Free water in FAME may result in plugging of fuel filters and increased bacterial growth.
- High viscosity at low temperatures may result in fuel delivery problems, injection pump seizures, and poor injection nozzle spray atomization.
- FAME may have adverse effects on some elastomers (seal materials) and may result in fuel leakage and dilution of the engine lubricating oil.
- Even bio-diesel fuels that comply with a suitable standard as delivered, will require additional care and attention to maintain the quality of the fuel in the equipment or other fuel tanks. It is important to maintain a supply of clean, fresh fuel. Regular flushing of the fuel system, and/or fuel storage containers, may be necessary.
- The use of bio-diesel fuels that do not comply with the standards as agreed to by the diesel engine manufacturers and the diesel fuel injection equipment manufacturers, or bio-diesel fuels that have degraded as per the precautions and concerns above, may affect the warranty coverage of your engine. See *YANMAR LIMITED WARRANTY* on page *i*.

Filling the Fuel Tank

⚠ DANGER

- Only fill the fuel tank with diesel fuel. Filling the fuel tank with gasoline may result in a fire and will damage the engine, never refuel with the engine running.
- Never overfill the fuel tank.

⚠ CAUTION

Never remove inlet fuel screen from the filler port when filling the fuel tank. If removed, dirt and debris could get into the fuel system causing it to clog.

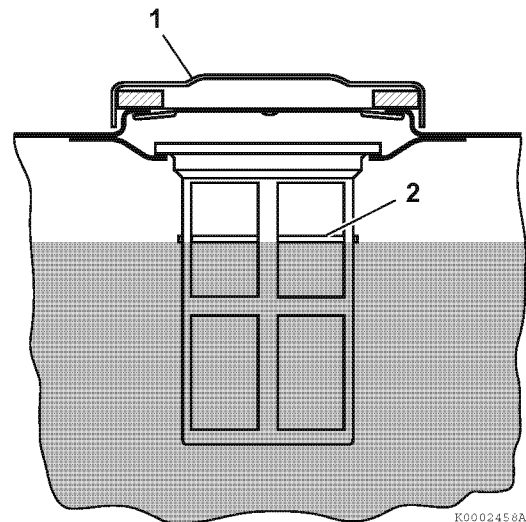


Figure 22

1. Clean the area around the fuel cap.
2. Remove the fuel cap (1, **Figure 22**) from the fuel tank.
3. Stop fueling when the fuel is at the same level as the red ring (2, **Figure 22**) at the bottom of the inlet fuel screen.
4. Replace the fuel cap and hand-tighten. Over-tightening the fuel cap will damage it.

BEFORE YOU OPERATE

ENGINE OIL

The YANMAR YDG generators are equipped with a low oil pressure stop device. This device stops the engine automatically when the oil pressure falls below the specified level and prevents engine seizure when engine oil is low.

NOTICE

- Only use the engine oil specified. Other engine oils may affect warranty coverage, cause internal engine components to seize, or shorten engine life.
- Prevent dirt and debris from contaminating the engine oil. Carefully clean the oil cap/dipstick and the surrounding area before you remove the cap.
- Never mix different types of engine oil. This may adversely affect the lubricating properties of the engine oil.
- Never overfill. Overfilling may result in white exhaust smoke, engine overspeed or internal damage.

Engine Oil Specifications

Use an engine oil that meets or exceeds the following guidelines and classifications:

■ Service categories

- API service categories CJ-4
- ACEA service categories E6
- JASO service category DH-2

■ Definitions

- API classification (American Petroleum Institute)
- ACEA classification (Association des Constructeurs Européens d'Automobiles)
- JASO (Japanese Automobile Standards Organization)

NOTICE

- Be sure the engine oil, engine oil storage containers, and engine oil filling equipment are free of sediments and water.
- Change the engine oil after the first 50 hours of operation and then at every 200 hours thereafter.
- Select the oil viscosity based on the ambient temperature where the engine is being operated. See SAE service grade viscosity chart (Figure 23).
- YANMAR does not recommend the use of engine oil "additives".

■ Additional technical engine oil requirements:

The engine oil must be changed when the Total Base Number (TBN) has been reduced to 1.0. TBN (mgKOH/g) test method; JIS K-201-5.2-2 (HCl), ASTM D4739 (HCl)

Engine Oil Viscosity

Select the appropriate engine oil viscosity based on the ambient temperature and use the SAE Service Grade Viscosity Chart in Figure 23.

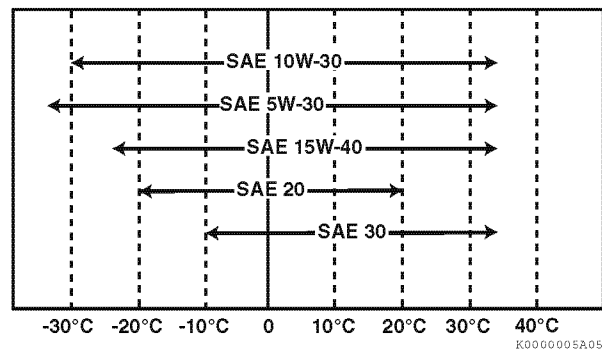


Figure 23

Checking Engine Oil

1. Make sure engine is level.
2. Remove oil cap/dipstick (1, **Figure 24**) from either location and wipe with clean cloth.
3. Fully reinsert oil cap/dipstick **but do not screw in**.
4. Remove oil cap/dipstick. The oil level should be between upper (2, **Figure 24**) and lower (3, **Figure 24**) lines on the oil cap/dipstick.
5. Fully reinsert oil cap/dipstick (1, **Figure 24**) and hand tighten. Over-tightening the oil cap/dipstick will damage it.

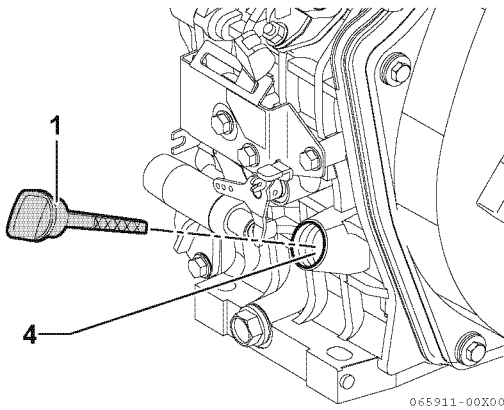
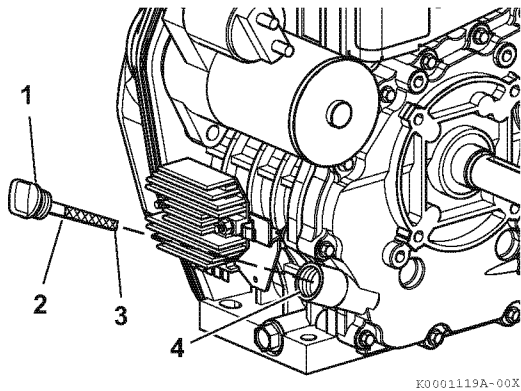


Figure 24

Adding Engine Oil

1. Make sure engine is level.
2. Remove oil cap/dipstick (1, **Figure 24**).
3. Add indicated amount of engine oil at either one of the engine oil filler ports (4, **Figure 24**).
4. Wait one minute and check oil level.
5. Add more oil if necessary.
6. Fully reinsert oil cap/dipstick (1, **Figure 24**) and hand tighten. Over-tightening the oil cap/dipstick will damage it.

Engine Oil Capacity (Typical)

The following are the engine oil capacities for various YANMAR L-W series engines.

Engine model	Dipstick upper limit/lower limit
Engine-L70W (Generator-YDG3700)	1.16/0.74 qt (1.10/0.7 L)
Engine-L100W (Generator-YDG5500)	1.7/1.06 qt (1.6/1.0 L)

Note: Oil capacity will vary depending upon which optional oil pan is used. Refer to the operation manual provided by the driven machine manufacturer for the actual engine oil capacity of your machine.

BEFORE YOU OPERATE

GENERATOR CHECK

⚠ WARNING

Always have a licensed electrician connect the generator to the utility circuit. Improper installation can cause the generator to back-feed into the utility power line. This may electrocute a power company line repair person. Also, if the generator is powering electrical circuits, the chance of an electrical fire exists.

⚠ CAUTION

- Never use metal pipe that carries combustible materials or gases to ground the generator. Always ground the generator. Connect a length of heavy wire between the generator ground terminal and an external ground.
- When using a 120 V system, push the change-over switch to the right (120 V).
- Do not start two or more appliances simultaneously and always start them one at a time. Never use floodlights with other appliances.

1. Only use grounded extension cords. Be sure to use an extension cord with the proper wire gauge size. See the following table.

Recommended minimum wire gauges (AWG) for extension cords

Ampere load	AWG for length of cord ft (m)		
	50 (15)	100 (30)	150 (46)
2	18	18	18
3	18	18	18
4	16	16	16
5	16	16	16
6	16	16	14
8	16	14	12
10	16	14	12
12	14	14	12
14	14	12	10
16	12	12	10
20	10	10	8

2. Properly ground the unit:
- Attach a #10 stranded-copper ground wire to the ground lug.
 - Drive a grounding point into the ground. The grounding point can be a stake, grounding rod or pipe. The grounding point should be copper or brass.
 - Attach the ground wire to the grounding point (1, **Figure 25**). You must supply the ground wire and grounding point. These are not supplied with the generator. Follow the National Electrical Code and all state and local codes. Consult your power company or a licensed electrician.

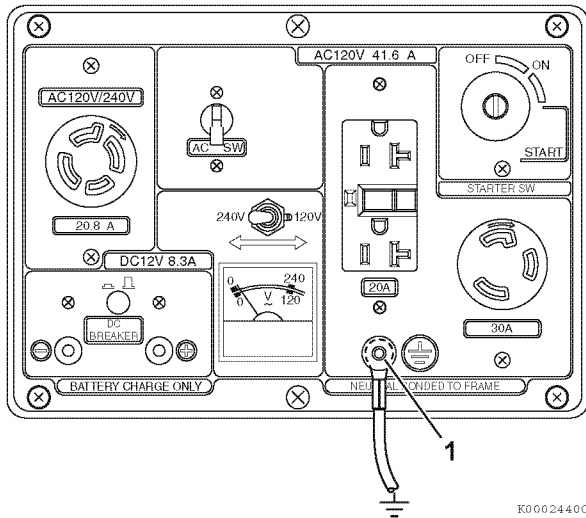


Figure 25

3. Select the proper load for use with the generator set. See *Selecting the Proper Load on page 32*.
4. Before starting the engine, place the change-over switch (1, **Figure 26**) in the correct position for the rated voltage of the working appliances.

5. Before starting, always turn OFF the main AC switch of the generator (1, **Figure 27**) and any other loads. Make sure nothing is plugged into or connected to the generator.

(1, **Figure 27**) shows the main AC switch on the YDG3700 and YDG5500 generators.

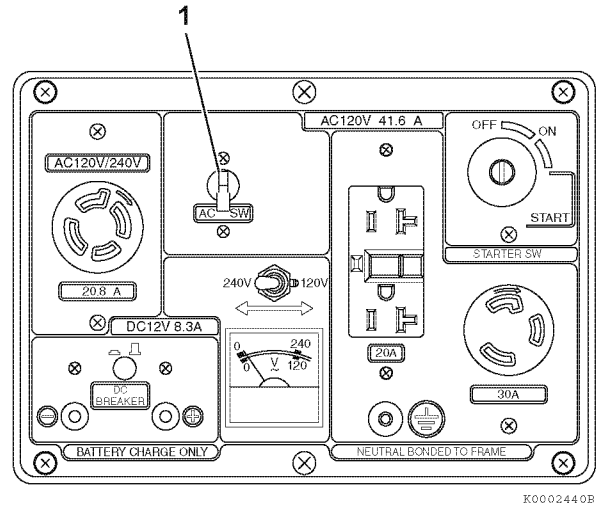


Figure 27

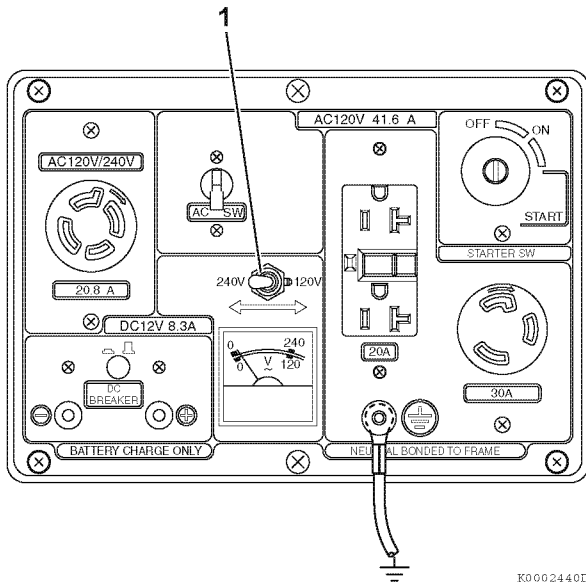


Figure 26

BEFORE YOU OPERATE

Selecting the Proper Load

⚠ CAUTION

- Never exceed the specified current limit for any one electrical terminal.
- Most home utility electric service is more than 60 amps. This generator will not power your entire home. This will exceed generator output. Only power items needed during a power outage. Always ensure total wattage of electrical load does not exceed rated wattage of generator.
- Do not start two or more appliances simultaneously and always start them one at a time. Never use floodlights with other appliances.

NOTICE

Most electric appliances require more than their rated wattage for start-up.

The following appliance wattage table shows wattage of some common household appliances. This should be used as a generic guide only. Different manufacturers of certain products may require more wattage. See your authorized YANMAR dealer or distributor with any questions.

Decide what electrical load your generator can power. Do this before using the generator. Use the following four step method. It will help to select a load that is not too large. Make sure total wattage of all electrical loads does not exceed the rated output capacity of your generator.

1. Make two lists of items you want powered by the generator. List all motors and motor powered appliances in one. List all lights and small appliances in the other. For standby service to home or building, only include items you must power.

2. Enter running watts of each item except electric motors. The light bulb or appliance nameplate lists its wattage. Remember, 1 kW = 1000 watts.

Note: The nameplate may not list wattage. It may only list volts and amps.

- The formula for finding wattage is:
volts x amps = watts.
- For example, an appliance nameplate states 3 amps at 120 volts: 3 amps x 120 volts = 360 watts.

3. Electric motors present a special problem when figuring load as they require up to three times their rated wattage to start.

- For example, an electric motor nameplate states 5 amps at 120 volts.

5 amps x 120 volts = 600 watts: **Running watts**

Multiply this by 3. This will show the starting watts needed.

600 watts x 3 = 1800 watts: **Starting watts**

NOTICE

When figuring the generator load for motors, you must use the **Starting watts** and not the **Running watts**.

Note: Some motors require nearly the same wattage to run as to start. These items include saws, drills, hair dryers and food mixers.

4. Add running watts and starting watts of all items. This total must not exceed the rated output capacity of your generator. It is a good idea to have up to 25 % extra capacity for future needs or extra equipment.

Typical electrical appliance wattages

Application/equipment	Running/rated watts	Starting/surge watts
Light bulb (100 W)	100	100
AM/FM radio	50 - 200	50 - 200
CB radio	50	50
Fan	200	600
Television	300 - 400	300 - 400
Microwave oven	700	1000
Air conditioner (12,000 BTU)	3250	5000
Furnace fan (1/3 hp blower motor)	600	1800
Vacuum cleaner	600	750
Sump pump (1/3 hp)	700	2100
Refrigerator/freezer	800	2400
Deep freezer	500	1500
Circular saw	1000 - 2500	2300 - 4600
Circular saw 6 in.	800	1000
Floodlight	1000	1000
Drill 1/2 in. electric	1000	1250
Toaster	1200	1200
Coffee maker	1200	1200
Skillet	1200	1200
Chain saw 14 in. electric	1200	1500
Water well pump (1/2 hp)	1000	3000
Hot plate/range (per burner)	1500	1500
Table saw 10 in.	2000	6000
Water heater (storage type)	5000	5000
12 VDC battery charger	120	120

BEFORE YOU OPERATE

INITIAL ENGINE START UP

NOTICE

On the initial engine start-up, allow the engine to run without a load for approximately 15 minutes while you check for abnormal noises or vibration, diesel fuel leaks, engine oil leaks, and for proper operation.

Avoid continuous operation at maximum load for the remainder of the first hour of operation.

During the first 10 hours of operation, check the engine oil level frequently. See *Checking Engine Oil* on page 29.

DAILY CHECKS

CAUTION

It is important to perform daily checks as periodic maintenance prevents unexpected downtime, reduces the number of accidents due to poor engine performance and helps extend the life of the engine.

Before you operate, make sure the YANMAR YDG generator is in good operating condition. Make sure you check the following items before you start your generator and have any repairs completed before starting the generator.

- **Visual Checks**
- **Check Battery Electrolyte Level**
- **Check Diesel Fuel and Engine Oil Levels**
- **Check Spark Arrester**

Visual Checks

WARNING

- **Always wear eye protection when servicing the generator set.**
- **Never check for a fuel leak with your hands.**
- **Always use a piece of wood or cardboard.**
- **Have your authorized YANMAR dealer or distributor repair the damage.**

CAUTION

If any problem is noted during the visual check, the necessary corrective action should be taken before you operate the generator set.

1. Check for engine oil leaks.
2. Check for fuel leaks.
3. Check for damaged or missing parts.
4. Check for loose, missing or damaged fasteners.
5. Check the electrical harnesses for cracks, abrasions and damaged or corroded connectors.
6. Check hoses for cracks, abrasions and damaged, loose or corroded clamps.
7. Check for tripped circuit breakers and GFCI receptacles. If the cause of the tripped circuit breaker or GFCI cannot be determined, see your authorized YANMAR dealer or distributor. See *GFCI (Ground Fault Circuit Interrupter)* on page 41.

Check Battery Electrolyte Level

Follow the procedures in *Checking Battery Electrolyte Level* on page 23 to check the battery levels.

Check Diesel Fuel and Engine Oil Levels

Follow the procedures in *Filling the Fuel Tank* on page 27 and *Checking Engine Oil* on page 29 to check these levels.

Check Spark Arrester

Check the spark arrester for clogging and clean as necessary. See *Check spark arrester* on page 49.

GENERATOR OPERATION

INTRODUCTION

This section of the Operation Manual describes the procedures for starting the generator, checking generator performance during operation and shutting the generator down.

GENERATOR OPERATION

STARTING THE GENERATOR

Recoil Start

CAUTION

Always depress the decompression lever to allow the engine to start more quickly and prevent damage to the recoil starter.

Use the following procedure to start the engine using the recoil starter.

1. Make sure you follow the procedures stated in *DAILY CHECKS* on page 34.
2. Fill fuel tank with clean, fresh fuel. See *Filling the Fuel Tank* on page 27.
3. Before starting, always turn OFF the main AC switch of the generator and any other loads. Make sure nothing is plugged into or connected to the generator. See *GENERATOR CHECK* on page 30.
4. Turn the key clockwise from the OFF position (1, **Figure 28**) to the ON position (2, **Figure 28**).

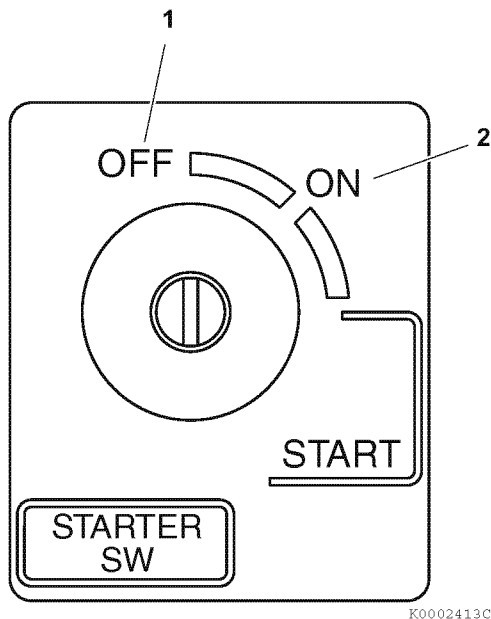


Figure 28

5. Move the engine control lever (1, **Figure 29**) to the RUN position (2, **Figure 29**).

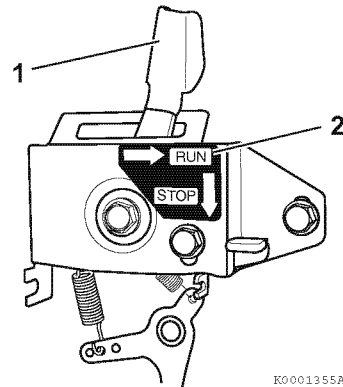


Figure 29

6. Grasp the recoil starter handle (1, **Figure 30**).
7. Pull the handle out slowly until you feel strong resistance.
8. Slowly return the recoil starter handle to the initial position.
9. Push the decompression lever (2, **Figure 30**) down until it locks in place and then release it. The decompression lever will automatically return to the original position when the engine starts.

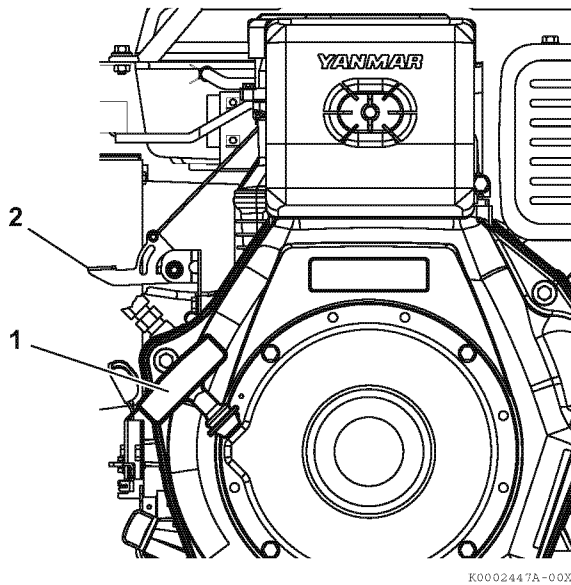


Figure 30

10. Grasp the recoil starter handle (1, **Figure 30**).
11. Pull the handle all the way out with a strong and even motion. Use two hands if necessary.

NOTICE

Always pull recoil starter handle all the way out or the engine will not start. Pulling out the recoil starter handle too hard or fast will damage the equipment. Never allow the recoil starter handle to snap back against the engine. Return the handle to the starting position gently to prevent damage to the recoil starter.

12. Slowly return the recoil starter handle to the initial position.
13. If the engine does not start, repeat this procedure from Step 5.

Electric Start

Use the following procedure to start the engine using the electric starter.

1. Make sure you follow the procedures stated in *DAILY CHECKS* on page 34.
2. Fill fuel tank with clean, fresh fuel. See *Filling the Fuel Tank* on page 27.
3. Before starting, always turn OFF the main AC switch of the generator and any other loads. Make sure nothing is plugged into or connected to the generator. See *GENERATOR CHECK* on page 30.
4. Move the engine speed control lever (1, **Figure 31**) to the RUN position (2, **Figure 31**).

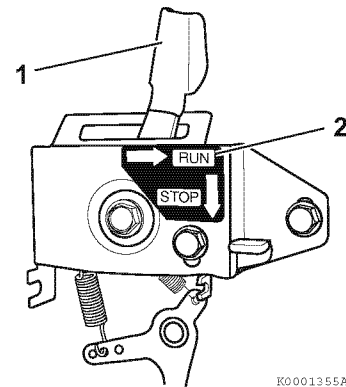


Figure 31

5. Insert the key into the key switch.

GENERATOR OPERATION

- Turn the key clockwise to the START position (1, **Figure 32**). Release the key as soon as the engine starts. It will return to the ON position (2, **Figure 32**).

NOTICE

Never hold the key in the START position for longer than 15 seconds or the starter motor will overheat.

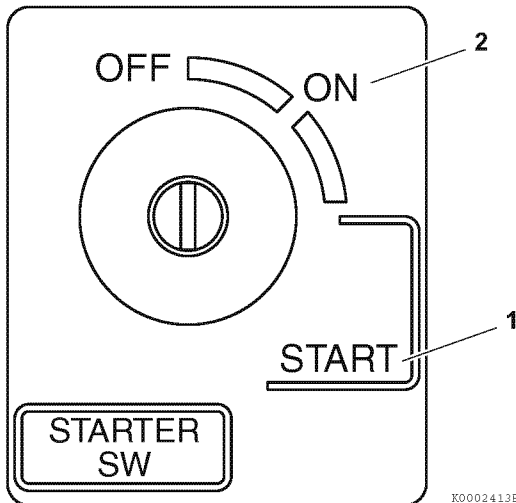


Figure 32

- If the engine fails to start:
 - Wait until the engine comes to a complete stop before you attempt to start it again.

NOTICE

Engaging the starter while the engine is still rotating will result in damage to the starter motor and flywheel.

- Wait at least 30 seconds before you attempt to start the engine again.

NOTICE

Waiting 30 seconds will allow the battery voltage to recover to prevent damage to the starter motor due to the low battery voltage.

CHECKING THE GENERATOR SET DURING OPERATION

- Check for fuel or engine oil leaks. If any leaks are found, shut down the engine and have the necessary repairs performed.
- Check for abnormal sounds or vibration. If the abnormal sounds or vibration cannot be resolved, shut down the engine and have the necessary repairs performed. Contact your authorized YANMAR dealer or distributor.
- Check for white or black smoke from the exhaust system. A small amount of white exhaust smoke is normal on start-up of a cold engine. Black exhaust smoke could mean the engine is overloaded or is being over-fueled. If either of these conditions persists, contact your authorized YANMAR dealer or distributor.
- Check the fuel level during operation. If the fuel level runs low, stop the engine and refuel. See *Filling the Fuel Tank* on page 27.
- If the oil pressure falls below the specified minimum, the low oil pressure shutdown will automatically stop the engine. Check the oil level and refill. See *Checking Engine Oil* on page 29.

Low Load Operation

Avoid low load operation as much as possible. Always operate at 1/4 load or greater when possible.

NOTICE

Always run the engine at full speed. Never run engine at lower speeds. At full speed, the engine runs at 3600 min⁻¹ (rpm) under load. The engine must maintain 3600min⁻¹ (rpm) for generator to create correct voltage. Running engine at lower speeds will damage generator and powered items.

Operating at 1/4 load or less for extended periods will cause carbon to mix with unburned fuel, clogging the head of the injection nozzle and piston head and fouling the muffler. Carbon buildup can be recognized by bluish white smoke being emitted from the engine. To avoid this, run the engine at 3/4 load or greater for 30 minutes or longer every 50 hours operation.

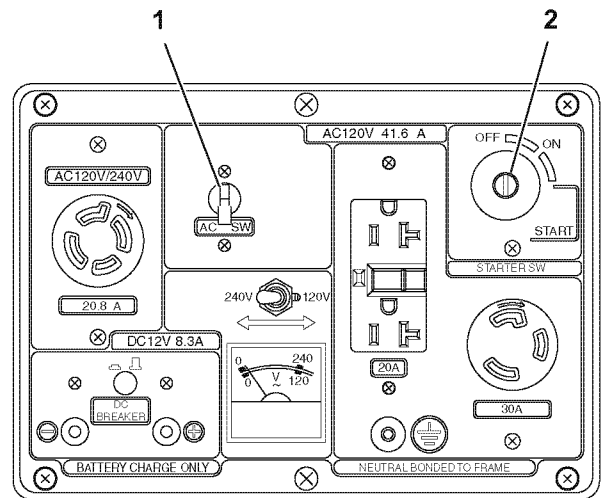
SHUTTING DOWN THE GENERATOR

NOTICE

For maximum engine life, YANMAR recommends that when shutting the engine down, you allow the engine to run, without load, for five minutes. This will allow the engine components that operate at high temperatures, such as the exhaust system, to cool slightly before the engine itself is shut down.

Follow these steps to shut down the engine:

1. Turn the generator main AC switch (1, **Figure 33**) OFF.
2. With the engine speed lever in the RUN position, operate the engine without load for about five minutes.
3. Turn the generator key switch (2, **Figure 33**) to OFF.



IK002442A

Figure 33

4. If the engine will not be used for six months or longer, follow the additional instructions in *LONG-TERM STORAGE* on page 65.

GENERATOR OPERATION

AC APPLICATION

CAUTION

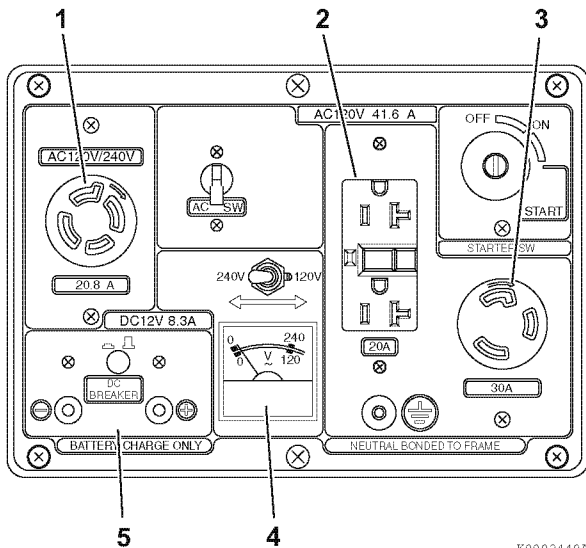
Always ensure that all appliances are in good working order before connecting them to the generator. If an appliance begins to operate abnormally, becomes sluggish or stops suddenly, turn off the generator main AC switch immediately. Then disconnect the appliance and examine it for malfunction.

1. Start the engine. See *STARTING THE GENERATOR* on page 36. Once the engine is started, make sure the voltage meter (1, **Figure 34**) indicates the voltage. If it does not, STOP the generator as the generator or voltage meter may be damaged.

2. Plug in the appliance.
3. Turn the main AC switch to the ON position.

NOTICE

If an overload trips the AC circuit protector, reduce the electrical load on the circuit and wait a few minutes before resuming operation.



K0002440A

- 1 – 120/240 VAC twist lock receptacle
- 2 – 120 VAC GFCI unit (receptacle)
- 3 – 120 VAC twist lock receptacle
- 4 – Voltage meter
- 5 – 12 VDC output terminal
(For 12 Volt DC battery charging only)

Figure 34

GFCI (Ground Fault Circuit Interrupter)

NOTICE

For your safety, the 20 A, 120 VAC receptacle in this generator is protected by a Ground Fault Circuit Interrupter (GFCI) unit.

Use the grounding terminal on the control panel. In the event that the power to this receptacle is lost, and a circuit breaker has not opened, the power can be restored by pressing the RESET button (2, **Figure 35**) on the GFCI unit.

- If the GFCI unit continues to trip, unplug the connected appliance, or any other load, from the GFCI receptacle and check the appliance for defects. Repair the faulty appliance before plugging into the GFCI receptacle.
- If the problem persists, contact your nearest authorized YANMAR dealer or distributor.
 - (a) To test the GFCI unit, press the TEST button (1, **Figure 35**). The RESET button (2, **Figure 35**) should pop out. If the RESET button does not pop out, notify your YANMAR dealer or distributor that you have lost GROUND FAULT protection.

- (b) To restore power, press the RESET button firmly into the GFCI unit until an audible click is heard. When reset properly, the RESET button is flush with the surface of the TEST button. When the button stays in, the power is ON at all the receptacles protected by the GFCI unit including its own receptacle. For maximum protection against electrical shock, test the GFCI unit monthly.

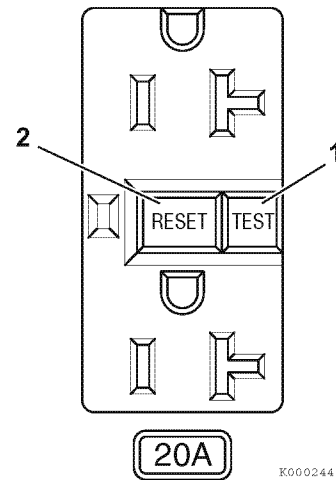


Figure 35

GENERATOR OPERATION

DC APPLICATION

WARNING

Never allow the free ends of the cables to touch each other. If this occurs the battery will short circuit.

NOTICE

DC terminals should be used for charging 12 VDC batteries only. Using the DC terminals for any other type of 12 VDC appliance may cause damage to generator and appliance.

The DC terminal (1, **Figure 36**) may be used for charging 12 volt automotive-type batteries only. (Other loads may not be used.)

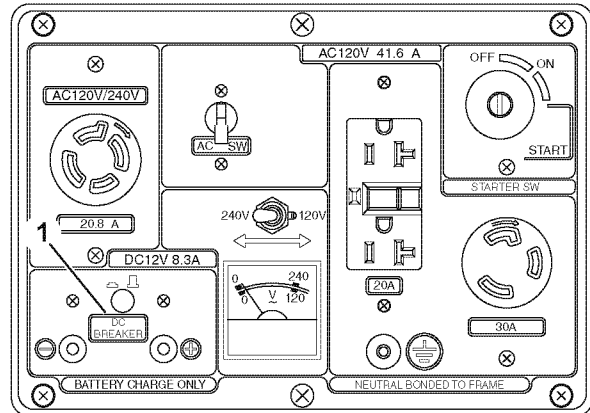
NOTICE

Never use the 12 VDC terminals at the same time as the AC terminals.

1. Always disconnect the negative (-) battery cable (if connected) from the battery to be charged before charging.
2. Start the generator set.
3. Connect the charging cable to the battery terminals and to the DC output terminals of the generator.

NOTICE

Always connect the positive battery terminal to the positive DC terminal on the generator. Never reverse the charging cables or serious damage to the generator and or battery may occur. Do not attempt to start an automobile engine while the generator is still connected to the battery as the generator may be damaged.



K0002440F

- 1 – 12 VDC output terminal
(For 12 VDC battery charging only)

Figure 36

PERIODIC MAINTENANCE

INTRODUCTION

This section of the Operation Manual describes the procedures for proper care and maintenance of the generator set.

PRECAUTIONS

The Importance of Periodic Maintenance

CAUTION

Establish a periodic maintenance plan according to the engine application and make sure you perform the required periodic maintenance at intervals indicated. Failure to follow these guidelines will impair the engine's safety and performance characteristics, shorten the engine's life and may affect the warranty coverage on your engine. See **YANMAR LIMITED WARRANTY** on page *i*. Consult your authorized YANMAR dealer or distributor for assistance when checking items marked with a ●.

Engine deterioration and wear occurs in proportion to length of time the generator has been in service and the conditions the generator is subject to during operation. Periodic maintenance prevents unexpected downtime, reduces the number of accidents due to poor machine performance and helps extend the life of the engine.

Performing Periodic Maintenance

Perform periodic maintenance procedures in an open, level area free from traffic. If possible, perform the procedures indoors to prevent environmental conditions, such as rain, wind, or snow, from damaging the machine.

The Importance of Daily Checks

CAUTION

It is important to perform daily checks. Periodic maintenance prevents unexpected downtime, reduces the number of accidents due to poor engine performance and helps extend the life of the engine.

Periodic Maintenance Schedules assume that the daily checks are performed on a regular basis. Make it a habit of performing daily checks before the start of each shift. See **DAILY CHECKS** on page 34.

Keep a Log of Generator Hours and Daily Checks

Keep a log of the number of hours the generator is run each day and a log of the daily checks performed. Also note the date, type of repair, and parts needed for any service needed between the periodic maintenance intervals. Periodic maintenance intervals are every 50, 200, 400, 1000, 1500 and 2000 hours of generator operation. Failure to perform periodic maintenance will shorten the life of the generator.

YANMAR Replacement Parts

YANMAR recommends that you use genuine YANMAR parts when replacement parts are needed. Genuine replacement parts help ensure long generator life.

Tools Required

Before you start any periodic maintenance procedure make sure you have the tools you need to perform all of the required tasks.

Ask Your Authorized YANMAR Dealer or Distributor for Help

YANMAR professional service technicians have the expertise and skills to help you with any maintenance or service related procedures.

Required EPA/ARB Maintenance - USA Only

To maintain optimum engine performance and compliance with the Environmental Protection Agency (EPA) Regulations Non-Road Engines and the California Air Resources Board (ARB, California), it is essential that you follow the *PERIODIC MAINTENANCE SCHEDULE* on page 47 and *PERIODIC MAINTENANCE PROCEDURES* which start on page 49.

EPA/ARB Installation Requirements - USA Only

The following are the installation requirements for the EPA/ARB. Unless these requirements are met, the exhaust gas emissions will not be within the limits specified by the EPA and ARB.

Maximum Exhaust Gas Restriction shall be:

L70W	0.59 psi (4.1 kPa; 420 mmAq) or less
L100W	0.63 psi (4.315 kPa; 440 mmAq) or less

Maximum exhaust gas restriction shall be:

L70W	0.20 psi (1.40 kPa; 143 mmAq) or less
L100W	0.22 psi (1.50 kPa; 153 mmAq) or less

Clean or replace the air cleaner element if the air intake restriction exceeds the above mentioned value.

Tightening Fasteners

Use the correct amount of torque when you tighten fasteners on the machine. Applying excessive torque may damage the fastener or component and not enough torque may cause a leak or component failure.

PERIODIC MAINTENANCE

TIGHTENING TORQUES FOR STANDARD BOLTS AND NUTS

Use the correct amount of torque when you tighten fasteners on the machine. Applying excessive torque may damage the fastener or component and not enough torque may cause a leak or component failure.

NOTICE

The tightening torque in the following chart should be applied only to the bolts with a "7" head. (JIS strength classification: 7T) Apply 60 % torque to bolts that are not listed. Apply 80 % torque when tightened to aluminum alloy.

Item	Nominal thread diameter × pitch	Tightening torque	Remarks
Hexagon bolt (7T) and nut	M6 × 1.0 mm	7 - 9 lb-ft (87 - 104 lb-in., 9.8 - 11.8 N·m, 1.0 - 1.2 kgf·m)	Use 80 % of the value at left when the tightening part is aluminum. Use 60 % of the value at left for 4T bolts and locknuts.
	M8 × 1.25 mm	17 - 21 lb-ft (200 - 251 lb-in., 22.6 - 28.4 N·m, 2.3 - 2.9 kgf·m)	
	M10 × 1.5 mm	33 - 40 lb-ft (44.1 - 53.9 N·m, 4.5 - 5.5 kgf·m)	
	M12 × 1.75 mm	58 - 72 lb-ft (78.4 - 98.0 N·m, 8.0 - 10 kgf·m)	
	M14 × 1.5 mm	94 - 108 lb-ft (127.5 - 147.1 N·m, 12.5 - 15.5 kgf·m)	
	M16 × 1.5 mm	160 - 174 lb-ft (216.2 - 235.8 N·m, 21 - 25 kgf·m)	
PT plug	1/8	7 lb-ft (87 lb-in., 9.8 N·m, 1.0 kgf·m)	-
	1/4	14 lb-ft (173 lb-in., 19.6 N·m, 2.0 kgf·m)	
	3/8	22 lb-ft (29.4 N·m, 3.0 kgf·m)	
	1/2	43 lb-ft (58.8 N·m, 6.0 kgf·m)	
Pipe joint bolt	M8	9 - 12 lb-ft (112 - 148 lb-in., 12.7 - 16.7 N·m, 1.3 - 1.7 kgf·m)	-
	M10	14 - 19 lb-ft (173 - 225 lb-in., 19.6 - 25.4 N·m, 2.0 - 2.5 kgf·m)	
	M12	18 - 25 lb-ft (24.5 - 34.3 N·m, 2.5 - 3.5 kgf·m)	
	M14	29 - 36 lb-ft (39.2 - 49.0 N·m, 4.0 - 5.0 kgf·m)	
	M16	36 - 43 lb-ft (49.0 - 58.8 N·m, 5.0 - 6.0 kgf·m)	

Note: Torque values shown in this manual are for clean, non-lubricated fasteners unless otherwise specified.

PERIODIC MAINTENANCE SCHEDULE

Daily and periodic maintenance is important to keep the engine in good operating condition. The following is a summary of maintenance items by periodic maintenance intervals. Periodic maintenance intervals vary depending on engine application, loads, diesel fuel and engine oil used and are hard to establish definitively. The following should be treated only as a general guideline.

NOTICE

Establish a periodic maintenance plan according to the engine application and make sure you perform the required periodic maintenance at intervals indicated. Failure to follow these guidelines will impair the engine's safety and performance characteristics, shorten the engine's life and may affect the warranty coverage on your engine. See *YANMAR LIMITED WARRANTY* on page *i*.

Consult your authorized YANMAR dealer or distributor for assistance when checking items marked with a ●.

Periodic Maintenance Chart

○: Check ◇: Replace ●: Contact your authorized YANMAR dealer or distributor for these maintenance services

System	Check item	Daily	Periodic maintenance interval					
			Every 50 hours	Every 200 hours	Every 400 hours	Every 1000 hours	Every 1500 hours	Every 2000 hours
Air intake	Clean or replace air cleaner element - may need more frequent service in dusty conditions			○				
Cylinder head	Adjust intake/exhaust valve clearance		○ 1st time		●			
	Check compression					●		
Electrical equipment	Check battery and add water as necessary	○ Before operation						
	Check battery indicator (if equipped) and other driven machine indicators (if equipped)	○ When engine is started						
Emission control warranty	Inspect, clean and test fuel injection nozzle						●	
	Inspect, any seriously damages or not in appearance of the muffler (DOC)							● Every 3000 hours *1
Engine oil	Check engine oil level and add engine oil as necessary	○ Before operation						

*1: If you find any damage or dent, contact your authorized YANMAR dealer or distributor.

PERIODIC MAINTENANCE

○: Check ◇: Replace ●: Contact your authorized YANMAR dealer or distributor for these maintenance services

System	Check item	Daily	Periodic maintenance interval					
			Every 50 hours	Every 200 hours	Every 400 hours	Every 1000 hours	Every 1500 hours	Every 2000 hours
Engine oil	Drain and refill engine oil			◇ 2nd and after				
	Clean engine oil filter - replace if damaged May need more frequent service in dusty conditions		◇ 1st time		◇ 2nd and after			
	Check for engine oil leakage	○ Before and after operation						
Engine speed control	Check for proper operation Verify adjustment	○ 1st time		○ 2nd and after				
Exhaust system	Check spark arrestor for clogging	○ Before operation						
Fuel	Check fuel tank level and add fuel as necessary	○ Before operation						
	Drain and clean fuel tank			○				
	Clean inlet fuel screen		○					
	Replace outlet fuel filter			○	◇			
	Check for fuel leakage	○ Before and after operation						
Hoses	Replace fuel system hose(s)							● or every 2 years whichever comes first
Generator	Check brushes for wear or damage				●			
	Check slip rings for wear or damage				●			
	Check coils and Automatic Voltage Regulator (AVR) for correct operation				●			
Frame	Check main and sub frames for damage				●			
	Check engine/frame dampers for wear, damage and tightness					●		
	Check all fasteners for damage and tightness				●			
GFCI outlet	Test outlet		●					

Note: These procedures are considered normal maintenance and are performed at the owners expense.

PERIODIC MAINTENANCE PROCEDURES

Daily, before Operation

Before performing periodic maintenance procedures, read the complete procedure including safety information.

Perform the following maintenance daily before operation.

- Check battery
- Check battery indicator
- Check engine oil level
- Check for engine oil leakage
- Check engine speed control (first time only)
- Check spark arrester
- Check fuel level
- Check for fuel leakage

■ Check battery

Check the battery electrolyte level. See *Checking Battery Electrolyte Level* on page 23.

■ Check battery indicator

Visually check the battery indicator (if equipped) and any other indicator provided by the driven machine manufacturer.

■ Check engine oil level

Before you operate the engine check the engine oil level. See *Checking Engine Oil* on page 29.

■ Check for engine oil leakage

Before you operate the engine check for any engine oil leaks. If you discover any engine oil leaks, contact your authorized YANMAR dealer or distributor for service.

■ Check engine speed control

Before you operate the driven machine check the engine speed control. See *Check and adjust engine speed control* on page 55.

■ Check spark arrester

⚠ WARNING

If the engine has been running, the muffler and the spark arrester will be very hot. Allow these to cool before proceeding.

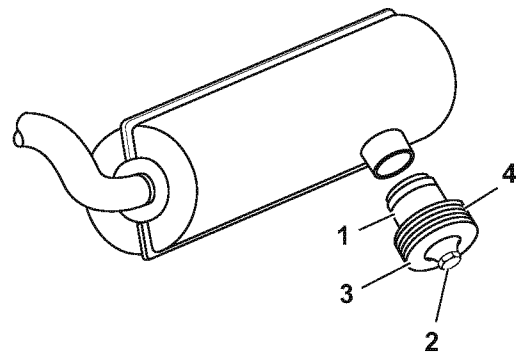
Clean the spark arrester regularly.

Clean the spark arrester (1, **Figure 37**) as follows.

NOTICE

A clogged spark arrester hinders the flow of exhaust gas. This reduces engine output, increases fuel consumption and makes starting difficult.

1. Remove the lock nut (2, **Figure 37**), end cap (3, **Figure 37**) and diffuser discs (4, **Figure 37**) from the spark arrester.



K0001567A-00X

Figure 37

2. Clean any carbon deposits from the spark arrester.
3. Reinstall the diffuser discs and end cap on the spark arrester and secure with the lock nut.

PERIODIC MAINTENANCE

■ Check fuel level

Before you operate the engine, check the fuel level.
See *Filling the Fuel Tank* on page 27.

■ Check for fuel leakage

DANGER

- Avoid personal injury.
 - Always wear eye protection when checking for fuel leaks and never check for a fuel leak with your hands.
 - Always use a piece of wood or cardboard. Have your authorized YANMAR dealer or distributor repair the damage.
-

Before you operate the engine, check for any fuel leaks.

Daily, after Operation

- Check for engine oil leakage
- Check for fuel leakage

■ Check for engine oil leakage

WARNING

Avoid being burned by contact with hot engine oil.

After you shut down the engine check for any engine oil leaks.

■ Check for fuel leakage

DANGER

- Avoid personal injury.
 - Always wear eye protection when checking for fuel leaks and never check for a fuel leak with your hands.
 - Always use a piece of wood or cardboard. Have your authorized YANMAR dealer or distributor repair the damage.
-

After you shut down the engine check for any fuel leaks.

After Initial 50 Hours of Operation

Perform the following maintenance after the initial 50 hours of operation.

- Replace engine oil
- Clean/inspect engine oil filter

■ Replace engine oil

⚠ WARNING

The engine oil will be hot after engine operation, stay clear of the hot engine oil to avoid being burned. Always wear eye protection.

NOTICE

The engine oil on a new engine becomes contaminated from the initial break-in of internal parts. The initial 50 hour oil change and filter cleaning is very important.

Drain the engine oil as follows:

1. Make sure the engine is level.
2. Start the engine and bring it up to operating temperature.
3. Stop the engine.
4. Position a container under the engine to collect waste oil.
5. Remove one of the drain plugs located on the bottom of the cylinder block (2, **Figure 38**). Allow oil to drain.

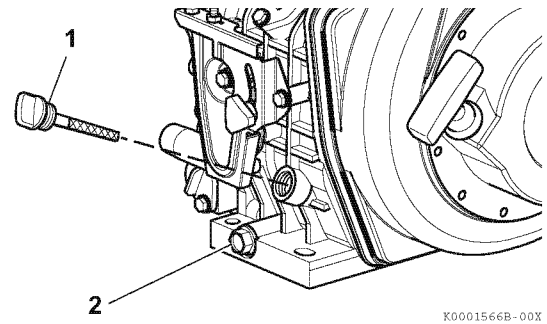
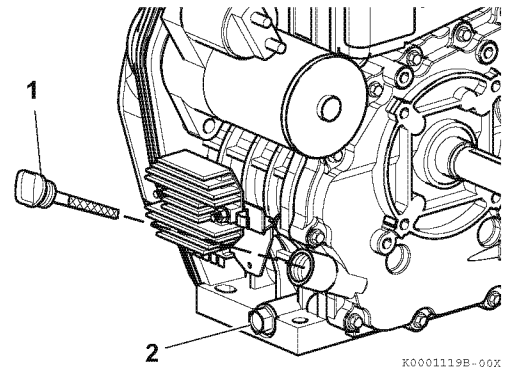


Figure 38

6. Remove the oil cap/dipstick (1, **Figure 38**) to allow the engine oil to drain more easily.

NOTICE

Prevent dirt and debris from contaminating the engine oil. Carefully clean the oil cap/dipstick and the surrounding area before you remove the cap.

7. After all oil has been drained from the engine, reinstall the drain plug (2, **Figure 38**) and tighten to 173 - 208 lb-in. (19.6 - 23.5 N·m, 2.0 - 2.4 kgf·m).

PERIODIC MAINTENANCE

8. Dispose of used oil properly.

NOTICE

- Always be environmentally responsible.
- Follow the guidelines of the EPA or other governmental agencies for the proper disposal of hazardous materials such as engine oil, diesel fuel and engine coolant. Consult the local authorities or reclamation facility.
- Never dispose of hazardous materials by dumping them into a sewer, on the ground or into ground water or waterways.

9. Inspect engine oil filter. See *Clean/inspect engine oil filter* on page 52.

10. Add engine oil until the level is between the upper (2, **Figure 39**) and lower (3, **Figure 39**) lines on the oil cap/dipstick (1, **Figure 39**). See *Adding Engine Oil* on page 29.

NOTICE

Never overfill. Overfilling may result in white exhaust smoke, engine overspeed or internal damage.

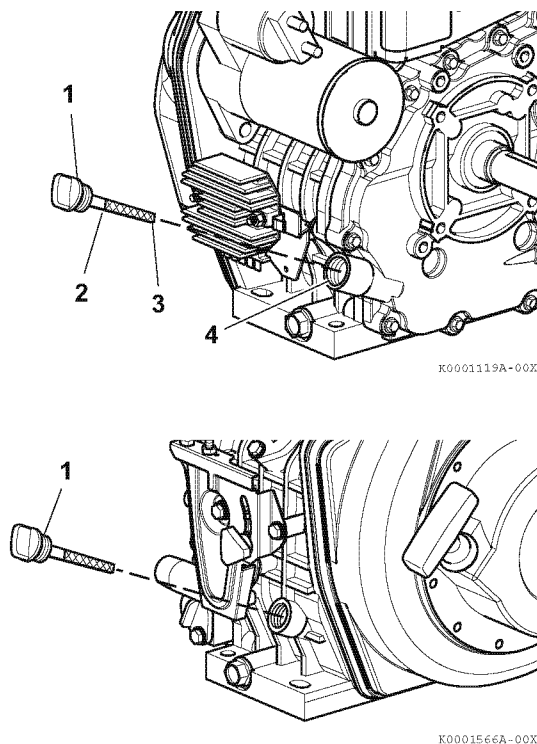


Figure 39

11. Warm up the engine by running it for five minutes and check for any engine oil leaks.

12. After engine is warm, shut it off and let it sit for 10 minutes.

13. Recheck the engine oil level by reinserting the oil cap/dipstick into the crankcase and turn clockwise for one-half revolution to engage the first thread in the crankcase opening. See *Checking Engine Oil* on page 29.

14. Add oil if necessary.

NOTICE

Always keep the oil level between the upper and lower lines on the oil cap/dipstick.

15. Replace the oil cap/dipstick and tighten by hand. Over-tightening may damage the cap. If any engine oil is spilled, wipe it away with a clean cloth.

■ Clean/inspect engine oil filter

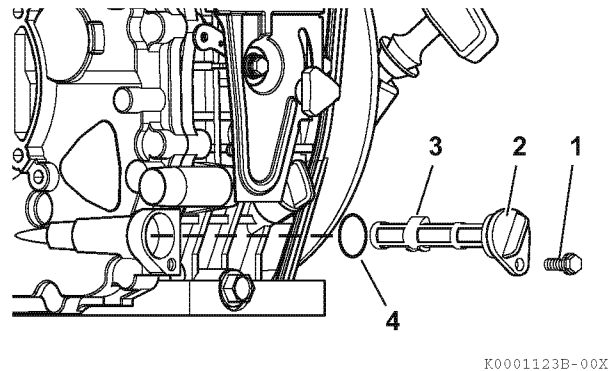


Figure 40

NOTICE

It is recommended that this procedure be performed at the same time as the *Replace engine oil* procedure on page 51.

1. Remove the oil filter retaining bolt (1, **Figure 40**).
2. Drain engine oil. See *Replace engine oil* on page 51.
3. Pull the oil filter cap (2, **Figure 40**) out and remove the oil filter (3, **Figure 40**).

4. Clean the oil filter in suitable parts cleaner or replace if damaged.
5. Lubricate the O-ring (4, **Figure 40**) with oil and reinstall the oil filter (3, **Figure 40**).

Applicable engine oil filter Part No.	
L70W and L100W	114250-35110

6. Make sure the oil filter cap (2, **Figure 40**) is fully seated.
7. Reinstall and tighten the oil filter retaining bolt (1, **Figure 40**).
8. Add new engine oil to the engine as specified in *Adding Engine Oil on page 29*.

NOTICE

Never overfill. Overfilling may result in white exhaust smoke, engine overspeed, or internal damage.

9. Warm up the engine by running it for five minutes and check for any engine oil leaks.
10. After engine is warm, shut it off and let it sit for 10 minutes.
11. Recheck the engine oil level by reinserting the oil cap/dipstick into the crankcase and turn clockwise for one-half revolution to engage the first thread in the crankcase opening. See *Checking Engine Oil on page 29*.
12. Add oil if necessary.

NOTICE

Always keep the oil level between the upper and lower lines on the oil cap/dipstick.

13. Replace the oil cap/dipstick (1, **Figure 39**) and tighten by hand. Over-tightening may damage the cap. If any engine oil is spilled, wipe it away with a clean cloth.

Every 50 Hours of Operation

Perform the following maintenance every 50 hours of operation.

- Clean inlet fuel screen
- Test GFCI outlet

■ Clean inlet fuel screen

CAUTION

Wipe up all spills immediately.

1. Clean the area around the fuel cap (1, **Figure 41**).
2. Remove the fuel cap from the fuel tank.

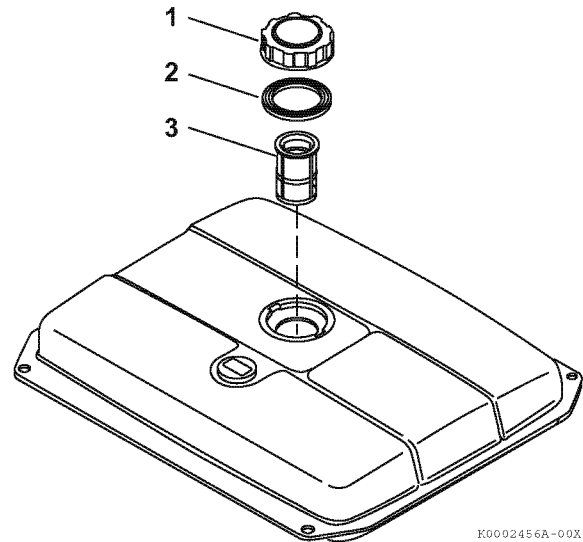


Figure 41

3. Lift out the inlet fuel screen (3, **Figure 41**).
4. Clean the inlet fuel screen using suitable parts cleaner or replace it if damaged.
5. Inspect fuel cap gasket (2, **Figure 41**) and replace if damaged.
6. Reinstall the inlet fuel screen.
7. Reinstall the fuel cap and hand-tighten. Over-tightening the fuel cap will damage it.

PERIODIC MAINTENANCE

■ Test GFCI outlet

1. To test the GFCI outlet press the TEST button (1, **Figure 42**).
2. The RESET button (2, **Figure 42**) should pop out. If the RESET button does not pop out, notify your YANMAR dealer or distributor. Do not use the generator until this condition is fixed.
3. To restore power, press the RESET button firmly until an audible click is heard. When reset properly, the RESET button is flush with the surface of the TEST button.
4. When both the TEST and RESET buttons are flush all power is restored to the outlets.

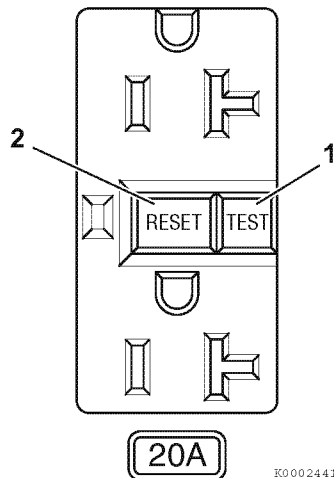


Figure 42

Every 200 Hours of Operation

Perform the following maintenance every 200 hours of operation.

- Clean air cleaner element
- Replace engine oil and clean/inspect engine oil filter
- Check engine speed control
- Drain the fuel tank and replace outlet fuel filter

■ Clean air cleaner element

NOTICE

- Engine performance is adversely affected when the air cleaner element is clogged with dust. Be sure to clean or replace the air cleaner element periodically.
- Avoid operating in extremely dusty conditions. When the engine is operated in dusty conditions, clean the air cleaner element more frequently. Never operate the engine with the air cleaner element(s) removed. This may cause foreign material to enter the engine and damage it.

⚠ CAUTION

- Avoid personal injury.
- Always wear eye protection when servicing the engine or when using compressed air or high pressure water.
- Dust, flying debris, compressed air, pressurized water or steam may injure your eyes.

The L70W and L100W model engines use a “dry” type air filter element. The air filter element is an open paper type element. This type of air filter element should be cleaned or replaced every 200 hours or earlier if found excessively dirty.

1. Remove the wing nut (1, **Figure 43**).
2. Remove the air cleaner cover (2, **Figure 43**).
3. Remove the wing nut (3, **Figure 43**).
4. Remove the air cleaner element (4, **Figure 43**) and outer foam element (5, **Figure 43**).
5. Blow air through both elements using 42 - 71 psi (0.29 - 0.49 MPa, 3.0 - 5.0 kgf/cm²) compressed air to remove any debris. Blow air from the inside to the outside of the filter element using the lowest possible air pressure to remove dust without damaging the elements.
6. Check the condition of the air filter element by shining a flashlight from the back of the air filter element. If light is not visible on the outside of the air filter element, replace the air filter element.

Air cleaner element Part No.	
L70W and L100W	114210-12590

7. If either element is damaged replace both of them. (They are not sold individually.)
8. Clean the inside of the air cleaner cover (2, **Figure 43**).

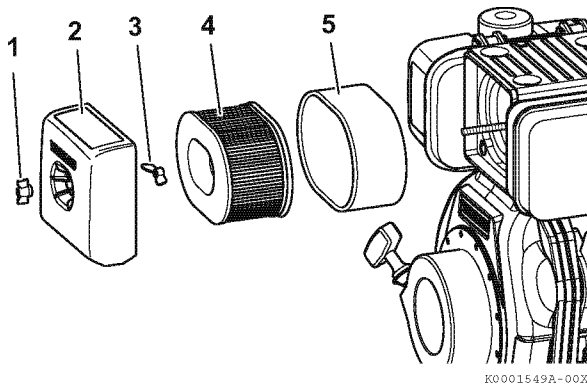


Figure 43

9. Reinstall the air cleaner element (4, **Figure 43**) into the air cleaner housing.
10. Slide the outer foam element (5, **Figure 43**) over the air cleaner element (4, **Figure 43**).
11. Reinstall the wing nut (3, **Figure 43**) and hand-tighten. Over-tightening the wing nut will damage the air cleaner assembly.
12. Reinstall the air cleaner cover (2, **Figure 43**).
13. Reinstall the wing nut (1, **Figure 43**) and hand-tighten. Over-tightening the wing nut will damage the air cleaner assembly.

■ Replace engine oil and clean/inspect engine oil filter

Change the engine oil every 200 hours of operation after the initial change at 50 hours. Clean and inspect the engine oil filter at the same time. See *Replace engine oil on page 51* and *Clean/inspect engine oil filter on page 52*.

■ Check and adjust engine speed control

After you operate the engine for 200 hours, check the engine speed control.

NOTICE

Never attempt to adjust the low or high idle speed limit screw. This may impair the safety and performance of the machine and shorten its life. If adjustment is ever required, contact your authorized YANMAR dealer or distributor.

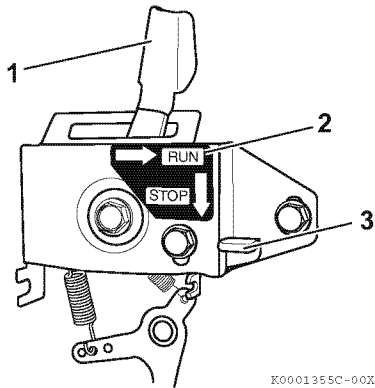
A constant speed control device is used on YDG generator sets, to govern the engine speed to a pre-set constant engine speed under various loads. When moved to the full throttle position, the speed control lever “locks” at full throttle.

Never force the throttle lever to move. This may deform the governor lever and cause irregular operation of the engine speed control.

NOTICE

Always run the engine at full speed. Never run engine at lower speeds. At full speed, the engine runs at 3600 min⁻¹ (rpm) under load. The engine must maintain 3600min⁻¹ (rpm) for generator to create correct voltage. Running engine at lower speeds will damage generator and powered items.

1. Check that the speed control lever (1, **Figure 44**) operates smoothly and locks into the full speed RUN position (2, **Figure 44**) when advanced and returns to the stop position when the stop lever (3, **Figure 44**) is actuated. If the speed control lever does not operate as indicated or adjustment is needed, see your authorized YANMAR dealer or distributor for service.



- 1 – Speed control lever
- 2 – RUN position
- 3 – Stop lever

Figure 44

■ Drain the fuel tank and replace outlet fuel filter

⚠ DANGER

- Always wipe up all spills immediately.
- Diesel fuel is flammable and explosive under certain conditions.
- Store any containers containing fuel in a well-ventilated area, away from any combustibles or sources of ignition.
- Wipe up all spills immediately and never use a shop rag to catch spilled fuel.

1. Position an approved container under the fuel tank to collect the fuel.
2. Remove the fuel cap (1, **Figure 45**).
3. Remove the fuel tank drain plug (8, **Figure 45**) and gasket (9, **Figure 45**) to drain the fuel. Inspect the gasket and replace if damaged.

NOTICE

- Always be environmentally responsible.
 - Follow the guidelines of the EPA or other governmental agencies for the proper disposal of hazardous materials such as engine oil, diesel fuel and engine coolant. Consult the local authorities or reclamation facility.
4. Remove clamps (2, **Figure 45**) and disconnect fuel supply (3, **Figure 45**) and return lines (4, **Figure 45**).
 5. Remove the fuel tank mounting bolts and remove the fuel tank from the generator frame.
 6. Remove the three fuel filter nuts (5, **Figure 45**) and pull the fuel filter (6, **Figure 45**) out through bottom of the tank.

Every 400 Hours of Operation

Perform the following maintenance every 400 hours of operation.

- **Adjust intake and exhaust valve clearance**
- **Check brushes for wear or damage**
- **Check slip rings for wear or damage**
- **Check coils and Automatic Voltage Regulator (AVR) for correct operation**
- **Check main and sub-frames for damage**
- **Check all fasteners for damage and tightness**

■ **Adjust intake and exhaust valve clearance**

Proper adjustment is necessary to maintain the correct timing for opening and closing the valves. Improper adjustment will cause the engine to run noisily, resulting in poor engine performance and engine damage. See your authorized YANMAR dealer or distributor for this service.

■ **Check brushes for wear or damage**

Check the generator brushes for wear and damage. Generator brushes wear with normal use of the generator over time. It is important to check the condition of the brushes to ensure generator performance is maintained at an optimum. See your authorized YANMAR dealer or distributor for this service.

■ **Check slip rings for wear or damage**

Check the generator slip rings for wear and damage. Generator slip rings wear with normal use of the generator over time. It is important to check the condition of the slip rings to ensure generator performance is maintained at an optimum. See your authorized YANMAR dealer or distributor for this service.

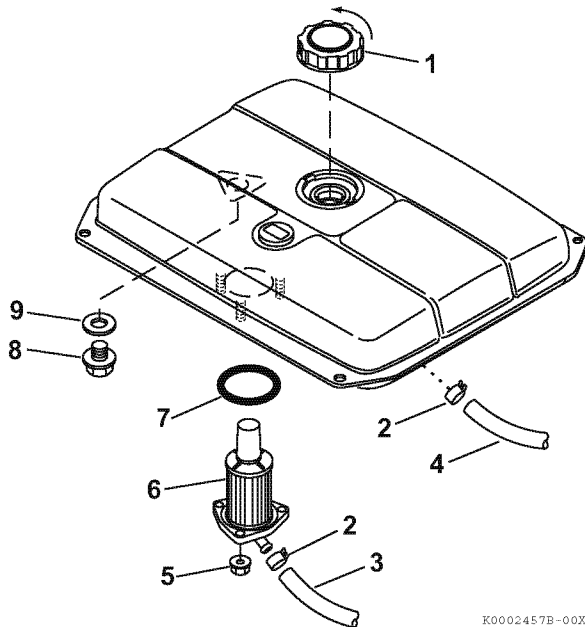


Figure 45

7. Install a new filter into the tank using a new O-ring (7, **Figure 45**).
8. Reinstall the three fuel filter nuts and tighten securely.
9. Reinstall the drain plug and gasket.
10. Reinstall the fuel tank into the generator frame and secure with mounting bolts.
11. Reconnect the fuel supply and return lines to the tank with clamps.
12. Fill the fuel tank with fuel and inspect for leaks. Repair or replace components as necessary.

PERIODIC MAINTENANCE

■ Check coils and Automatic Voltage Regulator (AVR) for correct operation

Check the generator coils and AVR for correct operation and output. It is important to check the condition of the generator coils and AVR to ensure generator performance is maintained at an optimum. See your authorized YANMAR dealer or distributor for this service.

■ Check main and sub-frames for damage

Check the main frame and sub-frames for damage. The main and sub-frames are the structural support for the engine, generator, fuel tank and all other generator controls and components. Any damage to the frames, including corrosion may compromise the structural integrity of the frame and should be repaired or replaced to avoid costly repairs and/or personal injury. See your authorized YANMAR dealer or distributor for service and replacement parts.

■ Check all fasteners for damage and tightness

Check all fasteners used on the generator set. All fasteners should be properly installed and tightened to the specified value given in the YDG Service Manual. See your authorized YANMAR dealer or distributor for service and replacement parts.

Every 1000 Hours of Operation

Perform the following maintenance every 1000 hours of operation.

- Check compression
- Check engine/frame dampers for wear, damage and tightness

■ Check compression

An engine compression check is required every 1000 hours to obtain optimum engine performance. See your authorized YANMAR dealer or distributor for this service.

■ Check engine/frame dampers for wear, damage and tightness

Inspect all frame components for damage and repair or replace as required.

The damper mount butyl rubber has excellent shock absorption performance. Prevent contamination of the damper with diesel oil or gasoline as much as possible during operation, to prevent deterioration of the rubber damper. See your authorized YANMAR dealer or distributor for service and replacement parts.

1. Check for separation at rubber baked portion (1, **Figure 46**).
2. Check the damper rubber material (2, **Figure 46**) for cracks and deformation. Replace the damper if cracked or deformed.

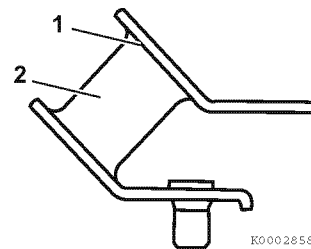


Figure 46

Every 1500 Hours of Operation

Perform the following maintenance every 1500 hours of operation.

- **Inspect, clean and test fuel injection nozzle**

■ **Inspect, clean and test fuel injection nozzle**

Proper operation of the fuel injectors is required to obtain the optimum injection pattern for full engine performance. The EPA/ARB requires that you have the injectors inspected, cleaned and tested every 1500 hours. See your authorized YANMAR dealer or distributor for this service.

Every 2000 Hours of Operation

Perform the following maintenance every 2000 hours of operation.

- **Check and replace fuel hoses**

■ **Check and replace fuel hoses**

Regularly check the fuel system hoses. If they are cracked or degraded, replace them. Replace rubberized fuel hoses every two years or every 2000 hours of engine operation, whichever comes first, even if the engine has been out of service. Rubberized fuel lines tend to dry out and become brittle after two years or 2000 hours of engine operation, whichever comes first.

This Page Intentionally Left Blank

TROUBLESHOOTING

TROUBLESHOOTING INFORMATION

If your generator does not operate properly, refer to the *TROUBLESHOOTING CHART* on page 62 or see your authorized YANMAR dealer or distributor.

Provide the authorized YANMAR dealer or distributor with the following information:

1. Model name and serial number of your generator.
The YDG generator set model and serial number information label is located inside the top front frame rail. *See Generator Set Label on page 13.*
2. Model name and serial number of your engine.
The engine nameplate is located on the cooling shroud on the PTO side of engine above the starter. *See Engine Nameplate on page 14.*
3. How long the generator has been in service (the number of generator hours or the number of calendar months).
4. Operating conditions when problem occurs:
 - Load on engine
 - Color of exhaust smoke
 - Type of diesel fuel
 - Type of engine oil
 - Any abnormal noises or vibration
 - Operating environment such as high altitude or extreme ambient temperatures
5. Maintenance history and previous problems.
6. Other factors that contribute to the problem.

TROUBLESHOOTING

TROUBLESHOOTING CHART

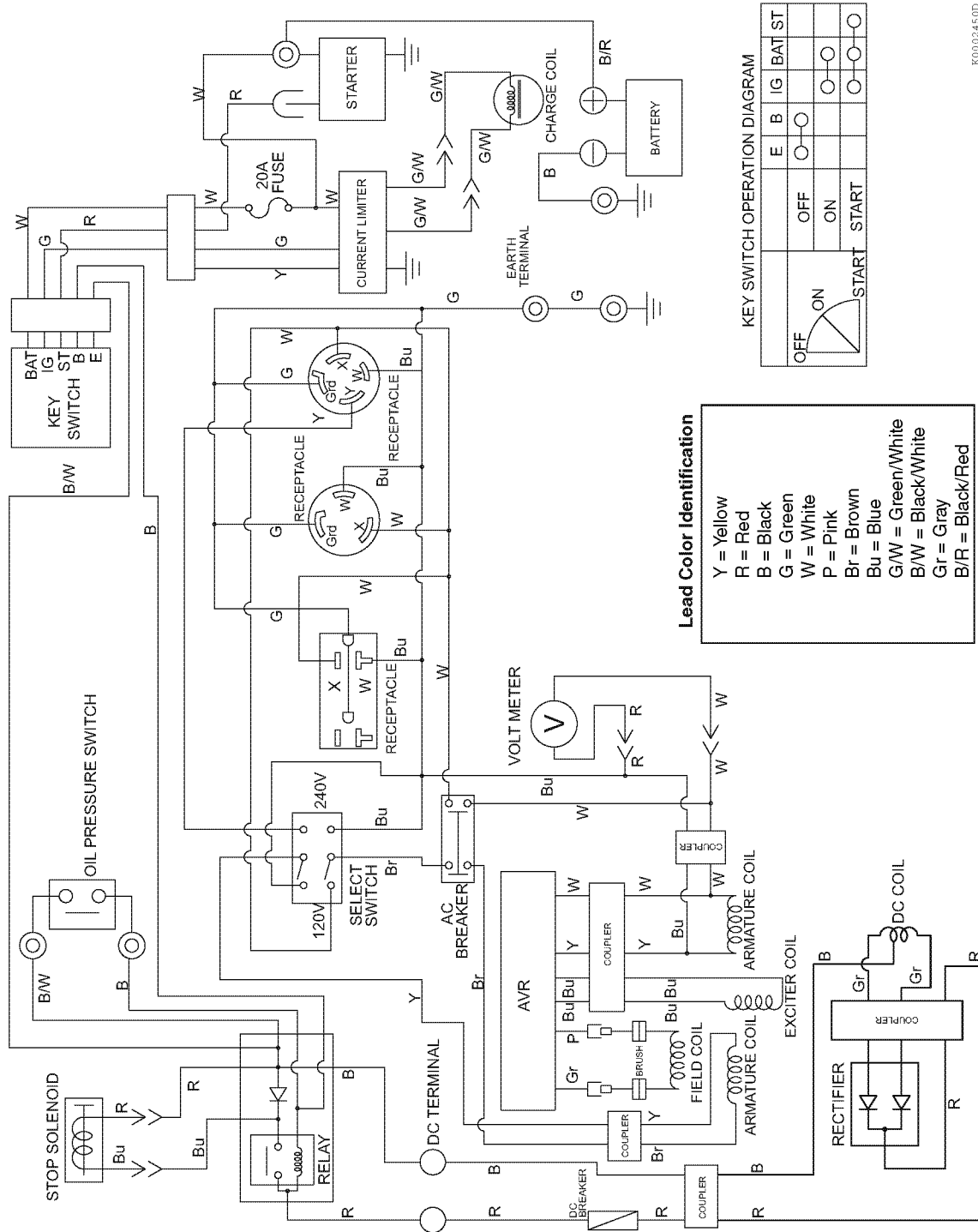
If a problem occurs, stop the engine immediately. Refer to the symptom column in the chart below to identify the problem.

Symptom	Probable cause	Action	Refer to
Engine does not start			
Starter motor operates but engine does not start	No diesel fuel	Refuel fuel system	<i>Filling the Fuel Tank on page 27</i>
	Engine control lever not in the RUN position	Move engine control lever to the RUN position	–
	Engine oil level low	Check and fill oil to proper level	–
	Improper diesel fuel	Replace with recommended diesel fuel	<i>Diesel Fuel Specifications on page 26</i>
	Clogged engine oil filter	Replace engine oil filter	–
	Clogged fuel filter	Replace fuel filter	<i>Drain the fuel tank and replace outlet fuel filter on page 56</i>
	Poor fuel injection	See authorized YANMAR dealer or distributor	–
	Compressed air leakage from intake/exhaust valves		–
	Faulty engine stop solenoid		–
Engine starts with recoil starter but then stops	Key switch not in the ON position	Turn key to the ON position	–
Starter motor does not operate or rotates too slowly (engine can be turned manually)	Battery needs charging	Check electrolyte, recharge	<i>BATTERY on page 22</i>
	Faulty cable connection at battery terminals	Clean terminals, retighten	<i>Disconnecting and Connecting Battery Cables on page 25</i>
	Faulty starter switch	See authorized YANMAR dealer or distributor	–
	Faulty starter motor		–
Engine cannot be turned manually	Inner parts seized or damaged		–

Symptom	Probable cause	Action	Refer to
White or black exhaust smoke			
Black exhaust smoke	Engine overloaded	Reduce load	–
	Clogged air cleaner element	Clean element or replace	<i>Clean air cleaner element on page 54</i>
	Improper diesel fuel	Replace with recommended diesel fuel	<i>Diesel Fuel Specifications on page 26</i>
	Faulty spraying of fuel injection	See authorized YANMAR dealer or distributor	–
	Excessive intake/exhaust valve clearance		–
White exhaust smoke	Improper diesel fuel	Replace with recommended diesel fuel	<i>Diesel Fuel Specifications on page 26</i>
	Faulty spray pattern of fuel injection	See authorized YANMAR dealer or distributor	–
	Fuel injection timing delay		–
	Engine burning oil		–
Generator			
No electricity generated	Main switch is off	Turn main switch on	<i>GENERATOR CHECK on page 30</i>
	GFCI unit is tripped	Disconnect all equipment then reset the GFCI unit	<i>Test GFCI outlet on page 54</i>
	Equipment incorrectly connected to generator	Connect the equipment correctly	–
	Defective capacitor	See authorized YANMAR dealer or distributor	–
	Winding short circuited or loose connections		–
	Electrical load too high		Reduce electrical load
	Loss of residual magnetism	See authorized YANMAR dealer or distributor	–
	Engine speed too low		–
	Clogged spark arrester	Clean arrester	<i>Check spark arrester on page 49</i>
	Defective rotor diode	See authorized YANMAR dealer or distributor	–
	Defective stator		–
	Defective rotor		–
	Engine not running properly		–

ELECTRICAL WIRING DIAGRAM

YDG3700W-6EI, YDG5500W-6EI



EC0002450D

Figure 47

LONG-TERM STORAGE

INTRODUCTION

This section of the Operation Manual describes the procedures necessary to place the generator into long-term storage (three months or longer) and how to prepare it for operation.

LONG-TERM STORAGE

BEFORE YOU PLACE THE GENERATOR IN LONG-TERM STORAGE

1. Perform the next periodic maintenance procedure. For example, if there are 10 hours remaining before the 200 hour maintenance, you should do the maintenance before you place the engine in storage. *See PERIODIC MAINTENANCE SCHEDULE on page 47.*
2. Start the engine. Allow the engine to run without load for approximately five minutes and then stop the engine.
3. Drain the engine oil while the engine is still warm and fill with new oil. *See Replace engine oil on page 51.*
4. Push the decompression lever down and hold it while slowly pulling the recoil starter two or three times. Do not start the engine.
5. Pull the decompression lever up. Pull the recoil starter slowly and stop when there is resistance. This procedure closes the intake and exhaust valves in the compression position and helps prevent rust.
6. Allow the engine to completely cool then drain the fuel tank or fill it completely.
7. Protect the air cleaner, muffler and electrical components (dynamo, starter motor, switches) from water and dust.
8. Disconnect the negative (-) battery cable to prevent the battery from discharging.
9. Check the battery fluid and add distilled water as required. *See Check Battery Electrolyte Level on page 34.*
10. Charge the battery once a month during storage. *See Charging the Battery on page 24.*
11. Clean the generator and store it in a dry place.

NOTICE

Always protect the air cleaner and electric components from damage when you use steam or high pressure water to clean the generator.

RETURNING THE ENGINE TO SERVICE

DANGER

- **Avoid personal injury.**
 - **Always wear eye protection when checking for fuel leaks and never check for a fuel leak with your hands.**
 - **Always use a piece of wood or cardboard. Have your authorized YANMAR dealer or distributor repair the damage.**
-
1. Perform the *DAILY CHECKS* on page 34.
 2. Start the engine. Allow the engine to run without load for approximately 5 to 10 minutes while you check for:
 - abnormal noises or vibration
 - fuel and engine oil leaks
 3. Avoid prolonged operation at maximum load for the remainder of the first hour of operation.

SPECIFICATIONS

PRINCIPAL SPECIFICATIONS

Generator

Model		YDG3700W-6EI	YDG5500W-6EI	
Generator	Type	Revolving field-type AC generator (with brush)		
	Excitation	Self-excited		
	Voltage regulation	Automatic Voltage Regulator (AVR)		
	Frequency	60 Hz		
	Maximum speed	3600 min ⁻¹ (rpm)		
	Rated output		3.5 AC kVA	5.0 AC kVA
			12 VDC - 8.3 A	
	Rated voltage	120/240 VAC		
	Rated current	29.2/14.6 A	41.7/20.8 A	
	Power factor	1.0		
	Phase	Single-phase		
	No. of poles	2		
	Type of insulation	E-class		
	Bearing system	Ball bearing (Grease-enclosed)		
	Output terminal	AC	125 V - 20 A (GFCI) × 2 125 V - 30 A (Twist lock) × 1 (3 - pin) 125/250 V - 20 A (Twist lock) × 1 (4 - pin)	
		DC	Terminal × 1	
Breaker	AC	16 A (NFB)	22 A (NFB)	
	DC	12 A (Thermal breaker)		
Voltmeter	AC120/240 V			
Emergency stop system	Engine stop device by low level oil sensor			
Generator unit	Dimension	L	26.8 in. (680 mm)	28.3 in. (720 mm)
		W	18.9 in. (480 mm)	18.8 in. (480 mm)
		H	23.8 in. (605 mm)	24.9 in. (633 mm)
	Fuel tank capacity	13.7 qt (13 L)		
Dry weight		187 lb. (85 mm)	249 lb. (113 mm)	

SPECIFICATIONS

Engine

Engine model		L70W	L100W
Type		4-stroke, vertical cylinder, air-cooled diesel engine	
Combustion system		Direct injection	
No. of cylinders		1	
Bore x stroke		3.07 x 2.64 in. (78 x 67 mm)	3.39 x 2.95 in. (86 x 75 mm)
Displacement		19.5 cu in. (0.320 L)	26.5 cu in. (0.435 L)
Compression ratio		21.1	21.2
Continuous rated output	min ⁻¹ (rpm)	3600	3600
	hp SAE	5.8	8.3
	kW	4.3	6.2
	PS	5.9	8.4
Max. rated output (net)	min ⁻¹ (rpm)	3600	3600
	hp SAE	6.4	9.1
	kW	4.8	6.8
	PS	6.5	9.3
High idling	min ⁻¹ (rpm)	3800 ± 30	3800 ± 30
Fuel injection timing	BTDC by FIC (A)	14°	16.5°
Valve clearance		0.006 ± 0.002 in. (0.15 ± 0.05 mm)	
PTO position		Crankshaft	
Direction of rotation		Counterclockwise viewed from PTO side	
Fuel injection pump		BOSCH-type, with upper lead plunger	
Fuel injection nozzle		P-size, VCO	
Valve opening pressure		19.6 MPa (200 kgf/cm ²)	
Fuel selection		<i>See DIESEL FUEL on page 26</i>	
Fuel filter		Paper element, fuel tank built-in type	
Governor		All speed type, mechanical	
Balancer shaft		Single shaft	
Engine weight (dry)	with electric start	92 lb (42 kg)	115 lb (52.5 kg)
Cooling system		Forced air by flywheel fan	
Lubricating system		Forced lubrication with trochoid pump splash lubrication for valve rocker arm chamber	
Oil selection		<i>See ENGINE OIL on page 28.</i>	
Oil filter		Resin, 60 mesh	
Permissible angle of inclination		20° (momentary 30°)	
Air cleaner		Dry-type paper element filter	
Muffler		Expansion silencer with cover	

Engine model			L70W		L100W	
Starting system			Electric start/Recoil start			
Engine oil pan capacity		Dipstick upper limit	1.16 qt (1.1 L)		1.7 qt (1.6 L)	
		Dipstick lower limit	0.74 qt (0.7 L)		1.06 qt (1.0 L)	
Battery capacity (recommended)	Ambient temp. usage by model	-10 °C (14 °F) or higher	135 CCA 24 Ah	170 CCA 30 Ah	200 CCA 35 Ah	225 CCA 40 Ah
		-30 °C (-22 °F) or higher	200 CCA 35 Ah	225 CCA 40 Ah	250 CCA 45 Ah	

Note:

1. The information described in Engine on page 68 is for a “standard” engine. To obtain the information for the engine installed in your driven machine, please refer to the manual provided by the driven machine manufacturer.
2. Engine rating conditions are as follows (SAE J1349, ISO 3046/1):
 - Atmospheric condition: Room temperature 77 °F (25 °C), atmospheric pressure 29.53 in.Hg (100 kPa, 750 mmHg), relative humidity 30 %
 - Fuel temperature at fuel injector pump inlet: 104 °F (40 °C)
 - With cooling fan, air cleaner, muffler: YANMAR standard
 - After engine break-in period. Output allowable deviation: ± 3 %
 - 1 PS = 0.7355 kW
 - 1 hp SAE (Society of Automotive Engineers) = 0.7457 kW

This Page Intentionally Left Blank

YANMAR

YANMAR ENERGY SYSTEM CO., LTD.

Umeda Gate Tower

1-9, Tsurunocho, Kita-ku, Osaka, Japan

Yanmar America Corporation

101 International Parkway
Adairsville, GA 30103, U.S.A.

TEL: +1-770-877-9894 FAX: +1-770-877-9009
<https://www.yanmar.com/us/>

Yanmar Europe B.V.

Brugplein11, 1332 BS Almere -de Vaart
The Netherlands.

TEL: +31-36-5493200 FAX: +31-36-5493209
<https://www.yanmar.com/eu/>

Yanmar Asia (Singapore) Corporation Pte Ltd.

4 Tuas Lane, Singapore 638613

TEL: +65-6861-3855 FAX: +65-6862-5189
<https://www.yanmar.com/sg/>

Yanmar Engine (Shanghai) Corporation Ltd.

10F, E-Block Poly Plaza, No.18 Dongfang Road
Pudong Shanghai, China P.R.C. 200120

TEL: +86-21-6880-5090 FAX: +86-21-6880-8682
<http://www.yanmar-china.com/cn/>

Yanmar South America Industria De Maquinas Ltda.

Av. Presidente Vargas 1400, Indaiatuba, S.P., Brazil, CEP: 13338-901

TEL: +55-19-3801-9224 FAX: +55-19-3875-3899, 2241
<https://www.yanmar.com/br/>

As of July 27, 2016

OPERATION MANUAL

YDG3700W-6EI, YDG5500W-6EI

1st edition: September 2005

2nd edition: March 2007

3rd edition: August 2016

3rd edition 1st rev.: October 2016

Issued by: YANMAR ENERGY SYSTEM CO., LTD.

Edited by: YANMAR TECHNICAL SERVICE CO., LTD.



DIESEL GENERATOR

YANMAR

YANMAR ENERGY SYSTEM CO., LTD.

<https://www.yanmar.com/global/>

0AYDG-EN0092
PRINTED IN JAPAN