



MICROSET[®]

33077 SACILE (Pordenone) Italy
Via A. Peruch, 64 - Tel. 0434/72459 r.a.
Fax 0434/72450

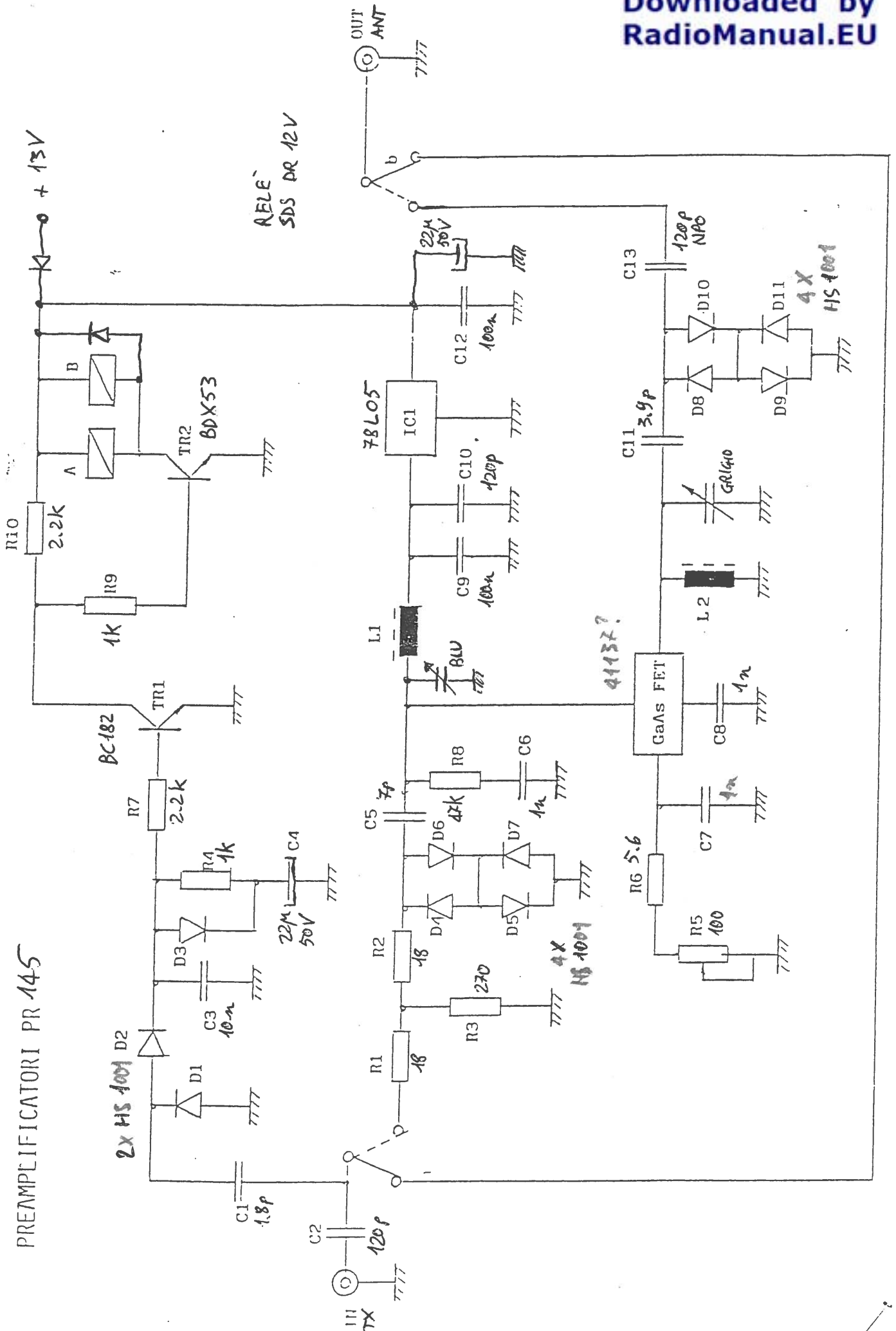
**Downloaded by
RadioManual.EU**

PREAMPLIFICATORE GaAS FET Mod. PR 145

GaAS FET PRE-AMPLIFIER Mod. PR 145

- Gamma di frequenza: 144-148 MHz entro 0.5 dB.
Frequency range: 144-148 MHz in 0.5 dB.
- Cifra di rumore: 0.6 - 0.9 dB.
Noise: 0.6 - 0.9 dB.
- Guadagno: 20dB centro banda.
Gain: 20dB.
- Alimentazione: 13.5V DC.
Power supply: 13.5V DC.
- Assorbimento: 50mA max.
Absorption: 50mA max.
- Commutazione ricezione-trasmissione automatica con relè.
Automatic receive-transmission by relay.
- Potenza transitabile: 100W max, a richiesta 500W.
By-pass power: 100W max, on request 500W.
- Senza alimentazione il preamplificatore viene bypassato.
Without power supply the pre-amplifier is by-passed.
- Connettori SO 239.
SO 239 connectors.
- Contenitore da palo tenuta stagna.
Waterproof box.
- Dimensioni mm. 76x126x86.
Size mm. 76x126x86.
- Peso gr. 430.
Weight gr. 430.

PREAMPLIFICATORI PR 145



AELE
SDS DR 12V

4143Z?

4X
HS 1001

4X
HS 1001

2X HS 1001 D2

6DX53

BC182

GaAs FET

78L05

L1

C11 3.9p

C13 120p NPO

C12 22μ 50V

C9 100n

C10 120p

C8 4n

C7 4n

C6 1μ

C5 7p

C4 22μ 50V

C3 10n

C1 1.8p

OUT ANT

R10 2.2k

R9 1k

R7 2.2k

R4 4k

R3 270

R2 18

R1 18

R5 100

R6 5.6

R8 42k

R10 2.2k

R9 1k

R7 2.2k

R4 4k

R3 270

R2 18

R1 18

R5 100

R6 5.6

R8 42k

R10 2.2k

R9 1k

R7 2.2k

R4 4k

R3 270

R2 18

R1 18

R5 100

R6 5.6

R8 42k

R10 2.2k

R9 1k

R7 2.2k

R4 4k

R3 270

R2 18

R1 18

R5 100

R6 5.6

R8 42k

R10 2.2k

R9 1k

R7 2.2k

R4 4k

R3 270

R2 18

R1 18

R5 100

R6 5.6

R8 42k

R10 2.2k

R9 1k

R7 2.2k

R4 4k

R3 270

R2 18

R1 18

R5 100

R6 5.6

R8 42k

R10 2.2k

R9 1k

R7 2.2k

R4 4k

R3 270

R2 18

R1 18

R5 100

R6 5.6

R8 42k

R10 2.2k

R9 1k

R7 2.2k

R4 4k

R3 270

R2 18

R1 18

R5 100

R6 5.6

R8 42k

R10 2.2k

R9 1k

R7 2.2k

R4 4k

R3 270

R2 18

R1 18

R5 100

R6 5.6

R8 42k

R10 2.2k

R9 1k

R7 2.2k

R4 4k

R3 270

R2 18

R1 18

R5 100

R6 5.6

R8 42k

R10 2.2k

R9 1k

R7 2.2k

R4 4k

R3 270

R2 18

R1 18

R5 100

R6 5.6

R8 42k

R10 2.2k

R9 1k

R7 2.2k

R4 4k

R3 270

R2 18

R1 18

R5 100

R6 5.6

R8 42k

R10 2.2k

R9 1k

R7 2.2k

R4 4k

R3 270

R2 18

R1 18

R5 100

R6 5.6

R8 42k

R10 2.2k

R9 1k

R7 2.2k

R4 4k

R3 270

R2 18

R1 18

R5 100

R6 5.6

R8 42k

R10 2.2k

R9 1k

R7 2.2k

R4 4k

R3 270

R2 18

R1 18

R5 100

R6 5.6

R8 42k

R10 2.2k

R9 1k

R7 2.2k

R4 4k

R3 270

R2 18

R1 18

R5 100

R6 5.6