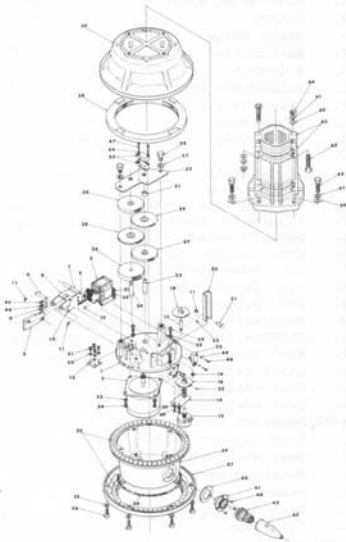


PARTS LIST :

1. Gear Mount Plate #1.
2. Motor.
3. Brake Wedge.
4. Switch Arm.
5. Solenoid.
6. Retracting Spring.
7. Solenoid Pin.
8. Brake Wedge Cover.
9. Brake Wedge Support Pin.
10. Spring.
11. 4 ϕ "E" Ring.
12. 3 ϕ "E" Ring.
13. Wedge Holder Plate .
14. Insulation Sheet.
15. Potentiometer.
16. Pot. Divider Gear #1.
17. Pot. Gear Shaft.
18. Pot. Divider Gear #2.
19. Pot. Pinion.
20. Revolution Stopper.
21. Stopper Pin.
22. M3-5 Stopper Screw.
23. Limit Switch.
24. Gear Shaft #1.
25. Gear Shaft #2.
- 26-30. Rotation Gear Ass'y.
31. Stud Support Sleeve.
32. Gear Mount Plate #2.
33. Rotation Switch.
34. Case.
35. Ball Bearing.
36. "O" Ring.
- 37,39. Housing.
38. Internal Gear.
40. Rubber Sheet for Socket.

41. Socket.
42. Plug.
43. Mast Clamp.
44. 3 ϕ Spring Washer.
45. M3-6 Screw.
46. M3-15 Screw.
47. M3-25 Screw.
48. Tapping Screw 3 ϕ x12.
49. M4-8 Screw.
50. Spring Washer.
51. M4-8 Screw.
52. Lock Washer.
53. 5 ϕ Spring Washer.
54. M5-16 Screw.
55. 5 ϕ Spring Washer.
56. M6-20 Hex. Hd. Screw
57. 8 ϕ Spring Washer.
58. M8-12 Bolt.
- 59,60. 8 ϕ Washer.
61. 8 ϕ Spring Washer.
62. M8-30 Hex. Hd. Screw.
63. M8-60 Hed. Hd. Screw.
64. M8 Hex. Hd. Nut.
65. Socket Cap.

MODEL KR-2000 ROTOR

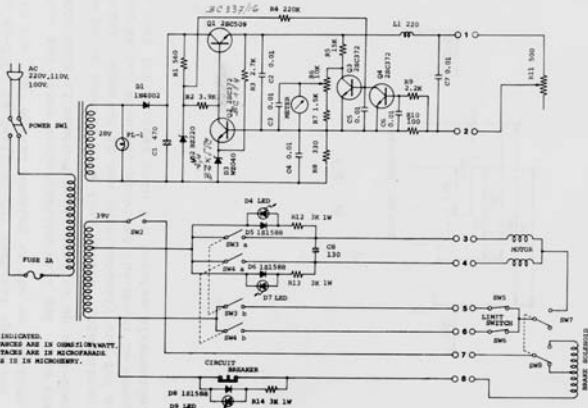


PARTS NUMBER AND LOCATION

SEE THAT SHOW NUMBERS ARE WHEN REPLACEMENT IN CASE

Handwritten notes:
 Part - n - replace
 Part - o - clean
 Part - o - note
 Part - o - replace

KR 2000 SCHEMATIC DIAGRAM



EXCEPT AS INDICATED,
ALL RESISTANCES ARE IN OHMS, KILOHMS, OR WATT.
ALL CAPACITANCES ARE IN MICROFARADS.
INDUCTANCES IS IN MICROHENRY.