

TECHNICAL SPECIFICATIONS

FULTON MODEL NUMBER	CAPACITY RATING (*1)		GEAR RATIO	MAXIMUM MECHANICAL ADVANTAGE (*2)	HANDLE LENGTH	HUB SIZE	DRUM STORAGE (*3)
	1st LAYER LBS. (kN)	FULL DRUM LBS. (kN)					
K2550	2500 (11.1)	1500 (6.7)	15.8:1	64:1	11"	3-1/8"	70' x 5/16" Cable (Max. 4 layers)

- *1 - Capacity Rating - Based on direct line pull on first layer of line on the drum. Capacity is reduced as layers of line builds up on the drum.
 *2 - Maximum Mechanical Advantage - Based on first layer of recommended line on the drum. For maximum efficiency use only the amount of line required.
 *3 - Breaking strength of cable must be greater than 7,756 lbs (34,5 kN).

OPERATING INSTRUCTIONS

Turning the handle counter-clockwise actuates the brake. The brake system is designed to hold the load whenever the handle is released.

TO PULL CABLE IN OR RAISE LOAD

- 1) The cable must be securely fastened to the object being lifted and to the winch drum.
- 2) Always be sure that the cable and cable attachments are not damaged and are strong enough for the load. Assure there is adequate safety factor, of at least three times the maximum load for all components used.
- 3) Referring to the "Cable In/Cable Out" decal on the winch, turn the handle clockwise to lift. The ratchet MUST make a loud clicking sound.

TO LET CABLE OUT OR LOWER LOAD

- 1) Referring to the "Cable In/Cable Out" decal on the winch, turn the handle counter-clockwise to lower. No clicking will be heard because the brake system is activated.

MAINTENANCE

Do not get oil or grease on the friction disks. This could allow the load to slip or fall.

- 1) Maintain a film of automotive type grease on all gear teeth and to the O.D. of drum bearing, item # 31, at all times.
- 2) Keep ratchet pawl pivot, bushings and pinion threads lubricated with automotive engine oil at all times.
- 3) Check brake friction disks for wear. If less than 1/16" thick, cracked, or broken, they must be replaced.
- 4) During each usage, check for proper ratchet operation. When cranking cable in, a loud clicking sound must be heard from the ratchet. If a loud clicking sound is not heard, do not use and replace damaged components immediately. When cranking cable out, there is no clicking and the ratchet pawl must be fully engaged into the ratchet gear teeth.
- 5) Before each usage, inspect fasteners for proper tightness.

LIMITED THREE YEAR WARRANTY

Warranty. Fulton Performance Products, Inc. ("We") warrants to the original consumer purchaser ("You") that the product will be free from defects in material and workmanship for a period of three years under normal use and service, ordinary wear and tear excepted. If the product does not comply with this warranty, We will replace the product without charge to You and within a reasonable time or, at Fulton's option, refund the purchase price. This warranty is not transferable.

Limitations on the Warranty. The warranty does not cover the following: (a) normal wear and tear; (b) damage through abuse, neglect, misuse, or as a result of any accident or in any other manner; (c) damage from misapplication, overloading, or improperly installed; (d) improper maintenance; (e) a product altered in any manner by anyone other than us.

Obligations of Purchaser. To make a claim, contact us at 50 Indianhead Drive, Mosinee, WI, (715) 693-1700, identify the product, and follow the instructions that will be provided. Any returned product that is replaced or refunded becomes the property of Fulton. You will be responsible for shipping costs to us. Please retain your purchase receipt to verify date of purchase. This must be produced to honor warranty claim.

Remedy Limits. Repair or replacement is the purchaser's sole remedy under this or any other warranty on the product, whether express or implied. We shall not be liable for service or labor charges incurred in removing or replacing a product or any incidental or consequential damages of any kind. We expressly disclaim any implied warranty of merchantability or fitness for particular purpose after the three-year warranty period. Some states do not allow the exclusion of incidental or consequential damages or limitation of an implied warranty so the above exclusion and limitation may not apply to you.

Legal Rights. This warranty gives you specific legal rights, and You also may have other rights which vary from state to state. **ANY IMPLIED WARRANTY OF MERCHANTABILITY OR FITNESS FOR A PARTICULAR PURPOSE ON ANY PRODUCT SHALL BE LIMITED TO THREE YEARS FROM THE DATE OF RETAIL PURCHASE BY YOU.** Some states do not allow limitations on how long an implied warranty lasts, so the above limitation may not apply to You.

This warranty is governed by the laws of the United States of America and is void where prohibited.

FULTON
Performance Products, Inc.

50 Indianhead Dr., P.O. Box 8 Mosinee, WI 54455-0008
 800/604-9466 715/693-1700 Fax 715/693-1799
 www.fultonperformance.com
 fulton@fultonperformance.com

F1849CE (A-7939) 3/02

FULTON

Performance Products

K2550 Work Winch Owner's Manual

READ, UNDERSTAND, AND SAVE THESE INSTRUCTIONS

⚠ WARNING ⚠

- Read, understand and follow all instructions before installing and/or using product. NEVER allow anyone unfamiliar with the operating instructions to use this product.
- Read, understand and follow all instructions provided by the manufacturer of the product(s) that this winch will be installed on.
- Installation, use and maintenance of these Fulton winches must conform to the following instructions only. Fulton cannot be held liable for improper installation, use, or maintenance of this product.
- Do not get oil or grease on the friction disks. This could allow the load to slip or fall.
- Obey crank rotation decal and operating instructions. Disregard could cause bodily harm or property damage and/or death.
- DO NOT use this winch as a human hoist. NEVER allow anyone to be positioned on, around or under the load being lifted or moved.
- Never exceed the maximum rated capacities.
- Always inspect the cable and hook before each use to make sure that they are not damaged. If the cable or hook breaks, the cable will whip violently and can inflict serious injury and/or property damage.
- Never use worn, kinked, or frayed cable. Replace the cable immediately.
- Always maintain a minimum of three complete wraps of cable on the drum.
- The cable on the winch must be strong enough to support the load to be moved.
- A loud clicking sound from the ratchet must be heard when lifting the load. If a loud clicking sound is not heard do not use and replace ratchet components immediately.
- Never release the crank handle unless the ratchet pawl is fully engaged and the load is supported.
- Never operate with slippery, wet or oily hands and always maintain a firm grip on the winch handle.
- Never leave a weight hanging from the winch while the winch is unattended, as another person may attempt to operate the winch, thereby creating an unsafe condition.
- Failure to follow these warnings and instructions will result in property damage, serious bodily injury and/or death.

MOUNTING INSTRUCTIONS

- 1) Assemble handle onto input shaft end. Tighten the 1/2-13 locknut against handle. Note: Do not remove or adjust the locknut on the opposite end of input shaft. They are an important part of the braking system and must be intact. See Fig.1.
- 2) Mount the winch to a structure capable of supporting at least 5 times the load the winch will be pulling.

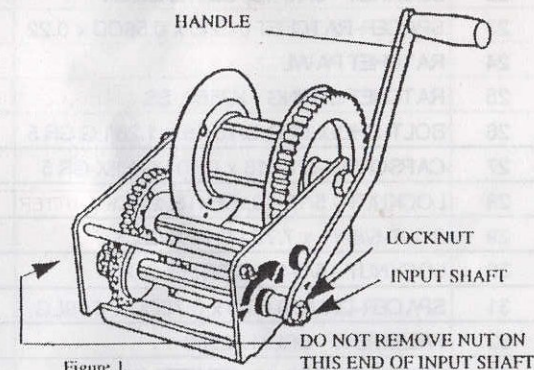


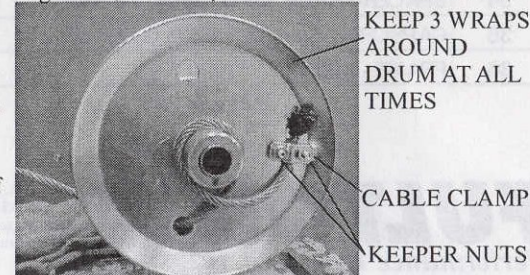
Figure 1

- Note: When bolting the winch down, use three grade 5, 3/8 diameter bolts, flat washers and locknuts (not supplied).
- Note: Always use outer most slots at the end opposite the direction of line pull. Use large flat washer if using center slot at opposite end.

CABLE ATTACHMENT TO DRUM

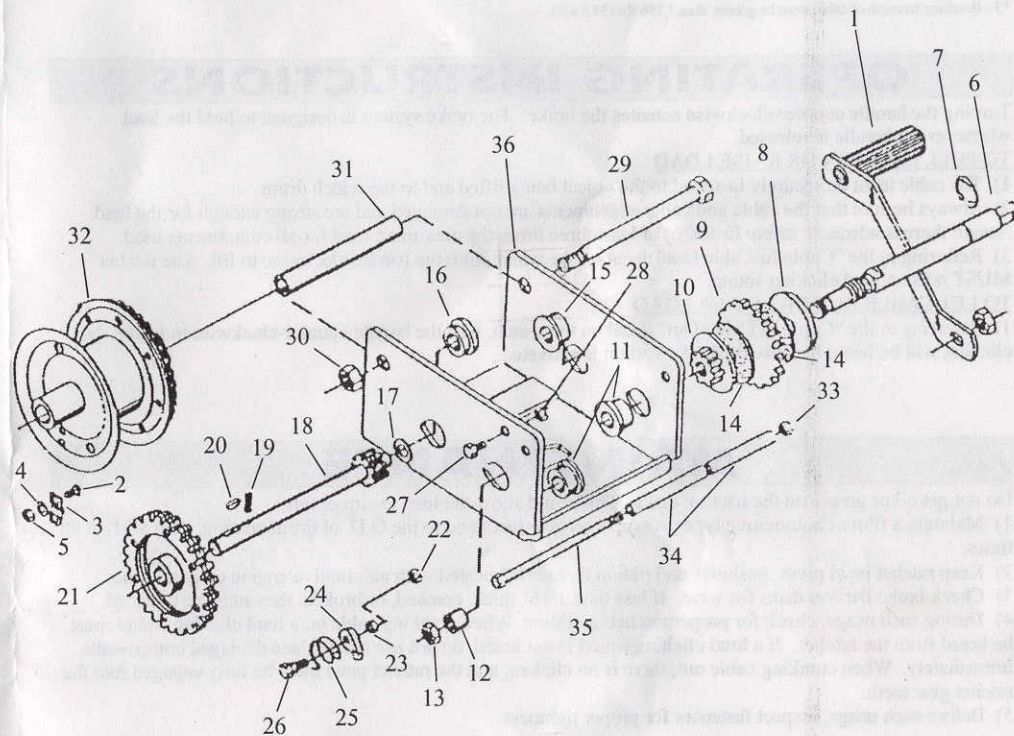
- 1) Feed the cable under the drum, through drum side hole, and through cable clamp with one inch extending past clamp.
- 2) With keeper nuts and lock washers outside the drum side, tighten nuts snug until cable is adequately clamped (approx. 20 - 30 lb-in).
- 3) Always be sure the cable is pulling straight off the winch, not at an angle. This will prevent the cable from rubbing against the sides of the drum, which can damage the cable.

Figure 2 (Illustration only! Do not remove drum for cable attachment.)



SERVICE PARTS AND ACCESSORIES

ITEM	DESCRIPTION	QTY.	PART NO.	REPAIR KIT
1	HANDLE ASSY-11"	1	2461	
2	BOLT - CARRIAGE, #10-24 x .687 LG	2	5606	5621-01
3	ROPE KEEPER CLAMP	1	5604	CABLE KEEPER KIT
4	LOCKWASHER - INTERNAL TOOTH #10	2	731	
5	NUT - #10-24, HEX	2	806	
6	SHAFT - INPUT K2550 ZINC	1	9928	1565S01
7	RETAINING RING - 3/4 SHAFT	1	57	INPUT SHAFT
8	DISC - SHAFT, BRAKE	1	2450	KIT
9	GEAR - RATCHET, 17 TOOTH, 5/8 ID	1	0472110	
10	PINION GEAR & DISC - 10 TOOTH	1	0472108	
11	BUSHING - .75 ID x .63 LG, PM	2	0443103	
12	SPACER-DISC RTR .50ID X 0.75OD x 0.93	1	0427006	
13	LOCKNUT - 1/2-13, CENTERLOCK	1	952	
14	DISC - FRICTION	2	0431004	1578S00 KIT
15	BUSHING - .63 ID x .63 LG, PM	1	0443102	
16	BUSHING - .75 ID x .63 LG, PM	3	0431003	
17	WASHER - THRUST, .63 ID x 1.10 OD	1	0427003	INTERMEDIATE
18	ASSY-SHAFT / GEAR, INTERMEDIATE	1	9524	SHAFT
19	ROLL PIN - 1/8 DIA x .875 LG	1	212	KIT
20	KEY - WOODRUFF #405 .125 THK x .237	1	4144	1568S01
21	RVIMENT - 31T, 3 LAM., .75 ID	1	9929	
22	LOCKNUT - 5/16-18, CENTERLOCK	2	36	
23	SPACER-RATCHET 0.32ID x 0.56OD x 0.22	1	6635	RATCHET
24	RATCHET PAWL	1	6513	KIT
25	RATCHET SPRING - K2550, SS	1	6542	6730S00
26	BOLT-SHOULDER, 5/16-18 x 1.28 LG GR 5	1	6518	
27	CAPSCREW-5/16-18 x 0.50 LG HEX GR 5	1	218	
28	LOCKNUT - 5/16-18, CENTERLOCK	1	36	
29	BOLT-5/8-11 x 7.75 LG HEX GR 2	1	6395	
30	LOCKNUT - 5/8-11, CENTERLOCK	1	83	
31	SPACER-DRUM 0.63ID x 0.75OD x 6.69LG	1	6394	
32	WELDMENT - DRUM K2550	1	9514	
33	LOCKNUT - 5/16-18, CENTERLOCK	1	36	
34	SPACER-FRAME 33ID x .38OD x 3.34LG	2	6586	
35	CAPSCREW-5/16-18 x 7.50 LG HEX GR 2	1	6587	
36	FRAME - K2550	1	12361	



HOW TO ORDER PARTS

Always replace broken, bent or worn parts before using this product. Use only Fulton Performance Products' parts or parts of equal quality for repair. Replacement parts are available through Fulton Performance Products' Customer Service Department, 715-693-1700. Please specify product model number, name of parts, and part number. A two digit year code is stamped into the frame to aid in model identification.

FULTON
Performance Products, Inc.

50 Indianhead Dr., P.O. Box 8 Mosinee, WI 54455-0008
800/604-9466 715/693-1700 Fax 715/693-1799
www.fultonperformance.com
fulton@fultonperformance.com

F1849CE (A-7939) 3/02