

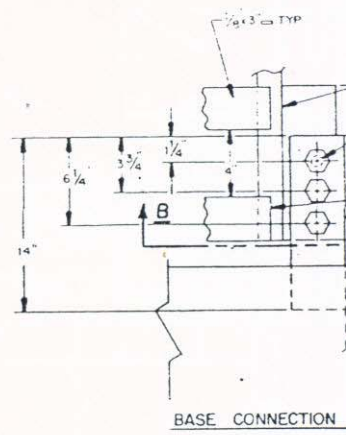
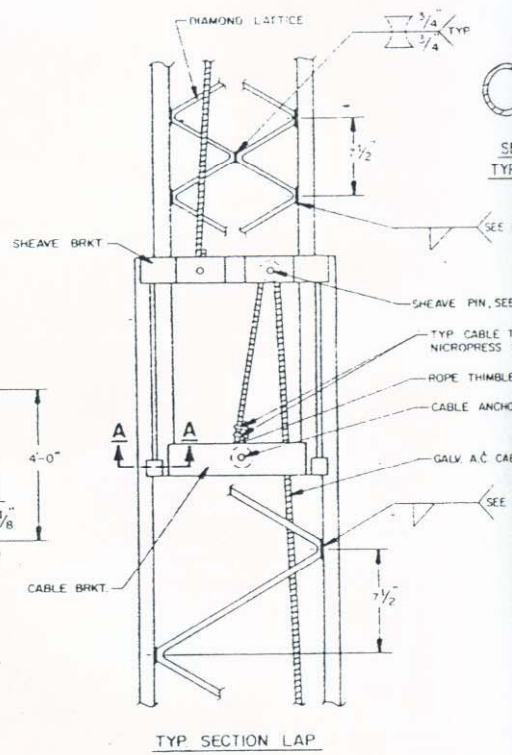
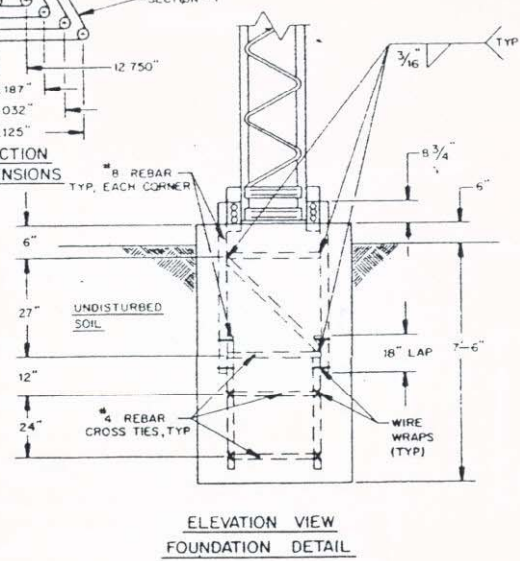
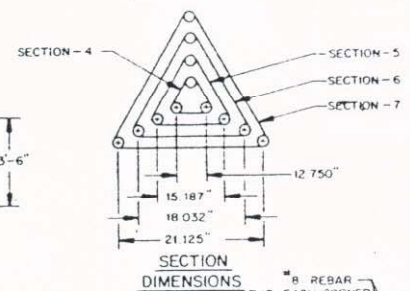
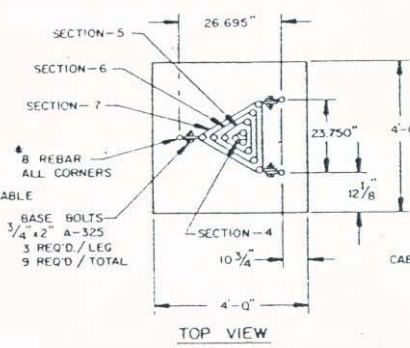
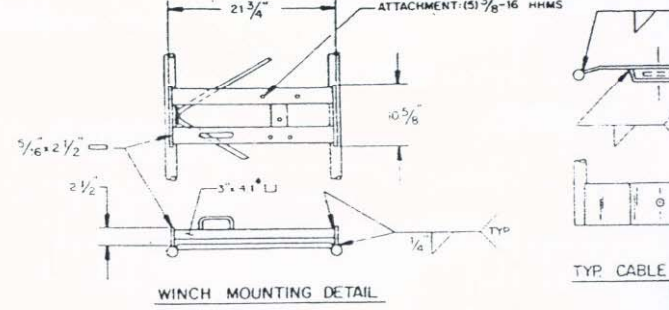
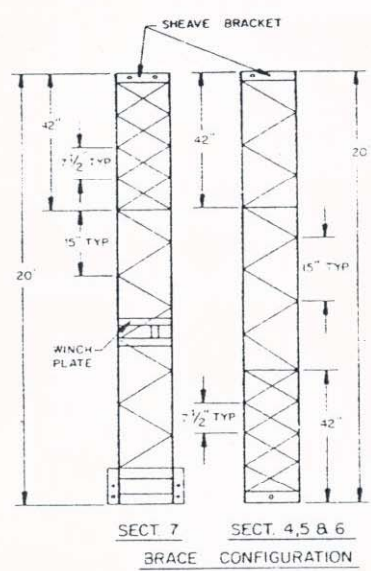
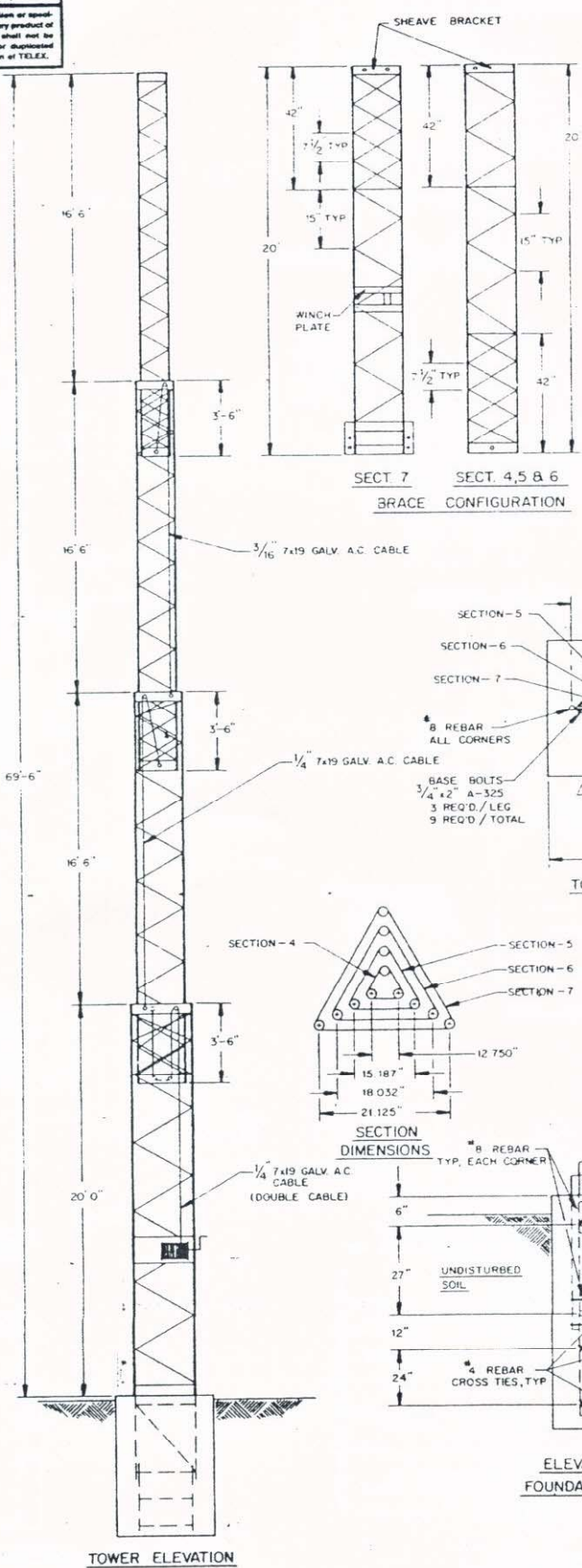
This drawing, written description or specification represents a proprietary product of TELEX, Lincoln, Neb., and shall not be reprinted, disclosed, used nor duplicated without the written permission of TELEX.

SECTION - 4

SECTION - 5

SECTION - 6

SECTION - 7



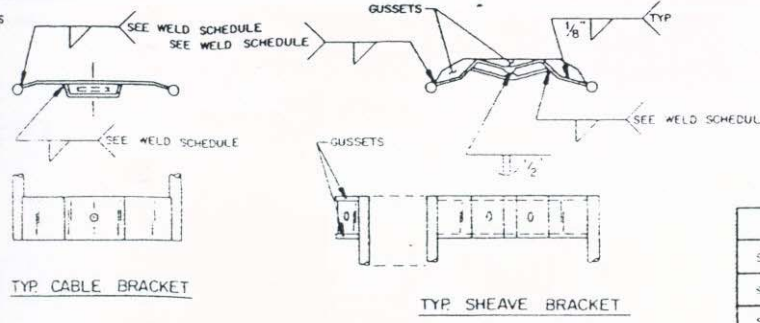
TOWER ELEVATION

ELEVATION VIEW FOUNDATION DETAIL

TYP. SECTION LAP

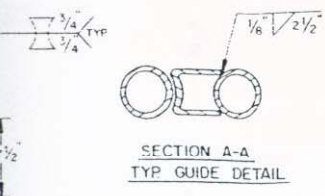
BASE CONNECTION

CHG. NO.	LTR.	DESCRIPTION	DATE	APPD.
25-61	A	CORRECT NOTE 3, D12.1 REMOVED	14 JUNE 90	



WELD SCHEDULE

ASSEMBLY	LATTICE TO LEG	END BRACES AND BRACKET TO LEG	BASE EARS TO LEG	FOUNDATION EARS TO BAR
SECTION-4	3/16" √-1"	1/8" √-3"	---	---
SECTION-5	3/16" √-1"	1/8" √-3"	---	---
SECTION-6	3/16" √-1 1/4"	1/8" √-3"	---	---
SECTION-7	3/16" √-1 1/4"	1/8" √-3"	---	---
FOUNDATION FRAME	---	---	1/4" √-10" 1/4" √-10"	1/4" √-14" 1/4" √-14"



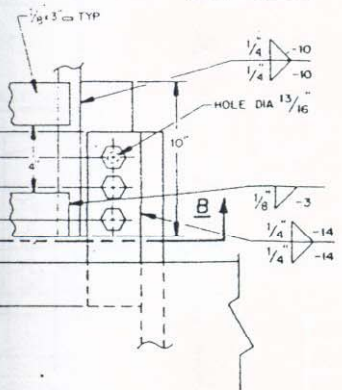
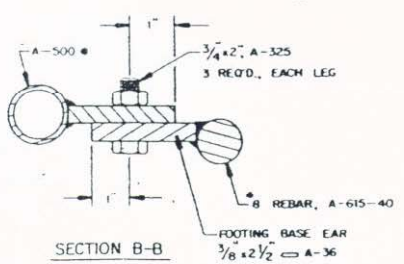
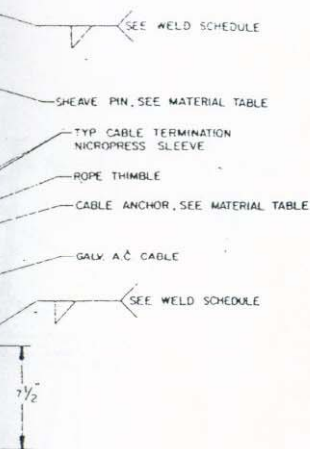
MATERIAL TABLE

ITEM	SPECIFICATION	SECTION-4	SECTION-5	SECTION-6	SECTION-7
SECTION LEGS	ASTM A-500 *	1" O.D. x .095" WALL	1.25" O.D. x .120" WALL	1.50" O.D. x .134" WALL	1.50" O.D. x .217" WALL
DIAGONAL BRACING	ASTM A-36	5/16" DIA	3/8" DIA	1/2" DIA	1/2" DIA
END BRACING / BRACKET	ASTM A-570-36	1/8" x 3"	1/8" x 3"	1/8" x 3" / 3/16" x 3"	1/8" x 5" / 3/16" x 3"
BASE EARS - TOWER	ASTM A-36	---	---	---	3/8" x 2 1/2"
BASE EARS - FOUNDATION	ASTM A-36	---	---	---	3/8" x 2 1/2"
REINFORCEMENT - FOUNDATION	ASTM A-615-40	---	---	---	#8
ATTACHMENT BOLTS - FOUND.	ASTM A-325 HOT DIP GALV.	---	---	---	3/4" UNC x 2", 9 REQ'D.
RAISING CABLES	AIRCRAFT QUAL. 7x19 GALV.	3/16" DIA, 4,200lb. BR STR	1/4" DIA, 7,000lb. BR STR	1/4" DIA, 7,000lb. BR STR	---
CABLE HARDWARE	108 CRS PIN/HHMS ANCHOR	3/8"-16	3/8" DIA / 1/2"-13	1/2" DIA / 1/2"-13	1/2" DIA / 1/2"-13
WINCH	2,500lb. MIN. RATED LOAD, AUTOMATIC LOCKING BRAKE, 15:8:1 GEAR PLATE, 10:1 MECHANICAL ADVANTAGE.	---	---	---	---

* 45,000 MIN YIELD

NOTES

- GENERAL - A. TOWER DESIGNED IN ACCORDANCE WITH UBC.
B. TOWER MANUFACTURED BY TELEX/HY-GAIN.
- MATERIALS - ALL MATERIALS SHALL BE STRUCTURAL GRADE STEEL, CERTIFIED FOR CONFORMANCE TO THE SPECIFICATIONS AND REQUIREMENTS AS LISTED IN THE MATERIALS TABLE AND AS NOTED IN THE DETAIL NOTES OF THIS DRAWING.
- WELDING - ALL TOWER WELDS SHALL BE IN ACCORDANCE WITH THE AWS D11 WELDING CODES AND SHALL BE PERFORMED BY WELDERS CERTIFIED IN ACCORDANCE WITH THE PROVISIONS AND REQUIREMENTS OF THE AWS.
ELECTRODE SPECIFICATIONS ARE:
A. TOWER STRUCTURE WELDS - E70-53 OR EQUIVALENT
B. FOOTING REINFORCEMENT STRUCTURE WELDS - E7018 OR EQUIVALENT.
- FOUNDATION - FOUNDATION CONSISTS OF SINGLE REINFORCED CONCRETE FOOTING. THE DESIGN HEREIN SPECIFIED IS FOR SOILS WITH A MINIMUM 200 PSF/FT LATERAL BEARING PRESSURE. INSTALLATIONS IN SOILS OF LESSER CAPACITY, OR LOOSE OR SOFT CHARACTERISTICS WILL REQUIRE ALTERNATE DESIGNS SPECIFIC FOR THE SITE CONDITIONS.
A. CONCRETE QUANTITY - 4.8 YD³
B. MIX LESS THAN 7.25 GAL. OF WATER PER SACK. MINIMUM 5.5 SACKS PER YD³
C. STRENGTH - 2,000 PSI, MINIMUM 28 DAYS.
FOOTING STEEL REINFORCEMENT SHALL BE AS SPECIFIED IN THE FOOTING DETAIL AND SHALL BE POSITIONED AS SHOWN IN THE DETAIL. EARTH EXCAVATION FOR THE FOOTING SHALL BE ACCOMPLISHED SO AS TO LEAVE SOILS IMMEDIATELY ADJACENT TO THE FOOTING UNDISTURBED.
- FINISH - THE TOWER SHALL BE HOT DIP GALVANIZED PER ASTM A-123 AFTER FABRICATION.



HG-7011D

QTY.	DESCRIPTION	ITEM	PART NO.	SPECIFICATION
	TOLERANCES UNLESS OTHERWISE SPECIFIED	DATE	15 MARCH 83	
	FRACTION	DR BY	BEK	
	DECIMAL	CHK BY	MJD 3-17-83	
	ANGLE	APPD.	WJS 3-17-83	
		PROD.	H/P 3-17-83	
	MATL.	CONTRACT	SIZE	CODE IDENT
NEXT ASSY.	USED ON		0	57010
APPLICATION			DWG. NO.	131-1
			SCALE	SHEET 1 OF 1

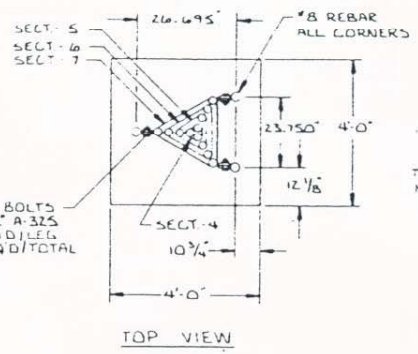
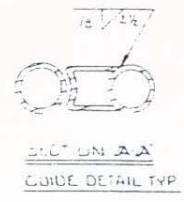
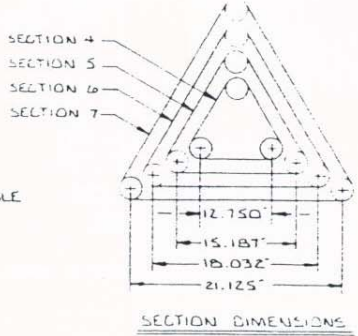
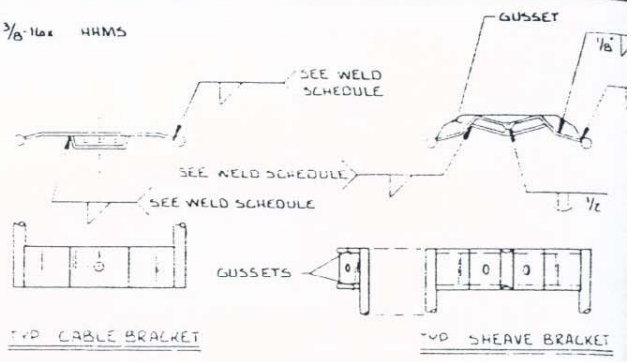
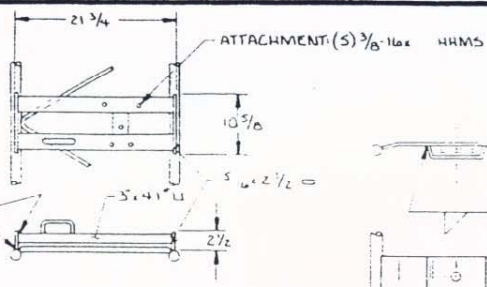
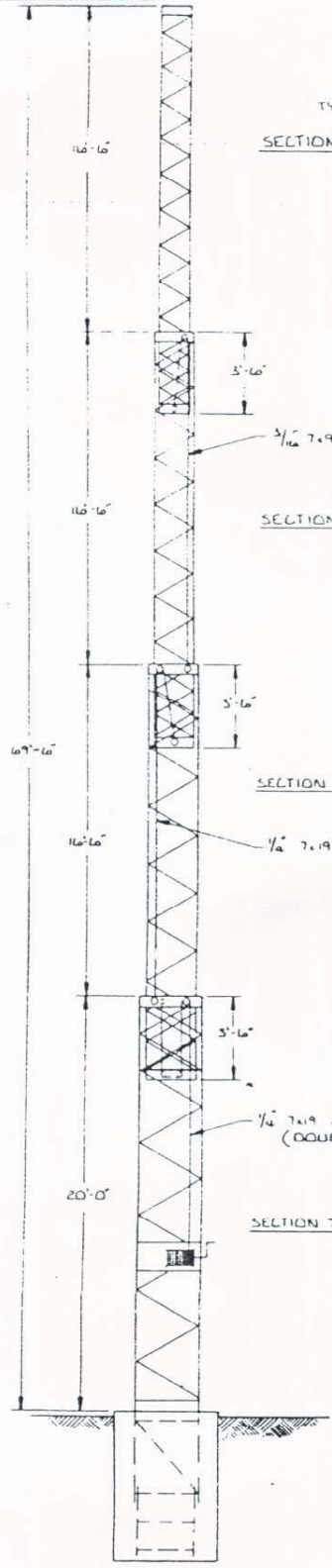
TELEX hy-gain
TELEX COMMUNICATIONS, INC.
10001 N. CENTRAL AVE.

TITLE
PRODUCT 131-1 TOWER INSTALLATION & SPECS.
FOR UBC

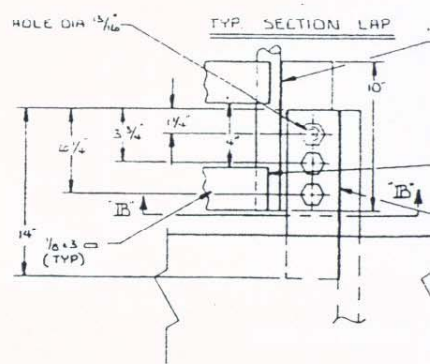
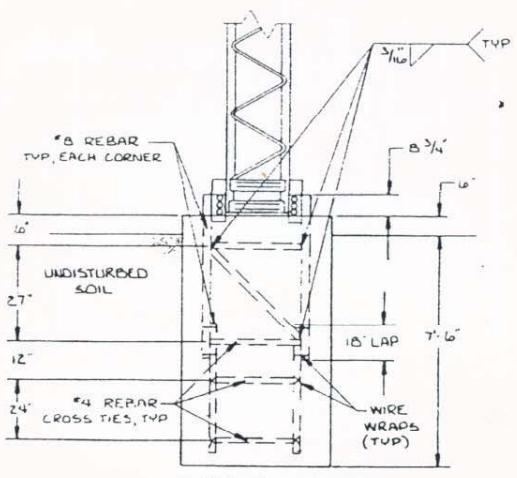
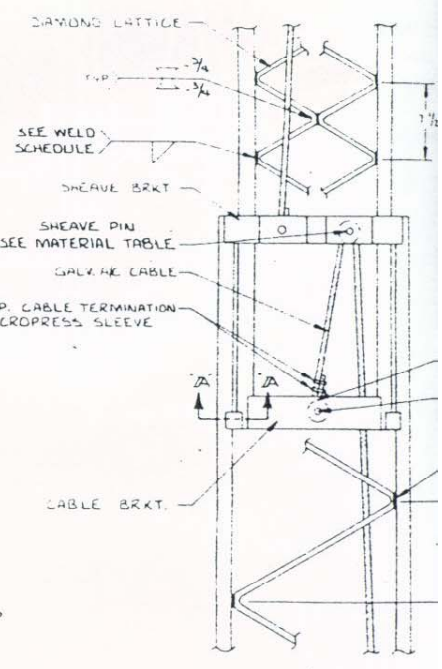
DWG. NO. 131-1

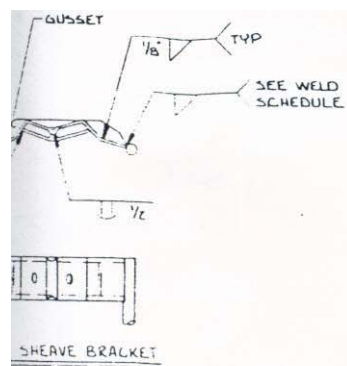
SHEET 1 OF 1

1-2
 Any written description or specification represents a proprietary product of TELEX, Lincoln, Harb., and shall not be copied, disclosed, used nor duplicated without the written permission of TELEX.



- △ BASE BOLTS
- 3/4" x 2" A-325
- 3 REQ/DIAG
- 9 REQ/TOTAL





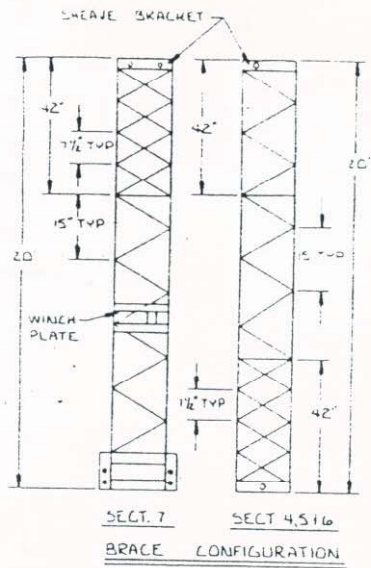
CHG. NO. LTR.		REVISIONS	DATE	APPD.
		ADDED NOTES REQ'D FOR L.A. STANDARD PLAN	29 NOV 82	RC

ITEM	SPECIFICATIONS	SECTION - 4	SECTION - 5	SECTION - 6	SECTION - 7
SECTION LEGS	ASTM A-500 X	1" O.D. x 0.93 WALL	1.25" O.D. x 1.20 WALL	1.5" O.D. x 1.34 WALL	1.5" O.D. x 1.17 WALL
DIAGONAL BRACING	ASTM A-36	5/16" DIA	3/8" DIA	1/2" DIA	1/2" DIA
END BRACING/BRAKET	ASTM A-570-16	1/8" x 3"	1/8" x 3"	1/8" x 3" / 3/16" x 3"	1/8" x 3" / 3/16" x 3"
BASE EARS - TOWER	ASTM A-36				3/16" x 2 1/2"
BASE EARS - FOUNDATION	ASTM A-36				3/16" x 2 1/2"
REINFORCEMENT FOUND.	ASTM A-615-40				#8
ATTACHMENT BOLTS FOUND	ASTM A-325 HOT DIP GALV				4 UNC x 2.9 REQ'D
RAISING CABLES	AIRCRAFT QUAL. 7x19 GALV	3/4" DIA, 4200 LB. BR STR	1/2" DIA, 2000 LB BR STR	1/4" DIA, 7000 LB BR STR	
CABLE HARDWARE	#18 CRS PIN/HUMS ANCHOR	3/16" - 1/8"	3/16" DIA / 1/2" - 1/3"	1/2" DIA / 1/2" - 1/3"	1/2" DIA / 1/2" - 1/3"
WINCH	2500 LB MIN RATED LOAD, AUTOMATIC LOCKING BRAKE, 15:1 GEAR RATIO, 10:1 MECH. ADVANTAGE.				

* 45,000 MIN YIELD

MATERIAL TABLE

ASSEMBLY	LATTICE TO LEG	END BRACES/ BRKTS TO LEG	BASE EARS TO LEG	FOUNDATION EARS TO BAR
SECT. 4	3/16" - 1"	1/8" - 3"		
SECT. 5	3/16" - 1"	1/8" - 3"		
SECT. 6	3/16" - 1 1/4"	1/8" - 3"		
SECT. 7	3/16" - 1 1/4"	1/8" - 3"		
FOUNDATION FRAME			1/4" - 10" / 1/4" - 10"	1/4" - 14" / 1/4" - 14"

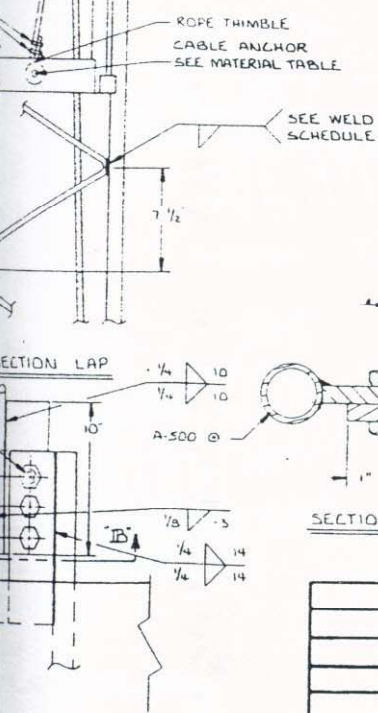


SECT. 7
SECT. 4, 5, 6
BRACE CONFIGURATION

NOTES

- GENERAL - A. TOWER DESIGNED IN ACCORDANCE WITH LABEL. B. TOWER MANUFACTURED BY TELETYPE-GAIN, LOS ANGELES APPROVED FABRICATOR, LICENSE # 1095.
- MATERIALS - ALL MATERIALS SHALL BE STRUCTURAL GRADE STEEL, CERTIFIED FOR CONFORMANCE TO THE SPECIFICATIONS AND REQUIREMENTS AS LISTED IN THE MATERIALS TABLE AND AS NOTED IN THE DETAIL NOTES OF THIS DRAWING. FOUNDATION BASE BOLTS SHALL BE A-325 AND TIGHTENED & INSPECTED BY LICENSED DEPUTY STEEL INSPECTOR APPROVED BY CITY OF L.A.
- WELDING - ALL TOWER WELDS SHALL BE IN ACCORDANCE WITH THE AWS D11.1/D12.1 WELDING CODES AND LOS ANGELES ZOA 3-77, AND SHALL BE PERFORMED IN THE LICENSED FABRICATOR'S SHOP (LICENSE 1095) BY WELDERS CERTIFIED IN ACCORDANCE WITH THE PROVISIONS AND REQUIREMENTS OF THIS LICENSE. ELECTRODE SPECIFICATIONS ARE: A. TOWER STRUCTURE WELDS - E70-53 OR EQUIVALENT. B. FOOTING REINFORCEMENT STRUCTURE WELDS - E7018, OR EQUIVALENT.
- FOUNDATION - FOUNDATION CONSISTS OF SINGLE REINFORCED CONCRETE FOOTING. THE DESIGN HEREIN SPECIFIED IS FOR THE FOLLOWING COMPACT SOILS: GRAVEL SILTY OR CLAYEY GRAVEL, WELL GRADED SAND, LEAN CLAY. INSTALLATIONS IN SOILS OF LESSER CAPACITY, OR LOOSE OR SOFT CHARACTERISTICS WILL REQUIRE ALTERNATE DESIGNS SPECIFIC FOR THE SITE CONDITIONS. A. CONCRETE QUANTITY - 4.8 YD³ B. MIX LESS THAN 7.25 GAL. OF WATER PER SACK. MIN 5.5 SACKS PER YD³ C. STRENGTH - 2000 PSI, MINIMUM 28 DAYS. FOOTING STEEL REINFORCEMENT SHALL BE AS SPECIFIED IN THE FOOTING DETAIL AND SHALL BE POSITIONED AS SHOWN IN THE DETAIL. EARTH EXCAVATION FOR THE FOOTING SHALL BE ACCOMPLISHED SO AS TO LEAVE SOIL IMMEDIATELY ADJACENT TO THE FOOTING UNDISTURBED.

WELD SCHEDULE



SECTION B-B

FINISH

L.A. STANDARD PLAN

- THE TOWER SHALL BE HOT DIP GALVANIZED PER ASTM A-123 AFTER FABRICATION.
- L.A. CITY STANDARD PLAN N° MISC. 4415
A. STANDARD PLAN APPROVAL IS FOR STRUCTURAL ONLY. FIRE DEPT., ZONING, PUBLIC WORKS, BUILDING AND SAFETY APPROVAL MAY BE NECESSARY PRIOR TO ISSUANCE OF A BUILDING PERMIT.
C. LOCATION OF TOWER MUST COMPLY WITH ALL L.A. CITY ZONING ORDINANCES.

1-14-704 D - CA



QTY.	DESCRIPTION	ITEM	PART NO.	SPECIFICATION
	TOLERANCES UNLESS OTHERWISE SPECIFIED	DATE	18 JUNE 82	TELEX hy-gain <small>TELEX COMMUNICATIONS INC Lowell, Massachusetts, U.S.A.</small>
	FRACTION	DR BY	BEK	
	DECIMAL	CHK BY		
	ANGLE	APPD.	RC Clarke	
	MATL.	PROD.		TITLE PROD. 131-2 TOWER INSTALLATION SPECS. FOR LOS ANGELES BUILDING CODE
NEXT ASSY.	USED ON	CONTRACT		SIZE D
APPLICATION				CODE IDENT 57010
				DWG. NO. 131-2
				SCALE ~
				SHEET 1 OF 1