

# INSTRUCTION MANUAL

## General Description

The HG-GP is a Gin Pole of the fixed type which can be used on all Hy-Gain "Crank-Up" TM Series Towers. The bottom of the gin pole rests on the concrete of the tower and is held in place by a cable attached to the tower base bolts. The top is guyed to a screw type earth anchor making it possible for the customer to accomplish the complete installation.

If there is only one bolt in each base ear of your tower then you should lay the tower down to a horizontal position after retracting.

Support the base end of the tower and remove the base bolts. This will allow you to install the base cable anchors safely. See Detail "E".

## Specifications

Weight 60 lbs. ....	(27.22 kg)
Capacity .....	HG-70HD with 400 lbs. top load (19K ft. lbs.)
Material .....	All steel with aluminum sheaves and bronze bushings
Plating .....	Galvanized to ASTM A-123
Mounting .....	Base mounted with "Back Stay" cable and disk type earth anchor
Winch .....	1,500 lb. capacity with automatic brake

## Installation and Assembly

Study the figure and become familiar with the assembly of the gin pole.

Lay out all the pieces and make sure all the items are accounted for by comparing them with the parts list supplied in the manual.

If you are installing the gin pole and tower at the same time the base bolts are inserted, see Detail "E".

If you are adding you gin pole to an existing tower installation be sure your tower is retracted to its shortest height. If your tower has two or three bolts at each base ear, the nut and lockwasher may be removed from the bottom base bolt to allow attaching the base cable anchor.

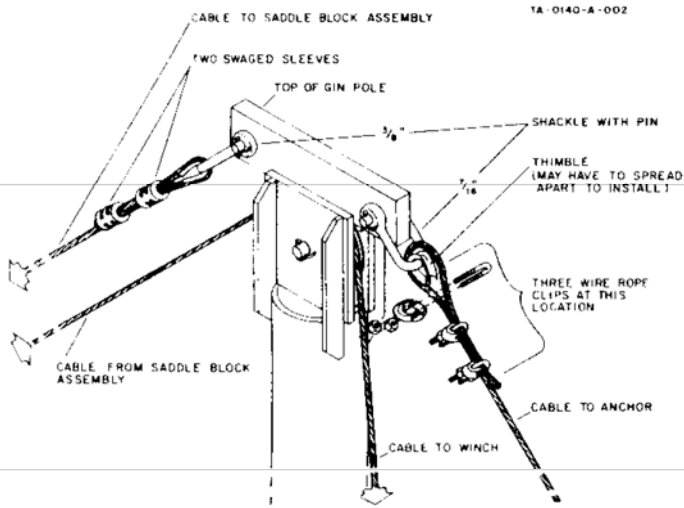
After you have become familiar with the figures and details in this manual, screw the earth anchor in the ground 10 feet from the base on the opposite side the tower is hinged. The anchor must be set at 45 degrees leaning toward the tower.

Leave the anchor rod sticking up about 3". See Detail "B".

Assemble the gin pole base and angle bracing to the gin pole as shown in Detail "D".

Attach the winch on the gin pole winch mounting plate as outlined in Detail "C".

Attach the saddle block assembly to the top leg of the tower as described in Detail "F".



Detail A.

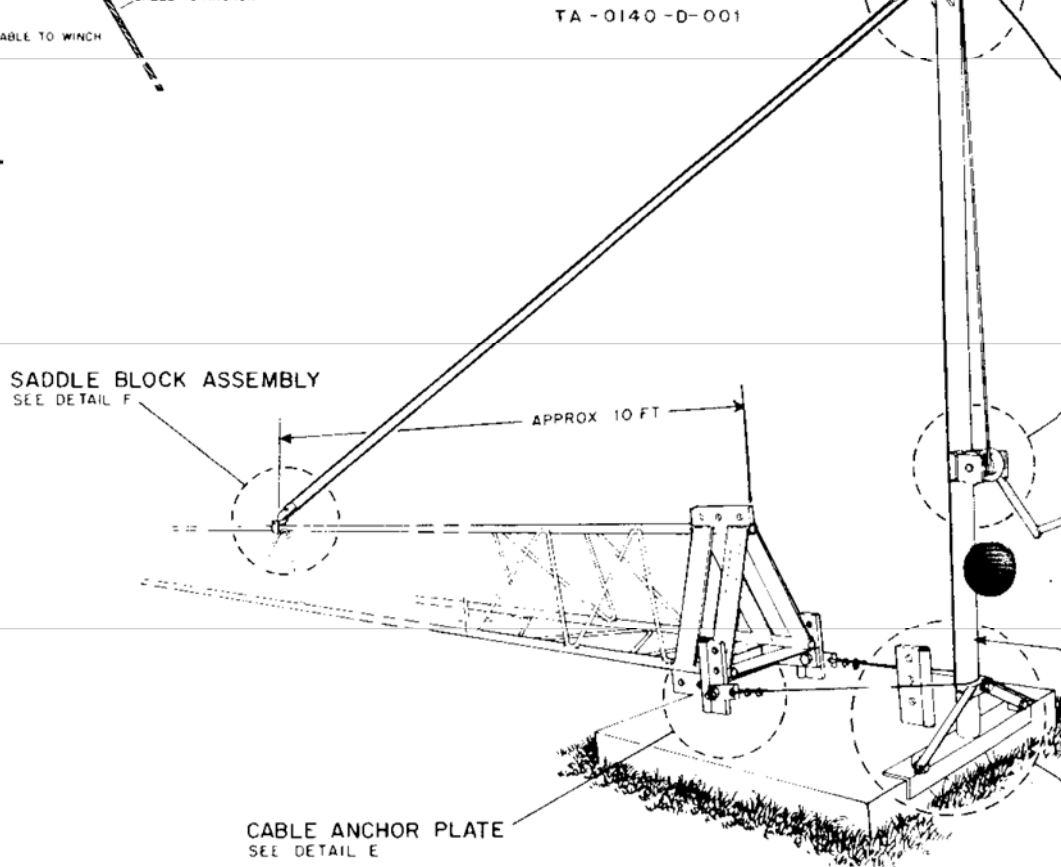
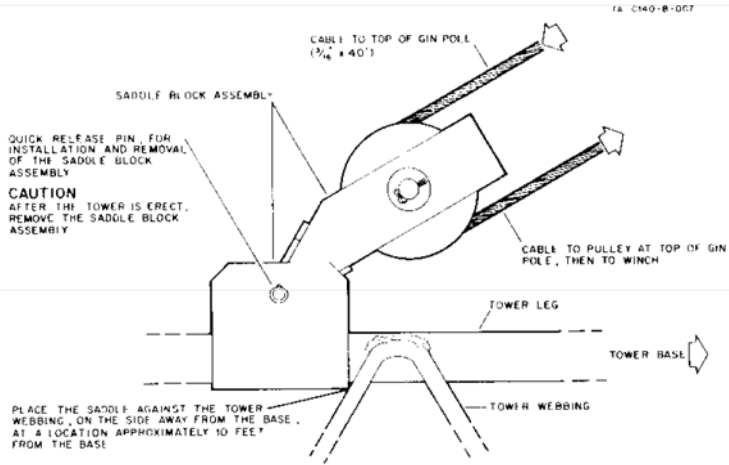
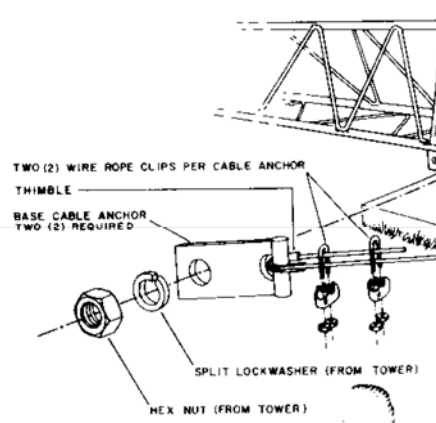


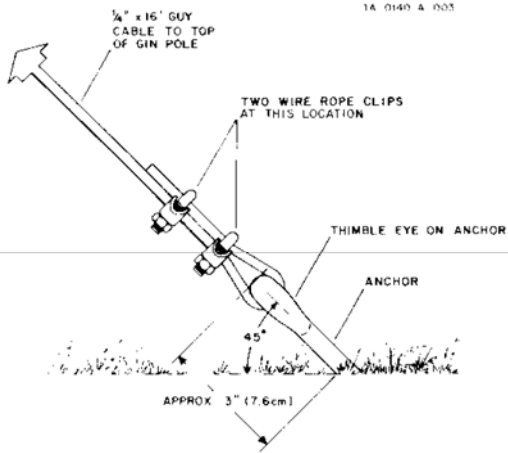
Figure 1  
Overall View of Assen



Detail F.

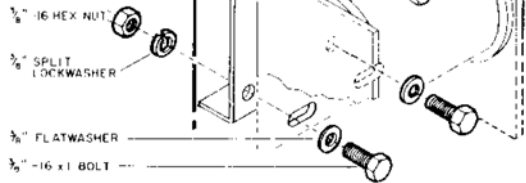


Detail G.



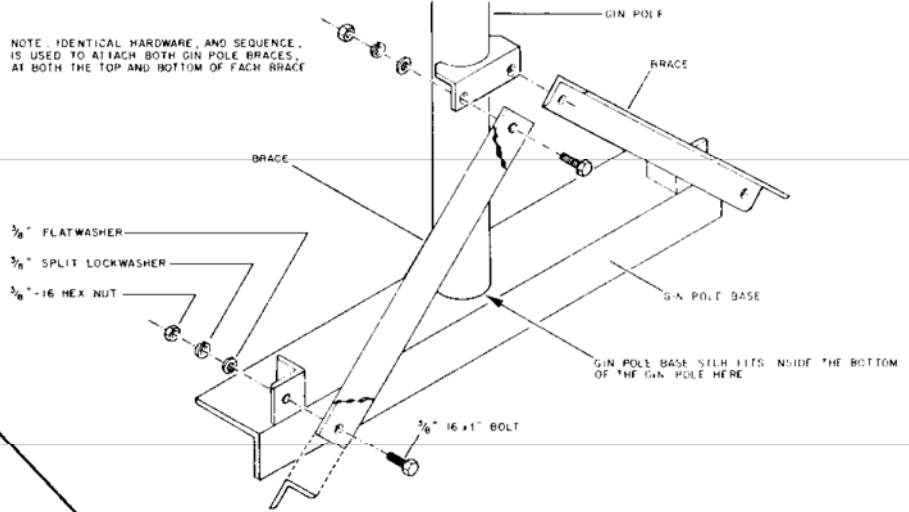
Detail B.

NOTE: Use the same hardware sequence for all three bolts when mounting the winch



Detail C.

NOTE: IDENTICAL HARDWARE, AND SEQUENCE, IS USED TO ATTACH BOTH GIN POLE BRACES, AT BOTH THE TOP AND BOTTOM OF EACH BRACE



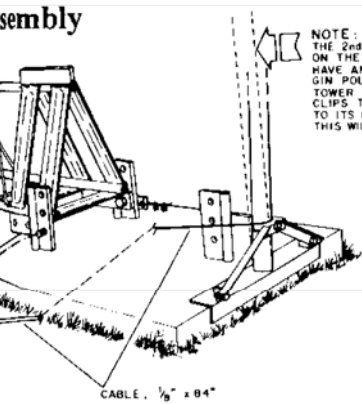
Detail D.

10 FT (3.048m)

NOTE: PRIOR TO TIGHTENING THE 2nd SET OF WIRE ROPE CLIPS ON THE BASE ANCHOR CABLE, HAVE ANOTHER PERSON TILT THE GIN POLE SLIGHTLY TOWARD THE TOWER. TIGHTEN THE WIRE ROPE CLIPS THEN RETURN THE GIN POLE TO ITS ORIGINAL POSITION. THIS WILL TIGHTEN THE BASE CABLE

ANCHOR SEE DETAIL B

assembly



Detail E.

Attach the pulley in the top of the gin pole as shown in Detail "A". Insert a cotter pin on each end of the pulley shaft as shown. Refer to Detail "A" and insert the shackle through the end of the 1/4" x 40' cable with the two swaged sleeves and pin to the top of the gin pole on the side opposite the winch.

Run cable down to the saddle block assembly, thread through the pulley on top of the gin pole and down to the winch. See Details "A" and "F". Attach cable securely to the winch.

Attach one end of the 1/4" x 16' cable to the shackle, and pin to the winch side of the top of the gin pole.

Loosely attach the opposite end of the cable to the guy anchor with one wire rope clip.

Lift the gin pole to its vertical position and place on the edge of the towers concrete foundation.

Use the winch to retrieve the cable until the gin pole is supported in this position by both cables. Attach the 1/8" x 7' cable as shown in Detail "E".

**NOTE:** Before tightening the second set of wire rope clips on the base anchor cable, tilt the gin pole slightly towards the tower. Tighten the wire rope clips then return the gin pole to its original position. This will tighten the base cable.

Tighten the guy cable until the gin pole is vertical and secure using the two wire rope clips as shown in Detail "B".

Make sure all hardware is tight and the cable has no kinks.

Using the winch handle slowly tilt the tower to its vertical position.

**CAUTION:**  
Remove saddle block before raising the tower to its fullest height.

### Parts List

Part No.	Description	Qty.
350875	Anchor .....	1
878032	Guy Cable Assembly .....	1
872064	Winch .....	1
871945	Raising Cable Assembly, 3/16" x 40' .....	1
880129	Gin Pole Assembly .....	1
871948	Parts Pack, Product 140 .....	1
880130	Base Cable Anchor .....	2
880133	Gin Pole Base Assembly .....	1
350831	Shackle, Chain, 3/8" with loose pin .....	1
350876	Shackle, Chain, 7/16" with loose pin .....	1
356423	Clamp, Cable, 1/4" Galv. ....	2
380423	Brace, Gin Pole .....	2
690361	Cable, Base Anchoring, 1/8" x 7' .....	1
871154	Sheave .....	1
871946	Saddle Block Assembly .....	1
871947	Parts Pack for 871948	
351700	Thimble, Wire Rope, 5/32" .....	2
356421	Thimble, 1/4" Galv. ....	1
359929	Clips, Wire Rope. 1/8" .....	4
380402	Pin, 1/2" x 1 5/8" 1	
509320	Bolt, 3/8"-16 x 1, Hcx Head .....	7
550059	Nut, 3/8"-16 Hex 7	
561295	Lockwasher, Split, 3/8" .....	7
567105	Flatwasher, 3/8" .....	5
590019	Pin, Cotter, 3/32" x 1" .....	2