

Hilomast LLC Reserves the right to modify dimensions and specifications without notice Hilomast LLC. No copying in any form whatsoever without prior permission



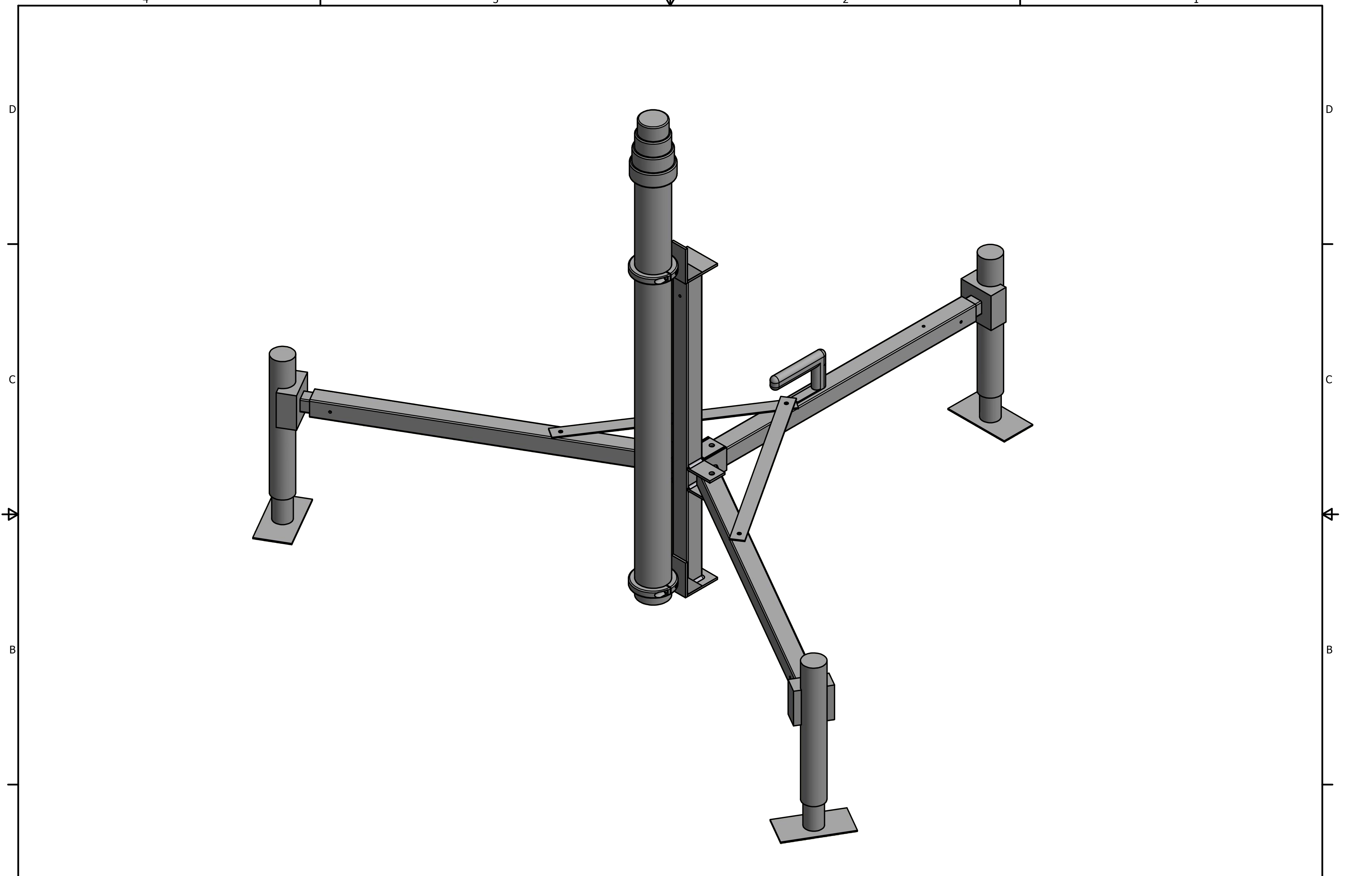
**Hilomast LLC**  
 402 Chairman Court  
 Debary, FL 32713  
 USA  
 Tel: +1 (386) 668 6784  
 Fax: +1 (386) 668 6794


COMPUTER GENERATED DRAWING  
 DO NOT CHANGE MANUALLY  
 DO NOT SCALE - PLOT SCALE MAY VARY

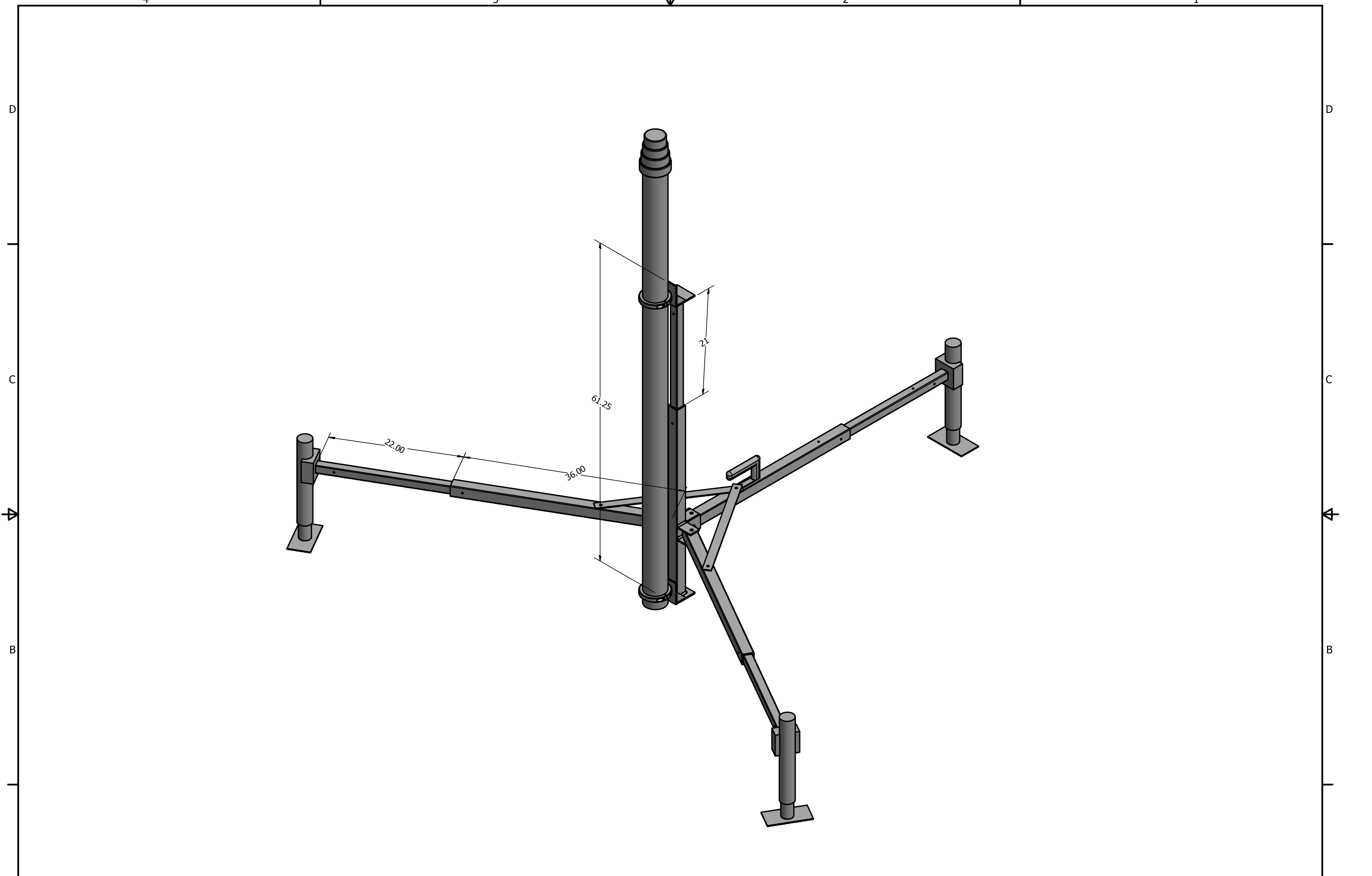
|     |     |             |           |         |           |           |
|-----|-----|-------------|-----------|---------|-----------|-----------|
| 1   | N/A |             | JOSEPH O. | 1.11.12 |           |           |
| ISS | ECO | DESCRIPTION | DRAWN BY  | DATE    | ERP APP'D | DWG APP'D |

|                          |   |
|--------------------------|---|
| MATERIAL                 | 6061 ALUMINUM   |
| FINISH                   | SURFACE FINISH UNLESS OTHERWISE STATED 1.6<br>REMOVE ALL BURRS AND SHARP EDGES  |
| TOLERANCES               | UNLESS OTHERWISE STATED<br>0 DEC PLACE +/- 0.5 IN<br>1 DEC PLACE +/- 0.25IN<br>2 DEC PLACE +/- 0.15IN<br>3 DEC PLACE +/- 0.05IN<br>ANGLES +/- 1.0 DEG |
| ALL DIMENSIONS IN INCHES |   |

|   |        |
|---|--------|
| TITLE<br><b>TRIPOD PROTOTYPE<br/>COLLAPSED VIEW</b> |        |
| STOCK CODE  |        |
| DRAWING No.   | SHEET  |
| 1   | 1 OF 3 |



|   |  |  |  |  |            |             |                       |   |                        |                          |               |                 |
|---|--|--|--|--|------------|-------------|-----------------------|---|------------------------|--------------------------|---------------|-----------------|
| Hilomast LLC Reserves the right to modify dimensions and specifications without notice. Hilomast LLC.<br>No copying in any form whatsoever without prior permission.                                  |  |  |  | MATERIAL<br>6061 ALUMINUM  |            |             |                       | TITLE<br>TRIPOD PROTOTYPE<br>DEPLOYED WITH NH5  |                        |                          |               |                 |
|  Hilomast LLC<br>402 Chairman Court<br>Debary, FL 32713<br>USA<br>Tel: +1 (386) 668 6784<br>Fax: +1 (386) 668 6794 |  |  |  | FINISH<br>SURFACE FINISH UNLESS OTHERWISE STATED 1.6<br>REMOVE ALL BURRS AND SHARP EDGES |            |             |                       | TOLERANCES<br>UNLESS OTHERWISE STATED<br>0 DEC PLACE +/- 0.5 IN<br>1 DEC PLACE +/- 0.25IN<br>2 DEC PLACE +/- 0.15IN<br>3 DEC PLACE +/- 0.05IN<br>ANGLES +/- 1.0 DEG |                        |                          |               |                 |
| COMPUTER GENERATED DRAWING<br>DO NOT CHANGE MANUALLY<br>DO NOT SCALE - PLOT SCALE MAY VARY  |  |  |  | 1<br>ISS   | N/A<br>ECO | DESCRIPTION | JOSEPH O.<br>DRAWN BY | 1.11.12<br>DATE   | ERP APP'D<br>DWG APP'D | ALL DIMENSIONS IN INCHES | DRAWING No. 1 | SHEET<br>2 OF 3 |



Hilomast LLC Reserves the right to modify dimensions and specifications without notice Hilomast LLC.  
No copying in any form whatsoever without prior permission



**Hilomast LLC**  
402 Chairman Court  
Debary, FL 32713  
USA  
Tel: +1 (386) 668 6784  
Fax: +1 (386) 668 6794

COMPUTER GENERATED DRAWING  
DO NOT CHANGE MANUALLY  
DO NOT SCALE - PLOT SCALE MAY VARY

|     |     |             |          |      |           |           |
|-----|-----|-------------|----------|------|-----------|-----------|
| 1   | N/A | JOSEPH O.   | 1.11.12  |      |           |           |
| ISS | ECO | DESCRIPTION | DRAWN BY | DATE | ERP APP'D | DWG APP'D |

MATERIAL  
**6061 ALUMINUM**

FINISH  
SURFACE FINISH UNLESS OTHERWISE STATED 1.6  
REMOVE ALL BURRS AND SHARP EDGES

ALL DIMENSIONS IN INCHES

**TOLERANCES**  
UNLESS OTHERWISE STATED

|             |             |
|-------------|-------------|
| 0 DEC PLACE | +/- 0.5 IN  |
| 1 DEC PLACE | +/- 0.25IN  |
| 2 DEC PLACE | +/- 0.15IN  |
| 3 DEC PLACE | +/- 0.05IN  |
| ANGLES      | +/- 1.0 DEG |

TITLE  
**TRIPOD PROTOTYPE  
DEPLOYED WITH NK9**

|             |        |
|-------------|--------|
| STOCK CODE  |        |
| DRAWING No. | SHEET  |
| 1           | 3 OF 3 |