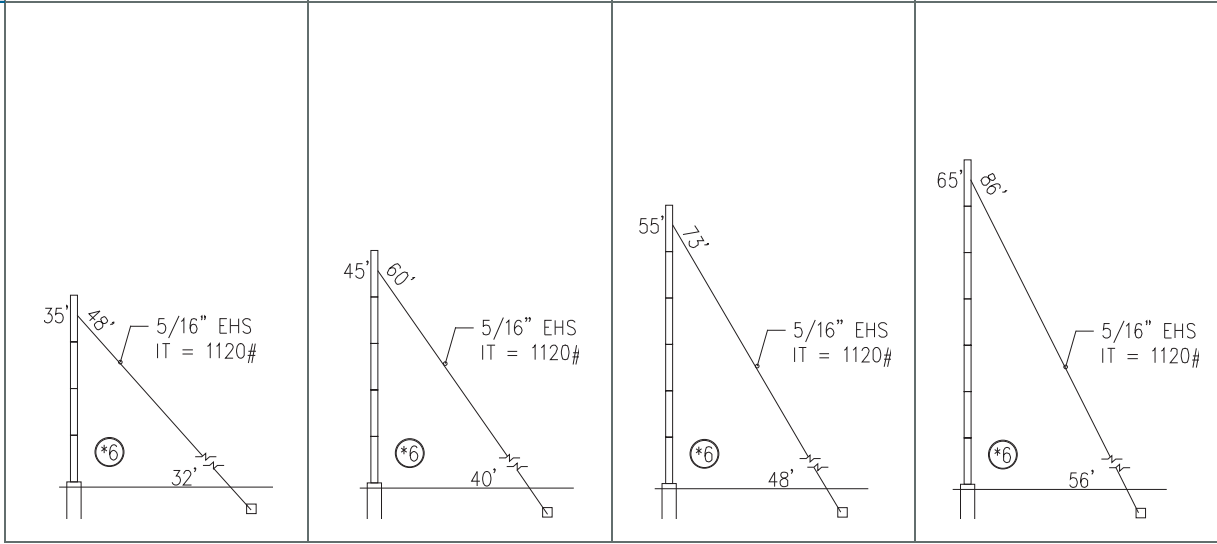
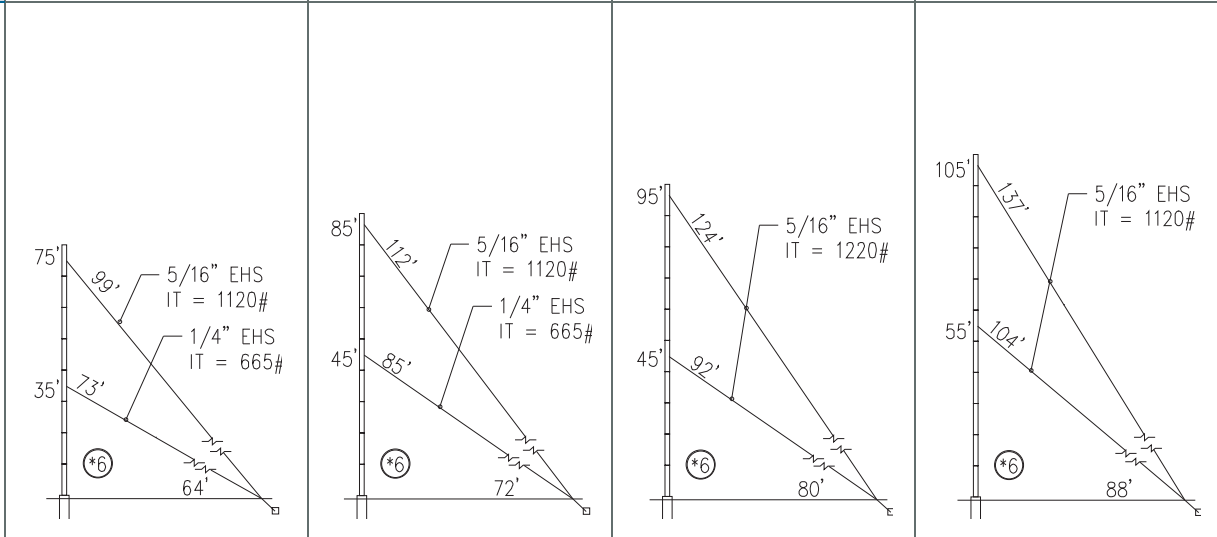


Tower Height:	40'	50'	60'	70'
Part Number	4.618.G000.040	4.618.G000.050	4.618.G000.060	4.618.G000.070
List Price	<b>\$3,703.92</b>	<b>\$4,071.00</b>	<b>\$4,439.00</b>	<b>\$4,806.08</b>
EIA 222-F* at 70/90/110mph-no ice	<b>Round: 100/54/38</b> <b>Flat: 60/32/22</b>	<b>Round: 95/53/37</b> <b>Flat: 57/31/22</b>	<b>Round: 90/52/36</b> <b>Flat: 54/31/21</b>	<b>Round: 87/51/34.5</b> <b>Flat: 52/30/20</b>
EIA 222-F* at 70/90/110mph-1/2" ice	<b>Round: 80/60/30</b> <b>Flat: 48/36/18</b>	<b>Round: 77/55/28</b> <b>Flat: 46/33/17</b>	<b>Round: 74/50/26</b> <b>Flat: 44/30/16</b>	<b>Round: 71/45/24</b> <b>Flat: 43/27/14</b>
Ship Weight	921 lbs [415 kg]	1054 lbs [474 kg]	1191 lbs [536 kg]	1324 lbs [596 kg]
Ship Dim. (L"xW"xH")	1@122x60x18 + 1@60x48x30	1@122x60x18 + 1@60x48x30	1@122x60x38 + 1@60x48x38	1@122x60x38 + 1@60x48x38



Tower Height:	80'	90'	100'	110'
Part Number	4.618.G000.080	4.618.G000.090	4.618.G000.100	4.618.G000.110
List Price	<b>\$5,956.08</b>	<b>\$6,323.16</b>	<b>\$6,837.44</b>	<b>\$7,204.52</b>
EIA 222-F* at 70/90/110mph-no ice	<b>Round: 85/50/33</b> <b>Flat: 51/30/20</b>	<b>Round: 80/49/32</b> <b>Flat: 48/29/19</b>	<b>Round: 75/48/31</b> <b>Flat: 45/28/18</b>	<b>Round: 70/47/30.5</b> <b>Flat: 42/28/18</b>
EIA 222-F* at 70/90/110mph-1/2" ice	<b>Round: 69/40/22</b> <b>Flat: 41/24/13</b>	<b>Round: 67/35/20</b> <b>Flat: 40/21/12</b>	<b>Round: 64/30/18</b> <b>Flat: 38/18/11</b>	<b>Round: 61/25/14</b> <b>Flat: 37/15/8</b>
Ship Weight	1534 lbs [690 kg]	1563 lbs [703 kg]	1860 lbs [837 kg]	2104 lbs [947 kg]
Ship Dim. (L"xW"xH")	1@122x60x38 + 1@60x48x38	1@122x60x38 + 1@60x48x38	1@122x60x38 + 1@60x48x38	1@122x60x60 + 1@60x48x40

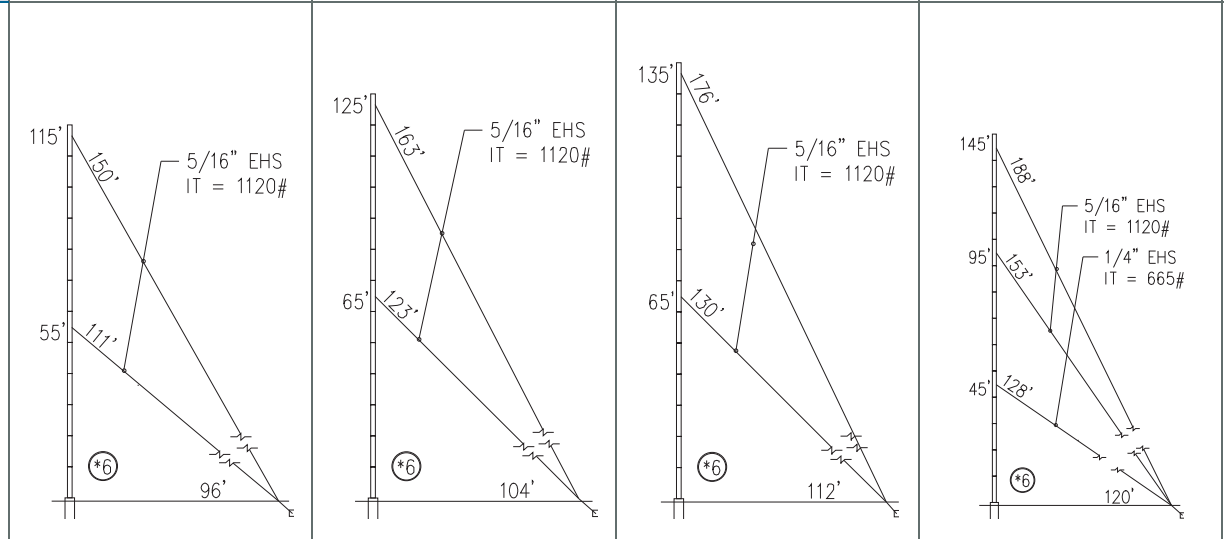


\*Wind load area (ft<sup>2</sup>). See page 99 for Wind Load Data information.

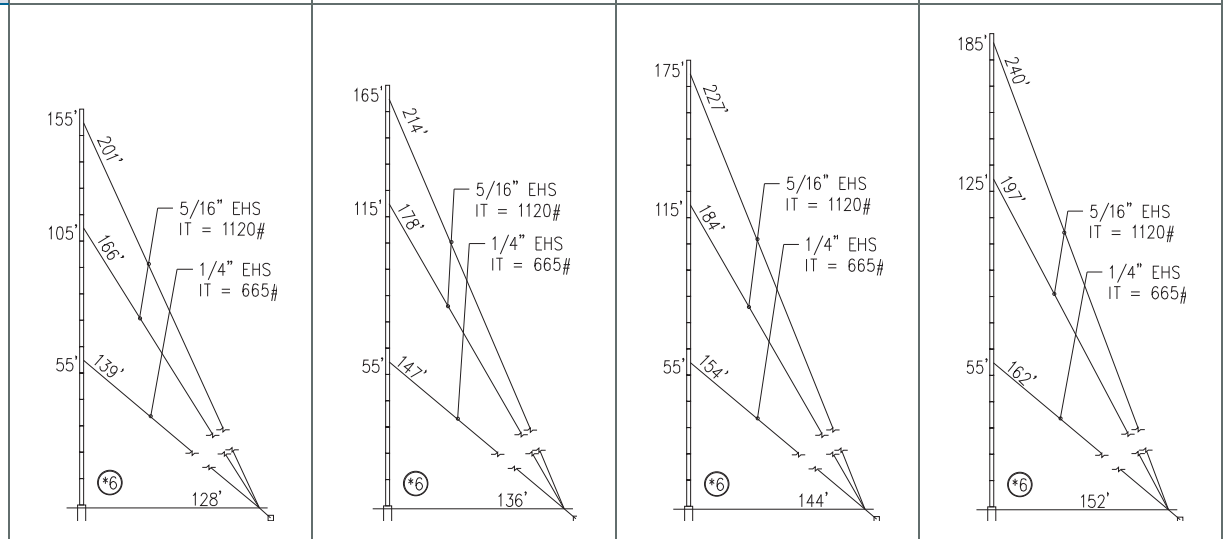
# Tower Kits



Tower Height:	120'	130'	140'	150'
Part Number	4.618.G000.120	4.618.G000.130	4.618.G000.140	4.618.G000.150
List Price	<b>\$7,571.60</b>	<b>\$7,939.60</b>	<b>\$8,306.68</b>	<b>\$9,860.56</b>
EIA 222-F* at 70/90/110mph-no ice	<b>Round: 65/46/30</b> <b>Flat: 39/27/18</b>	<b>Round: 62/45/29</b> <b>Flat: 37/27/17</b>	<b>Round: 60/44/28</b> <b>Flat: 36/26/16</b>	<b>Round: 58/43/26.5</b> <b>Flat: 34/25/15</b>
EIA 222-F* at 70/90/110mph-1/2" ice	<b>Round: 58/22/7</b> <b>Flat: 35/13/4</b>	<b>Round: 55/20/3</b> <b>Flat: 33/12/2</b>	<b>Round: 52/17/—</b> <b>Flat: 31/10/—</b>	<b>Round: 49/15/—</b> <b>Flat: 29/9/—</b>
Ship Weight	2248 lbs [1012 kg]	2391 lbs [1076 kg]	2529 lbs [1138 kg]	2777 lbs [1250 kg]
Ship Dim. (L"xW"xH")	1@122x60x60 + 1@60x48x40	1@122x60x60 + 1@60x48x42	1@122x60x60 + 1@60x48x44	1@122x60x60 + 1@60x48x46



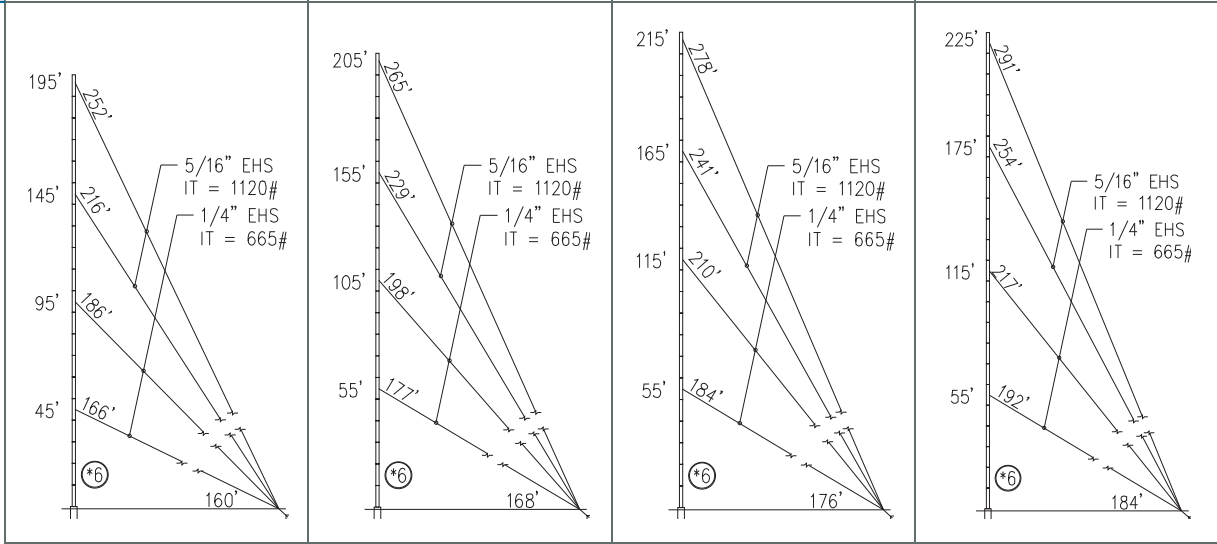
Tower Height:	160'	170'	180'	190'
Part Number	4.618.G000.160	4.618.G000.170	4.618.G000.180	4.618.G000.190
List Price	<b>\$10,228.56</b>	<b>\$10,595.64</b>	<b>\$11,266.32</b>	<b>\$11,229.52</b>
EIA 222-F* at 70/90/110mph-no ice	<b>Round: 56/42/25</b> <b>Flat: 33/25/15</b>	<b>Round: 54/41/24</b> <b>Flat: 32/24/14</b>	<b>Round: 52/40/23</b> <b>Flat: 31/24/13</b>	<b>Round: 50/39/22</b> <b>Flat: 30/23/12</b>
EIA 222-F* at 70/90/110mph-1/2" ice	<b>Round: 47/13/—</b> <b>Flat: 28/8/—</b>	<b>Round: 44/11/—</b> <b>Flat: 26/7/—</b>	<b>Round: 41/9/—</b> <b>Flat: 25/5/—</b>	<b>Round: 38/7/—</b> <b>Flat: 23/4/—</b>
Ship Weight	2924 lbs [1316 kg]	3070 lbs [1382 kg]	3217 lbs [1448 kg]	3363 lbs [1514 kg]
Ship Dim. (L"xW"xH")	1@122x60x60 + 1@60x48x48	2@122x60x60	2@122x60x60	2@122x60x60



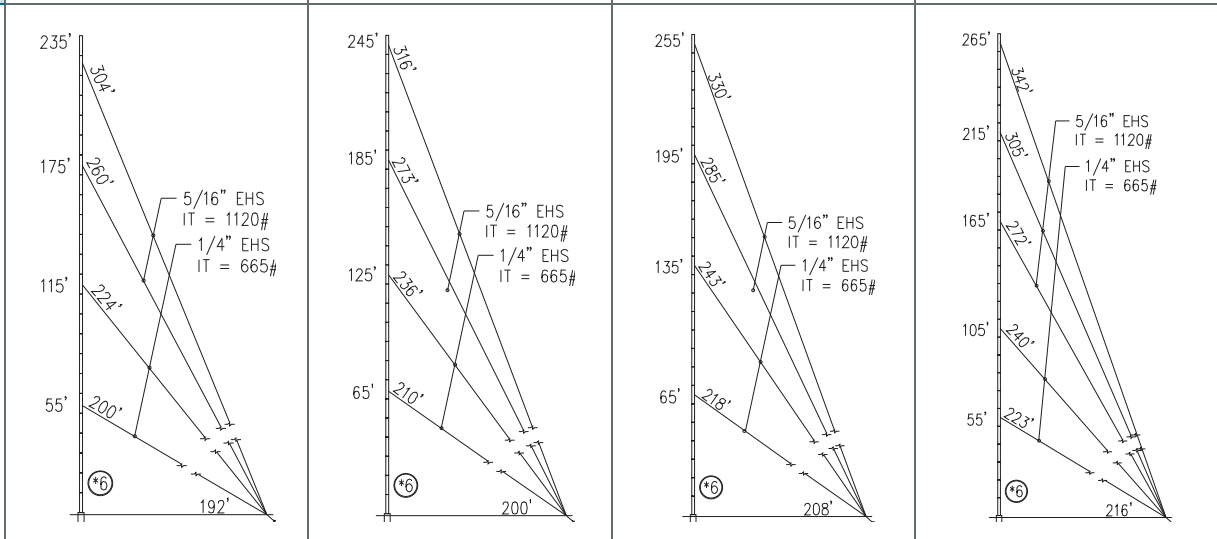
\*Wind load area (ft²). See page 99 for Wind Load Data information.



Tower Height:	200'	210'	220'	230'
Part Number	4.618.G000.200	4.618.G000.210	4.618.G000.220	4.618.G000.230
List Price	<b>\$13,270.08</b>	<b>\$13,638.08</b>	<b>\$14,005.16</b>	<b>\$14,372.24</b>
EIA 222-F* at 70/90/110mph-no ice	<b>Round: 49/38/21</b> <b>Flat: 29/22/12</b>	<b>Round: 48/37.5/20</b> <b>Flat: 28/22/12</b>	<b>Round: 47/37/19</b> <b>Flat: 28/22/11</b>	<b>Round: 46/36/18</b> <b>Flat: 27/21/10</b>
EIA 222-F* at 70/90/110mph-1/2" ice	<b>Round: 36/5/—</b> <b>Flat: 22/3/—</b>	<b>Round: 34/—/—</b> <b>Flat: 20/—/—</b>	<b>Round: 31/—/—</b> <b>Flat: 19/—/—</b>	<b>Round: 28/—/—</b> <b>Flat: 17/—/—</b>
Ship Weight	3658 lbs [1646 kg]	3912 lbs [1761 kg]	4070 lbs [1832 kg]	4219 lbs [1899 kg]
Ship Dim. (L"xW"xH")	2@122x60x60	2@122x60x60	2@122x60x60	2@122x60x60



Tower Height:	240'	250'	260'	270'
Part Number	4.618.G000.240	4.618.G000.250	4.618.G000.260	4.618.G000.270
List Price	<b>\$14,740.24</b>	<b>\$15,815.72</b>	<b>\$16,182.80</b>	<b>\$17,883.88</b>
EIA 222-F* at 70/90/110mph-no ice	<b>Round: 45/35/16</b> <b>Flat: 27/21/9</b>	<b>Round: 44/34.5/15</b> <b>Flat: 26/20/9</b>	<b>Round: 43/34/13</b> <b>Flat: 25/20/7</b>	<b>Round: 42/33/12</b> <b>Flat: 25/19/7</b>
EIA 222-F* at 70/90/110mph-1/2" ice	<b>Round: 25/—/—</b> <b>Flat: 15/—/—</b>	<b>Round: 22/—/—</b> <b>Flat: 13/—/—</b>	<b>Round: 20/—/—</b> <b>Flat: 12/—/—</b>	<b>Round: 17/—/—</b> <b>Flat: 10/—/—</b>
Ship Weight	4360 lbs [1962 kg]	4513 lbs [2058 kg]	4671 lbs [2102 kg]	5052 lbs [2274 kg]
Ship Dim. (L"xW"xH")	2@122x60x60	2@122x60x60	2@122x60x60	2@122x60x60

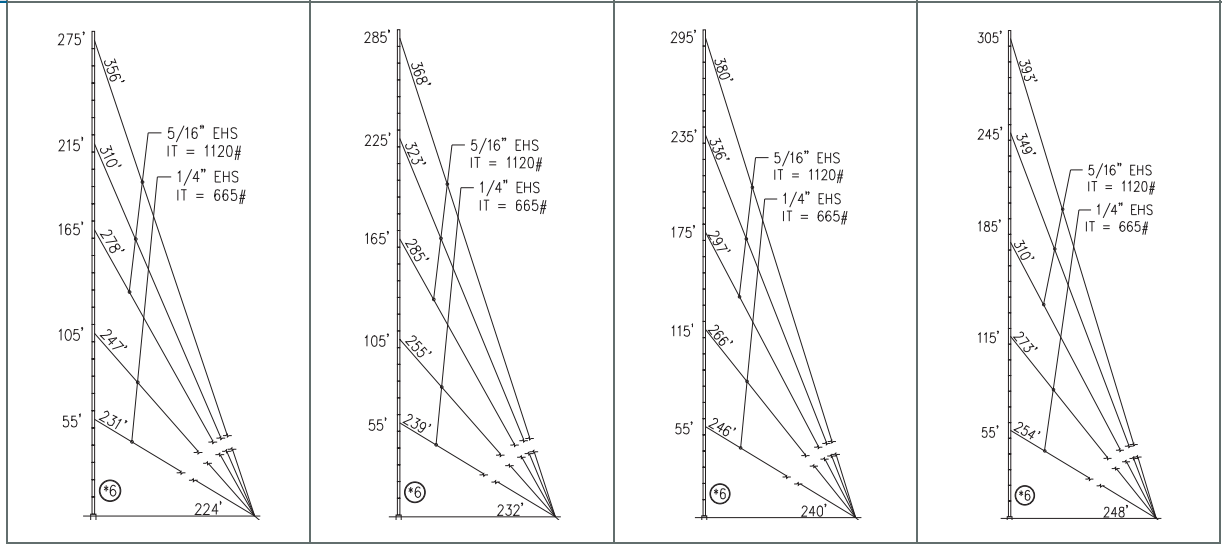


\*Wind load area (ft<sup>2</sup>). See page 99 for Wind Load Data information.

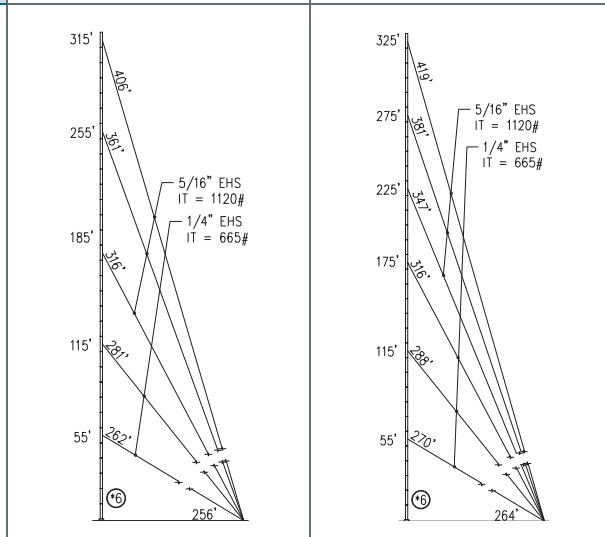
# Tower Kits



Tower Height:	280'	290'	300'	310'
Part Number	4.618.G000.280	4.618.G000.290	4.618.G000.300	4.618.G000.310
List Price	<b>\$18,251.88</b>	<b>\$19,023.76</b>	<b>\$18,986.04</b>	<b>\$19,353.12</b>
EIA 222-F* at 70/90/110mph-no ice	<b>Round: 41/32/15</b> <b>Flat: 24/18/6</b>	<b>Round: 40/31/14.5</b> <b>Flat: 24/18/3</b>	<b>Round: 39/30/14</b> <b>Flat: 23/16/3</b>	<b>Round: 38/26/—</b> <b>Flat: 22/15/—</b>
EIA 222-F* at 70/90/110mph-1/2" ice	<b>Round: 14/—/—</b> <b>Flat: 8/—/—</b>	<b>Round: 12/—/—</b> <b>Flat: 7/—/—</b>	<b>Round: 8/—/—</b> <b>Flat: 5/—/—</b>	<b>Round: 6/—/—</b> <b>Flat: 4/—/—</b>
Ship Weight	5207 lbs [2343 kg]	5363 lbs [2414 kg]	5521 lbs [2485 kg]	5782 lbs [2602 kg]
Ship Dim. (L"xW"xH")	2@122x60x60	2@122x60x60	2@122x60x60	2@122x60x60

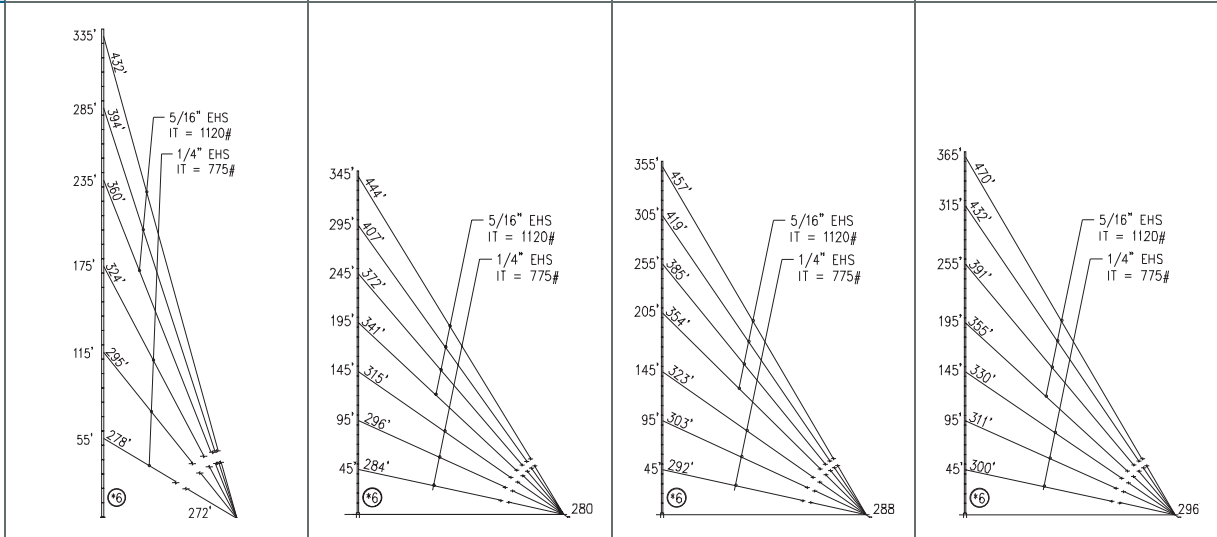


Tower Height:	320'	330'
Part Number	4.618.G000.320	4.618.G000.330
List Price	<b>\$20,125.92</b>	<b>\$21,597.00</b>
EIA 222-F* at 70/90/110mph-no ice	<b>Round: 37/2/—</b> <b>Flat: 22/15/—</b>	<b>Round: 36/24/—</b> <b>Flat: 21/14/—</b>
EIA 222-F* at 70/90/110mph-1/2" ice	<b>Round: 4/—/—</b> <b>Flat: 2/—/—</b>	<b>Round: —/—/—</b> <b>Flat: —/—/—</b>
Ship Weight	5938 lbs [2672 kg]	6292 lbs [2832 kg]
Ship Dim. (L"xW"xH")	2@122x60x60 + 1@60x48x48	2@122x60x60 + 1@122x60x24

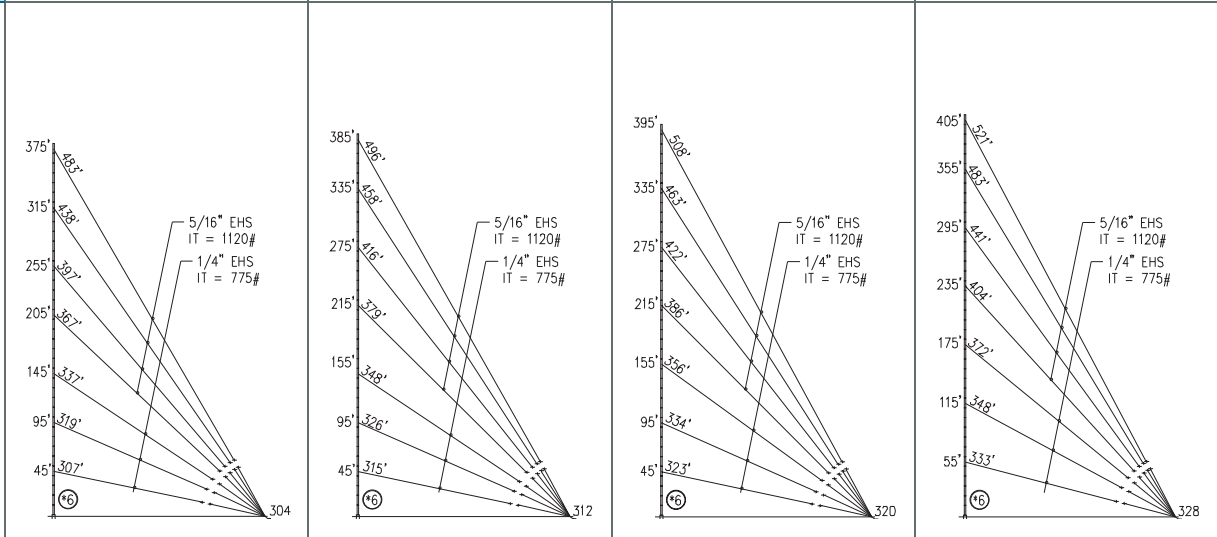


\*Wind load area (ft²). See page 99 for Wind Load Data information.

Tower Height:	340'	350'	360'	370'
Part Number	4.618.G000.340	4.618.G000.350	4.618.G000.360	4.618.G000.370
List Price	<b>\$21,964.08</b>	<b>\$24,070.88</b>	<b>\$24,437.96</b>	<b>\$24,805.04</b>
EIA 222-F* at 70/90/110mph-no ice	<b>Round: 35/23/—</b> <b>Flat: 21/13/—</b>	<b>Round: 34/22/—</b> <b>Flat: 20/13/—</b>	<b>Round: 33/21/—</b> <b>Flat: 19/12/—</b>	<b>Round: 32/20/—</b> <b>Flat: 19/12/—</b>
EIA 222-F* at 70/90/110mph-1/2" ice	<b>Round: —/—/—</b> <b>Flat: —/—/—</b>	<b>Round: —/—/—</b> <b>Flat: —/—/—</b>	<b>Round: —/—/—</b> <b>Flat: —/—/—</b>	<b>Round: —/—/—</b> <b>Flat: —/—/—</b>
Ship Weight	6456 lbs [2905 kg]	6892 lbs [3102 kg]	7067 lbs [3180 kg]	7225 lbs [3252 kg]
Ship Dim. (L"xW"xH")	2@122x60x60 + 1@122x60x24	2@122x60x60 + 1@122x60x24	2@122x60x60 + 1@122x60x24	2@122x60x60 + 1@122x60x24



Tower Height:	380'	390'	400'	410'
Part Number	4.618.G000.380	4.618.G000.390	4.618.G000.400	4.618.G000.410
List Price	<b>\$25,475.72</b>	<b>\$26,248.52</b>	<b>\$26,615.60</b>	<b>\$27,286.28</b>
EIA 222-F* at 70/90/110mph-no ice	<b>Round: 31/19/—</b> <b>Flat: 18/11/—</b>	<b>Round: 30/18/—</b> <b>Flat: 18/10/—</b>	<b>Round: 29/17/—</b> <b>Flat: 17/10/—</b>	<b>Round: 28/—/—</b> <b>Flat: 16/—/—</b>
EIA 222-F* at 70/90/110mph-1/2" ice	<b>Round: —/—/—</b> <b>Flat: —/—/—</b>	<b>Round: —/—/—</b> <b>Flat: —/—/—</b>	<b>Round: —/—/—</b> <b>Flat: —/—/—</b>	<b>Round: —/—/—</b> <b>Flat: —/—/—</b>
Ship Weight	7389 lbs [3325 kg]	7569 lbs [3406 kg]	7728 lbs [3478 kg]	7920 lbs [3564 kg]
Ship Dim. (L"xW"xH")	2@122x60x60 + 1@122x60x38	2@122x60x60 + 1@122x60x38	2@122x60x60 + 1@122x60x38	2@122x60x60 + 1@122x60x38

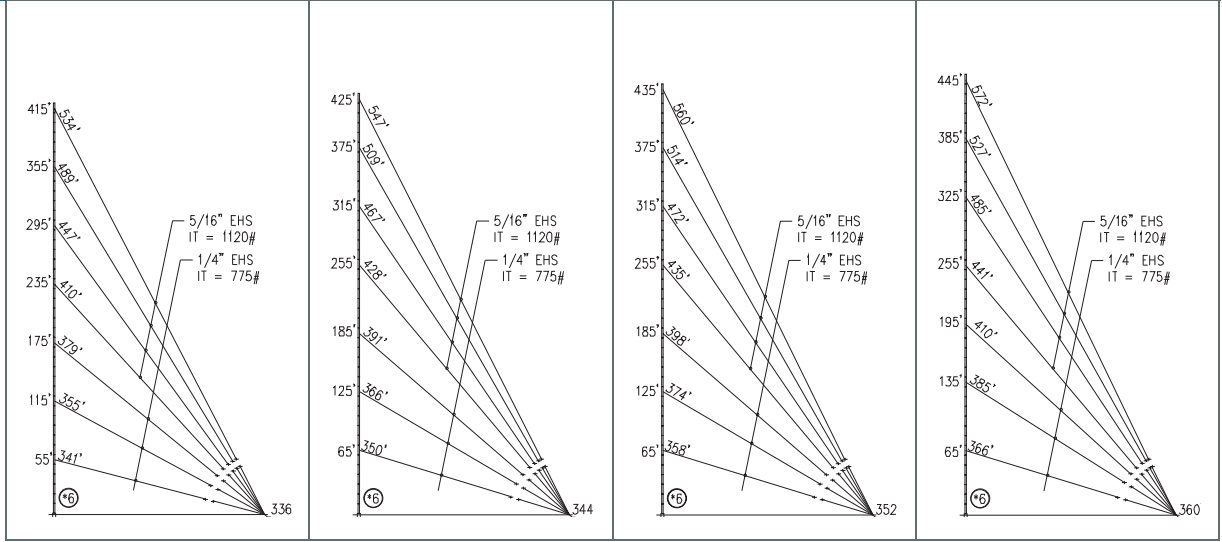


\*Wind load area (ft<sup>2</sup>). See page 99 for Wind Load Data information.

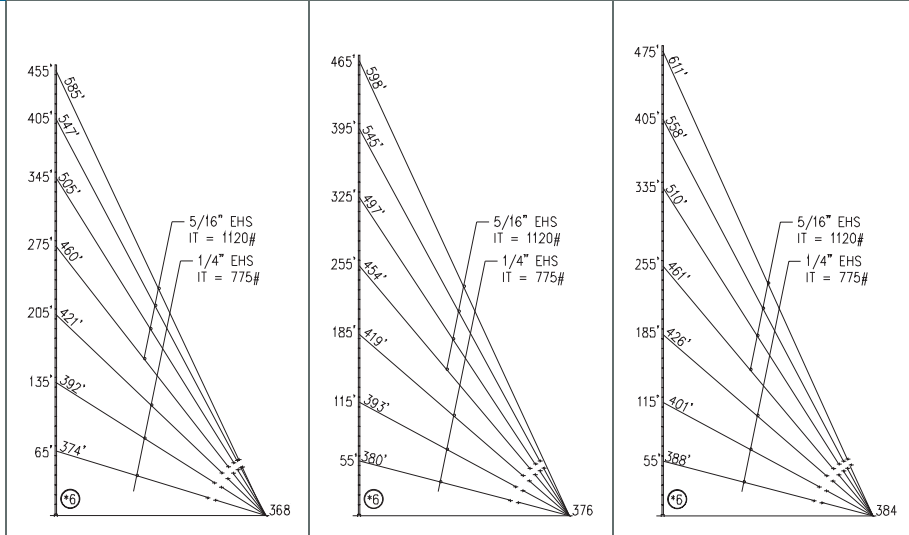
# Tower Kits



Tower Height:	420'	430'	440'	450'
Part Number	4.618.G000.420	4.618.G000.430	4.618.G000.440	4.618.G000.450
List Price	<b>\$27,654.28</b>	<b>\$28,426.16</b>	<b>\$29,602.84</b>	<b>\$29,970.84</b>
EIA 222-F* at 70/90/110mph-no ice	<b>Round: 27/—/—</b> <b>Flat: 16/—/—</b>	<b>Round: 26/—/—</b> <b>Flat: 15/—/—</b>	<b>Round: 25/—/—</b> <b>Flat: 15/—/—</b>	<b>Round: 24/—/—</b> <b>Flat: 14/—/—</b>
EIA 222-F* at 70/90/110mph-1/2" ice	<b>Round: —/—/—</b> <b>Flat: —/—/—</b>	<b>Round: —/—/—</b> <b>Flat: —/—/—</b>	<b>Round: —/—/—</b> <b>Flat: —/—/—</b>	<b>Round: —/—/—</b> <b>Flat: —/—/—</b>
Ship Weight	8078 lbs [3635 kg]	8267 lbs [3721 kg]	8420 lbs [3789 kg]	8592 lbs [3867 kg]
Ship Dim. (L"xW"xH")	2@122x60x60 + 1@122x60x38	2@122x60x60 + 1@122x60x54	2@122x60x60 + 1@122x60x54	2@122x60x60 + 1@122x60x54



Tower Height:	460'	470'	480'
Part Number	4.618.G000.460	4.618.G000.470	4.618.G000.480
List Price	<b>\$30,337.92</b>	<b>\$30,705.00</b>	<b>\$31,072.08</b>
EIA 222-F* at 70/90/110mph-no ice	<b>Round: 23/—/—</b> <b>Flat: 13/—/—</b>	<b>Round: 22/—/—</b> <b>Flat: 13/—/—</b>	<b>Round: 21/—/—</b> <b>Flat: 12/—/—</b>
EIA 222-F* at 70/90/110mph-1/2" ice	<b>Round: —/—/—</b> <b>Flat: —/—/—</b>	<b>Round: —/—/—</b> <b>Flat: —/—/—</b>	<b>Round: —/—/—</b> <b>Flat: —/—/—</b>
Ship Weight	8778 lbs [3950 kg]	8908 lbs [4009 kg]	9077 lbs [4085 kg]
Ship Dim. (L"xW"xH")	2@122x60x60 + 1@122x60x54	2@122x60x60 + 1@122x60x54	3@122x60x60 + 1@60x48x60

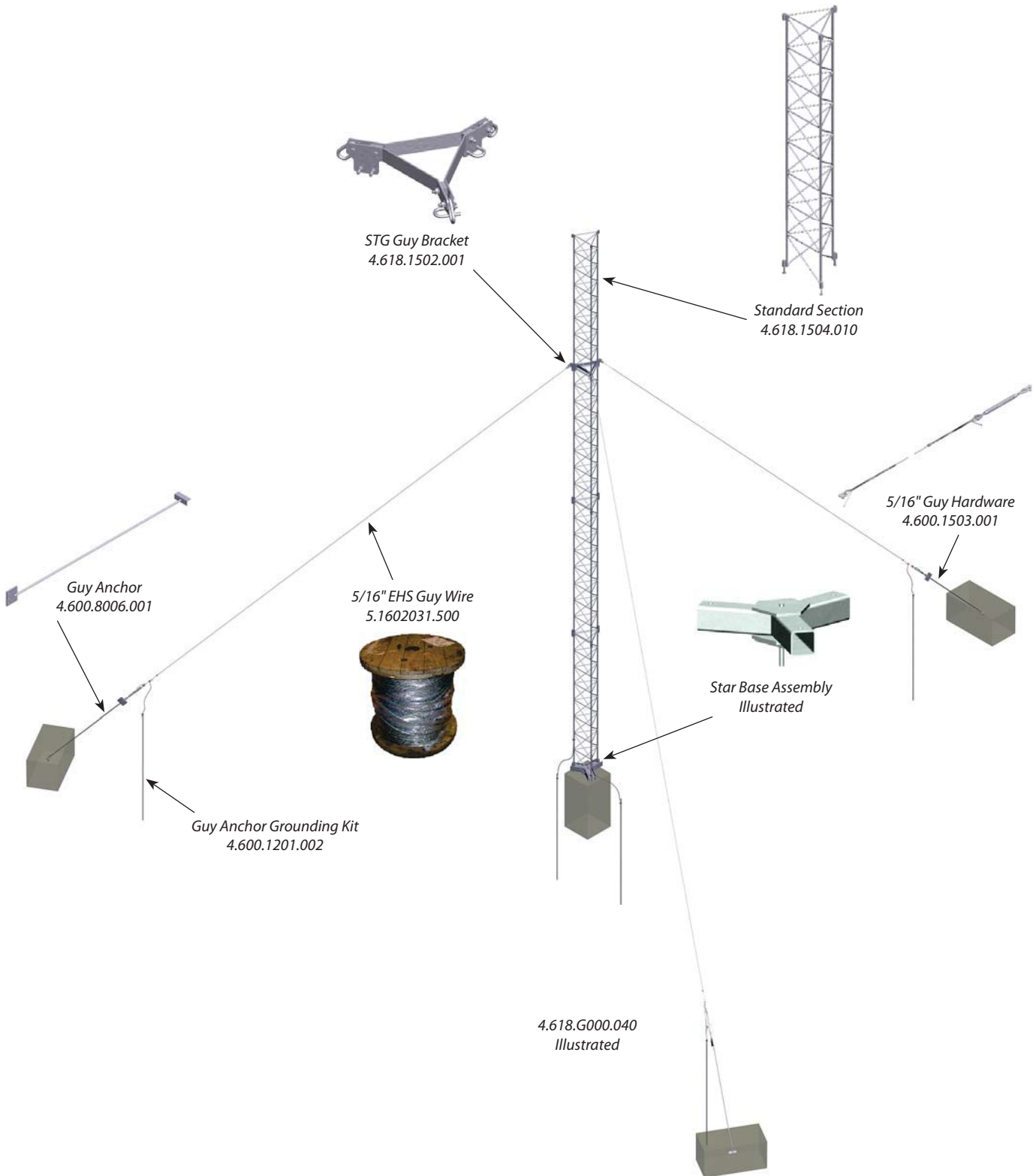


\*Wind load area (ft<sup>2</sup>). Allowable antenna area for round member antennas at 70/90/110mph wind speeds with no ice; designed in accordance with national standard ANSI/EIA 222; and based on loads being centrally located and balanced over the tower top. For flat plate equivalent (FPE) areas, divide by a factor of 1.5.





# SuperTITAN Guyed™ Kits

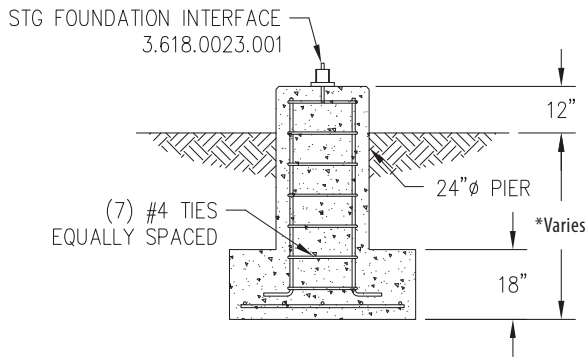
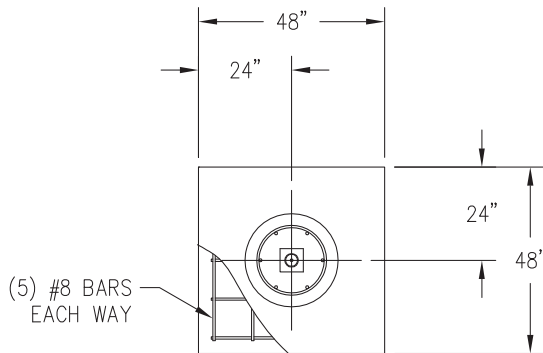


# Concrete Foundation Details



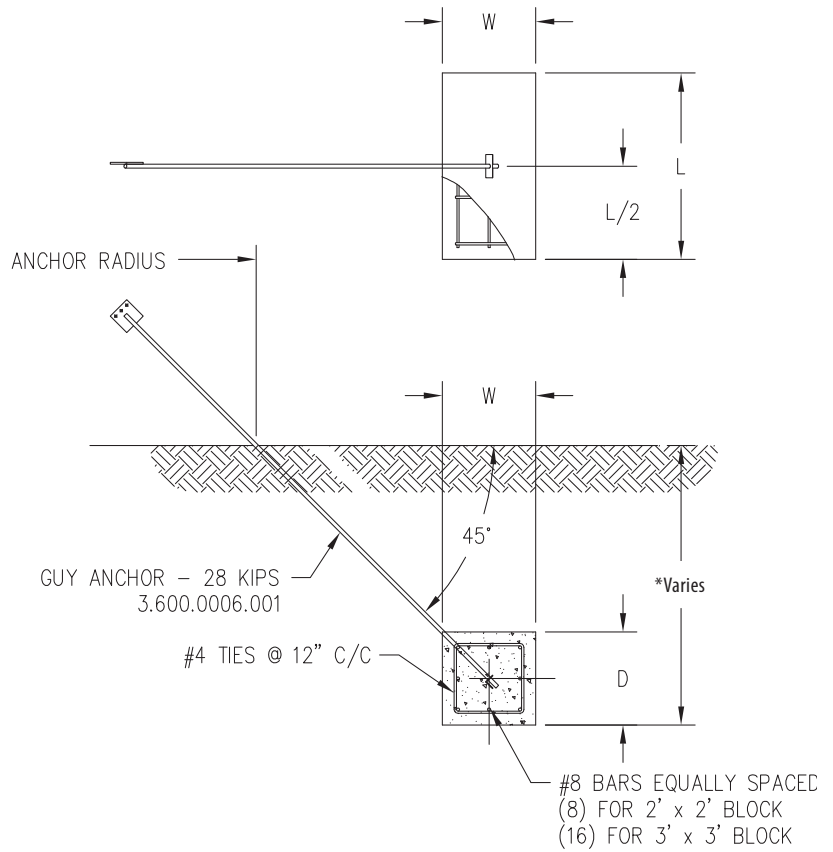
(Normal dry soil)

Please email [info@trylon.com](mailto:info@trylon.com) for full installation manual.



**BASE FOUNDATION**  
TYPE A PIER FOUNDATION  
(1) REQUIRED

\* Note: Please contact Trylon for frost depth information.




**ANCHOR FOUNDATION**  
(3) REQUIRED





FOUNDATION TYPE	DIMENSIONS				MAX LOAD (LBS)		
	W	D	L	L/2	AXIAL	HORIZ	VERT
B	3'	3'	11'	5.5'	28,000	20,000	20,000
C	3'	3'	8'	4'	21,000	15,000	15,000
D	2'	2'	6'	3'	14,000	10,000	10,000
E	2'	2'	4'	2'	7,000	5,000	5,000



Description:	5/16" x 500' EHS Guy Wire	5/16" x 1000' EHS Guy Wire	1/4" x 500' EHS Guy Wire	1/4" x 1000' EHS Guy Wire
Part Number	5.1602031.500	5.1602031.1000	5.1602030.500	5.1602030.1000
List Price	<b>\$397.44</b>	<b>\$794.88</b>	<b>\$298.08</b>	<b>\$596.16</b>
				

Description:	1/4" Guy Hardware	5/16" Guy Hardware	3/8" Thimble <i>(for use with 1/4" and 5/16" EHS)</i>	7/16" Shackle <i>(for use with 1/4" and 5/16" EHS)</i>
Part Number	4.600.1502.001	4.600.1503.001	5.1601650	5.1601600
List Price	<b>\$81.88</b>	<b>\$96.60</b>	<b>\$4.88</b>	<b>\$6.35</b>
				

Description:	1/4" Big Grip <i>(for use with 1/4" EHS)</i>	5/16" Big Grip <i>(for use with 5/16" EHS)</i>	Hose Clamp <i>(for 3/16", 1/4", and 5/16" EHS)</i>	1/4" End Sleeve <i>(for use with 1/4" EHS)</i>
Part Number	5.1607047	5.1607048	5.2204020	5.1607077
List Price	<b>\$17.48</b>	<b>\$23.90</b>	<b>\$2.39</b>	<b>\$12.88</b>
				

Description:	5/16" End Sleeve <i>(for use with 5/16" EHS)</i>	1/2" x 12" Turnbuckle <i>(for use with 3/16" and 1/4" EHS)</i>	5/8" x 12" Turnbuckle <i>(for use with 5/16" EHS)</i>	1/4" U-Bolt Clip
Part Number	5.1607078	5.1601700	5.1601705	5.1601302
List Price	<b>\$11.04</b>	<b>\$28.52</b>	<b>\$38.64</b>	<b>\$3.13</b>
				

# Accessories – Lighting



**Basic Light Kit** (dual obstruction red lights, non-alarmed, steady burning, no photocell, c/w lights, cable, connectors, ty wraps, etc.)

Part Number	Description	List Price	Ship Wt. (lbs)*	Image
4.93.0200.150	Basic DOL Light Kit, 0 to 150' towers	<b>\$1764.00</b>	60	

\* Packaging includes three pieces: one box with lights only (20"L x 8"W x 10"H), one reel of tech cable (24"OD x 12"H), and one box of all other components (8"L x 8"W x 16"H).

**Light Kit with Photocell** (non-alarmed, c/w red lights, cable, connectors, ty wraps, etc.)

Part Number	Description	List Price	Ship Wt. (lbs)	Image
4.93.STGP.150	0-150' DOL Light Kit	<b>\$2195.00</b>	90	
4.93.STGP.350	151-350' Beacon Light Kit	<b>\$9555.00</b>	200	
4.93.STGP.480	351-480' Beacon Light Kit	<b>\$21606.00</b>	300	

**Light Kit with Alarmed Controller and Photocell** (c/w red lights, cable, connectors, ty wraps, etc.)




Part Number	Description	List Price	Ship Wt. (lbs)	Image
4.93.STGA.150	0-150' DOL Light Kit	<b>\$3072.00</b>	90	
4.93.STGA.350	151-350' Beacon Light Kit	<b>\$9501.00</b>	200	
4.93.STGA.480	351-480' Beacon Light Kit	<b>\$21729.00</b>	300	




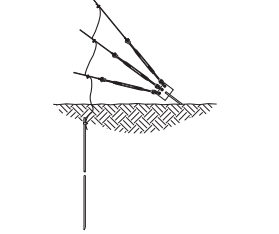
**White Strobe Light Kit** (medium intensity, c/w cable, connectors, etc., no mid DOL)

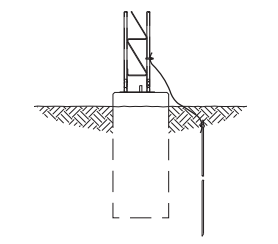
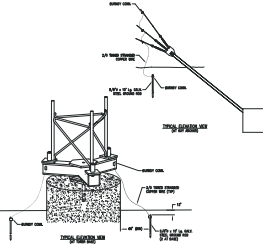

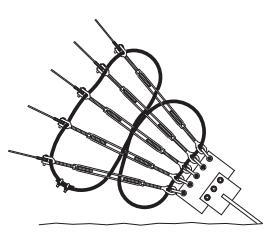
Part Number	Description	List Price	Ship Wt. (lbs)	Image
4.93.STGW.150	STG White Strobe Kit, 0 to 150' towers	<b>\$9139.00</b>	157	
4.93.STGW.250	STG White Strobe Kit, 151' to 250' towers	<b>\$9473.00</b>	203	

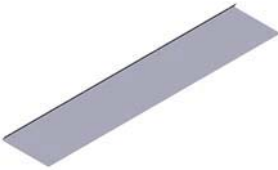



**48VDC LED Light Kit with Photocell** (ideal for sites powered by solar energy)

Part Number	Description	List Price	Ship Wt. (lbs)	Image
4.93.LED1.150	0'-150' LED dual obstruction light kit, photocell, no SOL	<b>\$2239.00</b>	150	
4.93.LED3.200	160'-190' LED beacon light kit, photocell, two LED SOL	<b>\$4116.00</b>	180	

Description:	STG Splice Kit	STG Guy Bracket Assembly	STG Torsion Resistor	Guy Anchor (28 kips)
Part Number	4.618.1501.001	4.618.1502.001	4.618.2101.001	4.600.8006.001
List Price	<b>\$12.88</b>	<b>\$165.60</b>	<b>\$307.00</b>	<b>\$110.40</b>
				


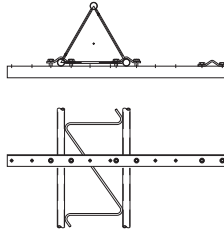

Description:	5 Guy Elevation Expansion Kit	7 Guy Elevation Expansion Kit	Guy Rock Anchor (4' shaft)	Guy Anchor Grounding Kit
Part Number	4.600.0602.001	4.600.0602.002	4.600.0603.004	4.600.1201.002
List Price	<b>\$26.68</b>	<b>\$33.12</b>	<b>\$462.76</b>	<b>\$120.52</b>
				

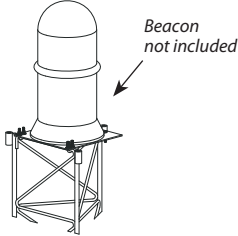
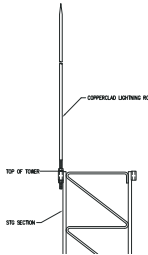

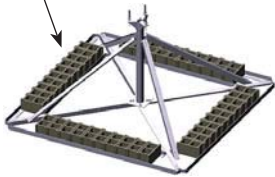
Description:	Tower Base Grounding Kit	2-Leg Grounding EIA Compliant	Ground Connector	Turnbuckle Anti-Rotation
Part Number	4.600.1201.001	4.91.0103.004	5.1303086	4.600.1506.001
List Price	<b>\$65.32</b>	<b>\$1,740.64</b>	<b>\$21.25</b>	<b>\$48.76</b>
				



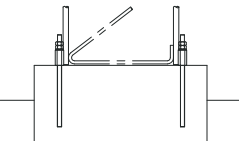
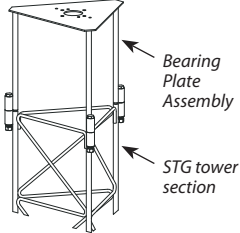
Description:	STG Anti-Climb Kit (3-pak)	HD Universal House Bracket (6"-36")	GAC303 Guy Anchor (7.5 kips)	GAW25 Wall and Roof Mount
Part Number	4.618.3601.001	4.600.5401.001	4.600.8001.001	4.600.5403.001
List Price	<b>\$316.48</b>	<b>\$228.16</b>	<b>\$78.20</b>	<b>\$65.00</b>
				


# Accessories

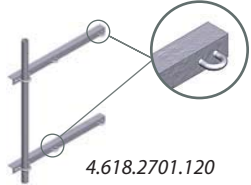







Description:	STG Work Platform	25T/STG–Site Warning Package	Side Arm Bracket–1 Level	Side Arm Bracket–2 Level
Part Number	4.618.1801.001	4.600.7201.001	4.600.2701.001	4.600.2702.001
List Price	<b>\$669.00</b>	<b>\$12.00</b>	<b>\$79.00</b>	<b>\$186.00</b>
		<p><b>WARNING</b></p> <p>This structure must be installed, climbed, modified, and dismantled only by a professional tower installation company. Climbing or working on this structure is dangerous and can cause serious injury or death.</p> <ul style="list-style-type: none"> <li>Follow all safety instructions provided with structure. Be sure you read and understand all safety information.</li> <li>Follow tower set-up instructions to ensure stability of tower structure. Load limit information must be maintained at all times.</li> <li>Follow all regulations for the structure as required by its application and its location. Follow all applicable safety regulations and codes.</li> <li>Only qualified personnel should be allowed to work on the structure. Do not allow unauthorized persons and children to climb.</li> <li>This sign must be attached to a prominent position on the structure to be easily seen by all persons entering to climb the structure. Attach during installation, and keep on the structure for the life of the structure. It is essential to show sign and all other safety information during the entire process of the work.</li> <li>If this sign should become obscured in any way, contact T-1-800-TRYLON for immediate replacement.</li> </ul> <p>© 2015 T-1-800-TRYLON, Inc. All rights reserved. www.trylon.com</p>		

Description:	Beacon Plate Assembly	25T/STG Lightning Rod (5' long)	25T/STG Lightning Rod (8' long)	Ballast Roof Mount
Part Number	4.618.4201.001	4.90.0618.C05	4.600.1202.008	4.618.5102.001
List Price	<b>\$235.00</b>	<b>\$136.00</b>	<b>\$88.32</b>	<b>\$2816.00</b>
				

Description:	TB3 Thrust Bearing (supports up to 2"OD Mast)	TB4 Thrust Bearing (supports up to 3"OD Mast)	Bolted Foundation Kit	Bearing Plate
Part Number	4.600.2703.001	4.600.2704.001	4.618.0605.001	4.618.2715.001
List Price	<b>\$145.00</b>	<b>\$171.00</b>	<b>\$215.28</b>	<b>\$162.84</b>
				

Description:	EB2525T Universal Eave Bracket
Part Number	4.600.5101.001
List Price	<b>\$299.00</b>
	

Part Number	Description	List Price	Ship Weight (lbs)	Ship L'xW"xH"	Image
4.618.2701.115	STG-1' Side Arm Kit c/w 1.900"OD Pipe	<b>\$179.00</b>	32	36x6x6	 <p>4.618.2701.120</p>
4.618.2701.120	STG-1' Side Arm Kit c/w 2.375"OD Pipe	<b>\$186.00</b>	41	36x6x6	
4.618.2701.125	STG-1' Side Arm Kit c/w 2.875"OD Pipe	<b>\$193.00</b>	45	36x6x6	
4.618.2701.130	STG-1' Side Arm Kit c/w 3.500"OD Pipe	<b>\$208.00</b>	50	36x6x6	
4.618.2701.135	STG-1' Side Arm Kit c/w 4.000"OD Pipe	<b>\$242.00</b>	65	36x6x6	
4.618.2701.140	STG-1' Side Arm Kit c/w 4.500"OD Pipe	<b>\$262.00</b>	71	36x6x6	
4.618.2701.215	STG-2' Side Arm Kit c/w 1.900"OD Pipe	<b>\$185.00</b>	37	48x6x6	 <p>4.618.2701.220</p>
4.618.2701.220	STG-2' Side Arm Kit c/w 2.375"OD Pipe	<b>\$194.00</b>	46	48x6x6	
4.618.2701.225	STG-2' Side Arm Kit c/w 2.875"OD Pipe	<b>\$206.00</b>	50	48x6x6	
4.618.2701.230	STG-2' Side Arm Kit c/w 3.500"OD Pipe	<b>\$221.00</b>	55	48x6x6	
4.618.2701.235	STG-2' Side Arm Kit c/w 4.000"OD Pipe	<b>\$256.00</b>	70	48x6x6	
4.618.2701.240	STG-2' Side Arm Kit c/w 4.500"OD Pipe	<b>\$260.00</b>	76	48x6x6	
4.618.2701.315	STG-3' Side Arm Kit c/w 1.900"OD Pipe	<b>\$194.00</b>	42	60x6x6	 <p>4.618.2701.320</p>
4.618.2701.320	STG-3' Side Arm Kit c/w 2.375"OD Pipe	<b>\$208.00</b>	51	60x6x6	
4.618.2701.325	STG-3' Side Arm Kit c/w 2.875"OD Pipe	<b>\$218.00</b>	55	60x6x6	
4.618.2701.330	STG-3' Side Arm Kit c/w 3.500"OD Pipe	<b>\$233.00</b>	61	60x6x6	
4.618.2701.335	STG-3' Side Arm Kit c/w 4.000"OD Pipe	<b>\$266.00</b>	75	60x6x6	
4.618.2701.340	STG-3' Side Arm Kit c/w 4.500"OD Pipe	<b>\$273.00</b>	81	60x6x6	
4.618.2701.415	STG-4' Side Arm Kit c/w 1.900"OD Pipe	<b>\$208.00</b>	55	72x6x6	 <p>4.618.2701.420</p>
4.618.2701.420	STG-4' Side Arm Kit c/w 2.375"OD Pipe	<b>\$220.00</b>	64	72x6x6	
4.618.2701.425	STG-4' Side Arm Kit c/w 2.875"OD Pipe	<b>\$232.00</b>	68	72x6x6	
4.618.2701.430	STG-4' Side Arm Kit c/w 3.500"OD Pipe	<b>\$246.00</b>	74	72x6x6	
4.618.2701.435	STG-4' Side Arm Kit c/w 4.000"OD Pipe	<b>\$281.00</b>	88	72x6x6	
4.618.2701.440	STG-4' Side Arm Kit c/w 4.500"OD Pipe	<b>\$285.00</b>	94	72x6x6	
4.618.2701.515	STG-5' Side Arm Kit c/w 1.900"OD Pipe	<b>\$217.00</b>	62	84x6x6x	 <p>4.618.2701.520</p>
4.618.2701.520	STG-5' Side Arm Kit c/w 2.375"OD Pipe	<b>\$233.00</b>	71	84x6x6x	
4.618.2701.525	STG-5' Side Arm Kit c/w 2.875"OD Pipe	<b>\$244.00</b>	75	84x6x6x	
4.618.2701.530	STG-5' Side Arm Kit c/w 3.500"OD Pipe	<b>\$259.00</b>	80	84x6x6x	
4.618.2701.535	STG-5' Side Arm Kit c/w 4.000"OD Pipe	<b>\$294.00</b>	95	84x6x6x	
4.618.2701.540	STG-5' Side Arm Kit c/w 4.500"OD Pipe	<b>\$298.00</b>	100	84x6x6x	
4.618.2701.615	STG-6' Side Arm Kit c/w 1.900"OD Pipe	<b>\$233.00</b>	68	96x6x6	 <p>4.618.2701.620</p>
4.618.2701.620	STG-6' Side Arm Kit c/w 2.375"OD Pipe	<b>\$245.00</b>	77	96x6x6	
4.618.2701.625	STG-6' Side Arm Kit c/w 2.875"OD Pipe	<b>\$257.00</b>	81	96x6x6	
4.618.2701.630	STG-6' Side Arm Kit c/w 3.500"OD Pipe	<b>\$272.00</b>	86	96x6x6	
4.618.2701.635	STG-6' Side Arm Kit c/w 4.000"OD Pipe	<b>\$306.00</b>	101	96x6x6	
4.618.2701.640	STG-6' Side Arm Kit c/w 4.500"OD Pipe	<b>\$310.00</b>	107	96x6x6	

# Accessories



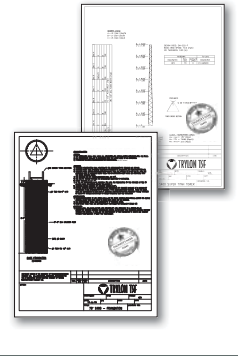
Part Number	Description	List Price	Ship Weight (lbs)	Ship L"xW"xH"	Image
4.618.2702.115	STG-Face Mount c/w 1.900"OD Pipe	<b>\$161.00</b>	38	60x6x6	<p>4.618.2702.120 Face Mount</p> <p>4.618.2702.220 Leg Mount</p>
4.618.2702.120	STG-Face Mount c/w 2.375"OD Pipe	<b>\$202.00</b>	53	60x6x6	
4.618.2702.125	STG-Face Mount c/w 2.875"OD Pipe	<b>\$223.00</b>	60	60x6x6	
4.618.2702.130	STG-Face Mount c/w 3.500"OD Pipe	<b>\$253.00</b>	69	60x6x6	
4.618.2702.135	STG-Face Mount c/w 4.000"OD Pipe	<b>\$332.00</b>	95	60x6x6	
4.618.2702.140	STG-Face Mount c/w 4.500"OD Pipe	<b>\$356.00</b>	104	60x6x6	
4.618.2702.215	STG-Leg Mount c/w 1.900"OD Pipe	<b>\$161.00</b>	37	60x6x6	
4.618.2702.220	STG-Leg Mount c/w 2.375"OD Pipe	<b>\$202.00</b>	52	60x6x6	
4.618.2702.225	STG-Leg Mount c/w 2.875"OD Pipe	<b>\$223.00</b>	59	60x6x6	
4.618.2702.230	STG-Leg Mount c/w 3.500"OD Pipe	<b>\$253.00</b>	69	60x6x6	
4.618.2702.235	STG-Leg Mount c/w 4.000"OD Pipe	<b>\$332.00</b>	94	60x6x6	
4.618.2702.240	STG-Leg Mount c/w 4.500"OD Pipe	<b>\$356.00</b>	104	60x6x6	

Cable Safety Climb Kits (OSHA approved; ANSI compliant; 3/8" aircraft)					
Part Number	Description	List Price	Ship Weight (lbs)	Ship L"xW"xH"	Image
4.99.0250.000	Cable Safety Climb Kit up to 50' STG, no slider	<b>\$378.00</b>	47	32x10x6	
4.99.0300.000	Cable Safety Climb Kit up to 100' STG, no slider	<b>\$486.00</b>	60	32x12x12	
4.99.0305.000	Cable Safety Climb Kit up to 150' STG, no slider	<b>\$594.00</b>	75	32x14x14	
4.99.0310.000	Cable Safety Climb Kit up to 200' STG, no slider	<b>\$702.00</b>	87	32x14x14	
4.99.0315.000	Cable Safety Climb Kit up to 250' STG, no slider	<b>\$810.00</b>	102	32x14x16	
4.99.0320.000	Cable Safety Climb Kit up to 300' STG, no slider	<b>\$918.00</b>	117	32x14x18	
4.99.0325.000	Cable Safety Climb Kit up to 350' STG, no slider	<b>\$1026.00</b>	129	40x40x18	
4.99.0330.000	Cable Safety Climb Kit up to 400' STG, no slider	<b>\$1134.00</b>	144	40x40x20	
4.99.0335.000	Cable Safety Climb Kit up to 450' STG, no slider	<b>\$1242.00</b>	158	40x40x20	
4.99.0340.000	Cable Safety Climb Kit up to 500' STG, no slider	<b>\$1350.00</b>	173	40x40x20	

Safety Climb Slider					
Part Number	Description	List Price	Ship Weight (lbs)	Ship L"xW"xH"	Image
4.99.0101.001	Cougar Stainless Steel Cable Slider w/ Karabiner	<b>\$378.00</b>	4	6x4x3	

Antenna Cluster Mounts					
Part Number	Description	List Price	Ship Weight (lbs)	Ship L"xW"xH"	Image
4.84.3CLS.00A	3-cluster Antenna Mount, 1.66"OD tube	<b>\$206.00</b>	40	36x8x8	<p>6-cluster Antenna Mount Illustrated</p>
4.84.6CLS.00A	6-cluster Antenna Mount, 1.66"OD tube	<b>\$413.00</b>	80	36x16x8	

**P.E. Stamped Drawings** (for all States except Alaska and Hawaii – contact Trylon for pricing on Alaskan and Hawaiian stamps)

Part Number	Description	List Price	Ship Wt. (lbs)	Image
4.77.0101.900*	P.E. Stamped Dwg: Tower profile & standard FDN	\$1,600.00	2	
4.77.0101.940**	P.E. Stamped Dwg: Special soil FDN analysis & design	\$1,600.00	2	
4.77.0101.960	P.E. Stamped Dwg: Tower profile and special soil FDN	\$2,100.00	2	

- \* To order this P.E. stamped drawing, a completed "tower loading questionnaire" must accompany your PO to Trylon's distributor. Questions include: maximum design wind speed, radial ice accumulation, projected antenna area in sq. ft., etc.
- \* For bracketed structures contact Trylon for special P.E. stamped drawing quote.
- \*\* This requires an official geotechnical soils report to be submitted along with the purchase order for this special foundation design/analysis. PO will not be accepted without geotechnical soils report for the site in question.