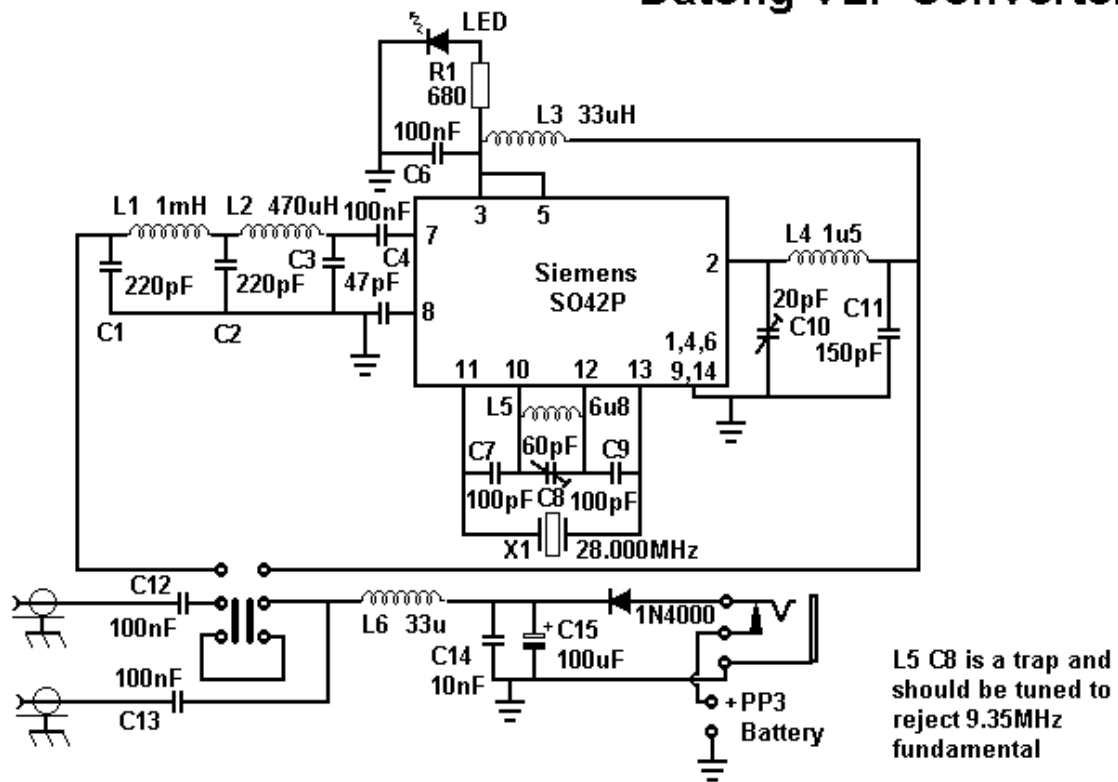


# Datong VLF Converter



L5 C8 is a trap and should be tuned to reject 9.35MHz fundamental