

ME4T-PRO 4m LINEAR TRANSVERTER

TECHNICAL DATA:

TX SECTION:

Input frequency.....	27.9-30MHz
Output frequency.....	69.9-72MHz
Drive power.....	-10..+37dBm/...0..dBm is factory set/
Output power.....	25W min.
Spurious suppression.....	> 60dB
LO frq stability @ 20C	typ < +/- 0.5ppm

RX SECTION:

Input frequency.....	69.9-72MHz
IF frequency.....	27.9-30MHz
Noise figure.....	0.8dB typ.
Conversion Gain.....	20dB typ
General Power requirements.....	13.8V DC
Current drawn on receive/transmit.....	0.35A/5A max.
LO frq stability @ 20C.....	... typ.< +/- 0.5ppm
Intercept point.....	+17dBm (+30dBm opt.)

ME4T-PRO Connection and operating instructions

Front Panel controls:

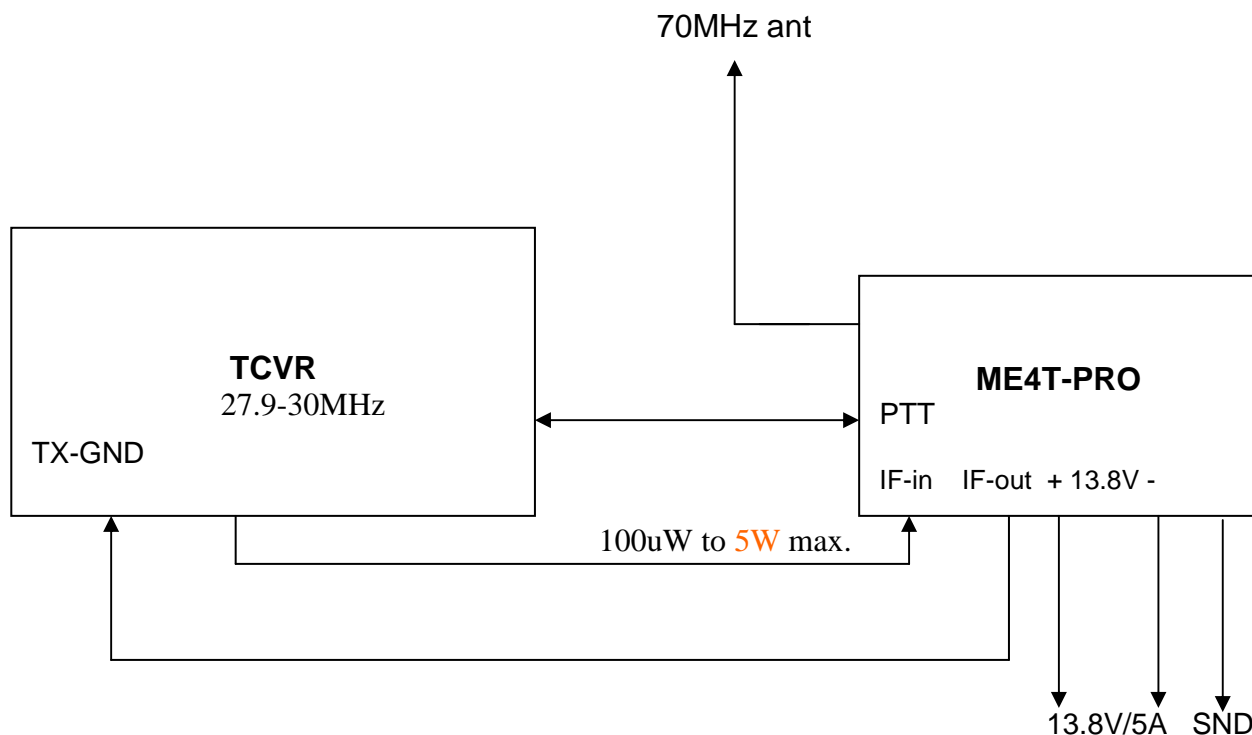
Switch „ON”	Provides power to the transverter, The „ON” LED indicator should light
PWR	Output power control
ON LED	Indicates ON status of the equipment.
RX LED	Indicates the receiving status of transverter.
TX LED	Lights when the transverter is on transmit position (PTT input is on GND)
LED Bargraph	Indicates the relative RF output power of transverter.

Rear Panel connections:

- ANT (UHF)** An UHF type connector is provided for 70MHz RF input & output.
- PTT (RCA)** This connector provides a connection to the TCVR PTT line. A ground on this line places the transverter into transmit mode.(+13.8V/30mA)
- IF in (BNC)** Apply 28MHz drive to this connector. The input level is -10...+37dBm, You can set the attenuator with jumpers.
On case single IF cable mode connector is common IF TX/RX.
- IF out (BNC)** IF (receive) output is available at this connector. Do not apply RF power to this connector!
On case single IF cable mode this connector is open.
- SND out (RCA)** Send open collector output to external PA's(50V/200mA max)
- DC SUPPLY Conn** DC connector, 20A type.

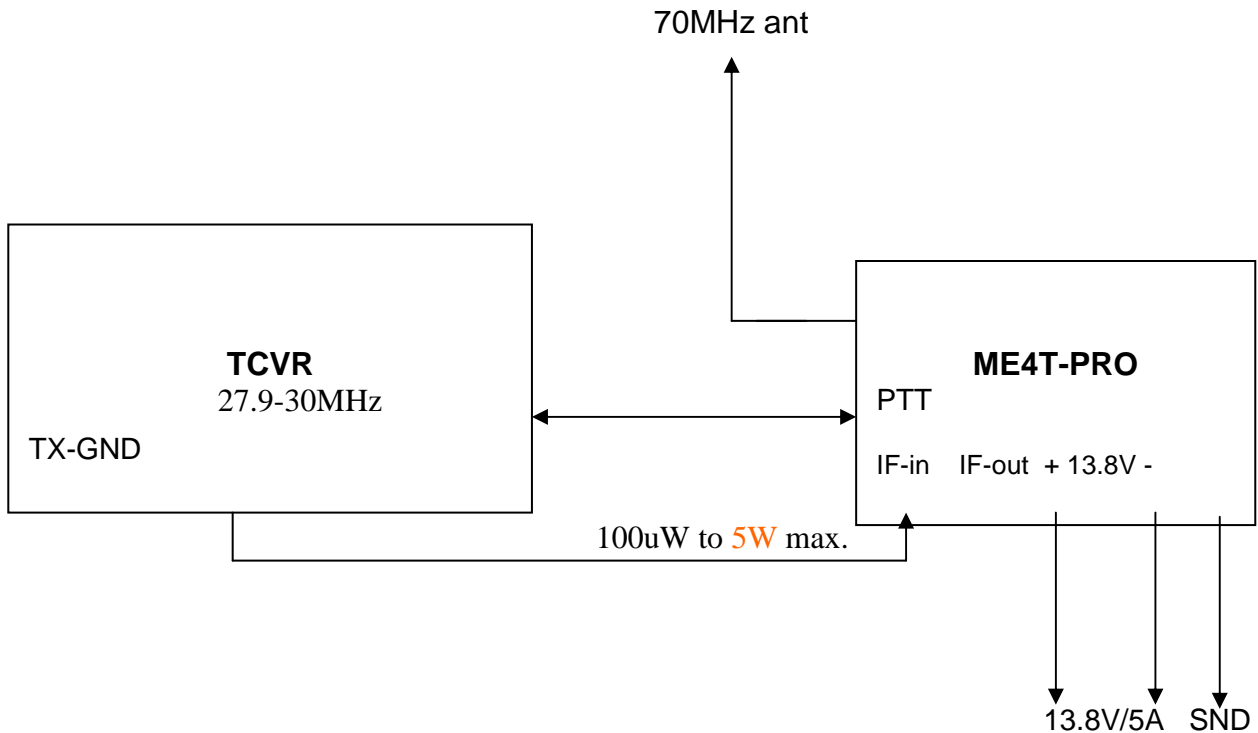
Cable connections:

Two IF cable connecting on case low or high power(max. 5W) out TCVR's



Switch OFF the PA of your TCVR or set to max 5W out!

Single cable connecting on case low or high power out TCVR's



Switch OFF the PA of your TCVR or set to max 5W out!

Using transverter with high power radio(100w) is your own risk,
NEVER use higher IF in power than 5W! Another case you will lost the warranty.

Setting of 28MHz input level:

1. Set the PWR knob to right full clockwise.
2. TX cw mode set the IF poti over the top cover slots- just up to full scale(30W) on the led bargraph.
3. You can set the output power with the PWR poti from appr. 5W to 30W output.

More technical info on: www.ha1ya.hu

Attenuator jumper settings:

Low PWR IF input (-10..+27dBm) 2x IF cable connection		Low PWR IF input (-10..+27dBm) 1x IF cable connection	
J1	ON		ON
J2	OFF		ON
J3	OFF		OFF
J4	OFF		ON
J5	ON		OFF

High PWR IF input (27..+37dBm) 2x IF cable connection		High PWR IF input (27..+37dBm) 1x IF cable connection	
J1	OFF		OFF
J2	ON		ON
J3	ON		ON
J4	OFF		ON
J5	ON		OFF

J6 ON 13.8V on RX to mast head preamplifier.(350mA max!)

The factory set is two IF cable, low PWR input (0dBm)