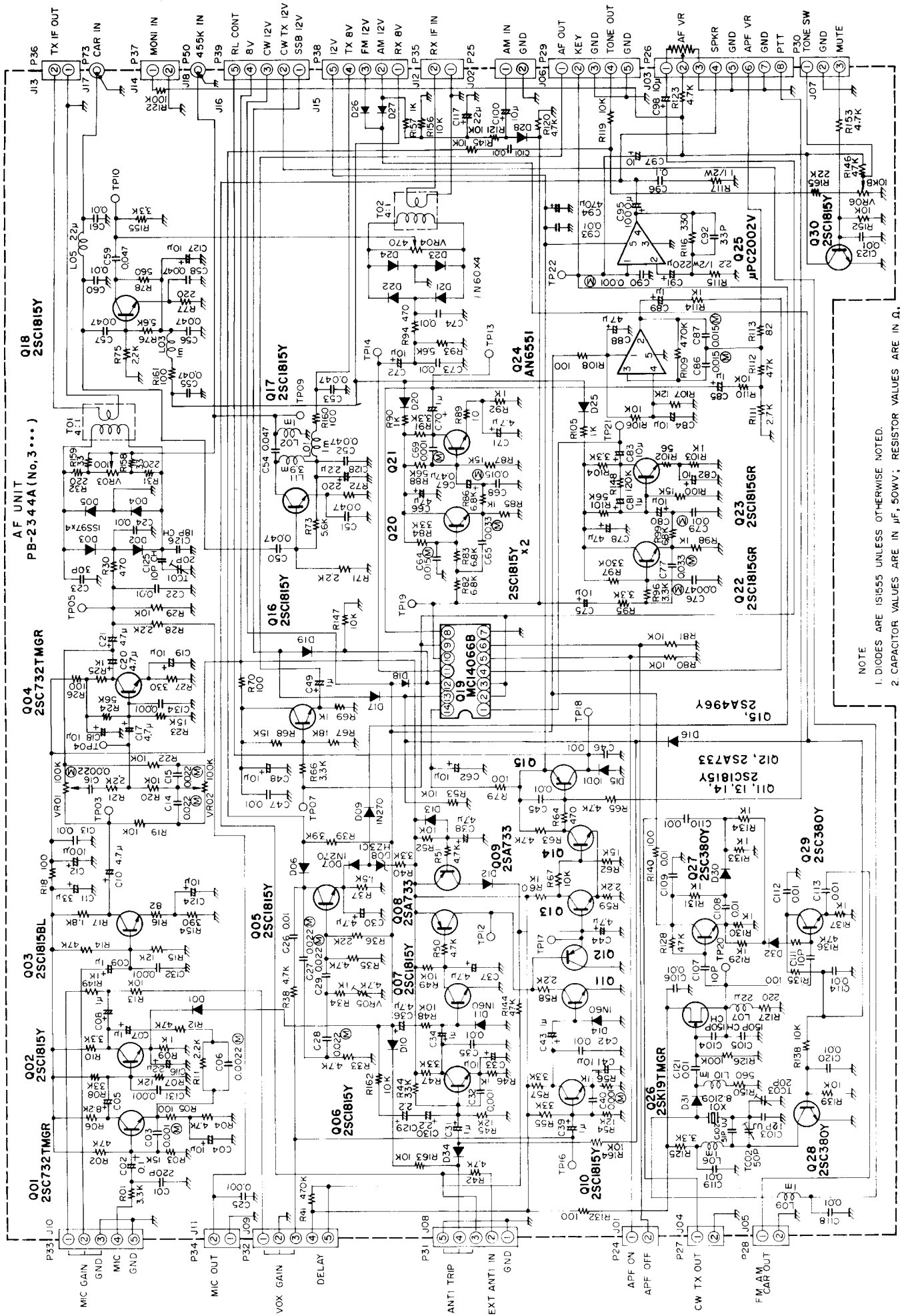
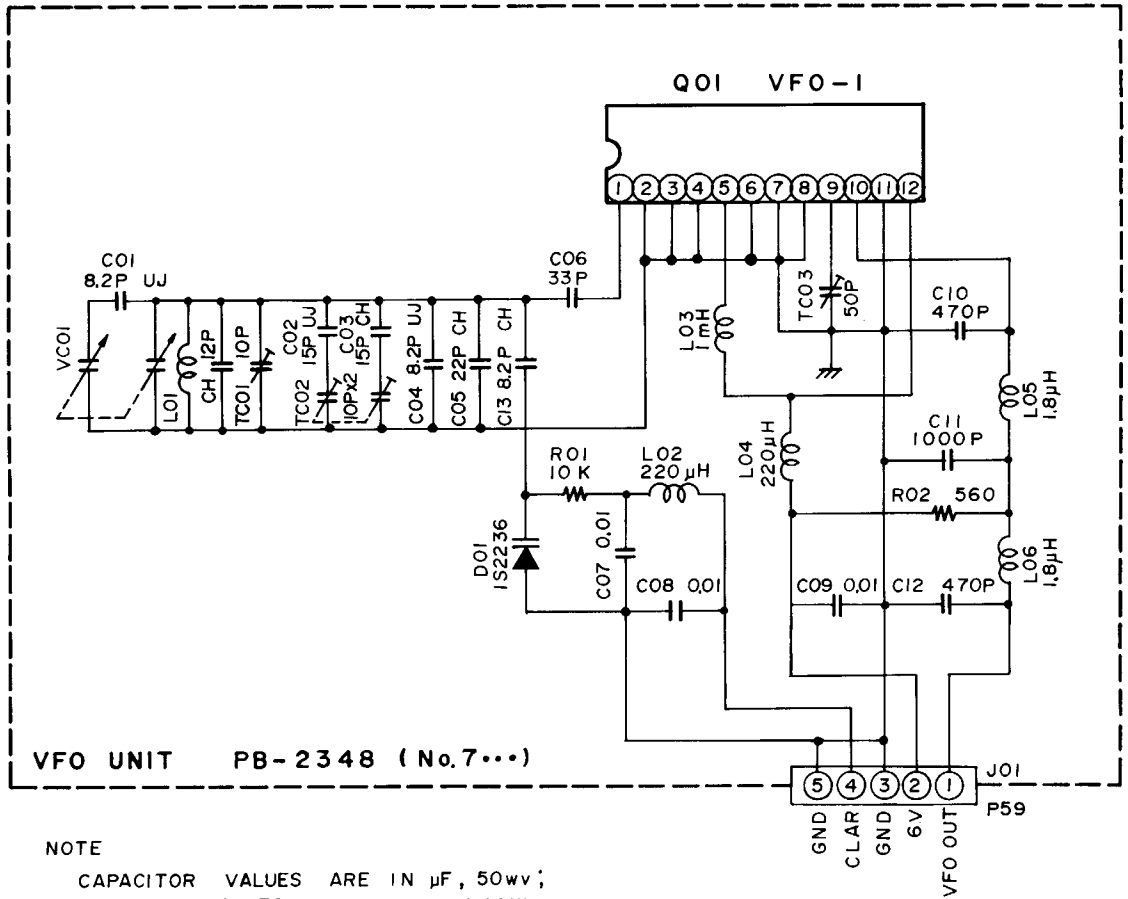


NOTE  
CAPACITOR VALUES ARE IN  $\mu$ F, 50WV; RESISTOR VALUES ARE IN  $\Omega$ , 1/4W;  
AND INDUCTOR VALUES ARE IN HENRIES UNLESS OTHERWISE NOTED.

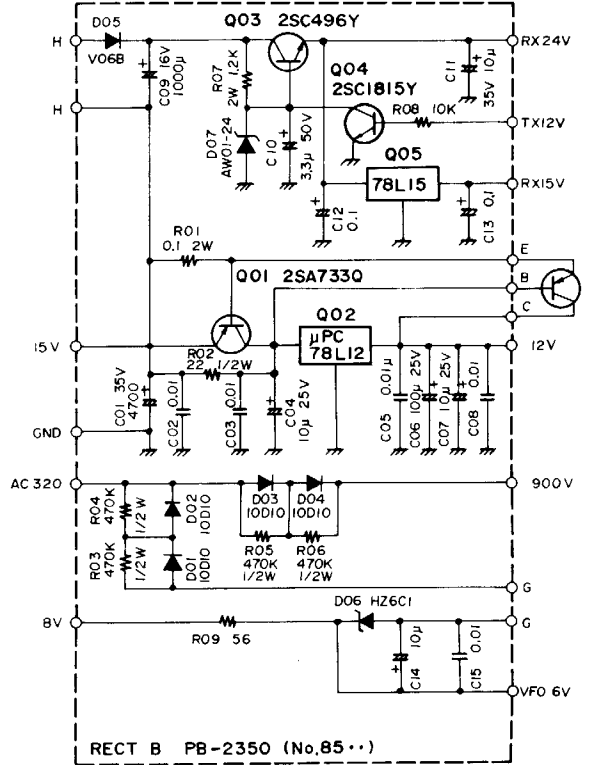
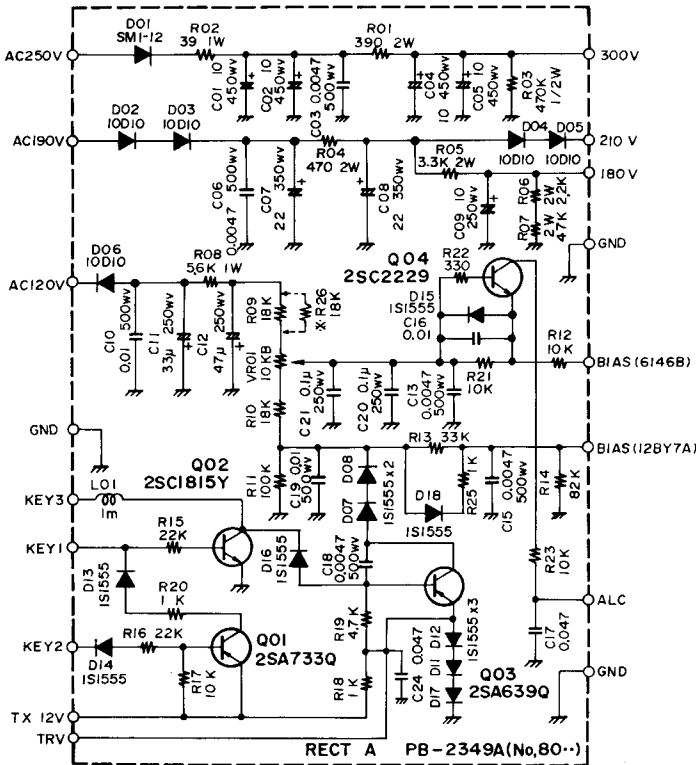


This Manual Provided  
 Courtesy of Greg, VA3VFO  
 va3vfo@rac.ca



**NOTE**

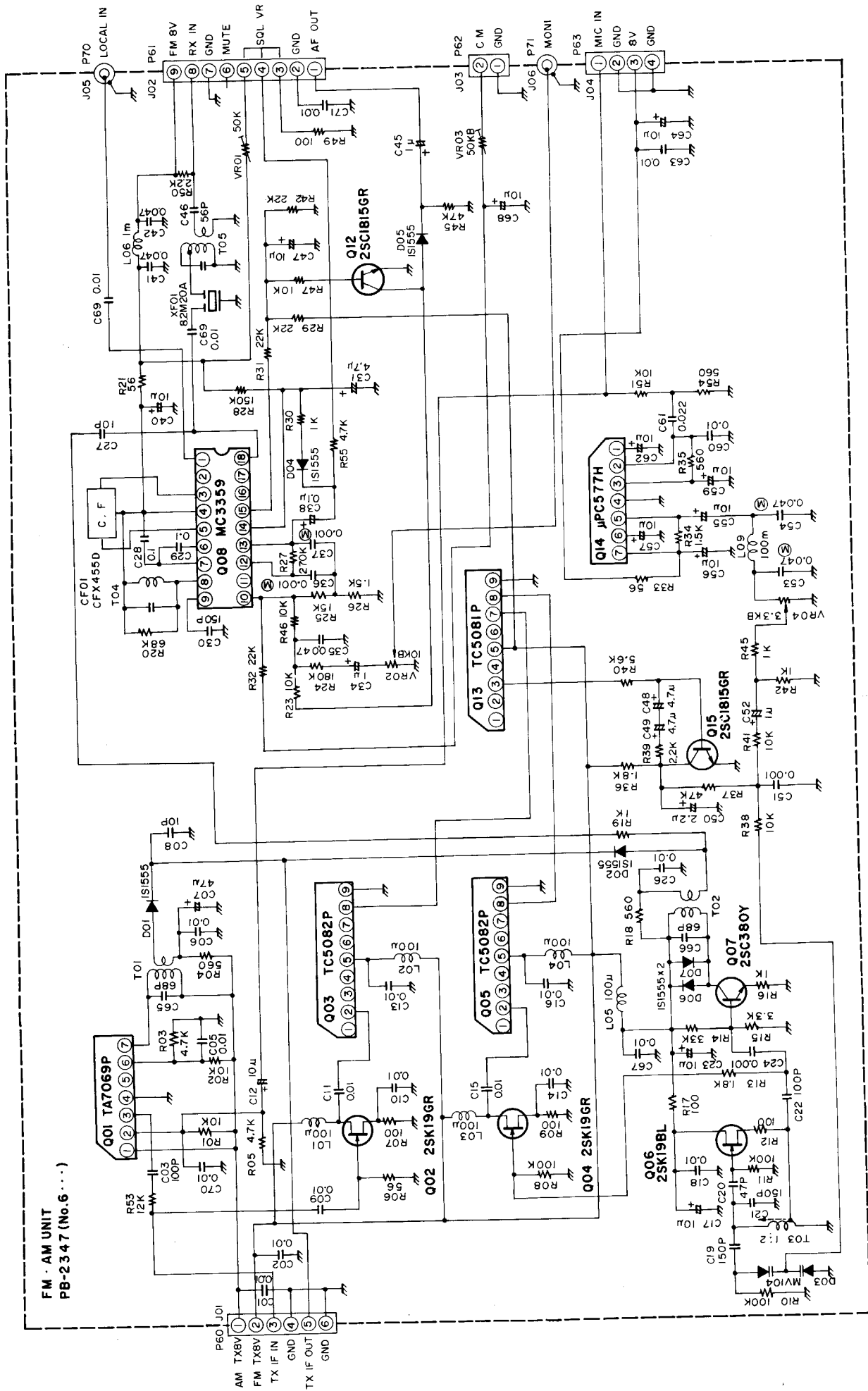
CAPACITOR VALUES ARE IN  $\mu\text{F}$ , 50wv;  
RESISTOR VALUES ARE IN  $\Omega$ , 1/4W.



**NOTE**

CAPACITOR VALUES ARE IN  $\mu\text{F}$ , 50wv; RESISTOR VALUES  
ARE IN  $\Omega$ , 1/4W; AND INDUCTOR VALUES ARE IN  
HENRIES UNLESS OTHERWISE NOTED.

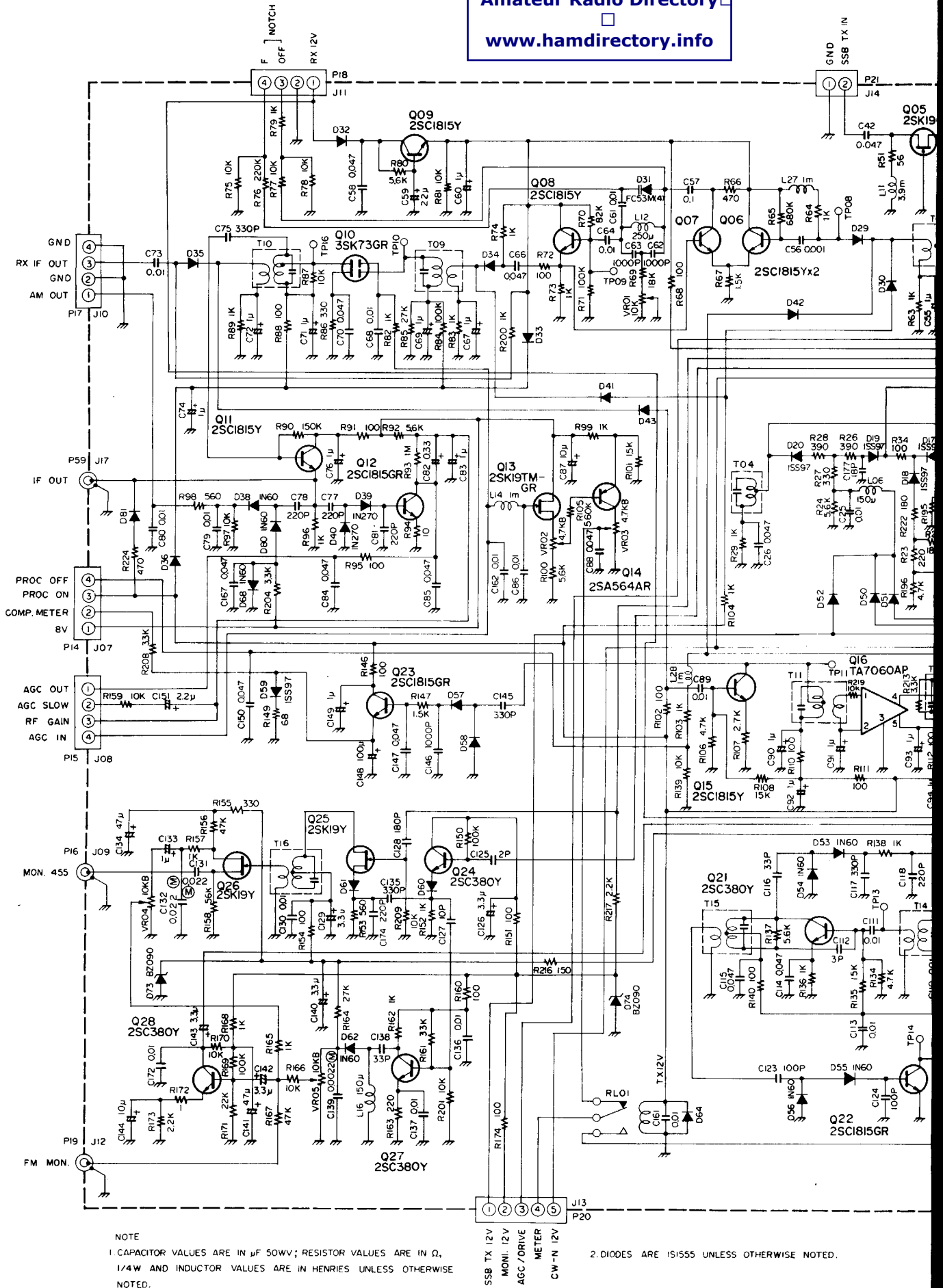
*This Manual Provided  
Courtesy of Greg. VA3VFO  
va3vfo@rac.ca*



FM · AM UNIT  
PB-2347 (No. 6...)

This Manual Provided  
Courtesy of Greg. VA3VFO  
va3vfo@rac.ca

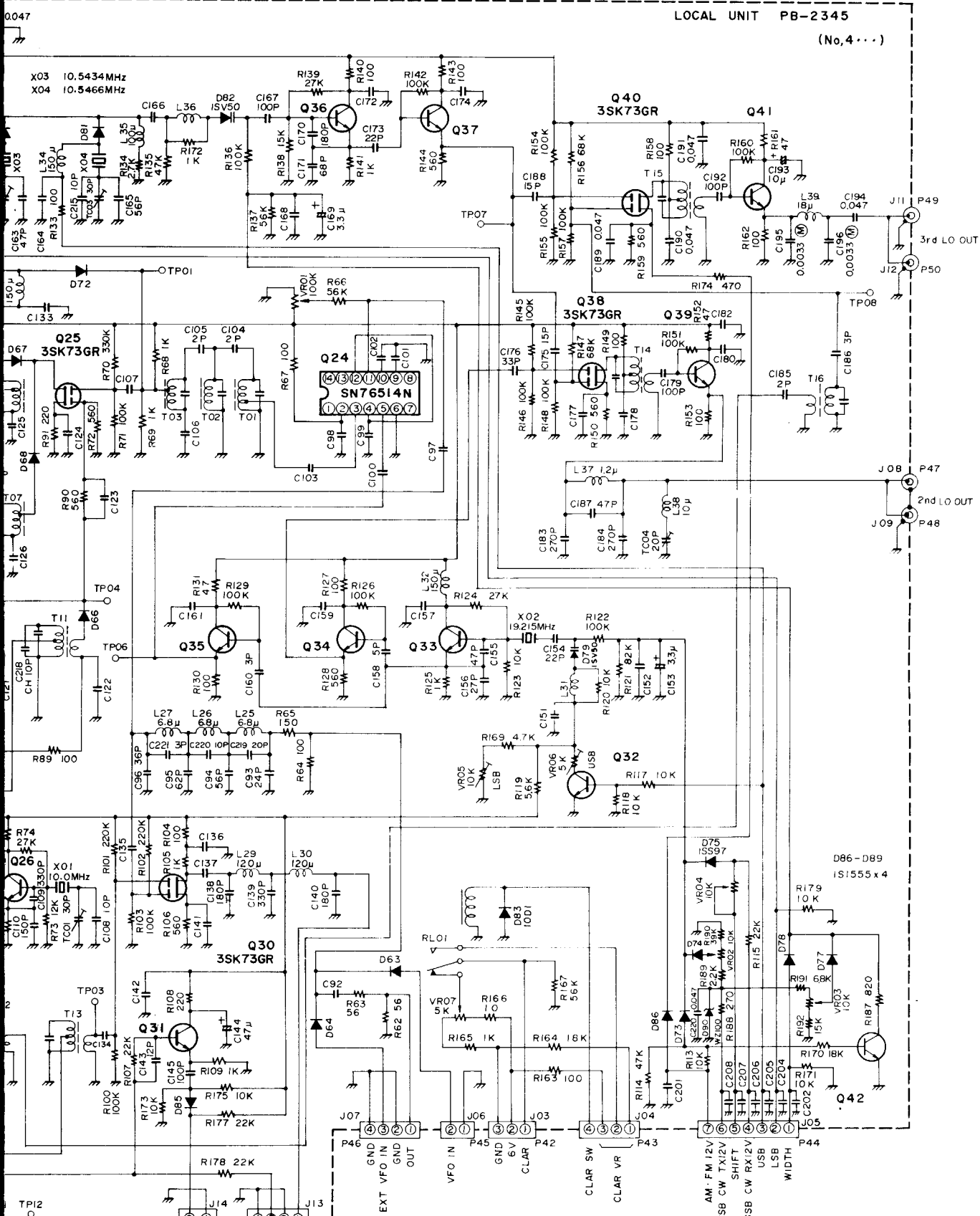
NOTE  
CAPACITOR VALUES ARE IN  $\mu$ F, 50WV ; RESISTOR VALUES ARE IN  $\Omega$ , 1/4W ;  
AND INDUCTOR VALUES ARE IN HENRIES UNLESS OTHERWISE NOTED.



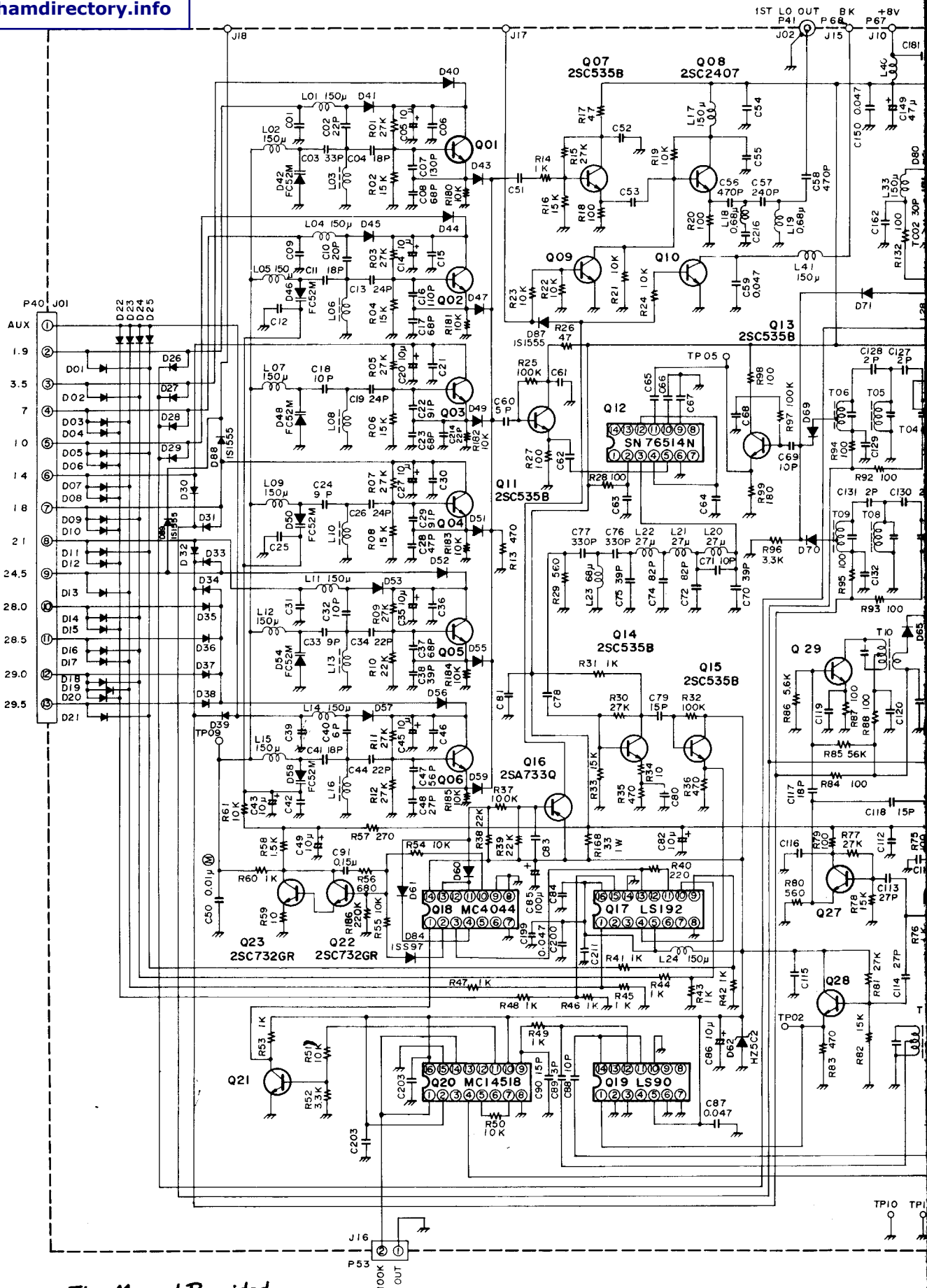
NOTE  
 1. CAPACITOR VALUES ARE IN  $\mu$ F 50WV; RESISTOR VALUES ARE IN  $\Omega$ ,  
 1/4W AND INDUCTOR VALUES ARE IN HENRIES UNLESS OTHERWISE  
 NOTED.

2. DIODES ARE 1S1555 UNLESS OTHERWISE NOTED.

This Manual Provided  
 Courtesy of Greg, VA3VFO  
[va3vfo@rac.ca](mailto:va3vfo@rac.ca)

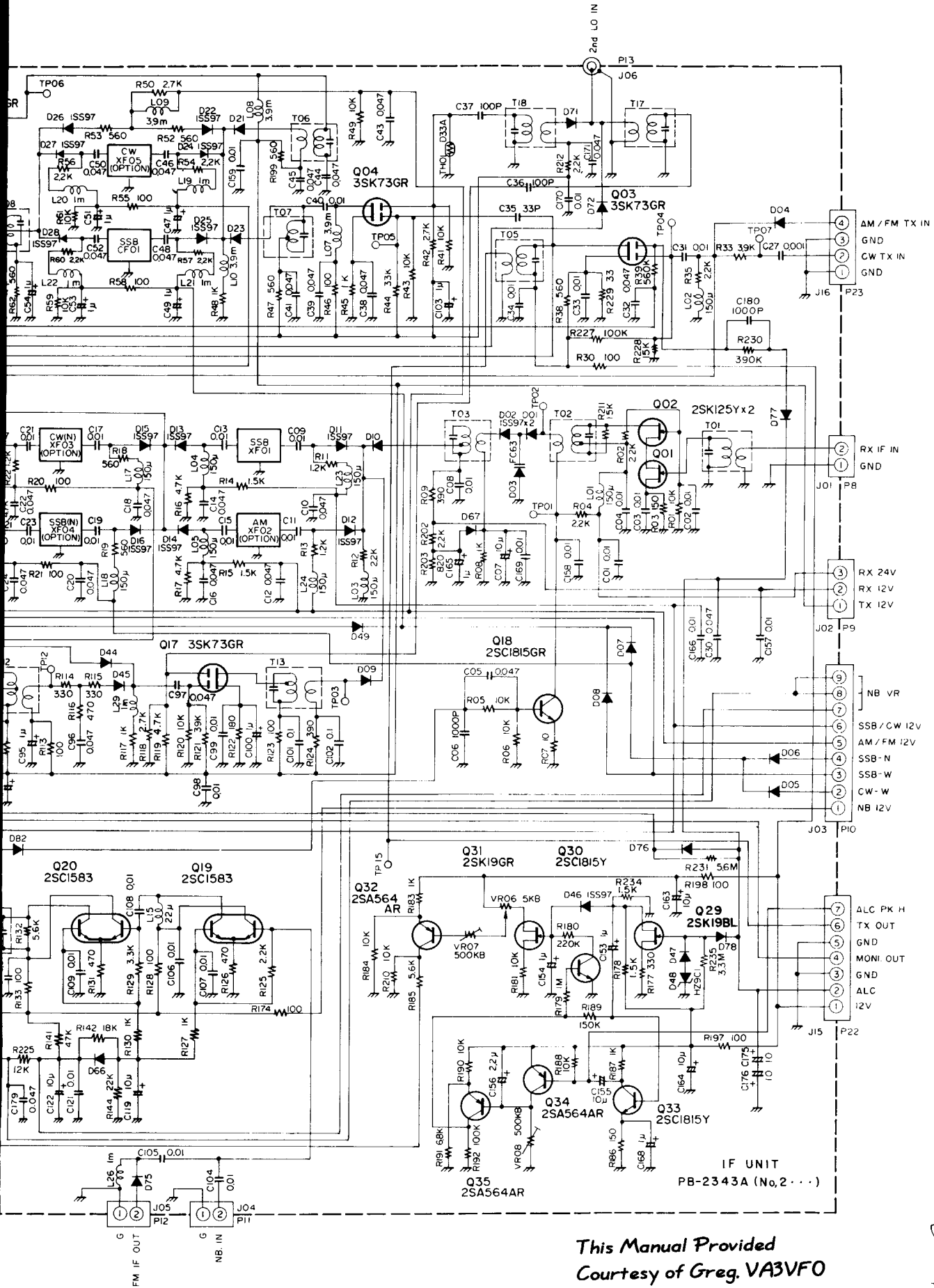


- NOTE
1. TRANSISTORS ARE 2SC945Q UNLESS OTHERWISE NOTED.
  2. DIODES ARE 1S553 UNLESS OTHERWISE NOTED.
  3. CAPACITORS ARE IN 0.01µF UNLESS OTHERWISE NOTED.
  4. CAPACITOR VALUES ARE IN µF, 50wv; RESISTOR VALUES ARE IN Ω, 1/4W; AND INDUCTOR VALUES ARE IN HENRIES UNLESS OTHERWISE NOTED.



This Manual Provided  
 Courtesy of Greg. VA3VFO  
 va3vfo@rac.ca

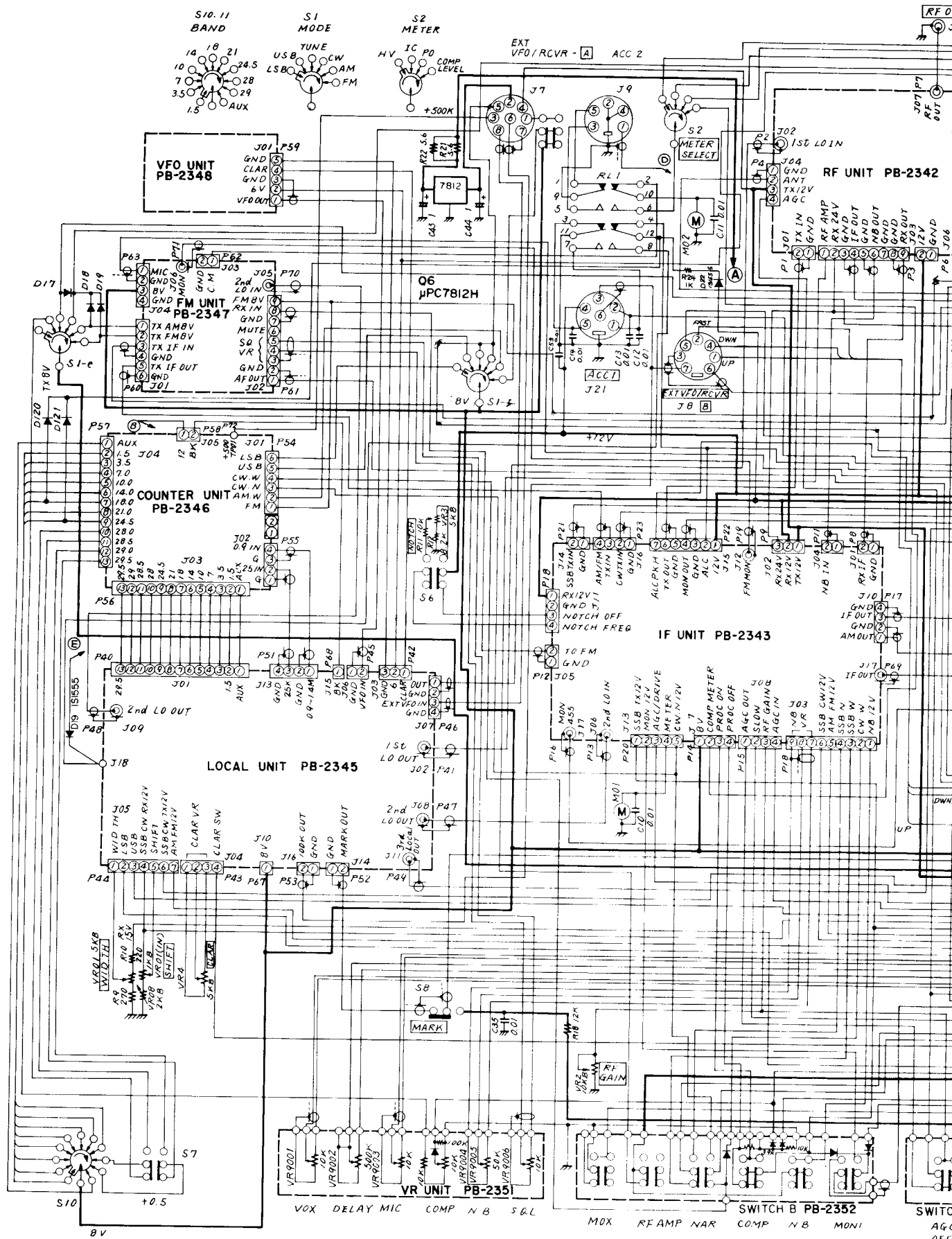




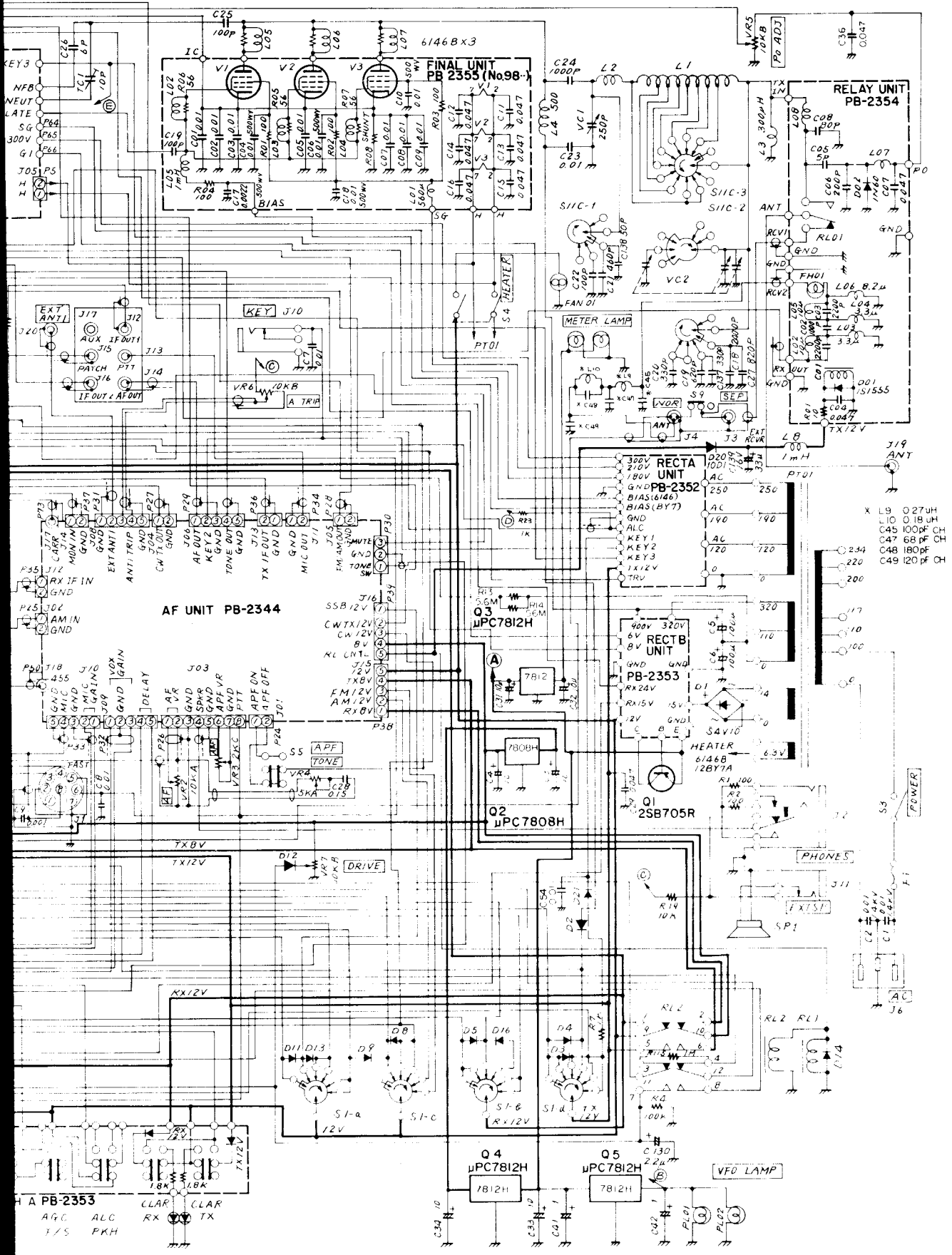
This Manual Provided  
 Courtesy of Greg. VA3VFO  
 va3vfo@rac.ca

FT-102





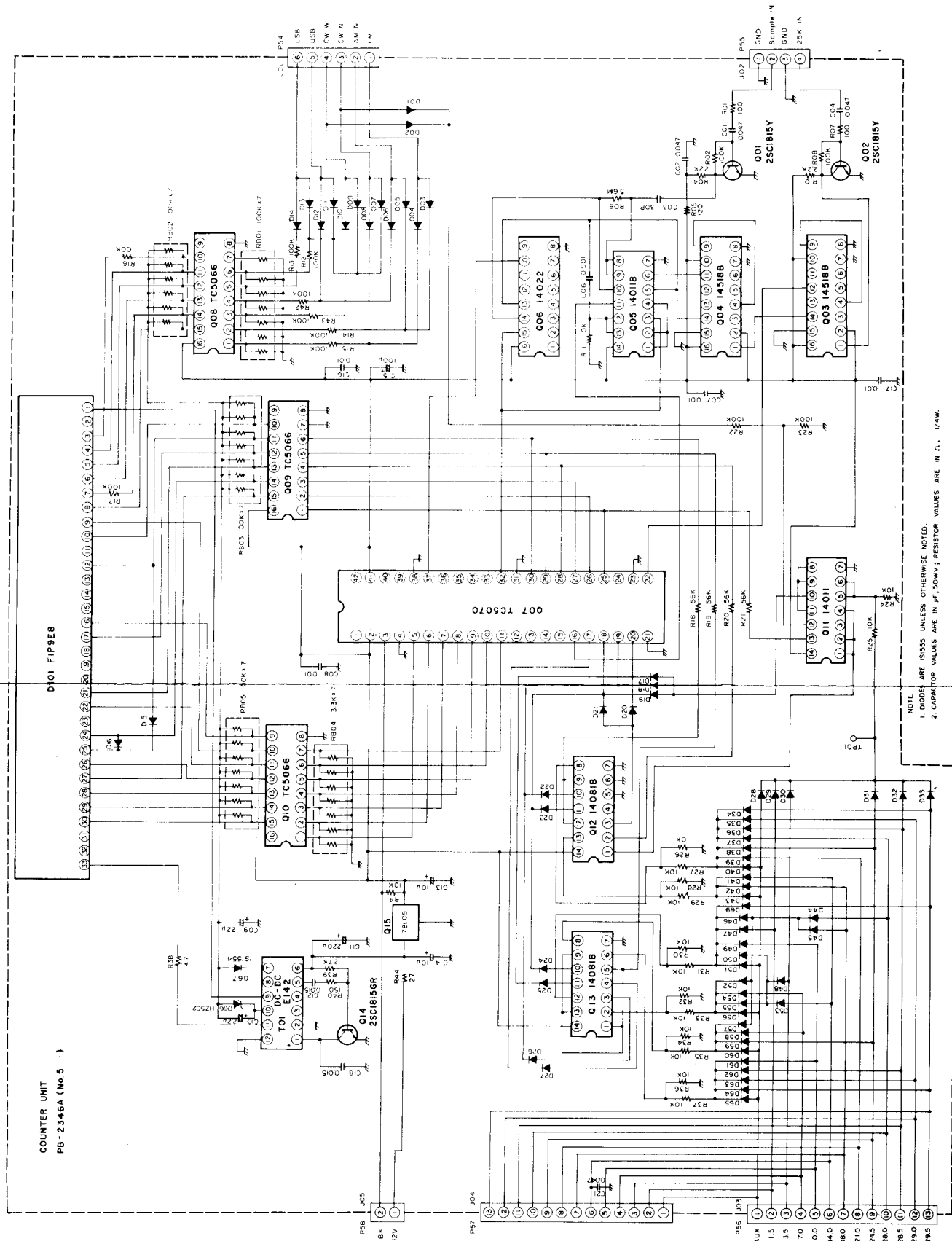
This Manual Provided  
 Courtesy of Greg, VA3VFO  
 va3vfo@rac.ca



- X L9 0.27uH
- L10 0.18uH
- C45 100pF CH
- C47 68pF CH
- C48 180pF
- C49 120pF CH

A PB-2353  
 AGC ALC  
 T/S PKH  
 CLAR RX TX

Fig. 102



NOTE  
 1. DIODES ARE 1S55 UNLESS OTHERWISE NOTED.  
 2. CAPACITOR VALUES ARE IN  $\mu$ F; 10 $\mu$ V; RESISTOR VALUES ARE IN  $\Omega$ , 1/K $\Omega$ .

This Manual Provided  
 Courtesy of Greg, VA3VFO  
 va3vfo@rac.ca