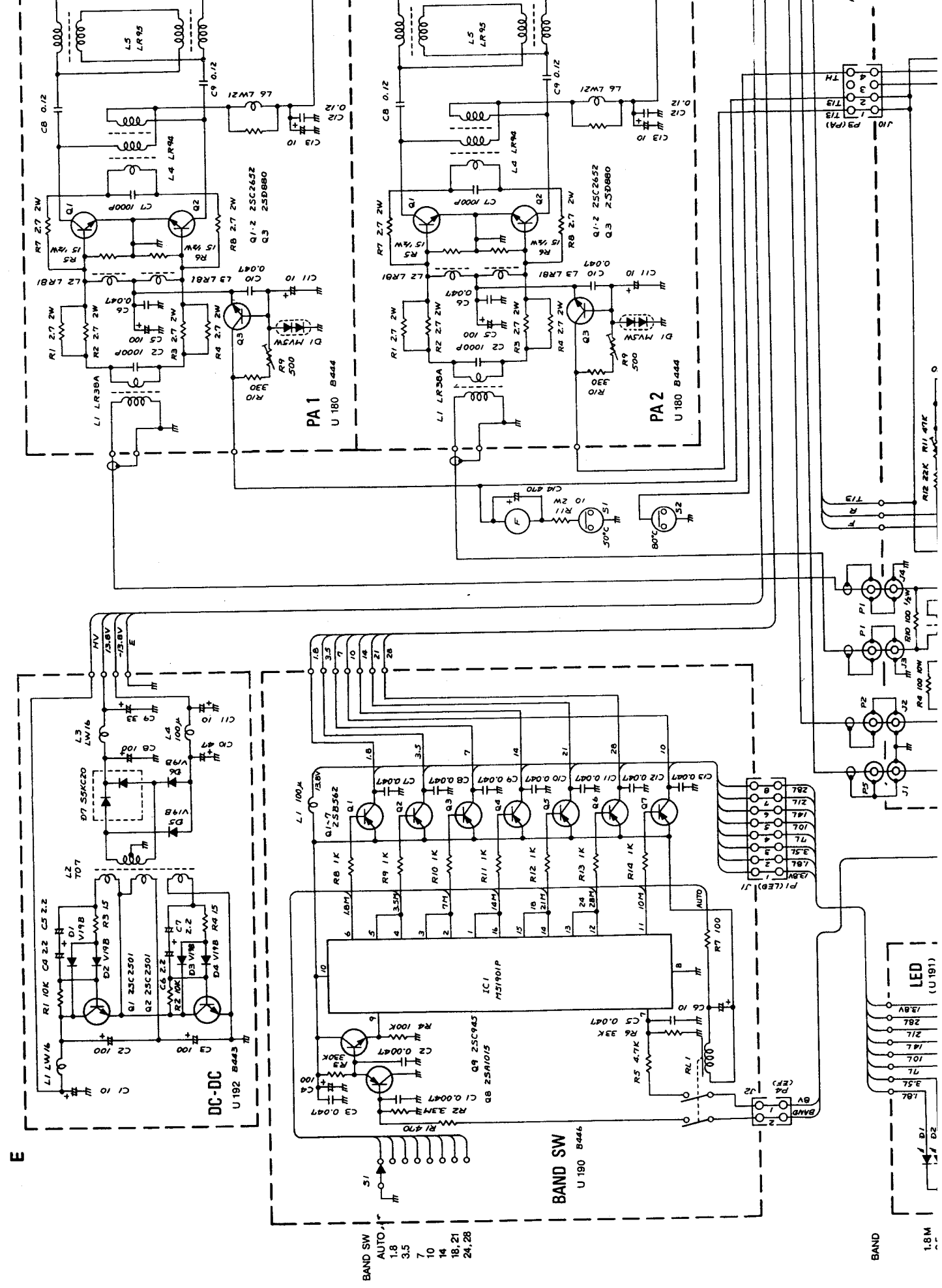
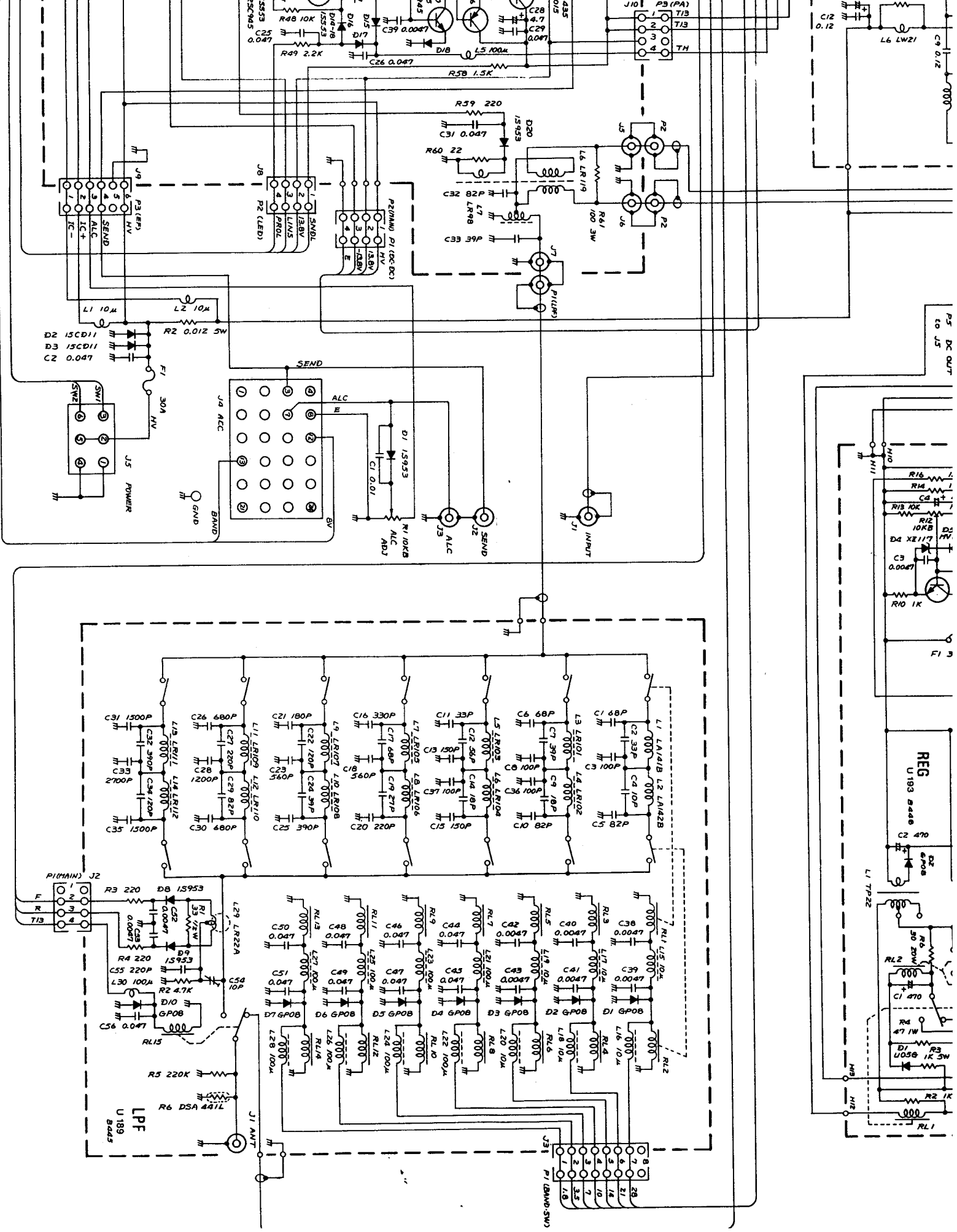
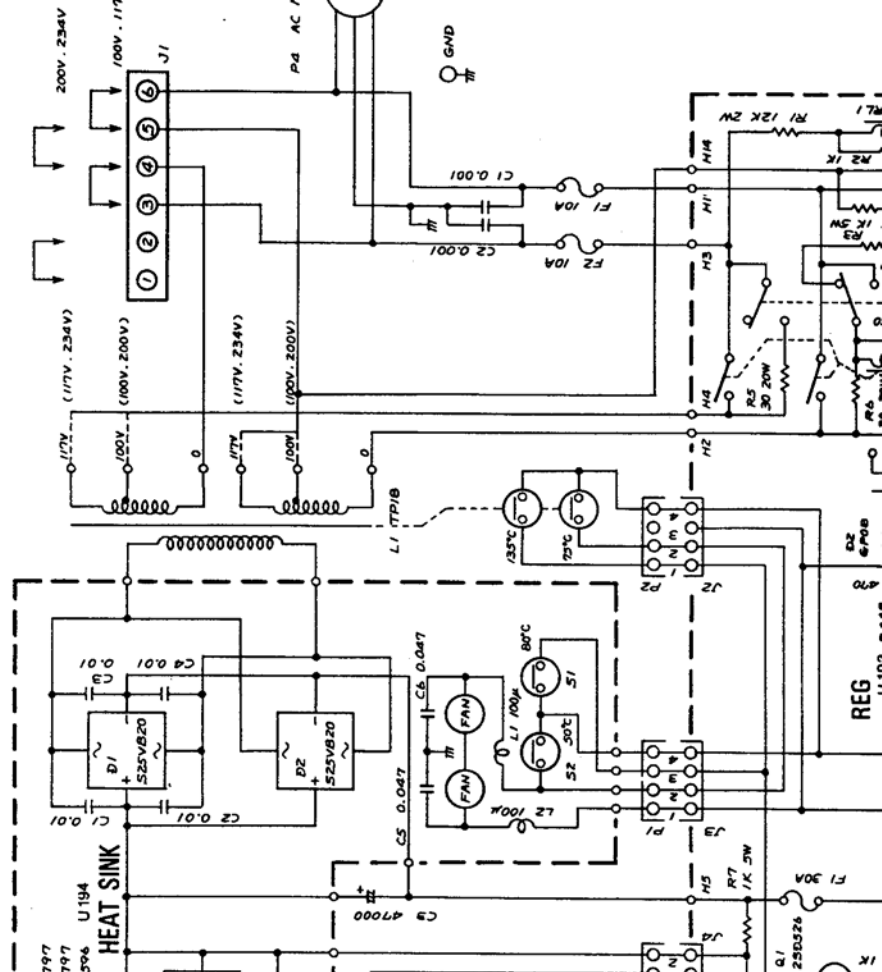
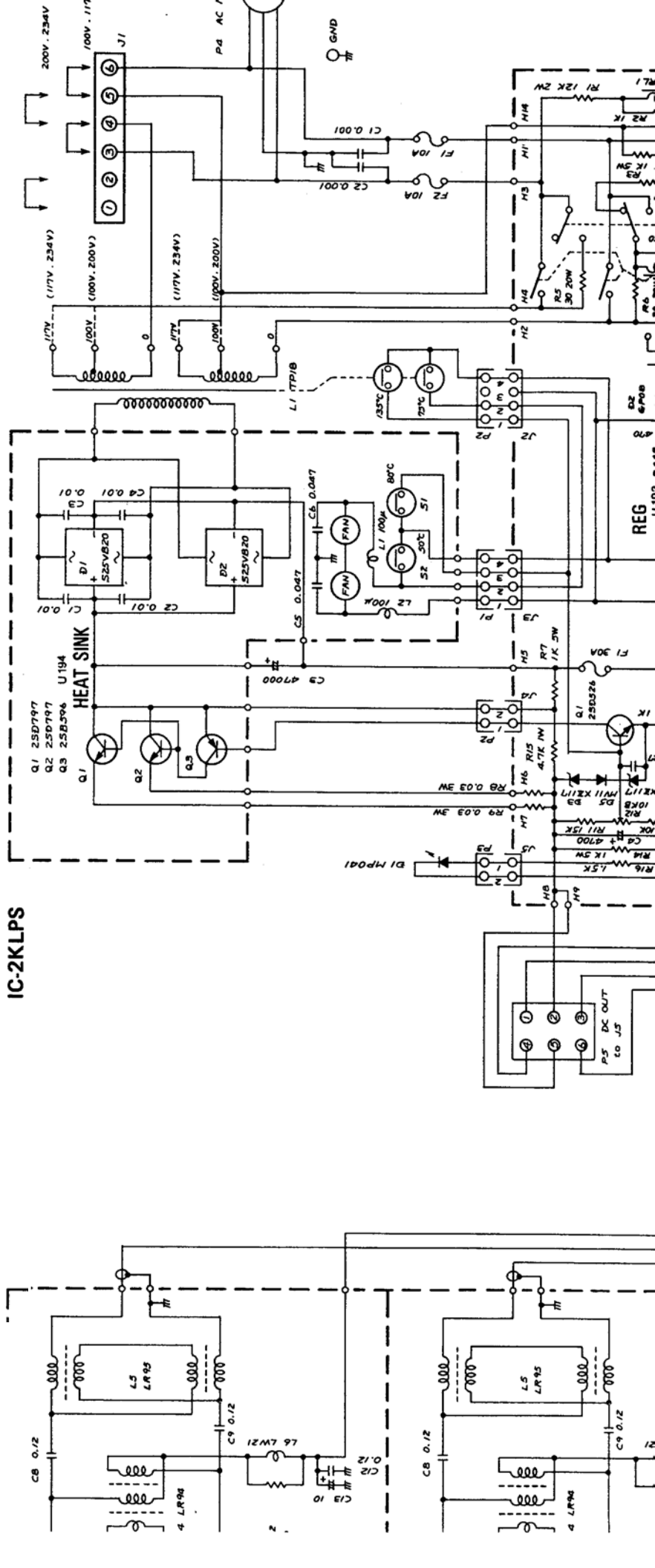


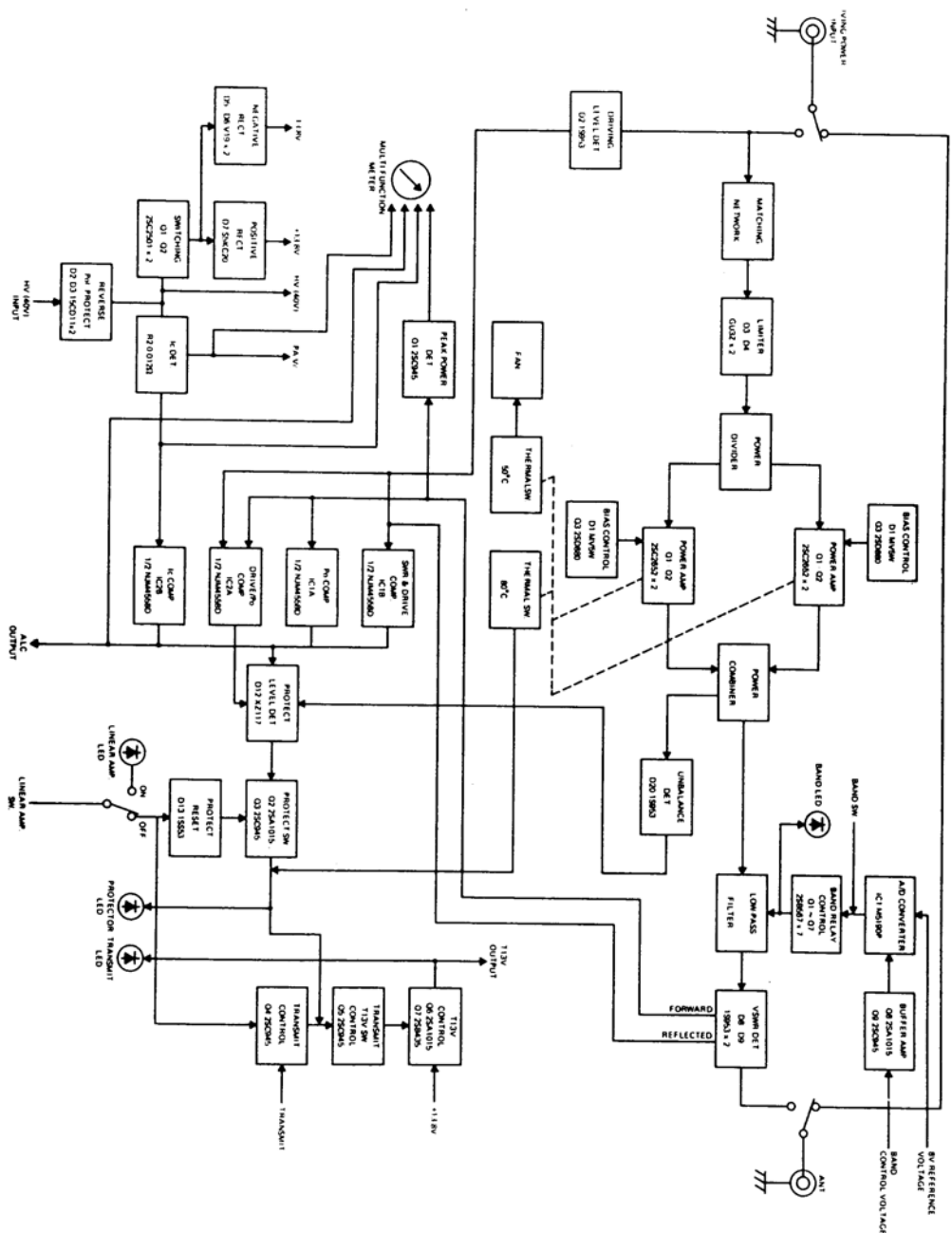
IC-2KL SCHEMATIC DIAGRAM





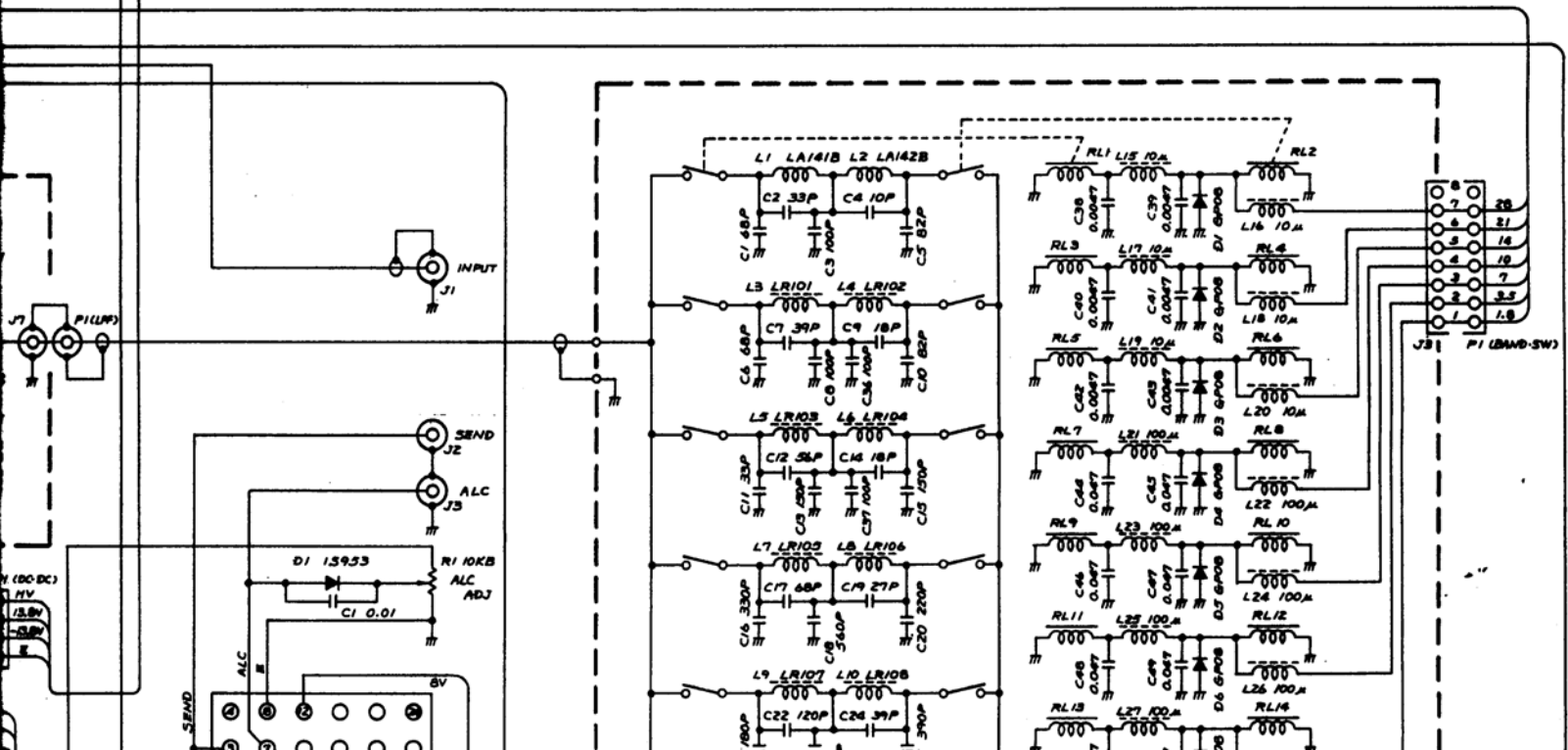
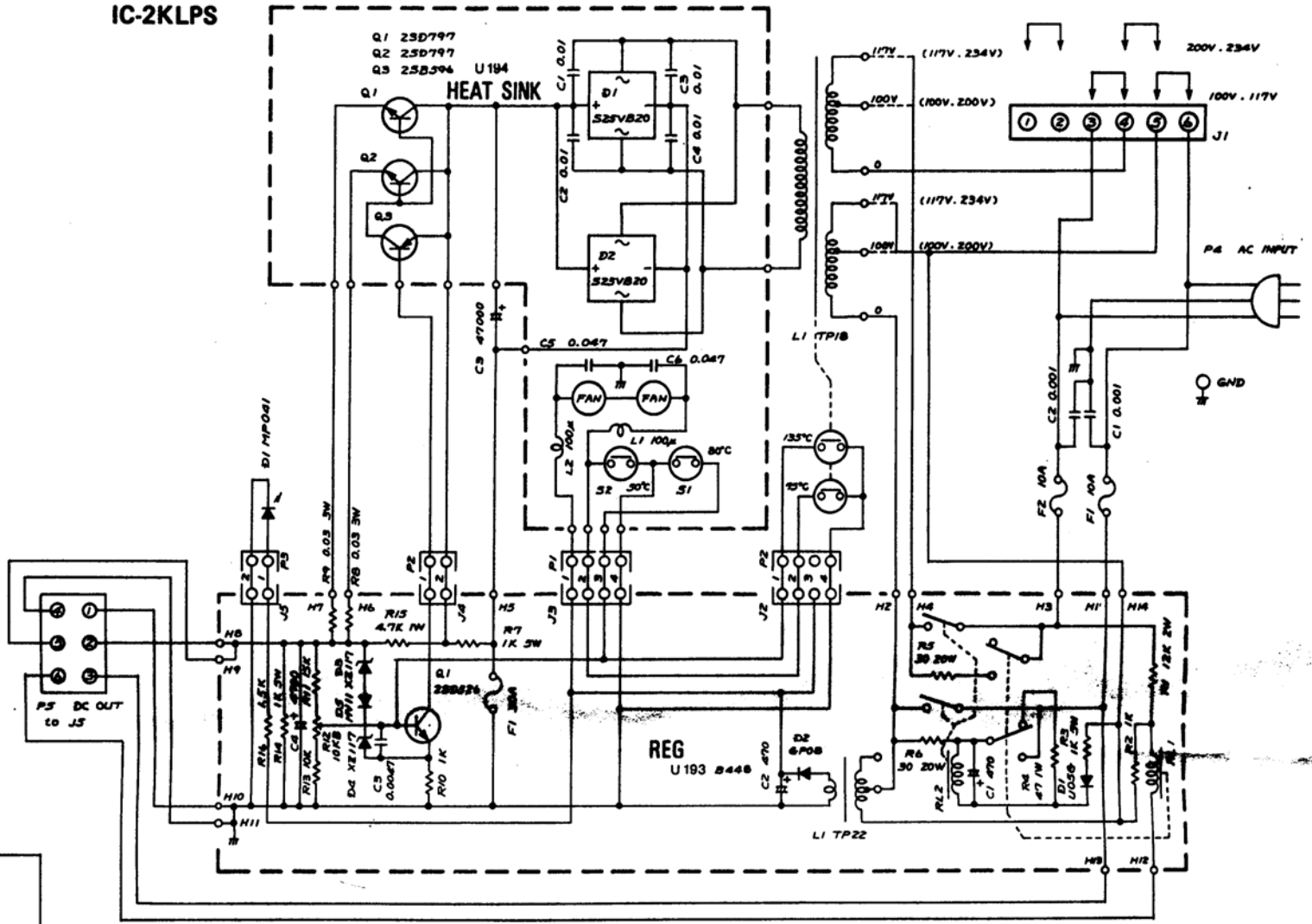
IC-2KLLPS





BLOCK DIAGRAM

IC-2KLPS



IC-2KL ADJUSTMENT	CONDITIONS	INSTRUMENT REQUIRED	UNIT	TEST POINT	UNIT	PARTS	HOW TO ADJUST	READING
INITIAL SETUP	Connect IC-2KL to the RIF exciter (RF INPUT, ALC, PTT, ACC, etc). Connect IC-2KL output to a dummy load. Connect IC-2KL to the power supply IC-2KLPS.				MAIN MAIN MAIN	R44 R36 R18	MAXIMUM CLOCKWISE MAXIMUM CLOCK WISE TURN R18 AND ADJUST STARTING FROM MAXIMUM COUNTER-CLOCKWISE	
IDLE CURRENT	Lift center tap lead from L4 and insert an ammeter.	Ammeter (1 A)	Power supply regulator unit	F1	PA1 PA2	R9 @ PA1 R9 @ PA2	ADJUST R9 (ON PA-1) FOR 200 ma REPEAT ABOVE FOR PA-2	
Vc METER	Meter switch: Vc Connect multimeter to fuse (F1)	Multimeter		Vc meter	MAIN	R40	ADJUST R40 TO INDICATE THE SAME VOLTAGE AS SHOWN ON THE MULTIMETER	
PROTECTION CIRCUIT	Meter switch: PRO Set mode to RTTY and transmit full power @ 14MHz	Dummy Load		PRO meter	.MAIN	R1 R44.	ADJUST ALC ADJUSTMENT POT (R1) FOR CENTER OF "PRO" ZONE (Vc=50) ADJUST R44 GRADUALLY UNTIL THE PROTECTION CIRCUIT ACTIVATES	CENTER OF "PRO" ZONE PROTECTION CIRCUIT THRESHOLD
VSWR	Short the cathode of D2 to ground. Connect a multimeter to pin3 on J2 of the FIL unit. Set mode to RTTY and Transmit full power a@14 MHz. Remove the short	Dummy Load			FIL	C54	Adjust C54 for minimum	Minimum
Power	Meter Switch : PRO. Set the mode to RTTY and transmit full power @ 14 MHz	RF Power Meter		Antenna connector	MAIN	R1 R18.	ADJUST ALC ADJUSTMENT POT (R1) FOR CENTER OF ALC ZONE ADJUST R18 FOR 500W. REPEAT BOTH ADJUSTMENTS SEVERAL TIMES	Center ALC Zone
POWER METER	Meter Switch : PRO. Set the mode to RTTY and transmit full power @ 14 MHz	Dummy Load		Meter		R11	ADJUST R11 FOR 500W	500W
IC METER	Meter Switch: Ic. Remove fuse F1 and insert an Ammeter	Dummy Load		Meter	MAIN	R41	ADJUST R41 TO READ THE SAME CURRENT AS THE AMMETER	CURRENT OF THE AMMETER
IC PROTECT	Meter Switch: Ic. Install a 20 ohm 100W resistor between ground and the end of R2 opposite from F1.Set the mode to RTTY and transmit 100w/1.9 MHz (Remove the 20 ohm resistor after adjustment).	Dummy Load		Meter	MAIN	R36	ADJUST R36 FOR 23 AMPS	23 AMPS