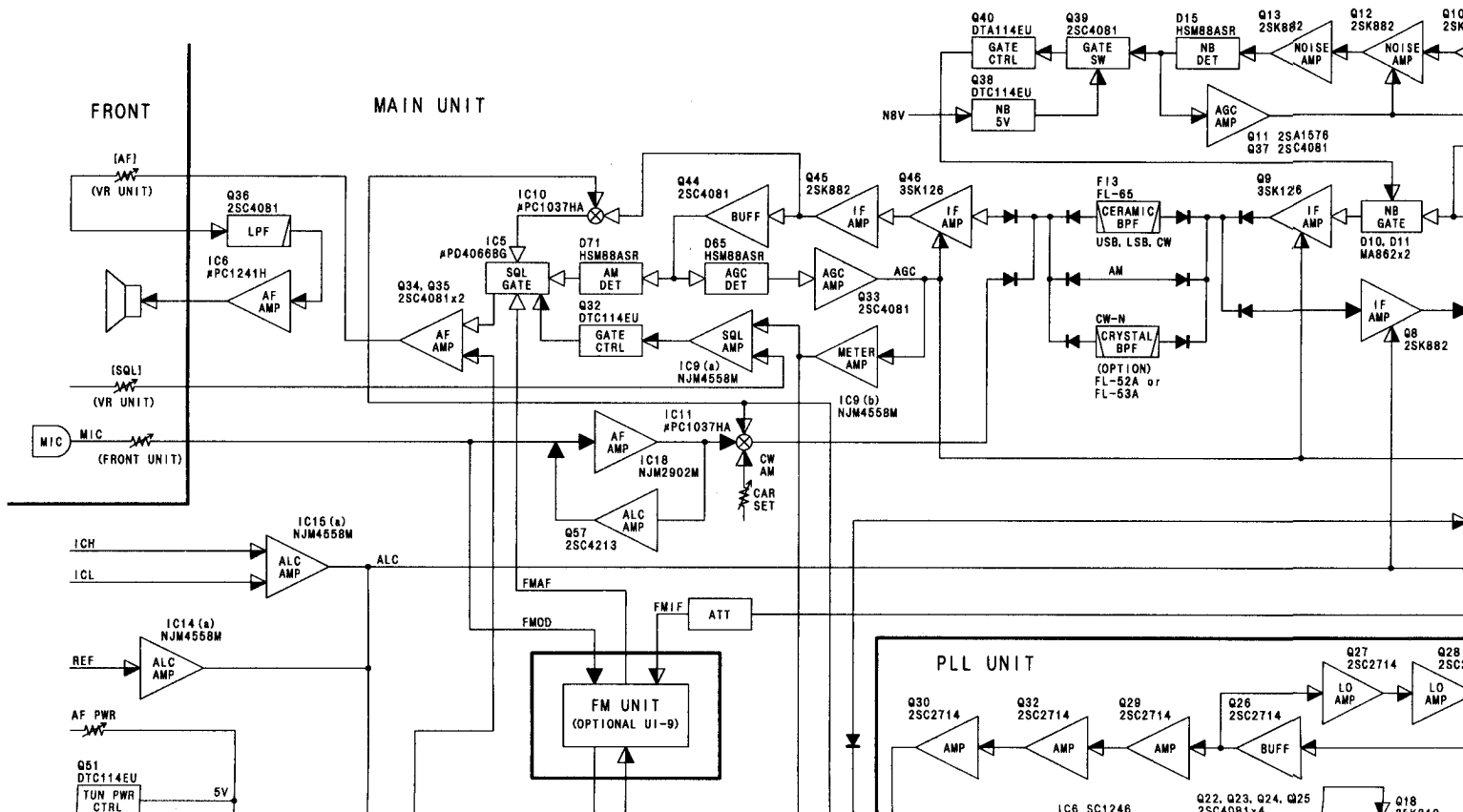


ICOM

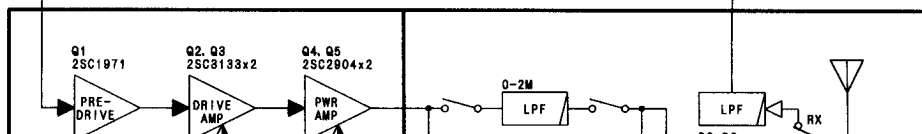
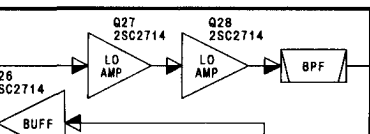
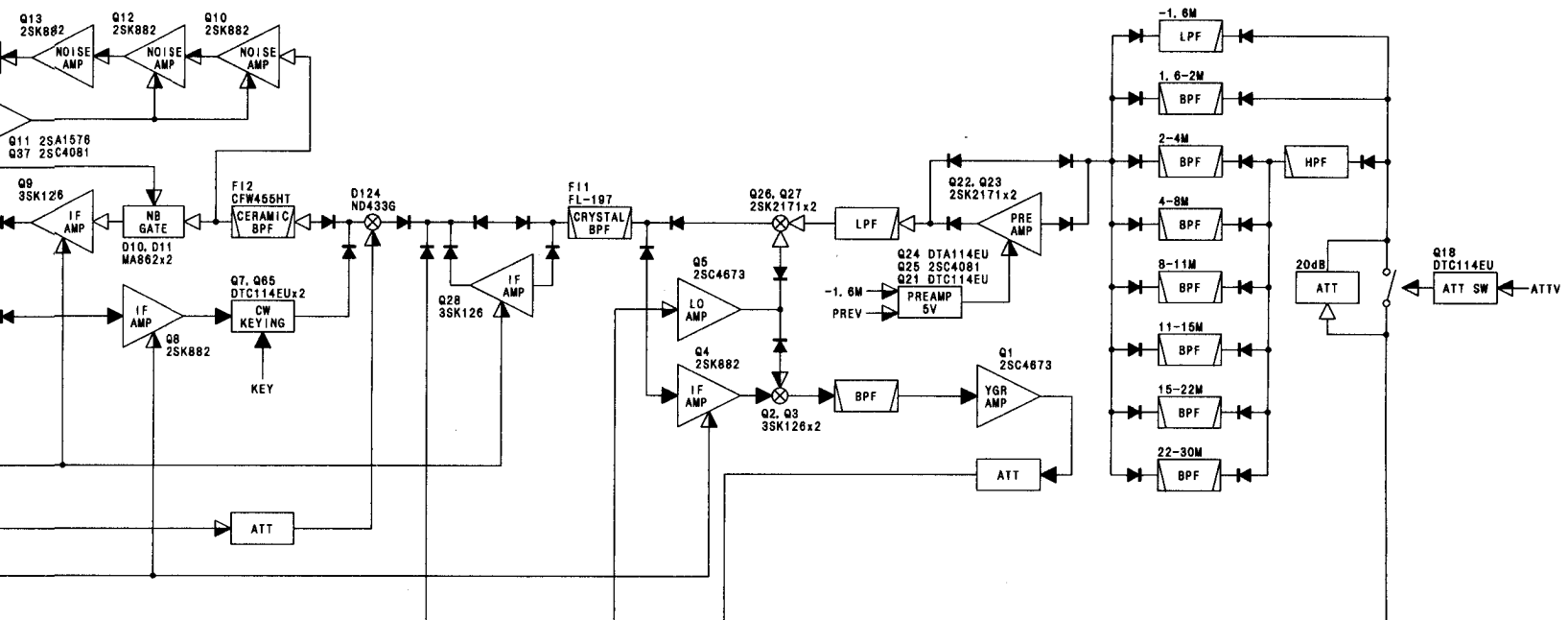
IC-707

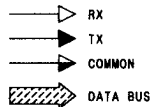
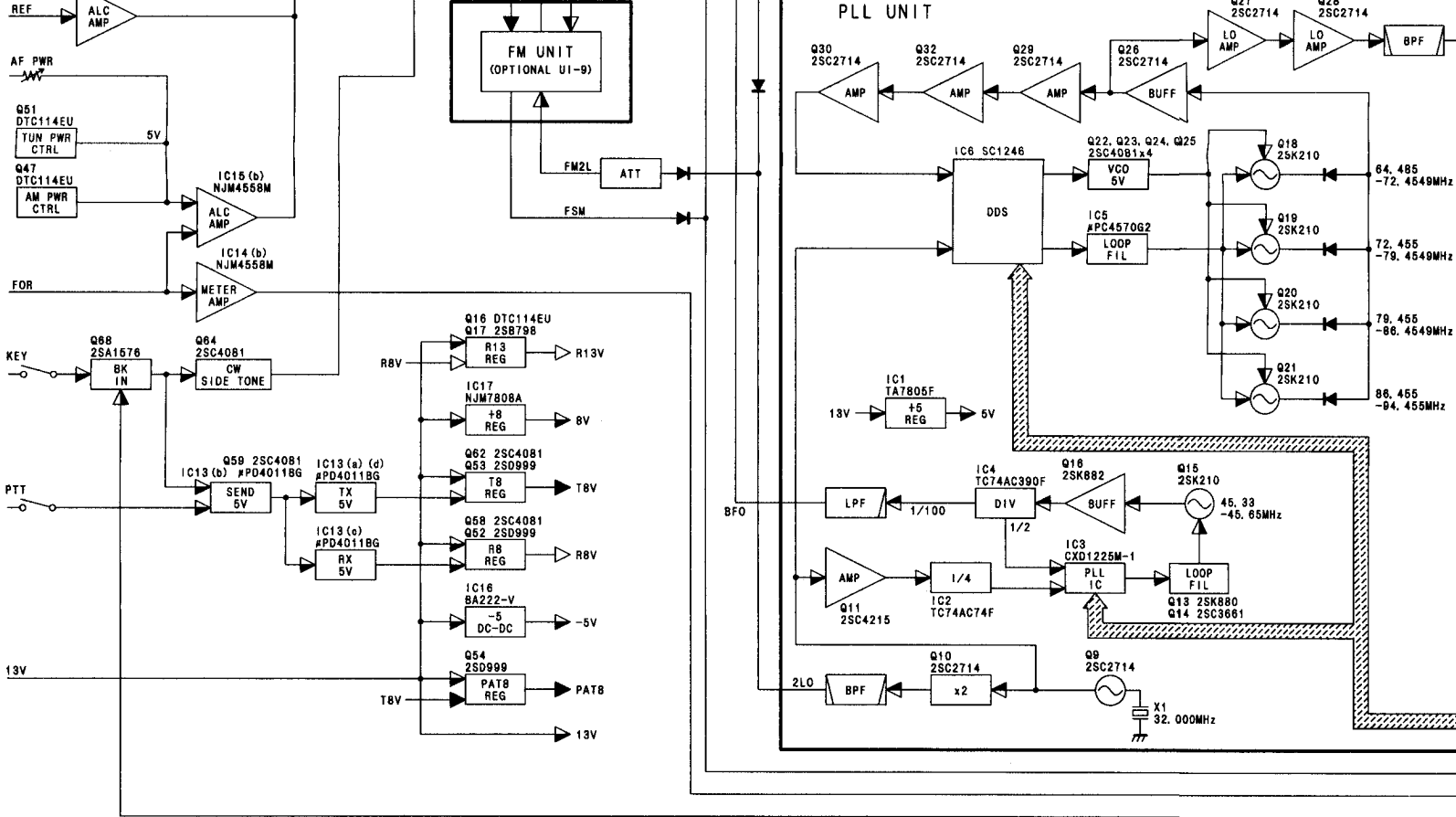
Downloaded by RadioAmateur.EU

BLOCK DIAGRAM

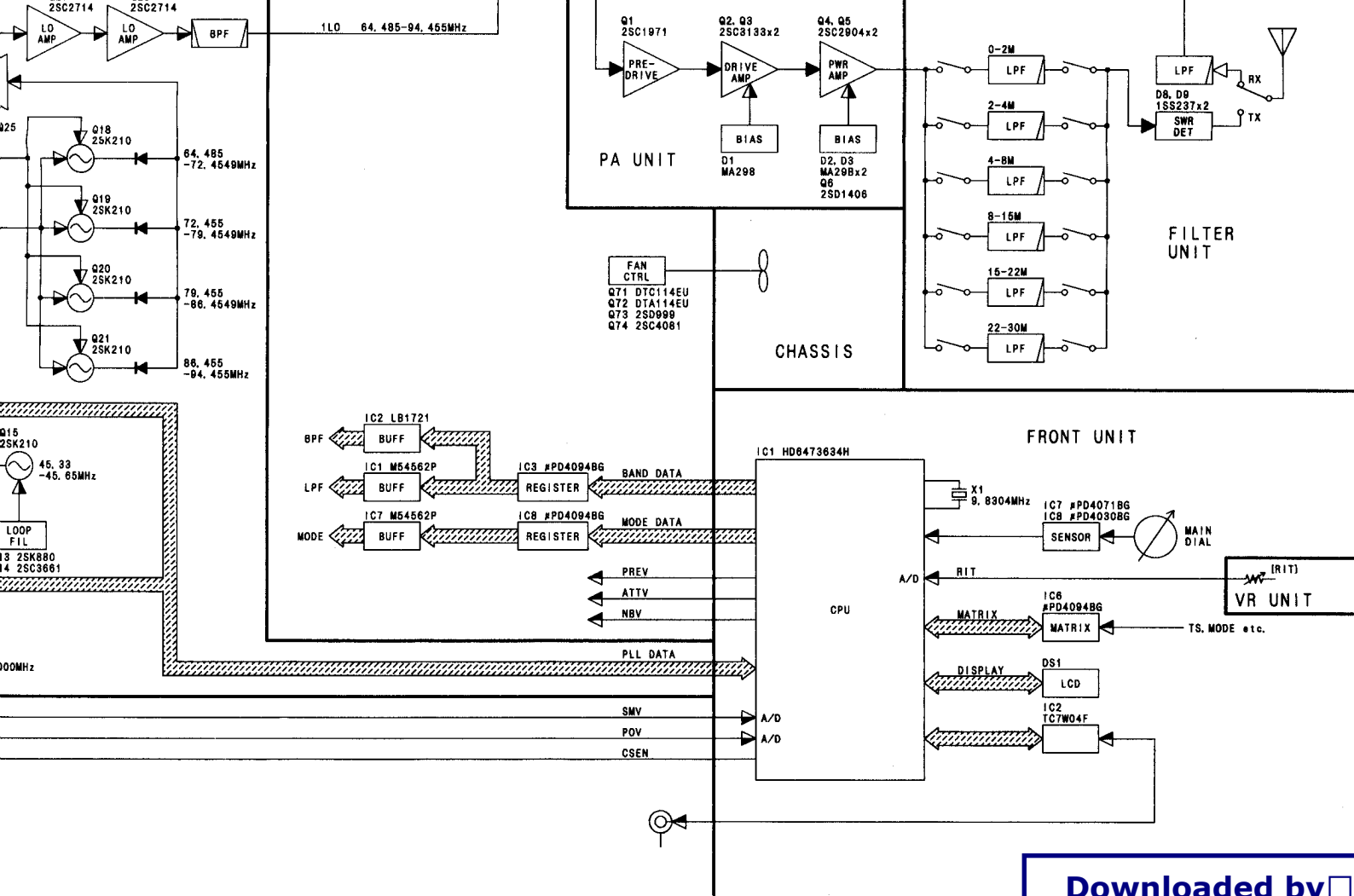


M





Downloaded by RadioAmateur.EU



To upgrade quality, some components may be subject to change without notice.

A-5257D-3EX
 Printed in Japan
 Copyright © 1993 by Icom Inc.

Downloaded by RadioAmateur.EU

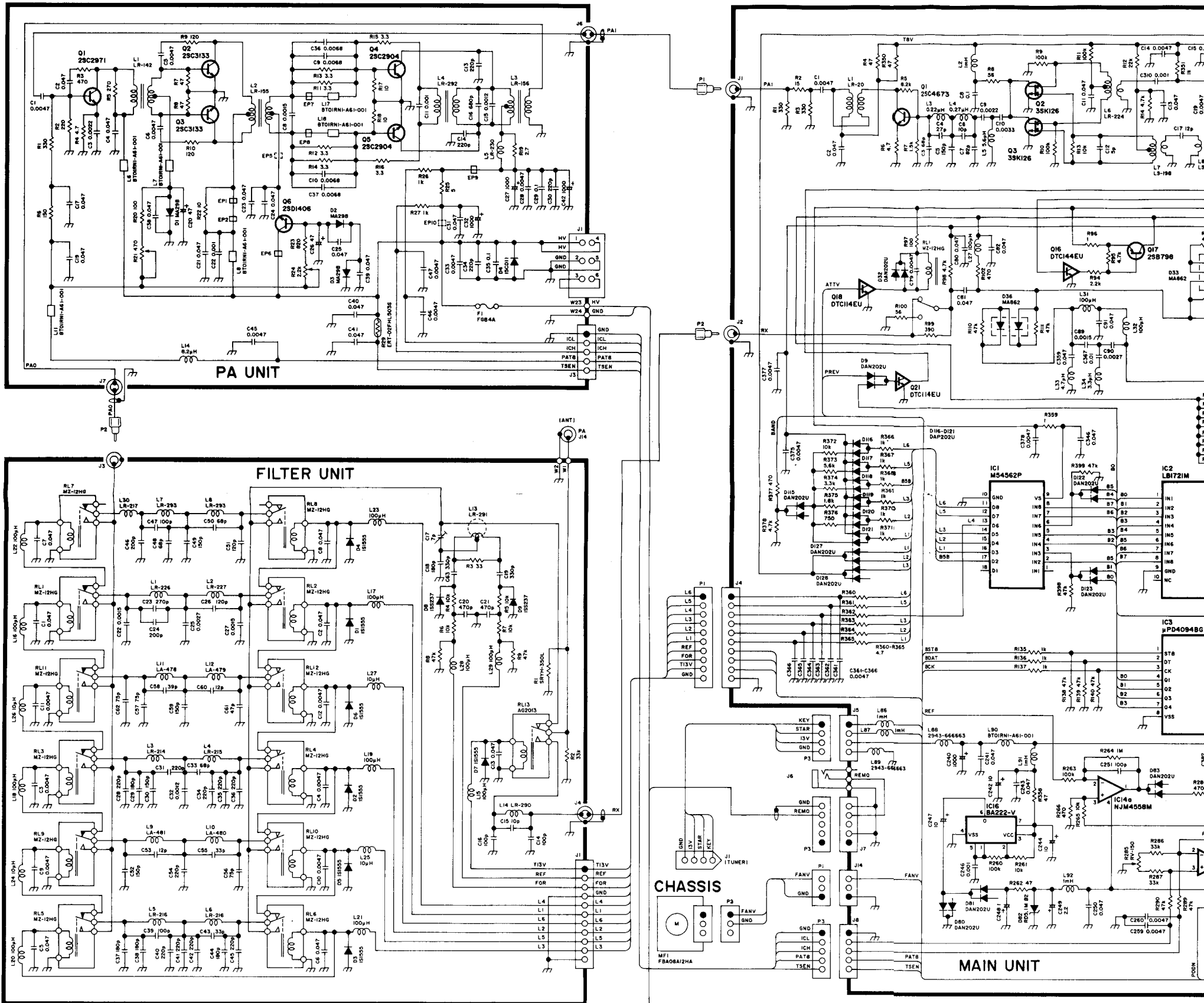
Icom Inc.

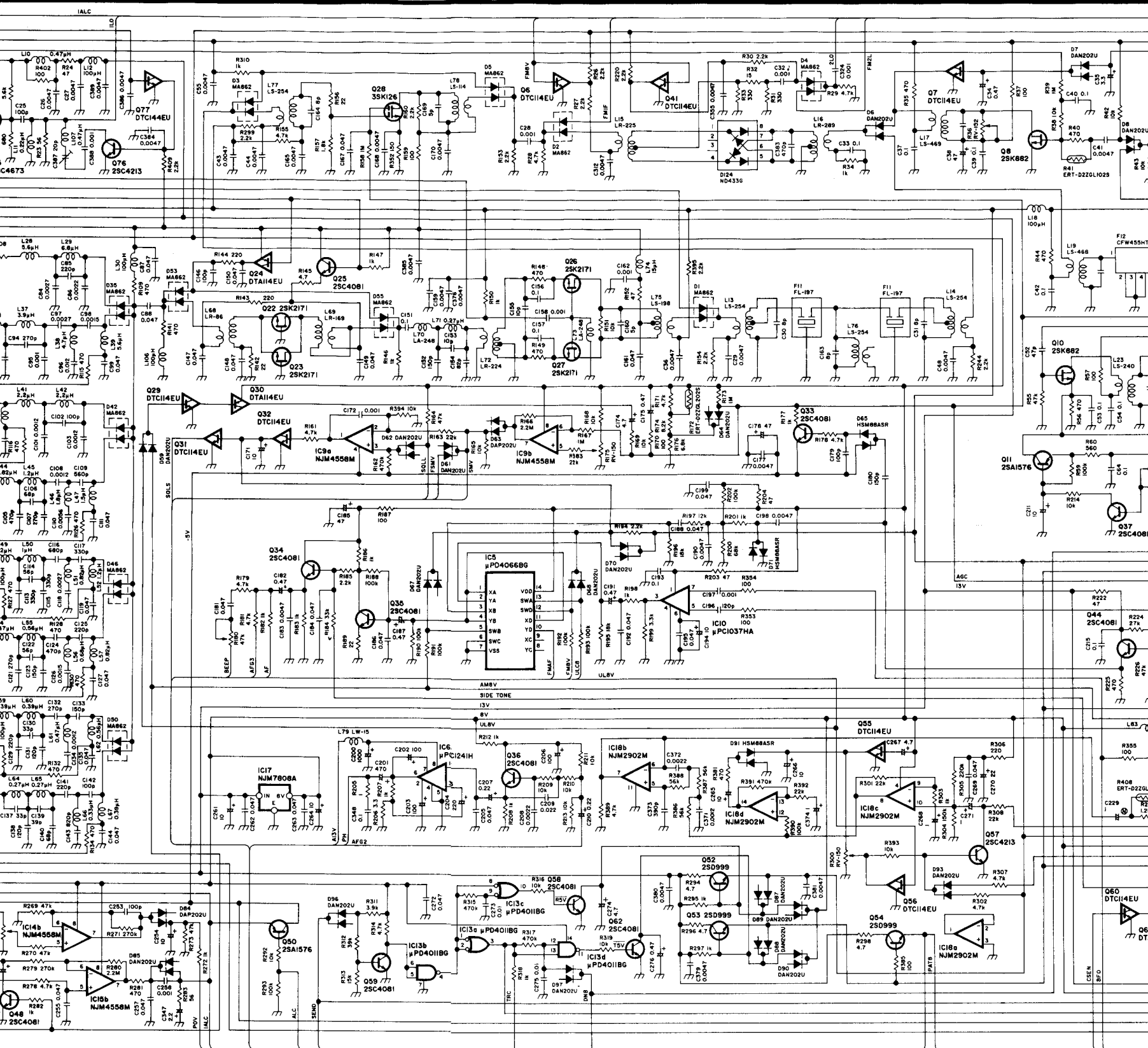
ICOM

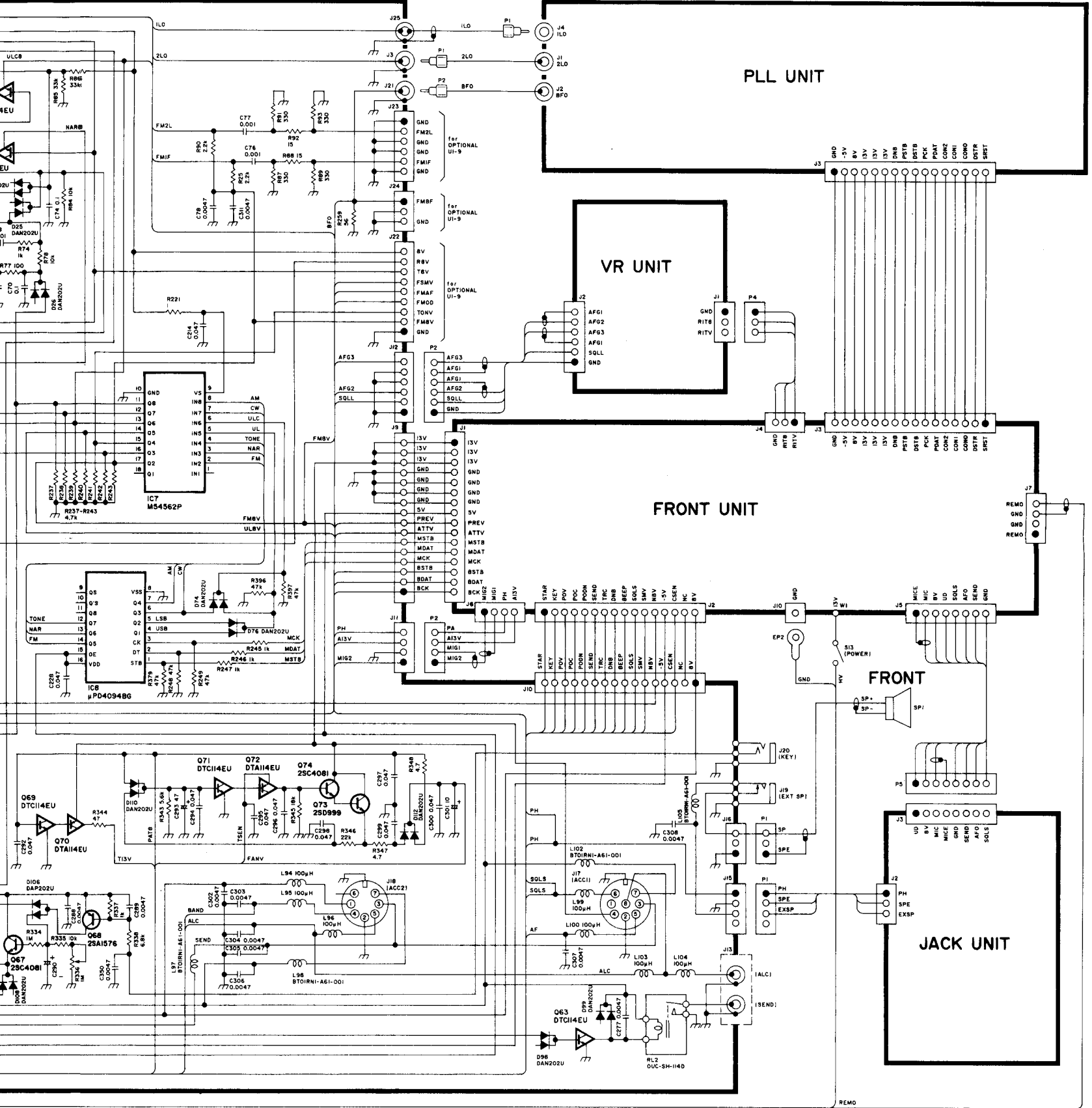
IC-707

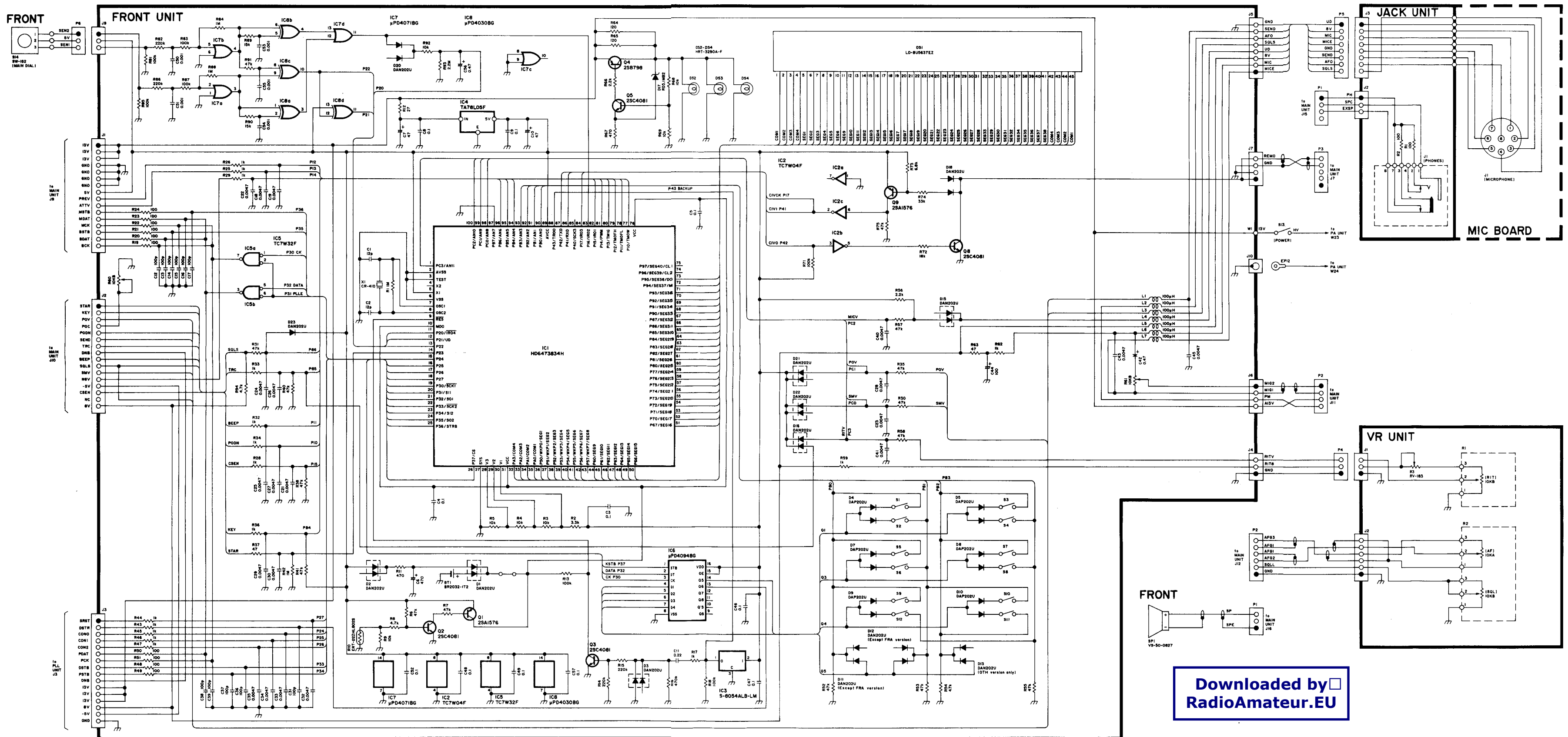
SCHEMATIC DIAGRAM

Downloaded by
RadioAmateur.EU



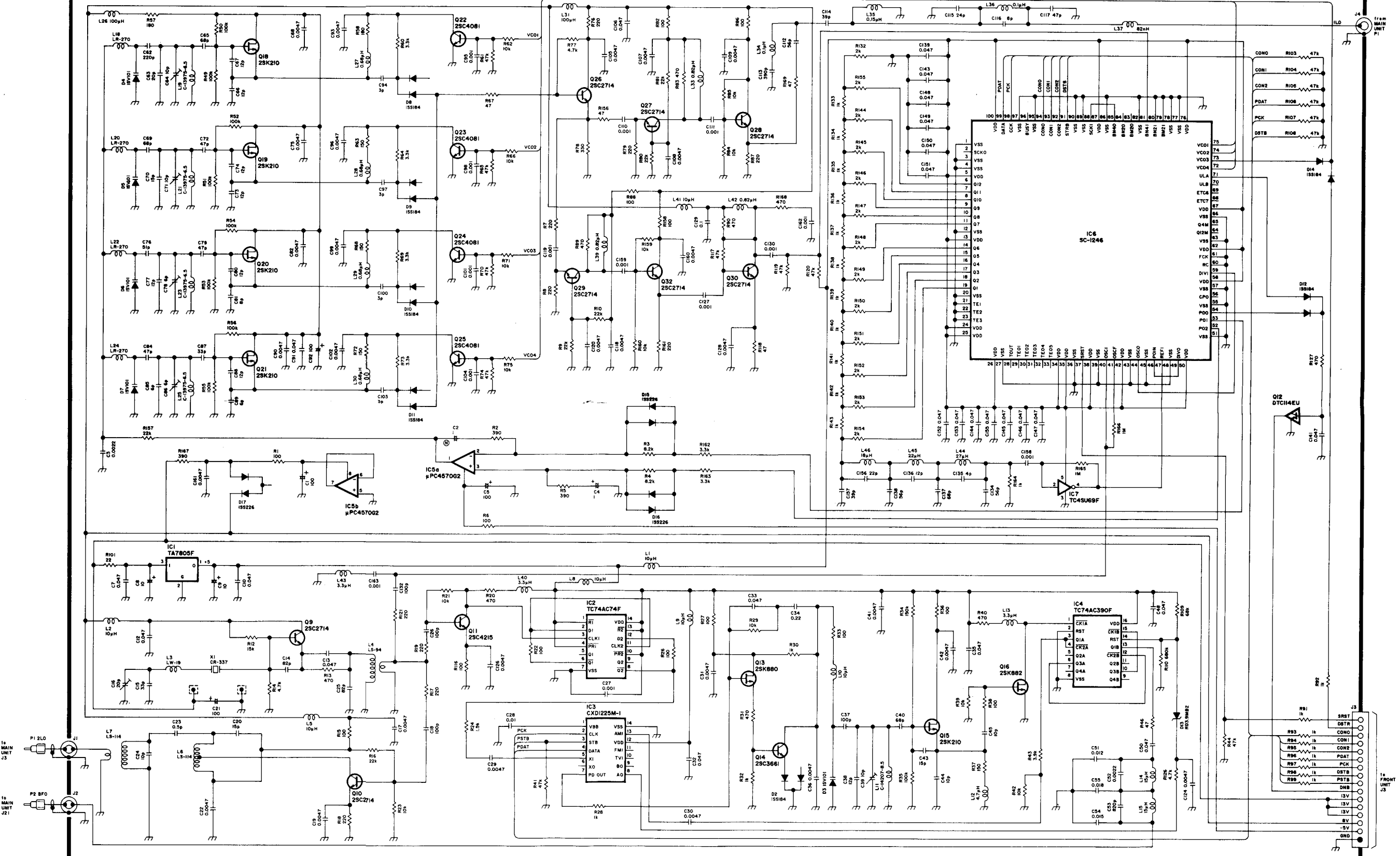






Downloaded by RadioAmateur.EU

PLL UNIT



10 MAIN UNIT J1
10 MAIN UNIT J2

from MAIN UNIT J4

10 FRONT UNIT J3

13V
13V
8V
-5V
GND