



Mar. 2010

SERVICE MANUAL ADDENDUM

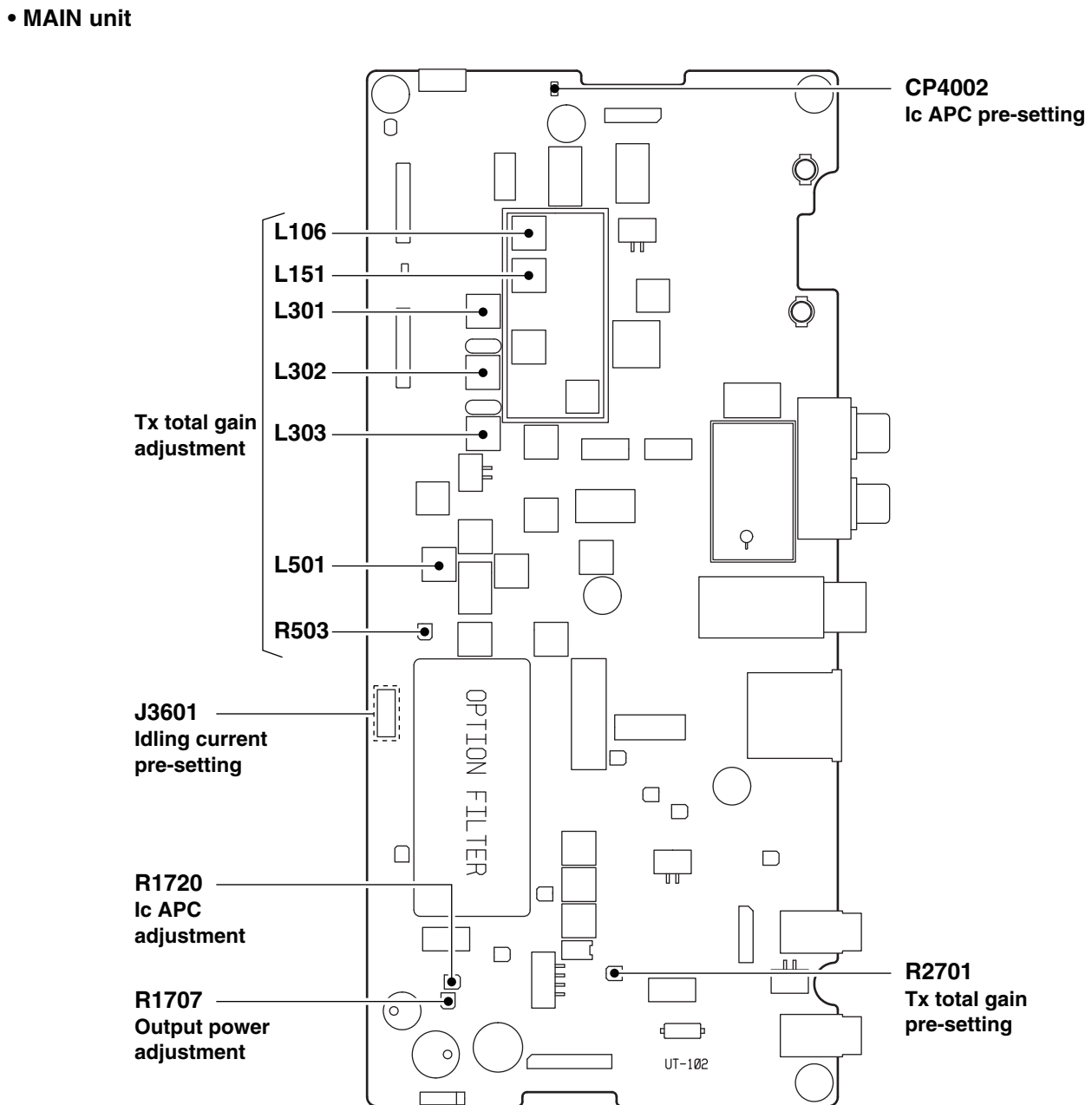
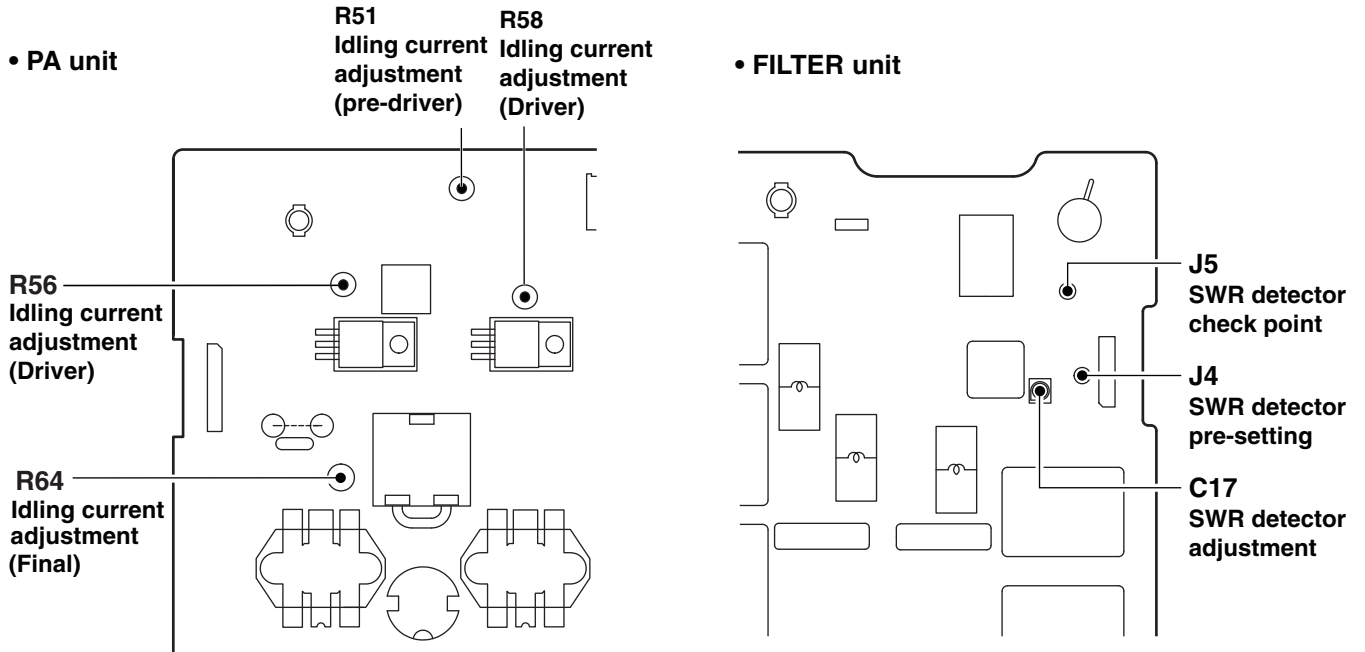
IC-718 IC-725B

CONTENTS

REPLACEMENT PAGES	5-4 and 5-5
PARTS LIST	1
VOLTAGE DIAGRAM	15

5-3 TRANSMITTER ADJUSTMENTS

ADJUSTMENT	ADJUSTMENT CONDITION	MEASUREMENT		VALUE	ADJUSTMENT POINT		
		UNIT	LOCATION		UNIT	ADJUST	
IDLING CURRENT (for pre-driver)	1	<ul style="list-style-type: none"> • Display frequency : 14.10000 MHz • Mode : USB • RF power : Minimum (L) • Mic gain : Minimum (0) • Disconnect J3601 (MAIN unit) and preset R51, R56, R58, R64 (PA unit) to counterclockwise. • Transmitting 	PA	1) Connect a digital multimeter to the CP1. 2) Connect an ammeter (10 A) between the power supply and IC-718.	1) Set the voltage to 0.5 V. 2) Measure the idling current, and note it as the "initial value."	PA	R51
	2	<ul style="list-style-type: none"> • Transmitting 			+400 mA more than the initial value	R56	
					+400 mA more than the step "2"	R58	
	3				+2.0 A more than the step "3"	R64	
(for driver)	4	<ul style="list-style-type: none"> • Transmitting 					
(for final amplifier)							
After the "IDLING CURRENT" adjustment, recover the connection of J3601.							
SWR DETECTOR	1	<ul style="list-style-type: none"> • Display frequency : 14.10000 MHz • Mode : USB • RF power : Maximum (H) • Connect J4 (FILTER unit) to GND. • Connect an audio generator to [MIC] connector and set as; Frequency :1.5 kHz Level :30 mVrms • Transmitting 	Rear panel	Connect an RF power meter to [ANT] connector.	100 W	Front panel	Mic gain control in the "quick set mode."
	2	<ul style="list-style-type: none"> • Transmitting 	FILTER	Connect a digital multimeter to J5.	Minimum voltage	FILTER	C17
After the "SWR DETECTOR" adjustment, recover the connection of J4.							
TRANSMITTER TOTAL GAIN	1	<ul style="list-style-type: none"> • Display frequency : 14.10000 MHz • Mode : USB • RF power : Maximum (H) • R2701 (MAIN unit) : Center • Mic gain : Center (50) • Connect an audio generator to [MIC] connector and set as; Frequency :1.5 kHz Level :3 mVrms • Transmitting 	Rear panel	Connect an RF power meter to [ANT] connector.	Maximum output power	MAIN	L106, L151, L301, L302, L303, L501
	2	<ul style="list-style-type: none"> • Transmitting 			50W		R503
OUTPUT POWER	1	<ul style="list-style-type: none"> • Display frequency : 14.10000 MHz • Mode : USB • RF power : Maximum (H) • Mic gain : Center (50) • Connect an audio generator to [MIC] connector and set as; Frequency :1.5 kHz Level :30 mVrms • Transmitting 	Rear panel	Connect an RF power meter to [ANT] connector.	100 W	MAIN	R1707
Ic APC	1	<ul style="list-style-type: none"> • Display frequency : 3.55000 MHz • Mode : USB • RF power : Maximum (H) • Mic gain : Center (50) • Connect CP4002 (MAIN unit) to GND. • Connect an audio generator to [MIC] connector and set as; Frequency :1.5 kHz Level :30 mVrms • Transmitting 	Rear panel	Connect an ammeter (30 A) between power supply and the IC-718.	22 A	MAIN	R1720
After the "Ic APC" adjustment, recover the connection of CP4002.							



[MAIN UNIT]

REF NO.	ORDER NO.	DESCRIPTION
C3001	4030011600	S.CER C1608 JB 1E 104K-T
C3002	4030011600	S.CER C1608 JB 1E 104K-T
C3003	4030011600	S.CER C1608 JB 1E 104K-T
C3004	4030011600	S.CER C1608 JB 1E 104K-T
C3005	4030011600	S.CER C1608 JB 1E 104K-T
C3006	4510004591	ELE 16 ME 470 HC
C3007	4510004591	ELE 16 ME 470 HC
C3101	4030011600	S.CER C1608 JB 1E 104K-T
C3301	4030011600	S.CER C1608 JB 1E 104K-T
C3302	4030011600	S.CER C1608 JB 1E 104K-T
C3401	4510004990	ELE 16 ME 100 HC
C3402	4030011600	S.CER C1608 JB 1E 104K-T
C3403	4030011600	S.CER C1608 JB 1E 104K-T
C3404	4510004990	ELE 16 ME 100 HC
C3501	4510008520	S.ELE EEE1CA470SP
C3502	4030011600	S.CER C1608 JB 1E 104K-T
C3503	4510008570	S.ELE EEE1CA220SR
C3504	4030011600	S.CER C1608 JB 1E 104K-T
C3505	4030006880	S.CER C1608 JB 1H 472K-T
C3506	4030011600	S.CER C1608 JB 1E 104K-T
C3507	4510008520	S.ELE EEE1CA470SP
C3508	4510008520	S.ELE EEE1CA470SP
C3509	4030011600	S.CER C1608 JB 1E 104K-T
C3510	4510008540	S.ELE EEE1CA100SR
C3511	4030011600	S.CER C1608 JB 1E 104K-T
C3512	4510008520	S.ELE EEE1CA470SP
C3513	4030011600	S.CER C1608 JB 1E 104K-T
C3601	4510008540	S.ELE EEE1CA100SR
C3602	4030011600	S.CER C1608 JB 1E 104K-T
C3702	4550006390	S.TAN TEESVA 1C 335M8R
C3801	4030006880	S.CER C1608 JB 1H 472K-T
C4003	4030011600	S.CER C1608 JB 1E 104K-T
C4005	4030011600	S.CER C1608 JB 1E 104K-T
C4006	4030011600	S.CER C1608 JB 1E 104K-T
C4007	4030011600	S.CER C1608 JB 1E 104K-T
C4008	4030011600	S.CER C1608 JB 1E 104K-T
C4009	4030011600	S.CER C1608 JB 1E 104K-T
C4101	4030006880	S.CER C1608 JB 1H 472K-T
C4102	4030006880	S.CER C1608 JB 1H 472K-T
C4103	4030006880	S.CER C1608 JB 1H 472K-T
C4104	4030006880	S.CER C1608 JB 1H 472K-T
C4105	4030006880	S.CER C1608 JB 1H 472K-T
C4106	4030006880	S.CER C1608 JB 1H 472K-T
C4107	4030006880	S.CER C1608 JB 1H 472K-T
C4200	4030006880	S.CER C1608 JB 1H 472K-T
C4201	4030007090	S.CER C1608 CH 1H 470J-T
C4202	4030007090	S.CER C1608 CH 1H 470J-T
C4203	4030007090	S.CER C1608 CH 1H 470J-T
C4204	4030007090	S.CER C1608 CH 1H 470J-T
C4205	4030007090	S.CER C1608 CH 1H 470J-T
C4206	4030007090	S.CER C1608 CH 1H 470J-T
C4207	4030007090	S.CER C1608 CH 1H 470J-T
C4208	4030007090	S.CER C1608 CH 1H 470J-T
C4209	4030007090	S.CER C1608 CH 1H 470J-T
C4210	4030007090	S.CER C1608 CH 1H 470J-T
C4211	4030006880	S.CER C1608 JB 1H 472K-T
C4212	4030006880	S.CER C1608 JB 1H 472K-T
C4213	4030006880	S.CER C1608 JB 1H 472K-T
C4214	4030006880	S.CER C1608 JB 1H 472K-T
C4215	4030006880	S.CER C1608 JB 1H 472K-T
C4216	4030006880	S.CER C1608 JB 1H 472K-T
C4217	4030006880	S.CER C1608 JB 1H 472K-T
C4218	4030006880	S.CER C1608 JB 1H 472K-T
C4219	4030006880	S.CER C1608 JB 1H 472K-T
C4220	4030011600	S.CER C1608 JB 1E 104K-T
C4221	4030006880	S.CER C1608 JB 1H 472K-T
C4222	4030006880	S.CER C1608 JB 1H 472K-T
C4223	4030006880	S.CER C1608 JB 1H 472K-T
C4224	4030006880	S.CER C1608 JB 1H 472K-T
C4225	4030006880	S.CER C1608 JB 1H 472K-T
C4226	4030006880	S.CER C1608 JB 1H 472K-T
C4227	4030011600	S.CER C1608 JB 1E 104K-T
C4401	4030006880	S.CER C1608 JB 1H 472K-T
C4402	4030006880	S.CER C1608 JB 1H 472K-T
C4403	4030006880	S.CER C1608 JB 1H 472K-T
C4404	4030006880	S.CER C1608 JB 1H 472K-T
C4405	4030006880	S.CER C1608 JB 1H 472K-T
C4407	4030006880	S.CER C1608 JB 1H 472K-T
C4408	4030006880	S.CER C1608 JB 1H 472K-T
C4409	4030006880	S.CER C1608 JB 1H 472K-T
C4410	4030006880	S.CER C1608 JB 1H 472K-T
C4411	4030006880	S.CER C1608 JB 1H 472K-T
C4412	4030006880	S.CER C1608 JB 1H 472K-T
C4413	4030006880	S.CER C1608 JB 1H 472K-T
C4414	4030006880	S.CER C1608 JB 1H 472K-T
C4415	4030011600	S.CER C1608 JB 1E 104K-T
C4416	4030006880	S.CER C1608 JB 1H 472K-T
C4417	4030006880	S.CER C1608 JB 1H 102K-T
C4501	4030006880	S.CER C1608 JB 1H 472K-T
C4502	4030006860	S.CER C1608 JB 1H 102K-T
C4648	4030006880	S.CER C1608 JB 1H 472K-T
C4651	4030006880	S.CER C1608 JB 1H 472K-T
C4653	4030006880	S.CER C1608 JB 1H 472K-T
C4654	4030006880	S.CER C1608 JB 1H 472K-T
C4655	4030006880	S.CER C1608 JB 1H 472K-T
C4656	4030006880	S.CER C1608 JB 1H 472K-T
C4659	4030006880	S.CER C1608 JB 1H 472K-T
C4660	4030006880	S.CER C1608 JB 1H 472K-T
C4661	4030006880	S.CER C1608 JB 1H 472K-T
C4662	4030006880	S.CER C1608 JB 1H 472K-T
C4801	4030006880	S.CER C1608 JB 1H 472K-T
C4802	4030006880	S.CER C1608 JB 1H 472K-T
C4803	4030006880	S.CER C1608 JB 1H 472K-T
C5001	4030006860	S.CER C1608 JB 1H 102K-T

[MAIN UNIT]

REF NO.	ORDER NO.	DESCRIPTION
C5101	4030006880	S.CER C1608 JB 1H 472K-T
C5102	4030006880	S.CER C1608 JB 1H 472K-T
RL4801	6330001320	REL AHY103
J1	6510007020	CON TMP-J01X-V6
J201	6510018961	S.CON B2B-PH-SM4-TB(LF)(SN)
J401	6510018961	S.CON B2B-PH-SM4-TB(LF)(SN)
J701	6510007020	CON TMP-J01X-V6
J2001	6510018961	S.CON B2B-PH-SM4-TB(LF)(SN)
J2501	6510019191	S.CON 52365-0871
J2602	6510018971	S.CON B4B-PH-SM4-TB(LF)(SN)
J2603	6510022621	S.CON 10FMN-BMTTR-A-TBT(LF)(SN)
J3601	6510003391	CON B03B-EH-S(LF)(SN)
J4001	6510022621	S.CON 10FMN-BMTTR-A-TBT(LF)(SN)
J4101	6510022611	S.CON 16FMN-BMTTR-A-TBT(LF)(SN)
J4201	6510021722	S.CON 30FLT-SM2-TB(LF)(SN)(M)
J4401	6510021722	S.CON 30FLT-SM2-TB(LF)(SN)(M)
J4501	6450000140	CON HSJ0807-01-010
J4502	6510018961	S.CON B2B-PH-SM4-TB(LF)(SN)
J4651	6510024661	CON TCS5072-1041577
J4801	6450000130	CON JPJ2042-01-110
J5001	6450000140	CON HSJ0807-01-010
J5101	64500001791	CON HLJ7000-016010
EP4801	6910012350	S.BEA MMZ1608Y 102BT

S.=Surface mount

[PLL UNIT]

Table with columns: REF NO., ORDER NO., DESCRIPTION. Contains parts for PLL UNIT including resistors, capacitors, and integrated circuits like C14, C15, C16, etc., up to J4.

[PA UNIT]

Table with columns: REF NO., ORDER NO., DESCRIPTION. Contains parts for PA UNIT including ICs, resistors, capacitors, and integrated circuits like IC1, Q1, Q2, etc., up to C27.

S.=Surface mount

[FILTER UNIT]

REF NO.	ORDER NO.	DESCRIPTION	
C51	4030014460	S.CER	GRM31M2C2H820JV01L(GRM42-6 CH)
C52	4030011550	S.CER	GRM31M2C2H680JV01L(GRM42-6 CH)
C53	4010005730	CER	HM60SJ SL 470J 500V
C54	4010005850	CER	HM95SJ SL 181J 500V
C55	4030011240	S.CER	GRM31M2C2H470JV01L(GRM42-6 CH)
C56	4010005770	CER	HM60SJ SL 820J 500V
C58	4030011240	S.CER	GRM31M2C2H470JV01L(GRM42-6 CH)
C60	4010005620	CER	HM60SJ SL 120J 500V
C61	4030014460	S.CER	GRM31M2C2H820JV01L(GRM42-6 CH)
C63	4030006870	S.CER	C1608 JB 1H 222K-T
C64	4010007590	CER	HM15SJ SL 681J 500V
C65	4010007590	CER	HM15SJ SL 681J 500V
C66	4010007590	CER	HM15SJ SL 681J 500V
C67	4010007590	CER	HM15SJ SL 681J 500V
C68	4010005930	CER	HM11SJ SL 391J 500V
C69	4010005930	CER	HM11SJ SL 391J 500V
C70	4030006880	S.CER	C1608 JB 1H 472K-T
C71	4030006880	S.CER	C1608 JB 1H 472K-T
C72	4030006880	S.CER	C1608 JB 1H 472K-T
C73	4030006880	S.CER	C1608 JB 1H 472K-T
C74	4030006880	S.CER	C1608 JB 1H 472K-T
C75	4030006880	S.CER	C1608 JB 1H 472K-T
C76	4030006880	S.CER	C1608 JB 1H 472K-T
C78	4030011730	S.CER	GRM31M2C2H101JV01L(GRM42-6 CH)
C80	4010005930	CER	HM11SJ SL 391J 500V
C81	4010005930	CER	HM11SJ SL 391J 500V
C101	4010005430	CER	HM60SJ CH 050C 500V
C103	4030011090	S.CER	GRM31M2C2H7R0DV01L(GRM42-6 CH)
C104	4030011550	S.CER	GRM31M2C2H680JV01L(GRM42-6 CH)
C107	4030011170	S.CER	GRM31M2C2H180JV01L(GRM42-6 CH)
C108	4030011510	S.CER	GRM31M2C2H560JV01L(GRM42-6 CH)
C110	4030011090	S.CER	GRM31M2C2H7R0DV01L(GRM42-6 CH)
RL1	6330001471	REL	AJS1311F-K2
RL2	6330001471	REL	AJS1311F-K2
RL3	6330001471	REL	AJS1311F-K2
RL4	6330001471	REL	AJS1311F-K2
RL5	6330001471	REL	AJS1311F-K2
RL6	6330001471	REL	AJS1311F-K2
RL7	6330001471	REL	AJS1311F-K2
RL8	6330001471	REL	AJS1311F-K2
RL9	6330001471	REL	AJS1311F-K2
RL10	6330001471	REL	AJS1311F-K2
RL11	6330001471	REL	AJS1311F-K2
RL12	6330001471	REL	AJS1311F-K2
RL13	6330001330	REL	AG 201344
J1	6510022631	CON	10FMN-BTRK-A(LF)(SN)
J2	6510007020	CON	TMP-J01X-V6
J3	6510007020	CON	TMP-J01X-V6
J4	6910001040	CON	IPS-1136
J5	6910001040	CON	IPS-1136
W2	9001502002	WIR	72/98/030/X98/X98 [USA]
	9001502002	WIR	72/98/030/X98/X98 [EUR]
	9037901027	JUM	73/98/030/X98/X98 [ITA]
	9001502002	WIR	72/98/030/X98/X98 [FRA]
	9001502002	WIR	72/98/030/X98/X98 [ESP]
	9037901027	JUM	73/98/030/X98/X98 [DEN]
	9001502002	WIR	72/98/030/X98/X98 [OTH]
	9037901027	JUM	73/98/030/X98/X98 [CHN]
	9037901027	JUM	73/98/030/X98/X98 [KOR]
	9037901027	JUM	73/98/030/X98/X98 [USA]
	9001502002	WIR	72/98/030/X98/X98 [CHN-01]
W3	6910001031	JUM	IPS-1041-4-PT
W4	6910001031	JUM	IPS-1041-4-PT

[FRONT UNIT]

REF NO.	ORDER NO.	DESCRIPTION	
SP1	2510000671	SPE	VS-C50-0827
W3	8900014740	CAB	OPC-885A (P1,N10,L39) <TJM>
W4	8900014740	CAB	OPC-885A (P1,N10,L39) <TJM>
W5	8900014730	CAB	OPC-683A (P1,N10,L110) <TJM>
EP1	6910012480	E.O	RMS20-250-201-1R
EP2	6450001230	E.O	HLJ0999-01-4802

[LOGIC UNIT]

REF NO.	ORDER NO.	DESCRIPTION
R160	7030003360	S.RES ERJ3GEYJ 221 V (220)
R161	7030003360	S.RES ERJ3GEYJ 221 V (220)
R162	7030003360	S.RES ERJ3GEYJ 221 V (220)
R163	7030003360	S.RES ERJ3GEYJ 221 V (220)
R164	7030003360	S.RES ERJ3GEYJ 221 V (220)
R165	7030003560	S.RES ERJ3GEYJ 103 V (10K)
R166	7030003360	S.RES ERJ3GEYJ 221 V (220)
R169	7030003360	S.RES ERJ3GEYJ 221 V (220)
R171	7030003360	S.RES ERJ3GEYJ 221 V (220)
R172	7030003360	S.RES ERJ3GEYJ 221 V (220)
R173	7030003360	S.RES ERJ3GEYJ 221 V (220)
R174	7030003360	S.RES ERJ3GEYJ 221 V (220)
R175	7030003360	S.RES ERJ3GEYJ 221 V (220)
R176	7030003360	S.RES ERJ3GEYJ 221 V (220)
R177	7030003360	S.RES ERJ3GEYJ 221 V (220)
R179	7030003640	S.RES ERJ3GEYJ 473 V (47K)
R180	7030003640	S.RES ERJ3GEYJ 473 V (47K)
R182	7030003640	S.RES ERJ3GEYJ 473 V (47K)
R185	7030003640	S.RES ERJ3GEYJ 473 V (47K)
R186	7030003360	S.RES ERJ3GEYJ 221 V (220)
R188	7030003520	S.RES ERJ3GEYJ 472 V (4.7K)
R190	7030003440	S.RES ERJ3GEYJ 102 V (1K)
R191	7030003440	S.RES ERJ3GEYJ 102 V (1K)
R193	7030003360	S.RES ERJ3GEYJ 221 V (220)
R195	7030003640	S.RES ERJ3GEYJ 473 V (47K)
R196	7030003640	S.RES ERJ3GEYJ 473 V (47K)
R197	7030003480	S.RES ERJ3GEYJ 222 V (2.2K)
R198	7030003480	S.RES ERJ3GEYJ 222 V (2.2K)
R199	7030003430	S.RES ERJ3GEYJ 821 V (820)
R201	7030003440	S.RES ERJ3GEYJ 102 V (1K)
R211	7030003640	S.RES ERJ3GEYJ 473 V (47K)
R212	7030003360	S.RES ERJ3GEYJ 221 V (220)
W1	7030003860	S.RES ERJ3GE JPW V
W70	7030003860	S.RES ERJ3GE JPW V
W101	7030003860	S.RES ERJ3GE JPW V
W102	7030003860	S.RES ERJ3GE JPW V
C1	4030007030	S.CER C1608 CH 1H 150J-T
C2	4030007030	S.CER C1608 CH 1H 150J-T
C3	4030006900	S.CER C1608 JB 1H 103K-T
C4	4030011600	S.CER C1608 JB 1E 104K-T
C5	4510008540	S.ELE EEE1CA100SR
C6	4030011600	S.CER C1608 JB 1E 104K-T
C7	4510008550	S.ELE EEE1HA010SR
C8	4030011600	S.CER C1608 JB 1E 104K-T
C9	4030006900	S.CER C1608 JB 1H 103K-T
C11	4030011600	S.CER C1608 JB 1E 104K-T
C12	4510008540	S.ELE EEE1CA100SR
C13	4510008540	S.ELE EEE1CA100SR
C14	4030011600	S.CER C1608 JB 1E 104K-T
C15	4030011600	S.CER C1608 JB 1E 104K-T
C16	4510008540	S.ELE EEE1CA100SR
C17	4510008540	S.ELE EEE1CA100SR
C18	4030011600	S.CER C1608 JB 1E 104K-T
C19	4510008540	S.ELE EEE1CA100SR
C20	4030011600	S.CER C1608 JB 1E 104K-T
C21	4030011600	S.CER C1608 JB 1E 104K-T
C22	4030011600	S.CER C1608 JB 1E 104K-T
C40	4030007130	S.CER C1608 CH 1H 101J-T
C41	4030007130	S.CER C1608 CH 1H 101J-T
C42	4030006880	S.CER C1608 JB 1H 472K-T
C43	4030006880	S.CER C1608 JB 1H 472K-T
C44	4030006880	S.CER C1608 JB 1H 472K-T
C45	4030006880	S.CER C1608 JB 1H 472K-T
C46	4030006880	S.CER C1608 JB 1H 472K-T
C47	4030006880	S.CER C1608 JB 1H 472K-T
C101	4030011600	S.CER C1608 JB 1E 104K-T
C102	4030006860	S.CER C1608 JB 1H 102K-T
C103	4030009110	S.CER C3216 JB 1C 474K-T
C111	4030011600	S.CER C1608 JB 1E 104K-T
C112	4030011600	S.CER C1608 JB 1E 104K-T
C113	4030011600	S.CER C1608 JB 1E 104K-T
C114	4030011600	S.CER C1608 JB 1E 104K-T
J1	6510020421	S.CON S4B-PH-SM4-TB(LF)(SN)
J3	6510022621	S.CON 10FMN-BMTTR-A-TBT(LF)(SN)
J4	6510022621	S.CON 10FMN-BMTTR-A-TBT(LF)(SN)
J5	6510022621	S.CON 10FMN-BMTTR-A-TBT(LF)(SN)
J6	6510021722	S.CON 30FLT-SM2-TB(LF)(SN)(M)
J7	6510021722	S.CON 30FLT-SM2-TB(LF)(SN)(M)
J9	6510022611	S.CON 16FMN-BMTTR-A-TBT(LF)(SN)
DS1	5030002490	LCD A0087A LCD83.5*45.5*1.1T LCD
DS70	5040002940	S.LED TLYU1002A(T02)
DS71	5040002940	S.LED TLYU1002A(T02)
DS72	5040002940	S.LED TLYU1002A(T02)
DS73	5040002940	S.LED TLYU1002A(T02)
DS74	5040002940	S.LED TLYU1002A(T02)
DS75	5040002940	S.LED TLYU1002A(T02)
DS76	5040002940	S.LED TLYU1002A(T02)
DS77	5040002940	S.LED TLYU1002A(T02)
DS78	5040002940	S.LED TLYU1002A(T02)
DS79	5040002940	S.LED TLYU1002A(T02)
DS80	5040002940	S.LED TLYU1002A(T02)
DS81	5040002940	S.LED TLYU1002A(T02)
DS82	5040002940	S.LED TLYU1002A(T02)
DS83	5040002940	S.LED TLYU1002A(T02)
DS84	5040002940	S.LED TLYU1002A(T02)
DS85	5040002940	S.LED TLYU1002A(T02)

[LOGIC UNIT]

REF NO.	ORDER NO.	DESCRIPTION
DS86	5040002940	S.LED TLYU1002A(T02)
DS87	5040002940	S.LED TLYU1002A(T02)
DS88	5040002940	S.LED TLYU1002A(T02)
DS89	5040002940	S.LED TLYU1002A(T02)
DS90	5040002940	S.LED TLYU1002A(T02)
EP2	6910012350	S.BEA MMZ1608Y 102BT
EP40	6910012350	S.BEA MMZ1608Y 102BT
EP45	6910012350	S.BEA MMZ1608Y 102BT
EP46	6910012350	S.BEA MMZ1608Y 102BT
EP70	8930051450	LCD SRCN-2241-SP-N-W (SHJ)
EP152	6910012350	S.BEA MMZ1608Y 102BT
EP155	6910012350	S.BEA MMZ1608Y 102BT
EP157	6910012350	S.BEA MMZ1608Y 102BT
EP159	6910012350	S.BEA MMZ1608Y 102BT

S.=Surface mount

[VR UNIT]

REF NO.	ORDER NO.	DESCRIPTION	
R1	7210003040	VAR	TP96D26-22F-10KBX2-2240
R2	7210003030	VAR	TP96D00-22F-10KBX2-2240
R4	7030003540	S.RES	ERJ3GEYJ 682 V (6.8K)
J1	6510022051	S.CON	10FM-1.0SP-1.9-TF(LF)(SN) [USA]
	6510022051	S.CON	10FM-1.0SP-1.9-TF(LF)(SN) [EUR]
	6510022051	S.CON	10FM-1.0SP-1.9-TF(LF)(SN) [ITA]
	6510022051	S.CON	10FM-1.0SP-1.9-TF(LF)(SN) [FRA]
	6510022051	S.CON	10FM-1.0SP-1.9-TF(LF)(SN) [ESP]
	6510022051	S.CON	10FM-1.0SP-1.9-TF(LF)(SN) [DEN]
	6510022051	S.CON	10FM-1.0SP-1.9-TF(LF)(SN) [OTH]
	6510022051	S.CON	10FM-1.0SP-1.9-TF(LF)(SN) [CHN]
	6510022051	S.CON	10FM-1.0SP-1.9-TF(LF)(SN) [KOR]
	6510022050	S.CON	10FM-1.0SP-1.9-TF [USA]
	6510022051	S.CON	10FM-1.0SP-1.9-TF(LF)(SN) [CHN-01]

[MIC UNIT]

REF NO.	ORDER NO.	DESCRIPTION	
J1	6510000191	CON	FM214-8SS(P)-1
J2	6510022621	S.CON	10FMN-BMTTR-A-TBT(LF)(SN)

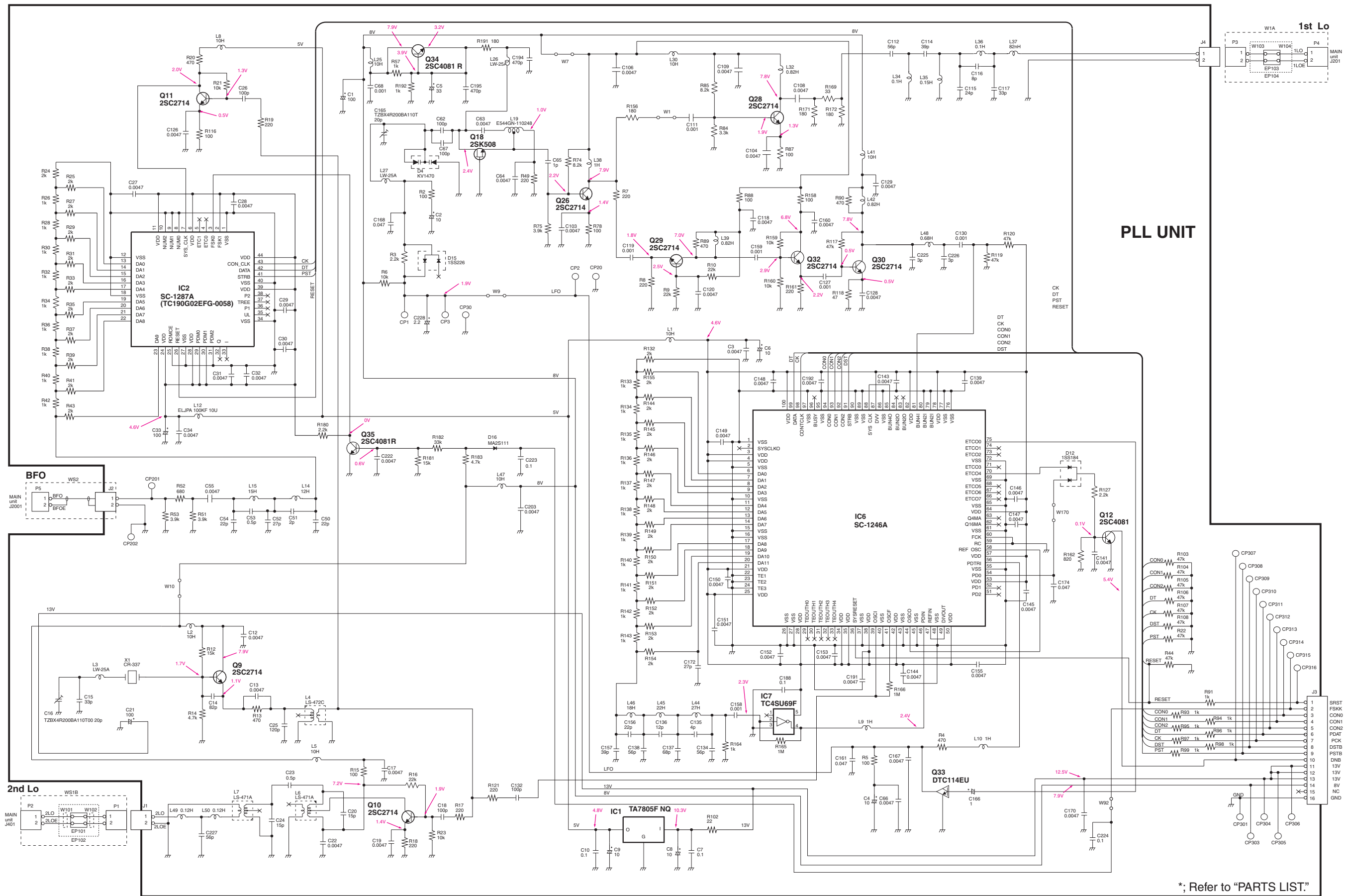
S.=Surface mount

[PHONE UNIT]

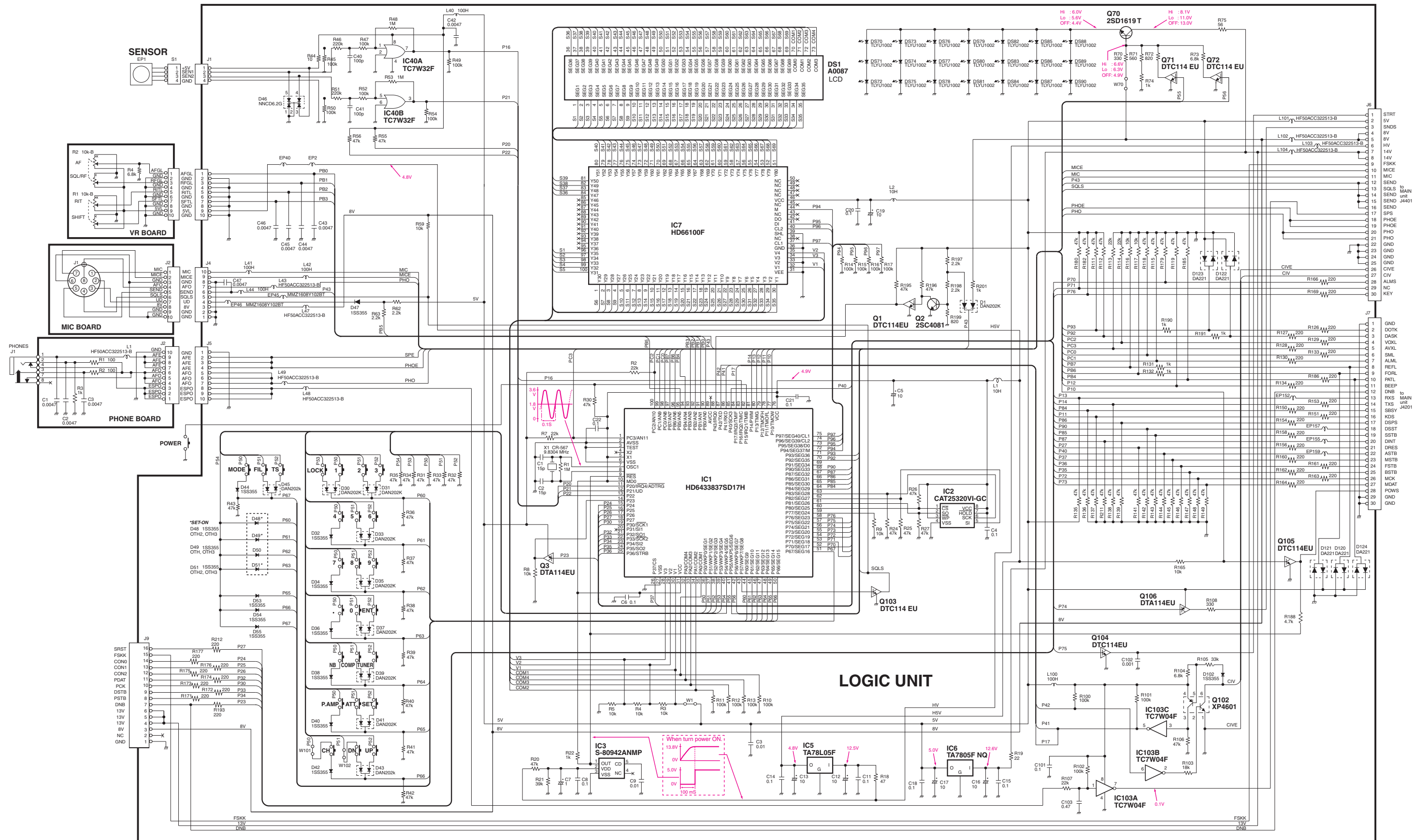
REF NO.	ORDER NO.	DESCRIPTION
L1	6200003950	S.COI HF50ACC 322513-T
R1	7030006070	S.RES ERJ12YJ101U (100)
R2	7030006070	S.RES ERJ12YJ101U (100)
R3	7030003440	S.RES ERJ3GEYJ 102 V (1K)
C1	4030006880	S.CER C1608 JB 1H 472K-T
C2	4030006880	S.CER C1608 JB 1H 472K-T
C3	4030006880	S.CER C1608 JB 1H 472K-T
J1	6450001250	CON HLJ4306-01-3070
J2	6510022621	S.CON 10FMN-BMTTR-A-TBT(LF)(SN)

S.=Surface mount

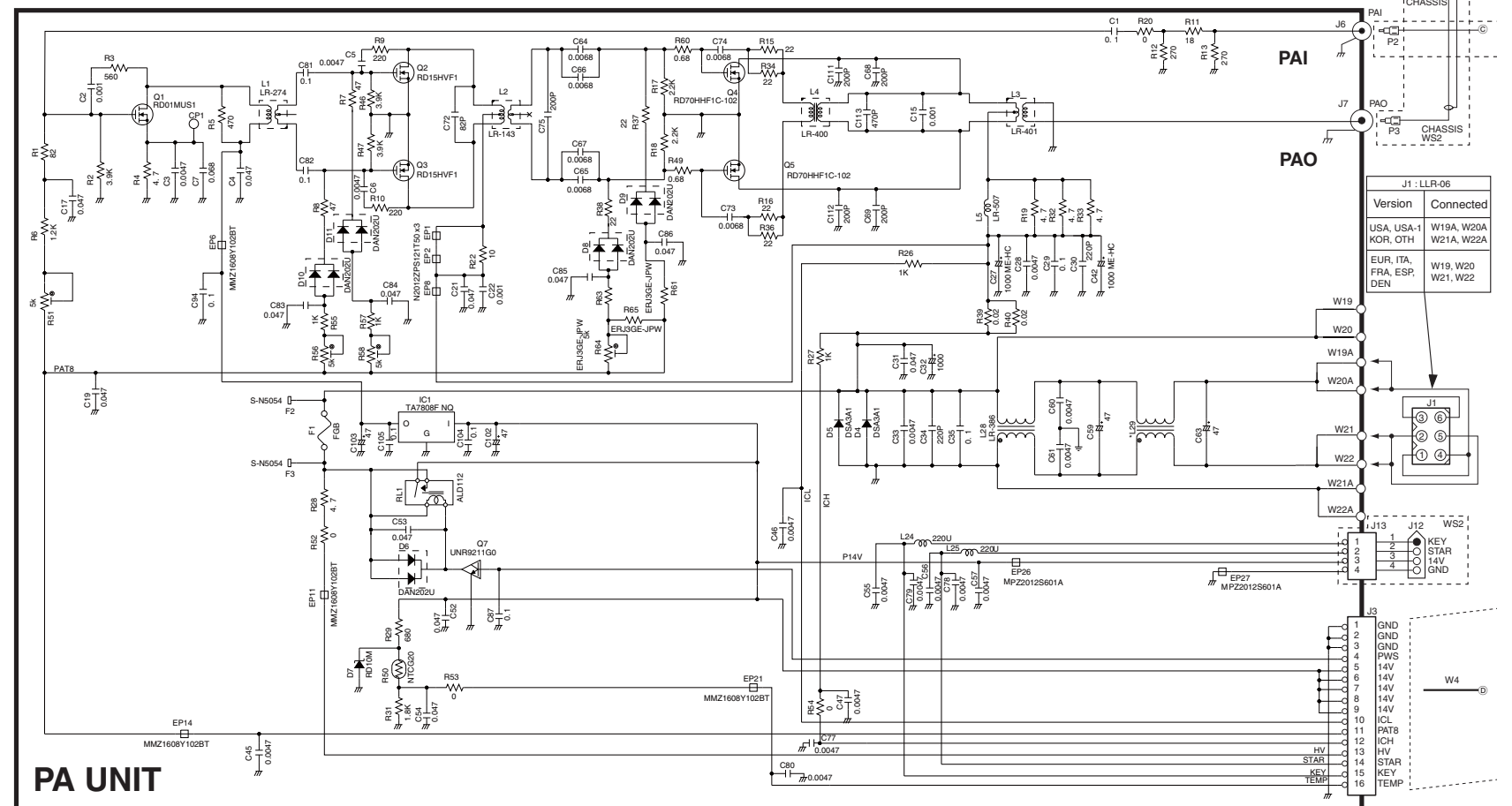
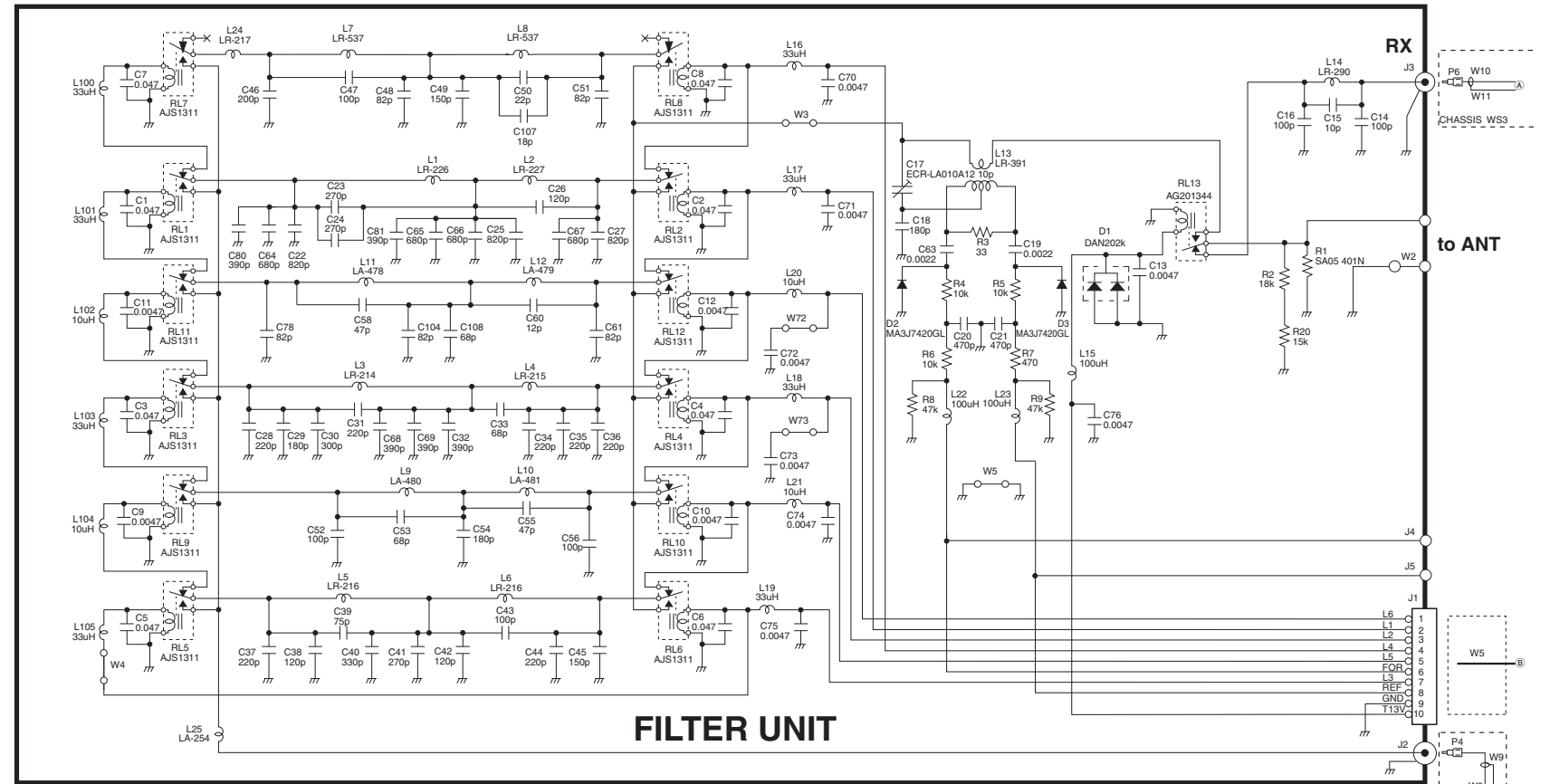
VOLTAGE DIAGRAM



*; Refer to "PARTS LIST."

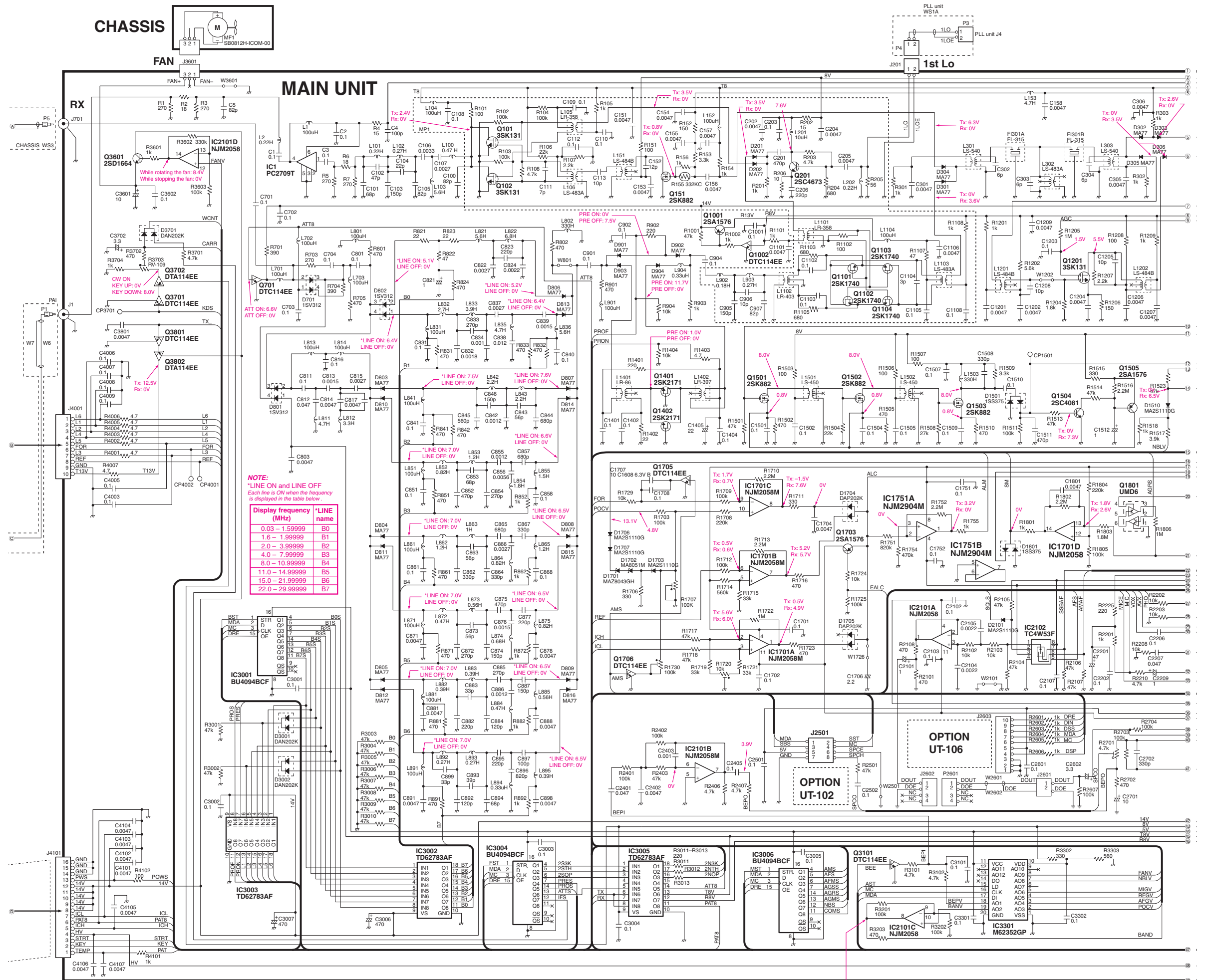


*; Refer to "PARTS LIST."



J1 - LLR-06	
Version	Connected
USA, USA-1	W19A, W20A
KOR, OTH	W21A, W22A
EUR, ITA, FRA, ESP, DEN	W19, W20, W21, W22

*; Refer to "PARTS LIST."

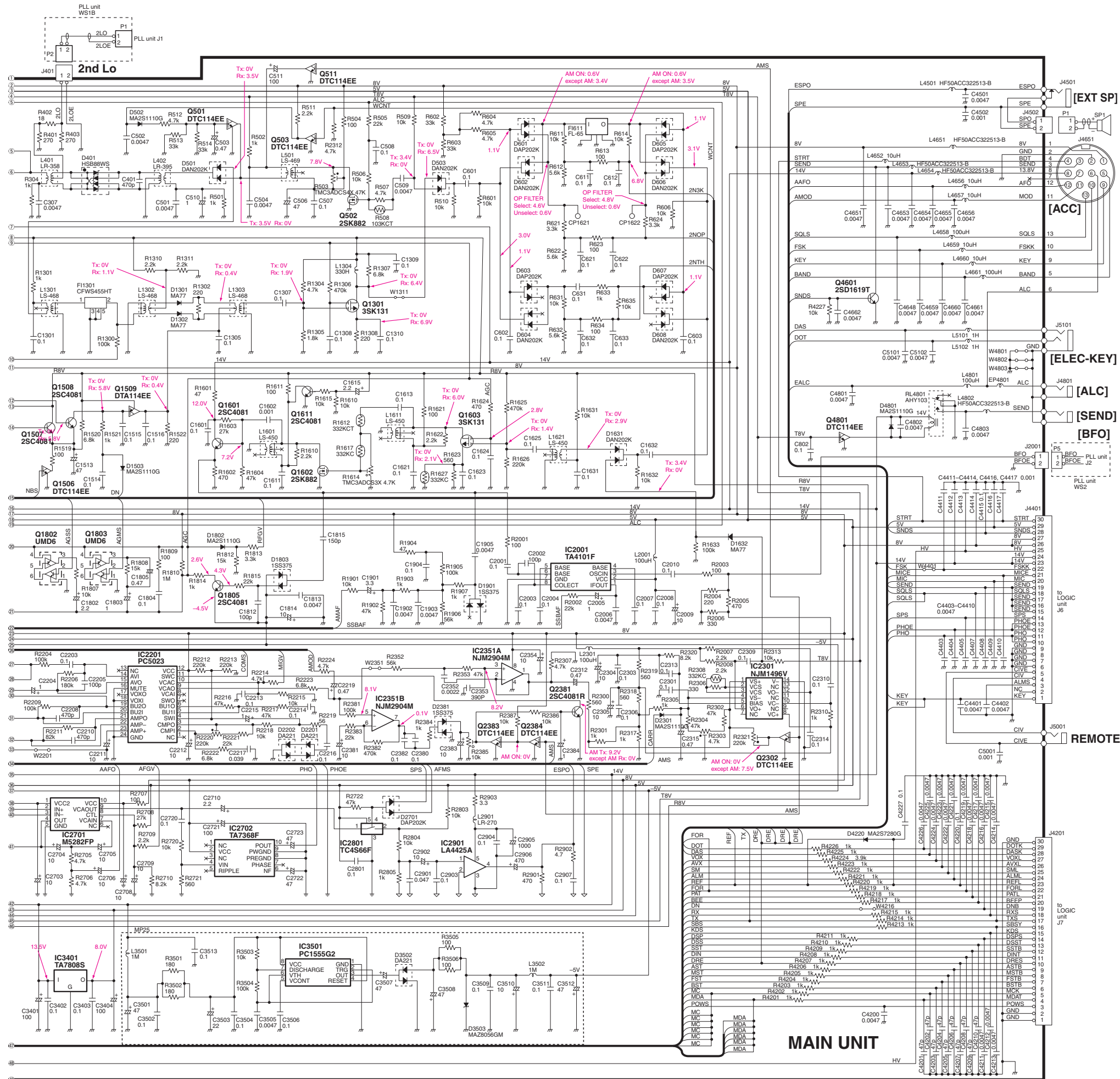


NOTE:
"LINE ON" and "LINE OFF"
Each line is ON when the frequency
is displayed in the table below.

Display frequency (MHz)	"LINE" name
0.03 - 1.99999	B0
1.6 - 1.99999	B1
2.0 - 3.99999	B2
4.0 - 7.99999	B3
8.0 - 10.99999	B4
11.0 - 14.99999	B5
15.0 - 21.99999	B6
22.0 - 29.99999	B7

Display frequency (MHz)	Voltage (V)	Display frequency (MHz)	Voltage (V)
0.03 - 1.99999	7.4	11.0 - 14.99999	4.0
2.0 - 3.99999	6.0	15.0 - 21.99999	3.1
4.0 - 7.99999	5.0	22.0 - 29.99999	2.2
8.0 - 10.99999	0		

*; Refer to "PARTS LIST."



*, Refer to "PARTS LIST."