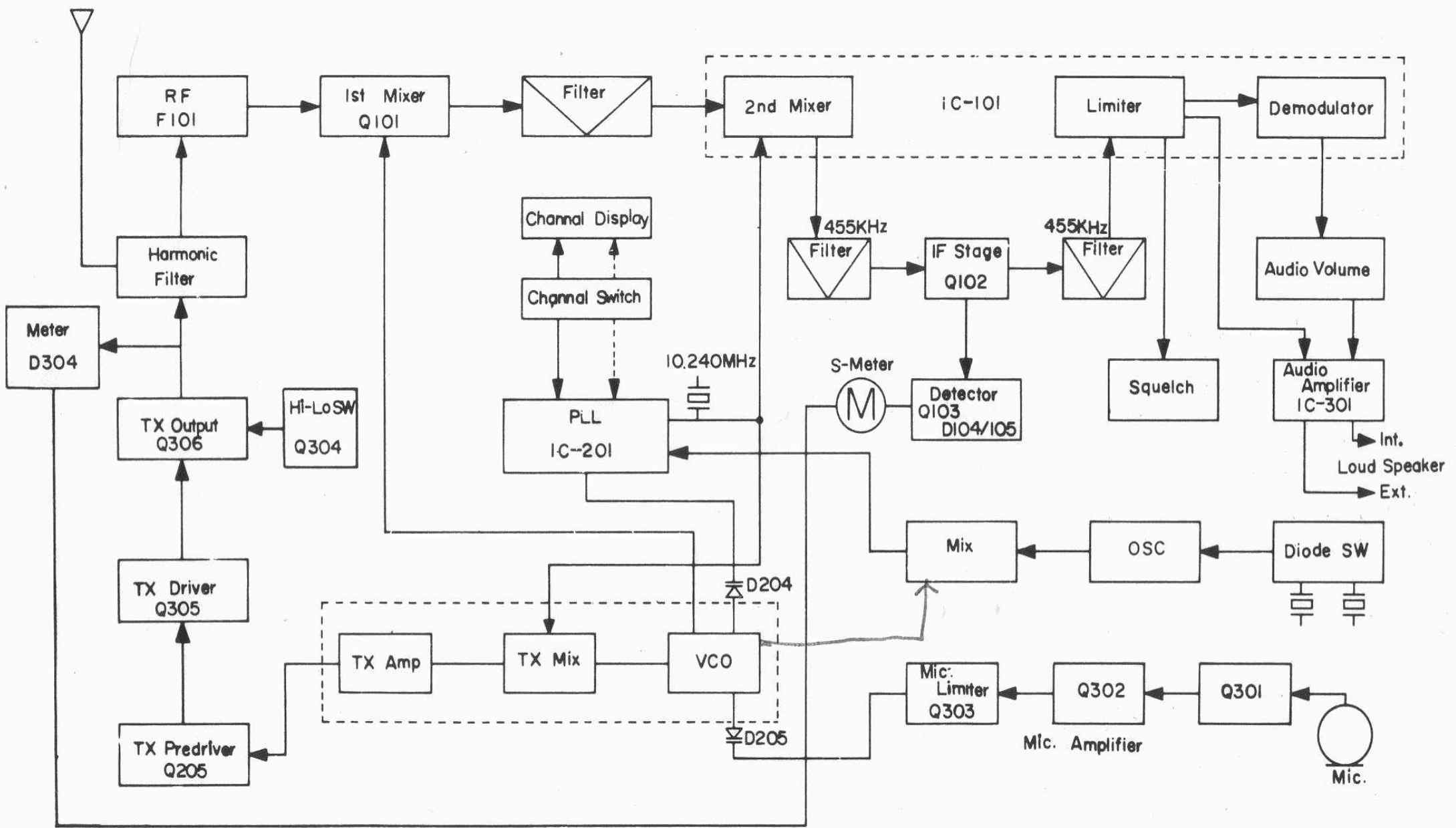
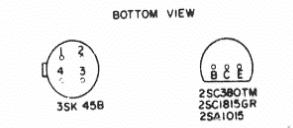
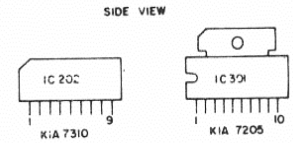
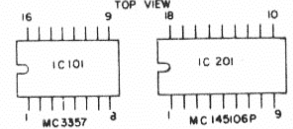
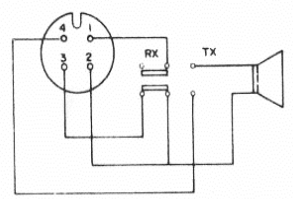
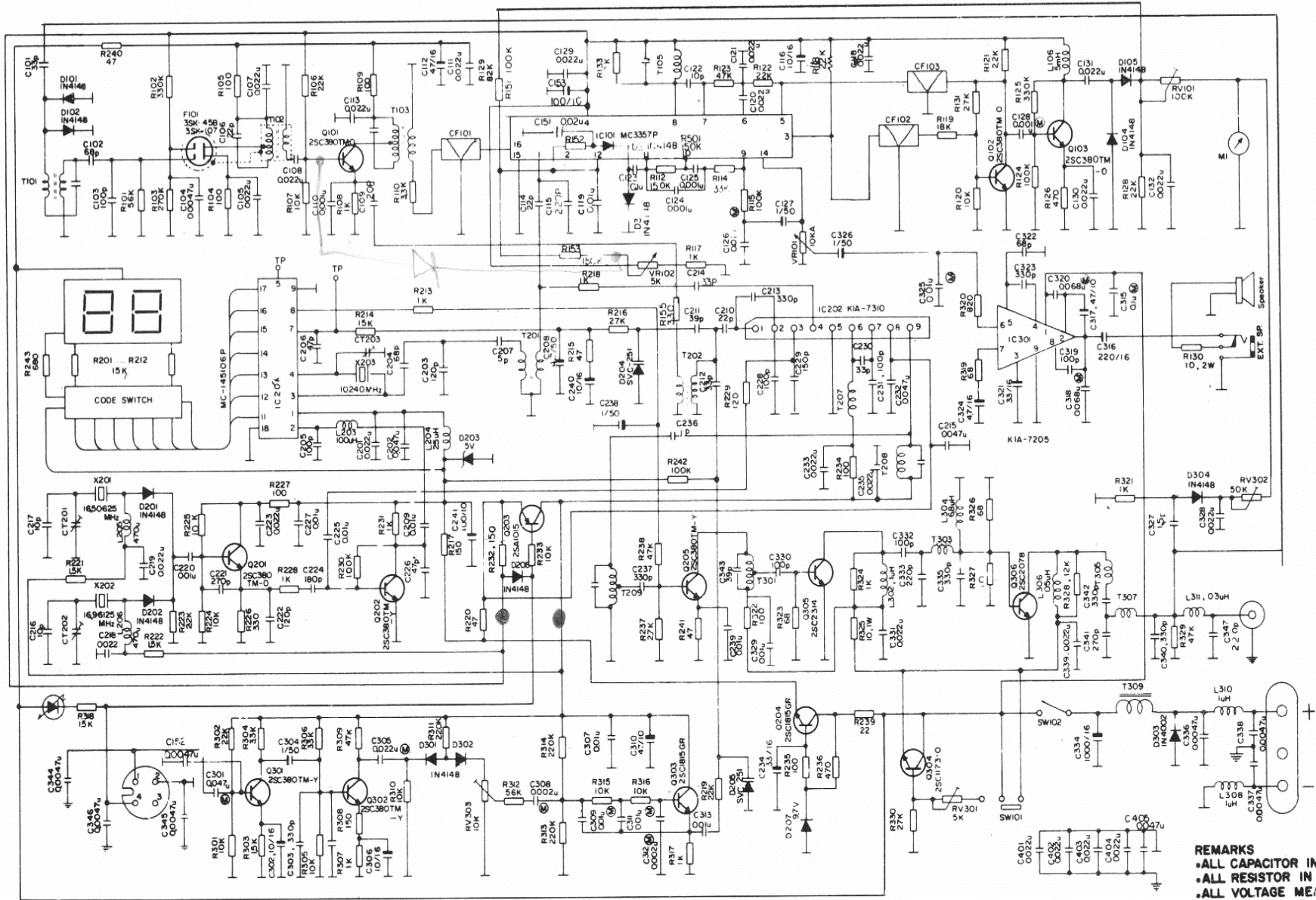


ICB-1050
BLOCK DIAGRAM



Icom 10.50

SCHEMATIC DIAGRAM



SCHEMATIC DIAGRAM

REMARKS
 • ALL CAPACITOR IN FARAD
 • ALL RESISTOR IN OHM
 • ALL VOLTAGE MEASUREMENT AGAINST GROUND
 • AT MIN VOLUME AND SQUELCH