

Jan. 2010



SERVICE MANUAL ADDENDUM

IC-R20

CONTENTS

PARTS LIST	1
UNIT LAYOUTS	14
VOLTAGE DIAGRAM	16

[1STBVC0 UNIT]

REF NO.	PARTS NO.	DESCRIPTION	M.	H/V LOCATION
R47	7030005120	S.RES ERJ2GEJ 102 X (1K)	B	6.4/16.7
R48	7030005120	S.RES ERJ2GEJ 102 X (1K)	B	5.8/15.1
R49	7030008300	S.RES ERJ2GEJ 184 X (180K)	B	5.1/16.7
R50	7030005090	S.RES ERJ2GEJ 104 X (100K)	B	3.3/13.3
R51	7030005090	S.RES ERJ2GEJ 104 X (100K)	B	4.3/13.4
R52	7030005090	S.RES ERJ2GEJ 104 X (100K)	B	4.3/11
R53	7030005570	S.RES ERJ2GEJ 820 X (82)	B	12.2/16.3
R54	7030004970	S.RES ERJ2GEJ 470 X (47)	T	3.3/12.1
R55	7030005120	S.RES ERJ2GEJ 102 X (1K) [EUR]	B	5.9/13.8
	7030005120	S.RES ERJ2GEJ 102 X (1K) [UK]		
	7030005120	S.RES ERJ2GEJ 102 X (1K) [USA]		
	7030005120	S.RES ERJ2GEJ 102 X (1K) [FRA]		
	7030010040	S.RES ERJ2GEJ-JPW [SEA]		
	7030010040	S.RES ERJ2GEJ-JPW [EXP-01]		
	7030010040	S.RES ERJ2GEJ-JPW [EXP-02]		
	7030005120	S.RES ERJ2GEJ 102 X (1K) [CAN]		
R56	7030010040	S.RES ERJ2GEJ-JPW [CHN]	B	5.9/12.8
	7030005120	S.RES ERJ2GEJ 102 X (1K) [EUR]		
	7030005120	S.RES ERJ2GEJ 102 X (1K) [UK]		
	7030005120	S.RES ERJ2GEJ 102 X (1K) [USA]		
	7030005120	S.RES ERJ2GEJ 102 X (1K) [FRA]		
	7030010040	S.RES ERJ2GEJ-JPW [SEA]		
	7030010040	S.RES ERJ2GEJ-JPW [EXP-01]		
	7030010040	S.RES ERJ2GEJ-JPW [EXP-02]		
	7030005120	S.RES ERJ2GEJ 102 X (1K) [CAN]		
	7030010040	S.RES ERJ2GEJ-JPW [CHN]		
R57	7030005120	S.RES ERJ2GEJ 102 X (1K) [EUR]	B	5.9/11.8
	7030005120	S.RES ERJ2GEJ 102 X (1K) [UK]		
	7030005120	S.RES ERJ2GEJ 102 X (1K) [USA]		
	7030005120	S.RES ERJ2GEJ 102 X (1K) [FRA]		
	7030010040	S.RES ERJ2GEJ-JPW [SEA]		
	7030010040	S.RES ERJ2GEJ-JPW [EXP-01]		
	7030010040	S.RES ERJ2GEJ-JPW [EXP-02]		
	7030005120	S.RES ERJ2GEJ 102 X (1K) [CAN]		
	7030010040	S.RES ERJ2GEJ-JPW [CHN]		
C1	4030017460	S.CER ECJ0EB1E102K	T	3.1/2.2
C2	4030017460	S.CER ECJ0EB1E102K	T	9.1/4.1
C3	4030017350	S.CER ECJ0EC1H020B	T	18/4.2
C4	4030017350	S.CER ECJ0EC1H020B	T	19/2.2
C5	4030017460	S.CER ECJ0EB1E102K	T	16.7/2.2
C6	4030016930	S.CER ECJ0EB1A104K	T	14.1/2.5
C7	4030017530	S.CER ECJ0EC1H0R5B	T	19.3/3.2
C8	4030016930	S.CER ECJ0EB1A104K	T	19/4.5
C9	4030017460	S.CER ECJ0EB1E102K	T	4.2/8
C10	4030017460	S.CER ECJ0EB1E102K	T	6.3/8.6
C11	4030017350	S.CER ECJ0EC1H020B	T	15.4/6.5
C12	4030017460	S.CER ECJ0EB1E102K	T	11.1/6.7
C13	4030016930	S.CER ECJ0EB1A104K	T	10.4/8.4
C14	4030017530	S.CER ECJ0EC1H0R5B	T	16.1/8.1
C15	4030016930	S.CER ECJ0EB1A104K	T	16.4/6.8
C16	4030017570	S.CER ECJ0EC1H040B	T	14.8/8.4
C17	4030017460	S.CER ECJ0EB1E102K	T	3.3/10.2
C18	4030017460	S.CER ECJ0EB1E102K	T	5.7/12.1
C19	4030017600	S.CER ECJ0EC1H080C	T	15.5/12.7
C20	4030017570	S.CER ECJ0EC1H040B	T	15.3/10.9
C21	4030017460	S.CER ECJ0EB1E102K	T	11.5/11.7
C22	4030016930	S.CER ECJ0EB1A104K	T	10/11.8
C23	4030017530	S.CER ECJ0EC1H0R5B	T	17/12.1
C24	4030016930	S.CER ECJ0EB1A104K	T	17.4/10.8
C25	4030017460	S.CER ECJ0EB1E102K	T	3.1/15.6
C26	4030017460	S.CER ECJ0EB1E102K	T	4.4/15.5
C27	4030017540	S.CER ECJ0EC1HR75B	T	9.2/17.9
C28	4030017540	S.CER ECJ0EC1HR75B	T	7.9/17
C29	4030017460	S.CER ECJ0EB1E102K	T	10.8/16.6
C30	4030017460	S.CER ECJ0EB1E102K	T	15.8/14.8
C31	4030017460	S.CER ECJ0EB1E102K	B	1.7/16.9
C35	4030017770	S.CER ECJ0EB1E332K	B	10.2/7.4
C37	4550003220	S.TAN TEESVA 1E 105M8R	B	12.9/2.4
C38	4550000930	S.TAN TEESVA 1D 684M8R	B	5.6/6
C39	4550000930	S.TAN TEESVA 1D 684M8R	B	8.1/6.8
C40	4030016790	S.CER ECJ0EB1C103K	B	3.6/5.9
C41	4030017460	S.CER ECJ0EB1E102K	B	13.2/8.6
C42	4030017460	S.CER ECJ0EB1E102K	B	15.5/8
C43	4030017350	S.CER ECJ0EC1H020B	B	16.2/12.3
C44	4030017460	S.CER ECJ0EB1E102K	B	18.3/11.6
C45	4030017530	S.CER ECJ0EC1H0R5B	T	17.2/17.3
C46	4030017460	S.CER ECJ0EB1E102K	B	19.9/10.1
C47	4030017460	S.CER ECJ0EB1E102K	B	18.4/13.5
C48	4340000290	S.MYL ECHU 1C 103JX5	B	4.9/2.5
C49	4030017620	S.CER ECJ0EC1H100C	B	21.4/10.6
C50	4030017380	S.CER ECJ0EC1H050B	B	16.3/16.8
C52	4030017460	S.CER ECJ0EB1E102K	B	23.8/15.4
C53	4030017460	S.CER ECJ0EB1E102K	B	19.9/15.5
C54	4030017460	S.CER ECJ0EB1E102K	T	20.3/4.7
C55	4030017460	S.CER ECJ0EB1E102K	T	19.4/7.1
C56	4030017460	S.CER ECJ0EB1E102K	T	19.5/10.2
C57	4030017460	S.CER ECJ0EB1E102K	T	17.4/16.2
C58	4030016930	S.CER ECJ0EB1A104K	B	20.6/1.6
C59	4030016790	S.CER ECJ0EB1C103K	B	3.6/17.2
C60	4030016790	S.CER ECJ0EB1C103K	B	6.9/15.3
C61	4030016930	S.CER ECJ0EB1A104K	B	13/10.6
C62	4030016930	S.CER ECJ0EB1A104K	B	5/9.5
C63	4030017460	S.CER ECJ0EB1E102K	B	7.7/10.1
C64	4550007600	S.TAN F920J106MPABMA	B	13.9/15
C65	4550007600	S.TAN F920J106MPABMA	B	18.7/2.4
C66	4550007600	S.TAN F920J106MPABMA	B	16.9/2.4
C67	4550007600	S.TAN F920J106MPABMA	B	16.3/4.7
C68	4030017460	S.CER ECJ0EB1E102K [EUR]	B	11.8/9.7
	4030017460	S.CER ECJ0EB1E102K [UK]		
	4030017460	S.CER ECJ0EB1E102K [USA]		
	4030017460	S.CER ECJ0EB1E102K [FRA]		
	4030017460	S.CER ECJ0EB1E102K [CAN]		

[1STBVC0 UNIT]

REF NO.	PARTS NO.	DESCRIPTION	M.	H/V LOCATION
J1	6910015521	CON IMSA-9230B-1-07Z064-PT1		
J2	6910015511	CON IMSA-9230B-1-08Z064-PT1		

M.=Mounted side (T: Mounted on the Top side, B: Mounted on the Bottom side)
S.=Surface mount

[2NDCVCO UNIT]

REF NO.	PARTS NO.	DESCRIPTION	M.	H/V LOCATION
IC1	1130011671	S.IC MB15E03SLPFV1-G-ER-6E1	B	5.6/11.4
Q1	1530003612	S.TRA FH102A-TR-E	T	6.1/11.8
Q3	1530003592	S.TRA 2SC5277A-2-TL-E	T	3.5/8.9
Q4	1530003630	S.TRA 2SC4617 TLS	T	2.3/13.6
D1	1750000741	S.VAR 1SV314(TPH3,F)	T	9.3/9.2
L1	6200009070	S.COI LQW18AN18NG00D (LQW1608A18NG00)	T	7.2/8.1
L2	6200005721	S.COI ELJRE 33NGFA	T	4/13.4
L3	6200005701	S.COI ELJRE 22NGFA	T	7.4/14.6
L4	6200009351	S.COI ELJRE R22GFA	T	5.4/6.3
R1	7030004970	S.RES ERJ2GEJ 470 X (47)	T	6.6/5.5
R2	7030005050	S.RES ERJ2GEJ 103 X (10K)	T	5.5/10
R3	7030005120	S.RES ERJ2GEJ 102 X (1K)	T	9.5/10.3
R4	7030005120	S.RES ERJ2GEJ 102 X (1K)	T	8.8/13.2
R9	7030005580	S.RES ERJ2GEJ 560 X (56)	B	5.9/14.7
R10	7030004980	S.RES ERJ2GEJ 101 X (100)	B	7.3/15.5
R11	7030005120	S.RES ERJ2GEJ 102 X (1K)	B	8.9/6.4
R12	7030005120	S.RES ERJ2GEJ 102 X (1K)	B	6.9/6.4
R13	7030005120	S.RES ERJ2GEJ 102 X (1K)	B	7.9/6.4
R14	7030005530	S.RES ERJ2GEJ 100 X (10)	B	5.1/7.8
R15	7030009270	S.RES ERJ2GEJ 821 X (820)	B	5.6/6.5
R16	7030005120	S.RES ERJ2GEJ 102 X (1K)	T	2.4/5.3
R17	7030008300	S.RES ERJ2GEJ 184 X (180K)	T	2.4/6.3
R18	7030005120	S.RES ERJ2GEJ 102 X (1K)	T	1.2/7.8
R19	7030005120	S.RES ERJ2GEJ 102 X (1K)	T	0.69/9.6
R21	7030005120	S.RES ERJ2GEJ 102 X (1K)	T	1.1/12.3
R22	7030007280	S.RES ERJ2GEJ 331 X (330)	B	5.7/5.3
C1	4550006910	S.TAN TEESVP 1C 334M8R	T	8.7/5.7
C2	4030017390	S.CER ECJ0EC1H180J	T	9.1/8
C3	4030017640	S.CER ECJ0EC1H150J	T	5.4/8.7
C4	4030017620	S.CER ECJ0EB1H100C	T	7.7/10.2
C5	4030017630	S.CER ECJ0EC1H120J	T	8.6/11.2
C6	4030017460	S.CER ECJ0EB1E102K	T	8.6/12.2
C7	4030017570	S.CER ECJ0EC1H040B	T	5.2/13.9
C8	4030017340	S.CER ECJ0EC1H010B	T	6.2/15
C9	4030017380	S.CER ECJ0EC1H050B	T	8.9/14.2
C10	4030017380	S.CER ECJ0EC1H050B	T	8.9/15.2
C16	4030017730	S.CER ECJ0EB1E471K	B	3.4/5.3
C17	4030017380	S.CER ECJ0EC1H050B	B	4.1/14.7
C18	4030017420	S.CER ECJ0EC1H470J	B	8.4/8.1
C19	4030017420	S.CER ECJ0EC1H470J	B	8.7/14.9
C20	4030017420	S.CER ECJ0EC1H470J	B	9.9/13.5
C21	4550007630	S.TAN F920J475MPABMA	B	3/7.2
C22	4030016790	S.CER ECJ0EB1C103K	T	3.7/5.8
C23	4030016790	S.CER ECJ0EB1C103K	T	3/7.3
C24	4030016790	S.CER ECJ0EB1C103K	T	1.9/9.5
C25	4030017460	S.CER ECJ0EB1E102K	B	1.3/13.8
C26	4030016930	S.CER ECJ0EB1A104K	B	1.3/10
C27	4030017460	S.CER ECJ0EB1E102K	B	9.9/10.3
C30	4030017460	S.CER ECJ0EB1E102K	T	4.7/15.2
C31	4030017460	S.CER ECJ0EB1E102K	T	2.5/15.2
C32	4550007600	S.TAN F920J106MPABMA	T	3.1/11.3
C33	4030017350	S.CER ECJ0EC1H020B	T	9.1/7.1
J1	6910010841	CON IMSA-9230B-1-05Z057-PT1		
J2	6910014431	CON IMSA-9230B-1-06Z057-PT1		

[2NDDVCO UNIT]

REF NO.	PARTS NO.	DESCRIPTION	M.	H/V LOCATION
IC1	1130011671	S.IC MB15E03SLPFV1-G-ER-6E1	B	5.6/11.4
Q1	1530003612	S.TRA FH102A-TR-E	T	6.1/11.8
Q3	1530003592	S.TRA 2SC5277A-2-TL-E	T	3.5/8.9
Q4	1530003630	S.TRA 2SC4617 TLS	T	2.2/13.6
D1	1750000711	S.VAR HVC350BTRF-E	T	9.4/9
L1	6200010850	S.COI LQW18AN22NG00D (LQW1608A22NG00)	T	7.2/8.1
L2	6200005741	S.COI ELJRE 47NGFA	T	4/13.4
L3	6200005701	S.COI ELJRE 22NGFA	T	7.4/14.6
L4	6200009351	S.COI ELJRE R22GFA	T	5.4/6.3
R1	7030004970	S.RES ERJ2GEJ 470 X (47)	T	6.6/5.5
R2	7030005240	S.RES ERJ2GEJ 473 X (47K)	T	5.5/10
R3	7030007280	S.RES ERJ2GEJ 331 X (330)	T	9.5/10.2
R4	7030005120	S.RES ERJ2GEJ 102 X (1K)	T	8.8/13.2
R9	7030004990	S.RES ERJ2GEJ 221 X (220)	B	5.9/14.7
R10	7030004980	S.RES ERJ2GEJ 101 X (100)	B	7.3/15.5
R11	7030005120	S.RES ERJ2GEJ 102 X (1K)	B	8.9/6.4
R12	7030005120	S.RES ERJ2GEJ 102 X (1K)	B	6.9/6.5
R13	7030005120	S.RES ERJ2GEJ 102 X (1K)	B	7.9/6.4
R14	7030005530	S.RES ERJ2GEJ 100 X (10)	B	5.1/7.8
R15	7030009270	S.RES ERJ2GEJ 821 X (820)	B	5.6/6.5
R16	7030005120	S.RES ERJ2GEJ 102 X (1K)	T	2.4/5.3
R17	7030008300	S.RES ERJ2GEJ 184 X (180K)	T	2.4/6.3
R18	7030005120	S.RES ERJ2GEJ 102 X (1K)	T	1.2/7.8
R19	7030005120	S.RES ERJ2GEJ 102 X (1K)	T	0.69/9.6
R21	7030005120	S.RES ERJ2GEJ 102 X (1K)	T	1.1/11.9
R22	7030007280	S.RES ERJ2GEJ 331 X (330)	B	5.6/5.3
C1	4550006910	S.TAN TEESVP 1C 334M8R	T	8.7/5.7
C2	4030017500	S.CER ECJ0EC1H560J	T	9.1/7.6
C3	4030017400	S.CER ECJ0EC1H220J	T	5.4/8.7
C4	4030017630	S.CER ECJ0EC1H120J	T	7.7/10.2
C5	4030017650	S.CER ECJ0EC1H270J	T	8.6/11.2
C6	4030017460	S.CER ECJ0EB1E102K	T	8.6/12.2
C7	4030017620	S.CER ECJ0EC1H100C	T	5.2/13.9
C8	4030017570	S.CER ECJ0EC1H040B	T	6.2/15
C9	4030017600	S.CER ECJ0EC1H080C	T	8.9/14.2
C10	4030017600	S.CER ECJ0EC1H080C	T	8.9/15.2
C16	4030017730	S.CER ECJ0EB1E471K	B	3.4/5.3
C17	4030017380	S.CER ECJ0EC1H050B	B	4.1/14.7
C18	4030017420	S.CER ECJ0EC1H470J	B	8.4/8.1
C19	4030017420	S.CER ECJ0EC1H470J	B	8.7/14.9
C20	4030017420	S.CER ECJ0EC1H470J	B	9.9/13.5
C21	4550007630	S.TAN F920J475MPABMA	B	3/7.2
C22	4030016790	S.CER ECJ0EB1C103K	T	3.7/5.8
C23	4030016790	S.CER ECJ0EB1C103K	T	3/7.3
C24	4030016790	S.CER ECJ0EB1C103K	T	1.9/9.5
C25	4030017460	S.CER ECJ0EB1E102K	B	1.3/13.8
C26	4030016930	S.CER ECJ0EB1A104K	B	1.3/10
C27	4030017460	S.CER ECJ0EB1E102K	B	9.9/10.3
C30	4030017460	S.CER ECJ0EB1E102K	T	4.7/15.2
C31	4030017460	S.CER ECJ0EB1E102K	T	2.6/15.2
C32	4550007600	S.TAN F920J106MPABMA	T	3.1/11.2
J1	6910010841	CON IMSA-9230B-1-05Z057-PT1		
J2	6910014431	CON IMSA-9230B-1-06Z057-PT1		

M.=Mounted side (T: Mounted on the Top side, B: Mounted on the Bottom side)
S.=Surface mount

[DOWNCONV UNIT]

REF NO.	PARTS NO.	DESCRIPTION	M.	H/V LOCATION
IC2	1110005120	S.IC UPC2749TB-E3	T	8.4/5.2
IC3	1110005230	S.IC UPC2757TB-E3	T	11/5.5
IC4	1130011671	S.IC MB15E03SLPFV1-G-ER-6E1	B	7.9/9.7
Q1	1530003260	S.TRA 2SC5006-T1	T	7.5/16.9
Q2	1530003260	S.TRA 2SC5006-T1	B	4.8/15.3
Q3	1590003381	S.TRA UNR9111G0L	B	5.8/18.5
Q4	1530003781	S.TRA 2SC5624VH-TL-E	T	1.5/9.2
Q5	1590001810	S.TRA XP1113(TX)	B	8.2/18.2
Q6	1530003592	S.TRA 2SC5277A-2-TL-E	B	3.8/6.4
D1	1790001621	S.DIO 1SV308(TPL3,F)	T	1.4/3.9
D2	1790001621	S.DIO 1SV308(TPL3,F)	B	10.8/3.4
D3	1720000401	S.VAR 1SV245(TPH3,F)	T	11.3/16.5
D5	1790001621	S.DIO 1SV308(TPL3,F)	T	3.9/9
D6	1790001621	S.DIO 1SV308(TPL3,F)	T	3.2/10.9
D7	1790001621	S.DIO 1SV308(TPL3,F)	T	10.8/9.4
D8	1790001621	S.DIO 1SV308(TPL3,F)	T	10.8/10.7
L1	6200005651	S.COI ELJRE 8N2ZFA	T	6.2/4.9
L2	6200005651	S.COI ELJRE 8N2ZFA	T	3.4/6.2
L3	6200004480	S.COI MLF1608D R82K-T	T	6.9/18.7
L4	6200010020	S.COI C2012C-12NG-A	T	9.9/18.5
L6	6200009351	S.COI ELJRE R22GFA	T	11.7/14.9
L7	6200006771	S.COI ELJRE 1N5ZFA	T	4.6/10.9
L8	6200005641	S.COI ELJRE 6N8ZFA	T	3.2/13.4
L9	6200005611	S.COI ELJRE 3N9ZFA	T	4.6/7.6
L10	6200005581	S.COI ELJRE 2N2ZFA	T	8.4/7.8
L11	6200005641	S.COI ELJRE 6N8ZFA	B	10.8/4.7
R1	7030009160	S.RES ERJ2GEJ 181 X (180)	[EUR] T	6.5/3
	7030009160	S.RES ERJ2GEJ 181 X (180)	[UK]	
	7030004980	S.RES ERJ2GEJ 101 X (100)	[USA]	
	7030009160	S.RES ERJ2GEJ 181 X (180)	[FRA]	
	7030004980	S.RES ERJ2GEJ 101 X (100)	[SEA]	
	7030004980	S.RES ERJ2GEJ 101 X (100)	[EXP-01]	
	7030004980	S.RES ERJ2GEJ 101 X (100)	[EXP-02]	
	7030004980	S.RES ERJ2GEJ 101 X (100)	[CAN]	
	7030004980	S.RES ERJ2GEJ 101 X (100)	[CHN]	
R2	7030005000	S.RES ERJ2GEJ 471 X (470)	T	11.4/3.5
R3	7030005040	S.RES ERJ2GEJ 472 X (4.7K)	B	13/3.2
R4	7030005040	S.RES ERJ2GEJ 472 X (4.7K)	T	2.8/3
R5	7030005040	S.RES ERJ2GEJ 472 X (4.7K)	T	2.8/4
R6	7030005040	S.RES ERJ2GEJ 472 X (4.7K)	B	9.9/6
R7	7030005790	S.RES RR0510P-331-D (330)	T	8.1/14.8
R8	7030005820	S.RES RR0510P-103-D (10K)	T	5.8/15
R9	7030006010	S.RES RR0510P-472-D (4.7K)	T	5.6/17.1
R10	7030004970	S.RES ERJ2GEJ 470 X (47)	T	4.7/18.5
R11	7030005300	S.RES ERJ2GEJ 150 X (15)	T	0.69/15.6
R12	7030005530	S.RES ERJ2GEJ 100 X (10)	T	1.8/17.1
R13	7030005300	S.RES ERJ2GEJ 150 X (15)	T	1.2/18.4
R14	7030005720	S.RES ERJ2GEJ 563 X (56K)	B	3.7/18.1
R15	7030004990	S.RES ERJ2GEJ 221 X (220)	B	3.2/15.8
R16	7030007270	S.RES ERJ2GEJ 151 X (150)	B	2.2/16.6
R17	7030005120	S.RES ERJ2GEJ 102 X (1K)	B	4.5/13.7
R18	7030007280	S.RES ERJ2GEJ 331 X (330)	B	9.5/13.5
R19	7030009270	S.RES ERJ2GEJ 821 X (820)	B	9.8/15.3
R20	7030005530	S.RES ERJ2GEJ 100 X (10)	B	8.5/13.5
R21	7030005600	S.RES ERJ2GEJ 273 X (27K)	T	1.8/11.5
R22	7030005040	S.RES ERJ2GEJ 472 X (4.7K)	T	8.7/11
R23	7030005040	S.RES ERJ2GEJ 472 X (4.7K)	T	11.5/8.3
R25	7030005120	S.RES ERJ2GEJ 102 X (1K)	T	6.6/12.5
R26	7030005120	S.RES ERJ2GEJ 102 X (1K)	T	4.8/13.6
R27	7030005040	S.RES ERJ2GEJ 472 X (4.7K)	T	9.8/12.3
R28	7030005530	S.RES ERJ2GEJ 100 X (10)	T	8.1/12
R29	7030005120	S.RES ERJ2GEJ 102 X (1K)	B	3.6/3.2
R30	7030008300	S.RES ERJ2GEJ 184 X (180K)	B	3.1/4.5
R31	7030005120	S.RES ERJ2GEJ 102 X (1K)	B	5.7/4.6
R32	7030005120	S.RES ERJ2GEJ 102 X (1K)	B	5.6/3.3
R33	7030003440	S.RES ERJ3GEYJ 102 V (1K)	T	13.5/16.4
C1	4030017620	S.CER ECJ0EC1H100C	T	10.1/3.3
C2	4030017600	S.CER ECJ0EC1H080C	T	6.4/6.6
C3	4030017580	S.CER ECJ0EC1H060C	T	5.1/6.1
C4	4030017600	S.CER ECJ0EC1H080C	T	3.6/5
C5	4030017730	S.CER ECJ0EB1E471K	T	8.3/3.3
C6	4030017730	S.CER ECJ0EB1E471K	T	11.7/7.3
C7	4030017340	S.CER ECJ0EC1H010B	T	13.1/4.5
C8	4030017350	S.CER ECJ0EC1H020B	T	9.1/16.6
C9	4030017350	S.CER ECJ0EC1H020B	T	9.1/14.8
C10	4030017340	S.CER ECJ0EC1H010B	T	3.6/17.1
C11	4030017460	S.CER ECJ0EB1E102K	T	6.8/14.9
C12	4550007600	S.TAN F920J106MPABMA	T	2.8/15.7
C13	4030017400	S.CER ECJ0EC1H220J	T	12/18.2
C14	4030016930	S.CER ECJ0EB1A104K	B	6.1/16.8
C15	4030017730	S.CER ECJ0EB1E471K	B	3.4/19.1
C16	4030017730	S.CER ECJ0EB1E471K	B	3.7/17.1
C17	4030017730	S.CER ECJ0EB1E471K	B	3.2/14
C18	4030017730	S.CER ECJ0EB1E471K	B	3.7/12.7
C19	4030017730	S.CER ECJ0EB1E471K	T	3.5/18.5
C21	4030017730	S.CER ECJ0EB1E471K	B	12.9/13.3
C22	4550006910	S.TAN TEESVP 1C 334M8R	T	12.1/13.3
C23	4550007070	S.TAN TEESVP 1A 475M8R	B	11.2/14.3
C26	4030016930	S.CER ECJ0EB1A104K	B	2.6/9.3
C27	4030017620	S.CER ECJ0EC1H100C	T	1/13.1
C28	4030017340	S.CER ECJ0EC1H010B	T	6.1/9.8
C29	4030017340	S.CER ECJ0EC1H010B	T	7.4/9.5
C30	4030017350	S.CER ECJ0EC1H020B	T	8.7/10
C31	4030017630	S.CER ECJ0EC1H120J	T	6.1/8.8
C32	4030017400	S.CER ECJ0EC1H220J	T	8.7/9

[DOWNCONV UNIT]

REF NO.	PARTS NO.	DESCRIPTION	M.	H/V LOCATION
C34	4030017730	S.CER ECJ0EB1E471K	T	5.7/11.1
C35	4030017730	S.CER ECJ0EB1E471K	T	2/13.5
C36	4030017350	S.CER ECJ0EC1H020B	T	4.8/12.6
C37	4030017730	S.CER ECJ0EB1E471K	T	8.5/13.1
C38	4030017730	S.CER ECJ0EB1E471K	T	11.2/11.9
C39	4030017340	S.CER ECJ0EC1H010B	T	10.2/7.6
C40	4030017570	S.CER ECJ0EC1H040B	T	10/14.9
C41	4030017640	S.CER ECJ0EC1H150J	T	1.6/6.1
C42	4030017630	S.CER ECJ0EC1H120J	T	5.1/3.5
C43	4030017730	S.CER ECJ0EB1E471K	T	4.1/3.5
C44	4030017730	S.CER ECJ0EB1E471K	B	11.2/6.2
C45	4030017360	S.CER ECJ0EC1H030B	B	12.5/5.2
C46	4030017360	S.CER ECJ0EC1H030B	B	9.1/3.6
C47	4030016790	S.CER ECJ0EB1C103K	B	2.1/4
C48	4030016790	S.CER ECJ0EB1C103K	B	5.9/6
C49	4030016790	S.CER ECJ0EB1C103K	B	4.1/4.5
C50	4030017730	S.CER ECJ0EB1E471K	B	2.4/11.6
C51	4030017730	S.CER ECJ0EB1E471K	B	12.1/7.8
C52	4030017730	S.CER ECJ0EB1E471K	B	2.6/8.3
C53	4030016790	S.CER ECJ0EB1C103K	B	7.4/3.3
C54	4030017420	S.CER ECJ0EC1H470J	B	6.1/13
C55	4030017420	S.CER ECJ0EC1H470J	B	7.5/15.5
C56	4030017420	S.CER ECJ0EC1H470J	T	12.7/3.2
C58	4030016930	S.CER ECJ0EB1A104K	T	4.8/15
J1	6910015511	CON IMSA-9230B-1-08Z064-PT1		
J2	6910015531	CON IMSA-9230B-1-06Z064-PT1		

M.=Mounted side (T: Mounted on the Top side, B: Mounted on the Bottom side)
S.=Surface mount

[LOGIC UNIT]

Table with columns: REF NO., PARTS NO., DESCRIPTION, M., H/V LOCATION. Rows include IC1-IC15, Q1-Q38, D2, D3, D5, D6, D8, D9, D10, D11, D12, D13, D14, D18, D20, D21, D22, D23, D24, D25, D26, D27, D28, D29, D30, D31, D32, D33.

[LOGIC UNIT]

Table with columns: REF NO., PARTS NO., DESCRIPTION, M., H/V LOCATION. Rows include D34-D37, X1, X2, L1, R1-R106.

M.=Mounted side (T: Mounted on the Top side, B: Mounted on the Bottom side) S.=Surface mount

[LOGIC UNIT]

Table with columns: REF NO., PARTS NO., DESCRIPTION, M., H/V LOCATION. Contains parts R107 to R215.

[LOGIC UNIT]

Table with columns: REF NO., PARTS NO., DESCRIPTION, M., H/V LOCATION. Contains parts R216, R217, and C1 to C105.

M.=Mounted side (T: Mounted on the Top side, B: Mounted on the Bottom side) S.=Surface mount

[LOGIC UNIT]

REF NO.	PARTS NO.	DESCRIPTION	M.	H/V LOCATION
C106	4510008040	S.ELE EEFCD 0K 330R	B	39.3/36.2
C107	4550007510	S.TAN F931C106MBABMA	B	28/41.4
C108	4030016930	S.CER ECJ0EB1A104K	B	76.5/40.7
C109	4030016930	S.CER ECJ0EB1A104K	B	76.6/28.6
C110	4030016930	S.CER ECJ0EB1A104K	B	86.7/26.5
C111	4030016930	S.CER ECJ0EB1A104K	B	86.1/13.5
C112	4030016930	S.CER ECJ0EB1A104K	B	83.7/28.6
C113	4030016930	S.CER ECJ0EB1A104K	B	83.4/15
C114	4030017460	S.CER ECJ0EB1E102K	B	52.3/33
C115	4030016930	S.CER ECJ0EB1A104K	B	90.7/11
C116	4030016930	S.CER ECJ0EB1A104K	B	82.1/18.5
C117	4030017490	S.CER C1608 JB 1A 105K-T	B	84.9/38.3
C118	4030017490	S.CER C1608 JB 1A 105K-T	B	84.7/24.8
C119	4030016930	S.CER ECJ0EB1A104K	B	83.6/31.6
C120	4030016930	S.CER ECJ0EB1A104K	B	85.1/17.5
C122	4030016930	S.CER ECJ0EB1A104K	B	84.7/29.5
C123	4030016930	S.CER ECJ0EB1A104K	B	85.7/26.5
C124	4030016930	S.CER ECJ0EB1A104K	B	84.6/16
C125	4030016930	S.CER ECJ0EB1A104K	B	85.2/12.5
C126	4030017490	S.CER C1608 JB 1A 105K-T	B	17.1/9
C127	4030017730	S.CER ECJ0EB1E471K	B	73.3/51.1
C128	4030017730	S.CER ECJ0EB1E471K	B	73.3/39
C131	4030017490	S.CER C1608 JB 1A 105K-T	B	18.4/5.2
C132	4030017490	S.CER C1608 JB 1A 105K-T	B	19.7/9
C133	4030017740	S.CER ECJ0EB1E821K	B	85.2/32.1
C134	4030017740	S.CER ECJ0EB1E821K	B	86.6/17
C135	4030017490	S.CER C1608 JB 1A 105K-T	B	21/5.2
C136	4030017450	S.CER ECJ0EB1E271K	B	87.7/34.6
C137	4030017450	S.CER ECJ0EB1E271K	B	87.6/21
C138	4030017490	S.CER C1608 JB 1A 105K-T	B	22.3/9
C139	4030017460	S.CER ECJ0EB1E102K	B	72.4/40.7
C140	4030017430	S.CER ECJ0EC1H101J	B	73.9/42.2
C141	4030017460	S.CER ECJ0EB1E102K	B	72.4/28.6
C142	4030017430	S.CER ECJ0EC1H101J	B	73.9/30.1
C143	4030017490	S.CER C1608 JB 1A 105K-T	B	23.6/5.2
C144	4030017490	S.CER C1608 JB 1A 105K-T	B	24.9/9
C145	4030016780	S.CER ECJ0EB1C153K	B	77.4/49.7
C146	4030016780	S.CER ECJ0EB1C153K	B	77.4/37.4
C147	4030018100	S.CER ECJ0EB1H681K	B	83.6/36.6
C148	4030018100	S.CER ECJ0EB1H681K	B	83.6/23
C149	4030017490	S.CER C1608 JB 1A 105K-T	B	26.2/5.2
C150	4030017460	S.CER ECJ0EB1E102K	B	77.4/43.7
C151	4030017460	S.CER ECJ0EB1E102K	B	77.4/31.5
C152	4030008680	S.CER C2012 JF 1C 105Z-T	B	28.3/2
C153	4030016930	S.CER ECJ0EB1A104K	B	78.4/46.7
C154	4030016930	S.CER ECJ0EB1A104K	B	78.4/34.5
C155	4030017730	S.CER ECJ0EB1E471K	B	85.2/37.1
C156	4030016930	S.CER ECJ0EB1A104K	B	86.7/30.6
C157	4030017730	S.CER ECJ0EB1E471K	B	85.1/23.5
C158	4030016930	S.CER ECJ0EB1A104K	B	87.6/17
C159	4550007260	S.TAN F931C475MAABMA	B	31.6/2.9
C160	4030017720	S.CER ECJ0EB1H331K	B	77.9/40.2
C161	4030017720	S.CER ECJ0EB1H331K	B	77.9/28.1
C162	4030011600	S.CER C1608 JB 1E 104K-T	B	29.9/2.4
C163	4030017720	S.CER ECJ0EB1H331K	B	77.9/41.2
C164	4030017720	S.CER ECJ0EB1H331K	B	77.9/29.1
C165	4030017760	S.CER ECJ0EB1H222K	B	87.2/37.1
C166	4030018080	S.CER ECJ0EB1H182K	B	89.2/32.1
C167	4030017760	S.CER ECJ0EB1H222K	B	87.1/24.5
C168	4030018080	S.CER ECJ0EB1H182K	B	89.1/18.5
C169	4030016790	S.CER ECJ0EB1C103K	B	89.2/36.1
C170	4030016930	S.CER ECJ0EB1A104K	B	89.7/34.6
C171	4030016790	S.CER ECJ0EB1C103K	B	89.1/22.5
C172	4030016930	S.CER ECJ0EB1A104K	B	89.6/21
C173	4030017460	S.CER ECJ0EB1E102K	T	16.6/37.2
C174	4030016930	S.CER ECJ0EB1A104K	B	60.5/44.1
C175	4030016930	S.CER ECJ0EB1A104K	T	25.1/44.6
C176	4030016930	S.CER ECJ0EB1A104K	T	16.1/39.8
C177	4030017460	S.CER ECJ0EB1E102K	T	26.1/42.6
C178	4030017460	S.CER ECJ0EB1E102K	T	29.4/42.6
C179	4030017460	S.CER ECJ0EB1E102K	B	99.9/27
C180	4030017460	S.CER ECJ0EB1E102K	T	5.5/27.7
C181	4030017460	S.CER ECJ0EB1E102K	B	99.9/28
C182	4030017460	S.CER ECJ0EB1E102K	T	20.8/42.6
C183	4030017780	S.CER ECJ0EB1E472K	T	105/8.8
C184	4030017490	S.CER C1608 JB 1A 105K-T	B	108.3/39.8
C185	4030017460	S.CER ECJ0EB1E102K	T	30/9.8
C186	4030017460	S.CER ECJ0EB1E102K	B	39.8/43.9
C187	4030017460	S.CER ECJ0EB1E102K	B	40.6/39.6
C188	4030017460	S.CER ECJ0EB1E102K	B	109.8/31.3
C189	4030017460	S.CER ECJ0EB1E102K	B	75.2/0.69
C190	4030016930	S.CER ECJ0EB1A104K	B	80.7/10
C191	4030016930	S.CER ECJ0EB1A104K	B	16.5/8.2
C192	4030016930	S.CER ECJ0EB1A104K	B	89.7/30.6
C193	4030016930	S.CER ECJ0EB1A104K	B	90.6/6.5
C194	4030017490	S.CER C1608 JB 1A 105K-T	B	14.4/6.2
C196	4030016930	S.CER ECJ0EB1A104K	T	101.3/7.7
J3	6450002250	CON HSJ1456-010320		
J5	6510022150	S.CON AXN340C130P	B	93.7/27.5
J6	6450002131	CON 04-730A3-02BKA		
J8	6510021901	S.CON BM02B-ASRS-TF(LF)(SN)	T	26.4/2.7
J9	6510024221	S.CON 23FLZ-RSM2-TB(LF)(SN)	B	113.8/36.8
DS1	5040002930	S.LED SML-512MW T86	T	81.3/38.4
DS2	5040002930	S.LED SML-512MW T86	T	45.6/25.9
DS3	5040002930	S.LED SML-512MW T86	T	45.6/38.4
DS4	5040002930	S.LED SML-512MW T86	T	81.3/25.9
DS5	5040002930	S.LED SML-512MW T86	T	63.2/25.9
DS6	5040002930	S.LED SML-512MW T86	T	63.2/38.4
DS7	5040002930	S.LED SML-512MW T86	T	81.3/13.4
DS8	5040002930	S.LED SML-512MW T86	T	63.2/13.4
DS9	5040002930	S.LED SML-512MW T86	T	45.6/13.4

[LOGIC UNIT]

REF NO.	PARTS NO.	DESCRIPTION	M.	H/V LOCATION
DS11	5040002990	S.LED SML-512UWT86	T	32.8/6.6
DS12	5030002691	LCD M3-0243TIY-1		
S24	2250000200	ENC TP90N00E20-16F-1517		
S25	2250000200	ENC TP90N00E20-16F-1517		
EP1	6910012350	S.BEA MMZ1608Y 102BT	T	125.4/28.5
EP2	6910012350	S.BEA MMZ1608Y 102BT	T	125.4/23.5
EP3	6910012350	S.BEA MMZ1608Y 102BT	T	125.4/11.4
EP4	6910012350	S.BEA MMZ1608Y 102BT	T	125.4/6.4
EP6	6910014680	S.BEA MMZ1608Y 121BT	B	112.4/2.8
EP7	6910013310	S.BEA MMZ1608D121B	T	114.5/12.5
EP8	6910014680	S.BEA MMZ1608Y 121BT	B	112.3/11.2
EP9	6910014690	S.BEA MPZ1608S221A-T	T	102.6/8.8
EP10	6910014690	S.BEA MPZ1608S221A-T	T	105.5/6.9
EP12	6910018350	E.O SD1081 RX2699		
EP13	6910016220	S.BEA MZA2010D121C	B	47.3/10.7

M.=Mounted side (T: Mounted on the Top side, B: Mounted on the Bottom side)
S.=Surface mount

[REC UNIT]

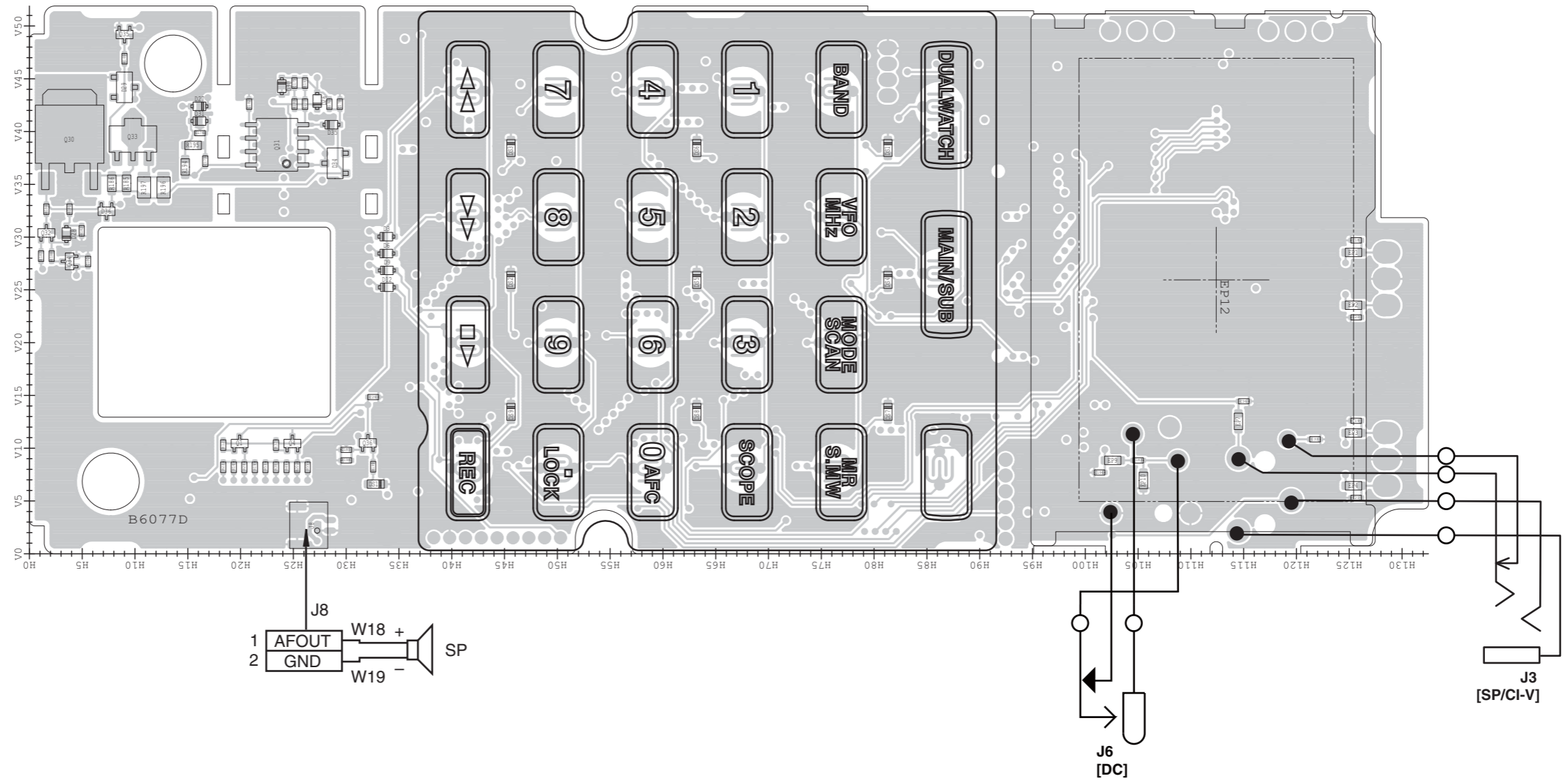
REF NO.	PARTS NO.	DESCRIPTION	M.	H/V LOCATION
IC1	1130011980	S.IC BD5228G-TR	T	12.2/15.2
IC2	1140012090	S.IC M30622M6P-131GP (RX-2699A ALL)	B	14.9/26.2
IC3	1130011681	S.IC FT245BL	T	27.4/16.7
IC4	1130012250	S.IC SN74AHC1G02DCKR	B	9.3/37.3
IC5	1130012260	S.IC SN74AHC1G32DCKR	B	7.5/35.5
IC6	1130011971	S.IC K9F5608U0D-PCB0 <TOMO>	B	24.2/12.2
IC7	1190001951	S.IC ML2302TB203A	T	19.7/28.2
IC8	1130011801	S.IC SN74AHC1G66HDBV3	T	24.5/38.3
IC9	1130011801	S.IC SN74AHC1G66HDBV3	T	24.5/41.8
IC10	1180002371	S.REG R1111N321B-TR-F	T	17.8/15.3
Q1	1590003301	S.TRA UNR921NG0L	B	38.3/9.5
Q2	1590003511	S.TRA UNR9119G0L	B	35.9/9.7
X1	6050010940	S.XTA CR-672 SMD-49 6.000 MHz <KDS>	T	7.4/13.9
X2	6050011240	S.XTA CR-708 DSX631S 16.384 MHz	T	7.5/24.9
R1	7030005050	S.RES ERJ2GEJ 103 X (10K)	T	11.2/19.5
R6	7030009530	S.RES ERJ2GEJ 270 X (27)	T	35.4/12
R7	7030009530	S.RES ERJ2GEJ 270 X (27)	T	35.9/13.5
R8	7030005240	S.RES ERJ2GEJ 473 X (47K)	T	4.3/30
R9	7030005050	S.RES ERJ2GEJ 103 X (10K)	T	12.7/18.7
R10	7030005240	S.RES ERJ2GEJ 473 X (47K)	B	6.5/19.5
R11	7030005000	S.RES ERJ2GEJ 471 X (470)	T	22/11.8
R12	7030007280	S.RES ERJ2GEJ 331 X (330)	B	9.3/15.8
R13	7030005030	S.RES ERJ2GEJ 152 X (1.5K)	T	34.6/13.4
R15	7030005240	S.RES ERJ2GEJ 473 X (47K)	T	4.3/32
R16	7030005170	S.RES ERJ2GEJ 474 X (470K)	T	28.3/33.6
R17	7030005100	S.RES ERJ2GEJ 154 X (150K)	T	27.9/35.4
R18	7030005230	S.RES ERJ2GEJ 334 X (330K)	T	46.1/46.6
R19	7030005240	S.RES ERJ2GEJ 473 X (47K)	T	4.3/31
R20	7030004980	S.RES ERJ2GEJ 101 X (100)	B	39.3/7.5
R21	7030005090	S.RES ERJ2GEJ 104 X (100K)	T	8/31.4
R22	7030005090	S.RES ERJ2GEJ 104 X (100K)	T	9.5/30.9
C1	4030016790	S.CER ECJ0EB1C103K	T	32/10.5
C2	4550006050	S.TAN TEESVA 0J 106M8R	T	15/14.8
C3	4030016790	S.CER ECJ0EB1C103K	T	11.7/17.7
C4	4030016790	S.CER ECJ0EB1C103K	T	17.3/17.7
C5	4030016790	S.CER ECJ0EB1C103K	T	12.7/12.9
C6	4030017660	S.CER ECJ0EC1H330J	B	7.9/16.6
C7	4030017660	S.CER ECJ0EC1H330J	B	7.9/18
C8	4030017330	S.CER ECJ0EF1C104Z	T	23.4/10.3
C9	4030017040	S.CER ECJ0EB1A333K	T	35.9/15.7
C10	4030017330	S.CER ECJ0EF1C104Z	B	10.7/15.1
C11	4030016790	S.CER ECJ0EB1C103K	B	21.9/34.6
C12	4030016790	S.CER ECJ0EB1C103K	B	6.4/18
C13	4030016790	S.CER ECJ0EB1C103K	B	6/34.4
C14	4030016790	S.CER ECJ0EB1C103K	B	13.9/4.1
C15	4030016790	S.CER ECJ0EB1C103K	B	33.2/21.6
C16	4030016790	S.CER ECJ0EB1C103K	T	28.9/31.4
C17	4030017390	S.CER ECJ0EC1H180J	T	27.5/32.8
C18	4030016790	S.CER ECJ0EB1C103K	T	21.6/40.8
C19	4030016790	S.CER ECJ0EB1C103K	T	26/34.9
C20	4030017400	S.CER ECJ0EC1H220J	T	10.3/22.7
C21	4030017400	S.CER ECJ0EC1H220J	T	10.3/24.7
C22	4030016790	S.CER ECJ0EB1C103K	T	19.7/38.7
C23	4030017490	S.CER C1608 JB 1A 105K-T	T	14.4/35.5
C24	4030017490	S.CER C1608 JB 1A 105K-T	T	16.4/37.5
C25	4030016790	S.CER ECJ0EB1C103K	T	27.4/38.3
C26	4030016790	S.CER ECJ0EB1C103K	T	27.4/41.8
C27	4550007460	S.TAN F930G107MBABMA	B	35.3/5.6
C28	4030016790	S.CER ECJ0EB1C103K	B	39.9/9.8
J2	6510024171	S.CON CSS5005-0401FSZ	T	35.6/3.9
J6	6910006591	CON IMSA-9230B-1-04Z030-PT1		
J7	6910006521	CON IMSA-9230B-1-06Z030-PT1		
S1	2230001070	S.SWI JPM1990-2711R	T	69.5/48.6
S2	2230001070	S.SWI JPM1990-2711R	T	52.6/48.6
S3	2230001070	S.SWI JPM1990-2711R	T	39.6/48.6
EP1	6910012350	S.BEA MMZ1608Y 102BT	T	34/11.2
EP3	6910012350	S.BEA MMZ1608Y 102BT	T	38.6/10.8
EP4	6910012350	S.BEA MMZ1608Y 102BT	T	40.3/10.4

M.=Mounted side (T: Mounted on the Top side, B: Mounted on the Bottom side)
S.=Surface mount

BOARD LAYOUTS

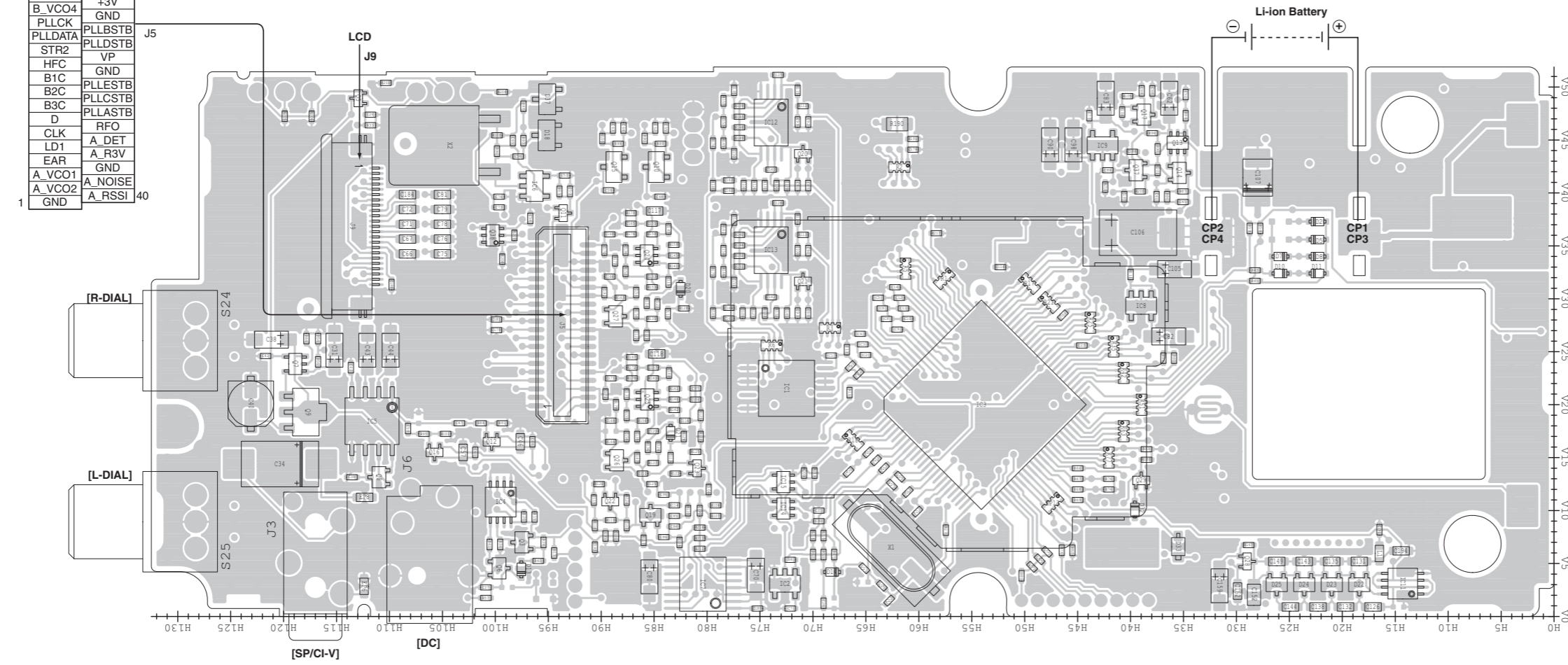
The combination of top side and bottom side of this page shows the actual configuration of P.C. board.

• LOGIC UNIT (TOP VIEW)



to RF UNIT J1			
20	LD2	B_DET	21
	+3S	B_R3V	
	GND	GND	
	B_VCO2	B_NOISE	
	B_VCO3	B_RSSI	
	B_VCO4	+3V	
		GND	
	PLLCK	PLLBSTB	
	PLLDATA	PLLDSTB	
	STR2	VP	
	HFC	GND	
	B1C	PLLESTB	
	B2C	PLLCSTB	
	B3C	PLLASTB	
	D	RFO	
	CLK	A_DET	
	LD1	A_R3V	
	EAR	GND	
	A_VCO1	A_NOISE	40
	A_VCO2	A_RSSI	
1	GND		

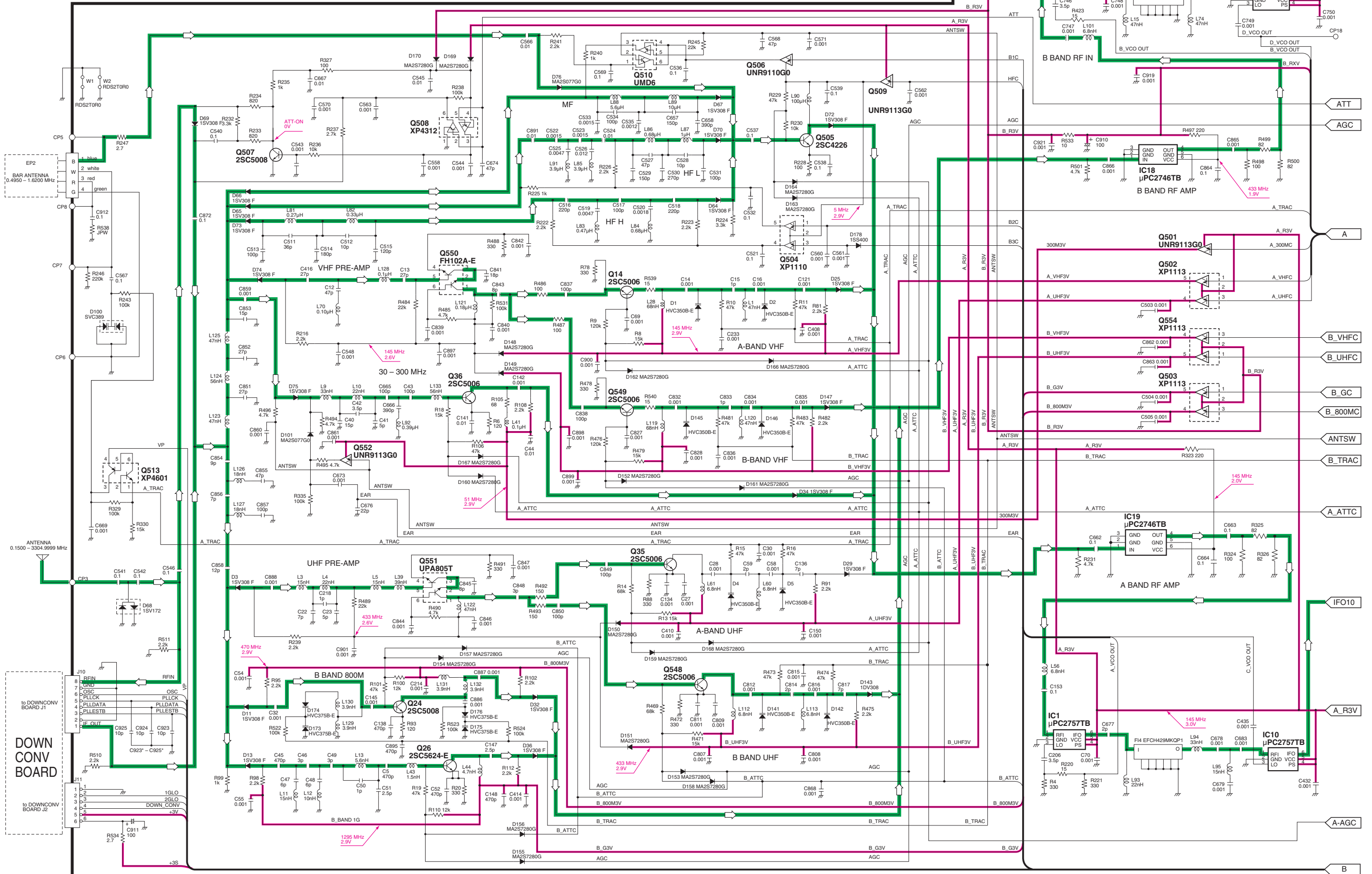
• LOGIC UNIT
(BOTTOM VIEW)



VOLTAGE DIAGRAM

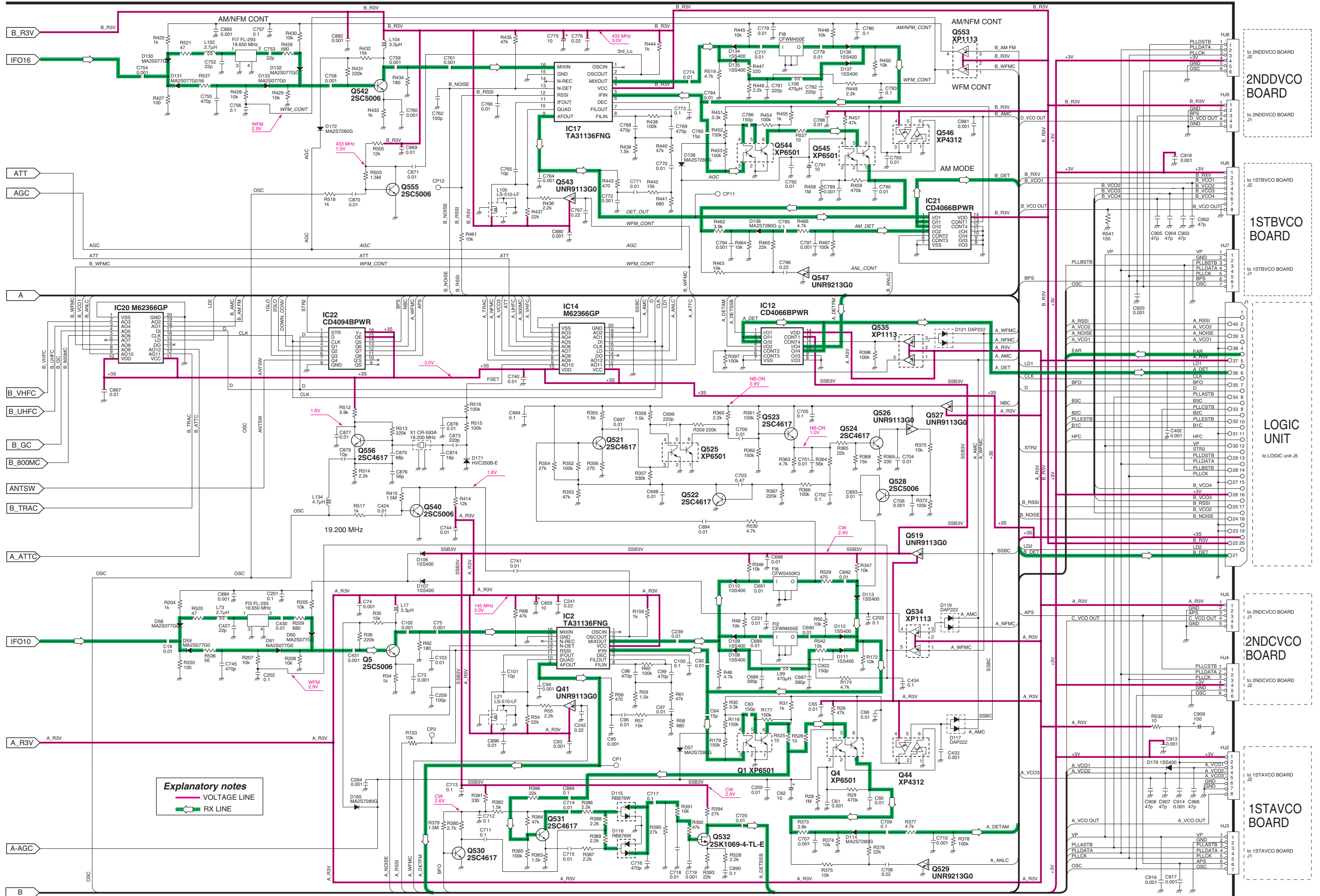
Explanatory notes
 — VOLTAGE LINE
 — RX LINE

RF UNIT (1/2)

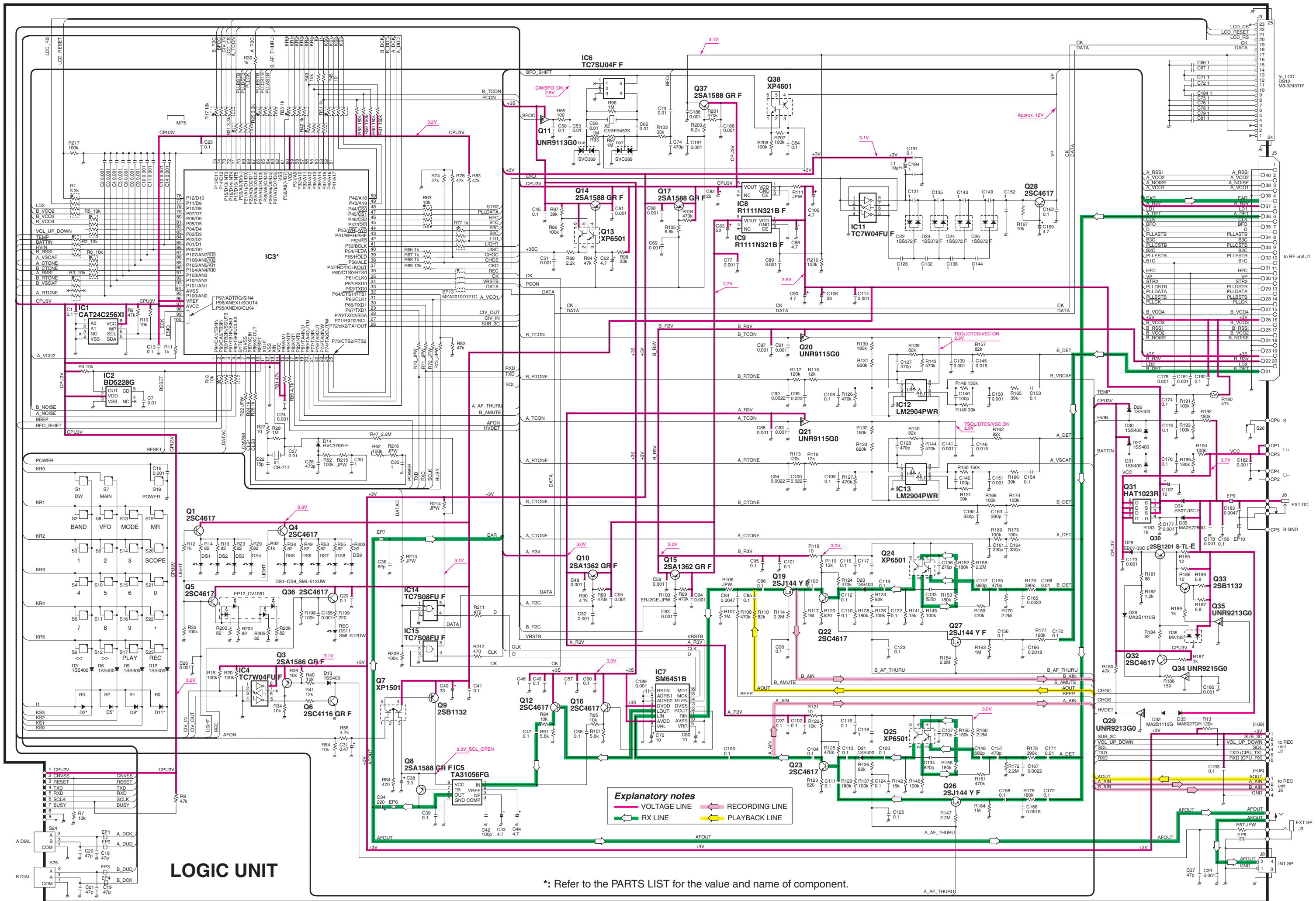


*: Refer to the PARTS LIST for the value and name of component.

RF UNIT (2/2)



*: Refer to the PARTS LIST for the value and name of component.



LOGIC UNIT

Explanatory notes

- VOLTAGE LINE
- RX LINE
- RECORDING LINE
- PLAYBACK LINE

*: Refer to the PARTS LIST for the value and name of component.

IC-R20

CONTENTS

PARTS LIST	1
BOARD LAYOUTS	14
VOLTAGE DIAGRAM	22

[VERSION LIST]

Model	Version	Battery pack	AC adapter
IC-R20	[EUR]	BP-206	BC-149D
	[UK]		—
	[USA]		BC-153SA
	[FRA]		BC-149D
	[SEA]	—	—
	[EXP-01]	BP-206	BC-149A
	[EXP-02]		BC-149D
	[CAN]		BC-153SA
	[CHN]		BC-153SC

[RF UNIT]

Table with columns: REF NO., PARTS NO., DESCRIPTION, M., H/V LOCATION. Contains a list of components like ECJ0EB1E271K, ECJ0EC1H101J, ECJ0EB1A104K, etc.

[RF UNIT]

Table with columns: REF NO., PARTS NO., DESCRIPTION, M., H/V LOCATION. Contains a list of components like ECJ0EB1C103K, ECJ0EB1E102K, ECJ0EB1A104K, etc.

M.=Mounted side (T: Mounted on the Top side, B: Mounted on the Bottom side) S.=Surface mount

[RF UNIT]

REF NO.	PARTS NO.	DESCRIPTION	M.	H/V LOCATION
C902	4030017420	S.CER ECJ0EC1H470J	T	53.6/42.8
C903	4030017420	S.CER ECJ0EC1H470J	T	53.6/41.3
C904	4030017420	S.CER ECJ0EC1H470J	T	53.6/39.8
C905	4030017420	S.CER ECJ0EC1H470J	T	53.5/38.3
C906	4030017420	S.CER ECJ0EC1H470J	T	51.8/22.3
C907	4030017420	S.CER ECJ0EC1H470J	T	53.6/14.4
C908	4030017420	S.CER ECJ0EC1H470J	T	53.6/12.9
C909	4550007460	S.TAN F930G107MBABMA	B	47.5/7.9
C910	4550007460	S.TAN F930G107MBABMA	B	66.3/48.2
C911	4550007460	S.TAN F930G107MBABMA	B	45.6/31.3
C912	4030016930	S.CER ECJ0EB1A104K	B	45.9/1.9
C913	4030017460	S.CER ECJ0EB1E102K	T	49.5/19.1
C914	4030017460	S.CER ECJ0EB1E102K	T	50/17
C916	4030017460	S.CER ECJ0EB1E102K	T	31.1/18.1
C917	4030017460	S.CER ECJ0EB1E102K	T	28/8.9
C918	4030017460	S.CER ECJ0EB1E102K	B	58.1/43.2
C919	4030017460	S.CER ECJ0EB1E102K	B	57.1/45
C920	4030017460	S.CER ECJ0EB1E102K	T	31.4/36.7
C921	4030017460	S.CER ECJ0EB1E102K	B	61.2/46.9
C922	4030017700	S.CER ECJ0EC1H151J	T	5.8/27
J1	6510022160	S.CON AXN440C040P	T	40.3/27.5
W1	7030012290	JUM RDS2T0R0		
W2	7030012290	JUM RDS2T0R0		
EP2	3310003010	ANT KY-058-006-2 <KAI>		

[1STAVCO BOARD]

REF NO.	PARTS NO.	DESCRIPTION	M.	H/V LOCATION
IC2	1110005180	S.IC UPC2746TB-E3	B	20.3/10.9
IC3	1130011660	S.IC MB15T61ULPVA-G-ER	B	10.3/13.1
Q1	1530003260	S.TRA 2SC5006-T1	T	16.2/4.3
Q2	1530003260	S.TRA 2SC5006-T1	T	12.4/9.2
Q3	1530003260	S.TRA 2SC5006-T1	T	12.9/15
Q6	1560000531	S.FET 2SK880-GR(TE85R,F)	B	11.6/5.4
Q7	1530003001	S.TRA 2SC4117-BL(TE85R,F)	B	8.6/3.2
Q8	1530003582	S.TRA 2SC5231A-8-TL-E	B	15.5/8.8
Q9	1530003582	S.TRA 2SC5231A-8-TL-E	B	22.1/16.2
Q11	1590001810	S.TRA XP1113(TX)	B	20.7/6.7
Q12	1590001810	S.TRA XP1113(TX)	B	20.7/4.1
Q13	1530003592	S.TRA 2SC5277A-2-TL-E	B	3.9/13.1
D1	1720000401	S.VAR 1SV245(TPH3,F)	T	5.5/2.2
D2	1720000401	S.VAR 1SV245(TPH3,F)	T	6.9/5.1
D3	1750001051	S.VAR HVC417CTRU-E	T	4.6/8.1
D4	1750001051	S.VAR HVC417CTRU-E	T	4.4/13.1
D7	1790001621	S.DIO 1SV308(TPL3,F)	T	21.2/8.4
D8	1790001621	S.DIO 1SV308(TPL3,F)	T	20.3/10.6
D9	1790001621	S.DIO 1SV308(TPL3,F)	T	21.2/12.7
L1	6200009351	S.COI ELJRE R22GFA	T	4.7/4.3
L2	6200009351	S.COI ELJRE R22GFA	T	8.3/3.1
L3	6200010030	S.COI C2012C-15NG-A	T	10.6/4
L4	6200003960	S.COI MLF1608A 1R0K-T	T	12.4/4.4
L5	6200009351	S.COI ELJRE R22GFA	T	4.1/10.7
L6	6200009980	S.COI C2012C-18NG-A	T	7.4/9.3
L7	6200003960	S.COI MLF1608A 1R0K-T	T	15.7/10.6
L8	6200009351	S.COI ELJRE R22GFA	T	4.1/16.4
L9	6200009280	S.COI LQW18AN27NG00D (LQW1608A27NG00)	T	7.3/14.4
L10	6200003960	S.COI MLF1608A 1R0K-T	T	16.2/16.2
R1	7030004970	S.RES ERJ2GEJ 470 X (47)	T	13.6/4.2
R2	7030004990	S.RES ERJ2GEJ 221 X (220)	T	17.4/1.8
R3	7030005040	S.RES ERJ2GEJ 472 X (4.7K)	T	14.6/4.2
R4	7030005210	S.RES ERJ2GEJ 822 X (8.2K)	T	15.2/2.2
R5	7030004990	S.RES ERJ2GEJ 221 X (220)	T	20.1/4.9
R6	7030004970	S.RES ERJ2GEJ 470 X (47)	T	17.6/9.8
R7	7030004990	S.RES ERJ2GEJ 221 X (220)	T	15/8.1
R8	7030005040	S.RES ERJ2GEJ 472 X (4.7K)	T	12.4/7.6
R9	7030005210	S.RES ERJ2GEJ 822 X (8.2K)	T	9.7/8
R10	7030004990	S.RES ERJ2GEJ 221 X (220)	T	17.5/8.4
R11	7030004970	S.RES ERJ2GEJ 470 X (47)	T	18.3/16
R12	7030004990	S.RES ERJ2GEJ 221 X (220)	T	15.5/13.6
R13	7030005040	S.RES ERJ2GEJ 472 X (4.7K)	T	12.9/13.2
R14	7030005210	S.RES ERJ2GEJ 822 X (8.2K)	T	10.3/13.5
R15	7030007280	S.RES ERJ2GEJ 331 X (330)	T	18.2/14.6
R23	7030005120	S.RES ERJ2GEJ 102 X (1K)	B	13.7/13.7
R24	7030007300	S.RES ERJ2GEJ 332 X (3.3K)	B	11.2/8.3
R25	7030004990	S.RES ERJ2GEJ 221 X (220)	B	13.3/4.5
R26	7030006020	S.RES RR0510P-682-D (6.8K)	B	9.4/5.7
R27	7030006030	S.RES RR0510P-822-D (8.2K)	B	10.5/3.2
R28	7030007340	S.RES ERJ2GEJ 153 X (15K)	B	3.7/5
R29	7030005090	S.RES ERJ2GEJ 104 X (100K)	B	12.8/8.3
R30	7030004990	S.RES ERJ2GEJ 221 X (220)	B	15.2/7.2
R31	7030005080	S.RES ERJ2GEJ 823 X (82K)	B	18.1/11.4
R32	7030007270	S.RES ERJ2GEJ 151 X (150)	B	13.9/7.4
R33	7030007260	S.RES ERJ2GEJ 330 X (33)	B	16.9/13.3
R34	7030004990	S.RES ERJ2GEJ 221 X (220)	B	19/8.3
R35	7030009140	S.RES ERJ2GEJ 272 X (2.7K)	B	3.7/6.9
R36	7030005040	S.RES ERJ2GEJ 472 X (4.7K)	T	20.6/2.6
R37	7030005040	S.RES ERJ2GEJ 472 X (4.7K)	T	18.6/10
R38	7030005040	S.RES ERJ2GEJ 472 X (4.7K)	T	19.5/16.1
R40	7030005040	S.RES ERJ2GEJ 472 X (4.7K)	B	21.7/8.8
R41	7030005300	S.RES ERJ2GEJ 150 X (15)	B	17.9/13.3
R42	7030004970	S.RES ERJ2GEJ 470 X (47)	B	17.4/14.6
R43	7030005080	S.RES ERJ2GEJ 823 X (82K)	B	20.5/15.1
R44	7030004990	S.RES ERJ2GEJ 221 X (220)	B	22.2/14.6
R45	7030005120	S.RES ERJ2GEJ 102 X (1K)	B	20.7/13.8
R46	7030005120	S.RES ERJ2GEJ 102 X (1K)	B	1/15.5
R47	7030005120	S.RES ERJ2GEJ 102 X (1K)	B	5.1/15
R48	7030005120	S.RES ERJ2GEJ 102 X (1K)	B	6.4/15.3
R49	7030008300	S.RES ERJ2GEJ 184 X (180K)	B	3.6/16.2
R50	7030005090	S.RES ERJ2GEJ 104 X (100K)	B	3.2/11.1
R51	7030005090	S.RES ERJ2GEJ 104 X (100K)	B	3.7/9.4
R52	7030005090	S.RES ERJ2GEJ 104 X (100K)	B	5.2/9.8
R53	7030005570	S.RES ERJ2GEJ 820 X (82)	B	13.6/15
R54	7030004970	S.RES ERJ2GEJ 470 X (47)	T	4.1/15.2
R55	7030005120	S.RES ERJ2GEJ 102 X (1K) [EUR]	B	6/13.5
	7030005120	S.RES ERJ2GEJ 102 X (1K) [UK]		
	7030005120	S.RES ERJ2GEJ 102 X (1K) [USA]		
	7030005120	S.RES ERJ2GEJ 102 X (1K) [FRA]		
	7030010040	S.RES ERJ2GEJ-JPW [SEA]		
	7030010040	S.RES ERJ2GEJ-JPW [EXP-01]		
	7030010040	S.RES ERJ2GEJ-JPW [EXP-02]		
	7030005120	S.RES ERJ2GEJ 102 X (1K) [CAN]		
	7030010040	S.RES ERJ2GEJ-JPW [CHN]		
R56	7030005120	S.RES ERJ2GEJ 102 X (1K) [EUR]	B	6.3/12.6
	7030005120	S.RES ERJ2GEJ 102 X (1K) [UK]		
	7030005120	S.RES ERJ2GEJ 102 X (1K) [USA]		
	7030005120	S.RES ERJ2GEJ 102 X (1K) [FRA]		
	7030010040	S.RES ERJ2GEJ-JPW [SEA]		
	7030010040	S.RES ERJ2GEJ-JPW [EXP-01]		
	7030010040	S.RES ERJ2GEJ-JPW [EXP-02]		
	7030005120	S.RES ERJ2GEJ 102 X (1K) [CAN]		
	7030010040	S.RES ERJ2GEJ-JPW [CHN]		

M.=Mounted side (T: Mounted on the Top side, B: Mounted on the Bottom side)
S.=Surface mount

[1STBVC0 BOARD]

REF NO.	PARTS NO.	DESCRIPTION	M.	H/V LOCATION
R47	7030005120	S.RES ERJ2GEJ 102 X (1K)	B	6.4/16.7
R48	7030005120	S.RES ERJ2GEJ 102 X (1K)	B	5.8/15.1
R49	7030008300	S.RES ERJ2GEJ 184 X (180K)	B	5.1/16.7
R50	7030005090	S.RES ERJ2GEJ 104 X (100K)	B	3.3/13.3
R51	7030005090	S.RES ERJ2GEJ 104 X (100K)	B	4.3/13.4
R52	7030005090	S.RES ERJ2GEJ 104 X (100K)	B	4.3/11
R53	7030005570	S.RES ERJ2GEJ 820 X (82)	B	12.2/16.3
R54	7030004970	S.RES ERJ2GEJ 470 X (47)	T	3.3/12.1
R55	7030005120	S.RES ERJ2GEJ 102 X (1K) [EUR]	B	5.9/13.8
	7030005120	S.RES ERJ2GEJ 102 X (1K) [UK]		
	7030005120	S.RES ERJ2GEJ 102 X (1K) [USA]		
	7030005120	S.RES ERJ2GEJ 102 X (1K) [FRA]		
	7030010040	S.RES ERJ2GEJ-JPW [SEA]		
	7030010040	S.RES ERJ2GEJ-JPW [EXP-01]		
	7030010040	S.RES ERJ2GEJ-JPW [EXP-02]		
	7030005120	S.RES ERJ2GEJ 102 X (1K) [CAN]		
	7030010040	S.RES ERJ2GEJ-JPW [CHN]		
R56	7030005120	S.RES ERJ2GEJ 102 X (1K) [EUR]	B	5.9/12.8
	7030005120	S.RES ERJ2GEJ 102 X (1K) [UK]		
	7030005120	S.RES ERJ2GEJ 102 X (1K) [USA]		
	7030005120	S.RES ERJ2GEJ 102 X (1K) [FRA]		
	7030010040	S.RES ERJ2GEJ-JPW [SEA]		
	7030010040	S.RES ERJ2GEJ-JPW [EXP-01]		
	7030010040	S.RES ERJ2GEJ-JPW [EXP-02]		
	7030005120	S.RES ERJ2GEJ 102 X (1K) [CAN]		
	7030010040	S.RES ERJ2GEJ-JPW [CHN]		
R57	7030005120	S.RES ERJ2GEJ 102 X (1K) [EUR]	B	5.9/11.8
	7030005120	S.RES ERJ2GEJ 102 X (1K) [UK]		
	7030005120	S.RES ERJ2GEJ 102 X (1K) [USA]		
	7030005120	S.RES ERJ2GEJ 102 X (1K) [FRA]		
	7030010040	S.RES ERJ2GEJ-JPW [SEA]		
	7030010040	S.RES ERJ2GEJ-JPW [EXP-01]		
	7030010040	S.RES ERJ2GEJ-JPW [EXP-02]		
	7030005120	S.RES ERJ2GEJ 102 X (1K) [CAN]		
	7030010040	S.RES ERJ2GEJ-JPW [CHN]		
C1	4030017460	S.CER ECJ0EB1E102K	T	3.1/2.2
C2	4030017460	S.CER ECJ0EB1E102K	T	9.1/4.1
C3	4030017350	S.CER ECJ0EC1H020B	T	18/4.2
C4	4030017350	S.CER ECJ0EC1H020B	T	19/2.2
C5	4030017460	S.CER ECJ0EB1E102K	T	16.7/2.2
C6	4030016930	S.CER ECJ0EB1A104K	T	14.1/2.5
C7	4030017530	S.CER ECJ0EC1H0R5B	T	19.3/3.2
C8	4030016930	S.CER ECJ0EB1A104K	T	19/4.5
C9	4030017460	S.CER ECJ0EB1E102K	T	4.2/8
C10	4030017460	S.CER ECJ0EB1E102K	T	6.3/8.6
C11	4030017350	S.CER ECJ0EC1H020B	T	15.4/6.5
C12	4030017460	S.CER ECJ0EB1E102K	T	11.1/6.7
C13	4030016930	S.CER ECJ0EB1A104K	T	10.4/8.4
C14	4030017530	S.CER ECJ0EC1H0R5B	T	16.1/8.1
C15	4030016930	S.CER ECJ0EB1A104K	T	16.4/6.8
C16	4030017570	S.CER ECJ0EC1H040B	T	14.8/8.4
C17	4030017460	S.CER ECJ0EB1E102K	T	3.3/10.2
C18	4030017460	S.CER ECJ0EB1E102K	T	5.7/12.1
C19	4030017600	S.CER ECJ0EC1H080C	T	15.5/12.7
C20	4030017570	S.CER ECJ0EC1H040B	T	15.3/10.9
C21	4030017460	S.CER ECJ0EB1E102K	T	11.5/11.7
C22	4030016930	S.CER ECJ0EB1A104K	T	10/11.8
C23	4030017530	S.CER ECJ0EC1H0R5B	T	17/12.1
C24	4030016930	S.CER ECJ0EB1A104K	T	17.4/10.8
C25	4030017460	S.CER ECJ0EB1E102K	T	3.1/15.6
C26	4030017460	S.CER ECJ0EB1E102K	T	4.4/15.5
C27	4030017540	S.CER ECJ0EC1HR75B	T	9.2/17.9
C28	4030017540	S.CER ECJ0EC1HR75B	T	7.9/17
C29	4030017460	S.CER ECJ0EB1E102K	T	10.8/16.6
C30	4030017460	S.CER ECJ0EB1E102K	T	15.8/14.8
C31	4030017460	S.CER ECJ0EB1E102K	B	1.7/16.9
C35	4030017770	S.CER ECJ0EB1E332K	B	10.2/7.4
C37	4550003220	S.TAN TEESVA 1E 105M8R	B	12.9/2.4
C38	4550000930	S.TAN TEESVA 1D 684M8R	B	5.6/6
C39	4550000930	S.TAN TEESVA 1D 684M8R	B	8.1/6.8
C40	4030016790	S.CER ECJ0EB1C103K	B	3.6/5.9
C41	4030017460	S.CER ECJ0EB1E102K	B	13.2/8.6
C42	4030017460	S.CER ECJ0EB1E102K	B	15.5/8
C43	4030017350	S.CER ECJ0EC1H020B	B	16.2/12.3
C44	4030017460	S.CER ECJ0EB1E102K	B	18.3/11.6
C45	4030017530	S.CER ECJ0EC1H0R5B	T	17.2/17.3
C46	4030017460	S.CER ECJ0EB1E102K	B	19.9/10.1
C47	4030017460	S.CER ECJ0EB1E102K	B	18.4/13.5
C48	4340000290	S.MYL ECHU 1C 103JX5	B	4.9/2.5
C49	4030017620	S.CER ECJ0EC1H100C	B	21.4/10.6
C50	4030017380	S.CER ECJ0EC1H050B	B	16.3/16.8
C52	4030017460	S.CER ECJ0EB1E102K	B	23.8/15.4
C53	4030017460	S.CER ECJ0EB1E102K	B	19.9/15.5
C54	4030017460	S.CER ECJ0EB1E102K	T	20.3/4.7
C55	4030017460	S.CER ECJ0EB1E102K	T	19.4/7.1
C56	4030017460	S.CER ECJ0EB1E102K	T	19.5/10.2
C57	4030017460	S.CER ECJ0EB1E102K	T	17.4/16.2
C58	4030016930	S.CER ECJ0EB1A104K	B	20.6/1.6
C59	4030016790	S.CER ECJ0EB1C103K	B	3.6/17.2
C60	4030016790	S.CER ECJ0EB1C103K	B	6.9/15.3
C61	4030016930	S.CER ECJ0EB1A104K	B	13/10.6
C62	4030016930	S.CER ECJ0EB1A104K	B	5/9.5
C63	4030017460	S.CER ECJ0EB1E102K	B	7.7/10.1
C64	4550007600	S.TAN F920J106MPABMA	B	13.9/15
C65	4550007600	S.TAN F920J106MPABMA	B	18.7/2.4
C66	4550007600	S.TAN F920J106MPABMA	B	16.9/2.4
C67	4550007600	S.TAN F920J106MPABMA	B	16.3/4.7
C68	4030017460	S.CER ECJ0EB1E102K [EUR]	B	11.8/9.7
	4030017460	S.CER ECJ0EB1E102K [UK]		
	4030017460	S.CER ECJ0EB1E102K [USA]		
	4030017460	S.CER ECJ0EB1E102K [FRA]		
	4030017460	S.CER ECJ0EB1E102K [CAN]		

[1STBVC0 BOARD]

REF NO.	PARTS NO.	DESCRIPTION	M.	H/V LOCATION
J1	6910015521	CON IMSA-9230B-1-07Z064-PT1		
J2	6910015511	CON IMSA-9230B-1-08Z064-PT1		

M.=Mounted side (T: Mounted on the Top side, B: Mounted on the Bottom side)
S.=Surface mount

[2NDCVCO BOARD]

REF NO.	PARTS NO.	DESCRIPTION		M.	H/V LOCATION
IC1	1130011671	S.IC	MB15E03SLPFV1-G-ER-6E1	B	5.6/11.4
Q1	1530003612	S.TRA	FH102A-TR-E	T	6.1/11.8
Q3	1530003592	S.TRA	2SC5277A-2-TL-E	T	3.5/8.9
Q4	1530003630	S.TRA	2SC4617 TLS	T	2.3/13.6
D1	1750000741	S.VAR	1SV314(TPH3,F)	T	9.3/9.2
L1	6200009070	S.COI	LQW18AN18NG00D (LQW1608A18NG00)	T	7.2/8.1
L2	6200005721	S.COI	ELJRE 33NGFA	T	4/13.4
L3	6200005701	S.COI	ELJRE 22NGFA	T	7.4/14.6
L4	6200009351	S.COI	ELJRE R22GFA	T	5.4/6.3
R1	7030004970	S.RES	ERJ2GEJ 470 X (47)	T	6.6/5.5
R2	7030005050	S.RES	ERJ2GEJ 103 X (10K)	T	5.5/10
R3	7030005120	S.RES	ERJ2GEJ 102 X (1K)	T	9.5/10.3
R4	7030005120	S.RES	ERJ2GEJ 102 X (1K)	T	8.8/13.2
R9	7030005580	S.RES	ERJ2GEJ 560 X (56)	B	5.9/14.7
R10	7030004980	S.RES	ERJ2GEJ 101 X (100)	B	7.3/15.5
R11	7030005120	S.RES	ERJ2GEJ 102 X (1K)	B	8.9/6.4
R12	7030005120	S.RES	ERJ2GEJ 102 X (1K)	B	6.9/6.4
R13	7030005120	S.RES	ERJ2GEJ 102 X (1K)	B	7.9/6.4
R14	7030005530	S.RES	ERJ2GEJ 100 X (10)	B	5.1/7.8
R15	7030009270	S.RES	ERJ2GEJ 821 X (820)	B	5.6/6.5
R16	7030005120	S.RES	ERJ2GEJ 102 X (1K)	T	2.4/5.3
R17	7030008300	S.RES	ERJ2GEJ 184 X (180K)	T	2.4/6.3
R18	7030005120	S.RES	ERJ2GEJ 102 X (1K)	T	1.2/7.8
R19	7030005120	S.RES	ERJ2GEJ 102 X (1K)	T	0.6/9.6
R21	7030005120	S.RES	ERJ2GEJ 102 X (1K)	T	1.1/12.3
R22	7030007280	S.RES	ERJ2GEJ 331 X (330)	B	5.7/5.3
C1	4550006910	S.TAN	TEESVP 1C 334M8R	T	8.7/5.7
C2	4030017390	S.CER	ECJ0EC1H180J	T	9.1/8
C3	4030017640	S.CER	ECJ0EC1H150J	T	5.4/8.7
C4	4030017620	S.CER	ECJ0EC1H100C	T	7.7/10.2
C5	4030017630	S.CER	ECJ0EC1H120J	T	8.6/11.2
C6	4030017460	S.CER	ECJ0EB1E102K	T	8.6/12.2
C7	4030017570	S.CER	ECJ0EC1H040B	T	5.2/13.9
C8	4030017340	S.CER	ECJ0EC1H010B	T	6.2/15
C9	4030017380	S.CER	ECJ0EC1H050B	T	8.9/14.2
C10	4030017380	S.CER	ECJ0EC1H050B	T	8.9/15.2
C16	4030017730	S.CER	ECJ0EB1E471K	B	3.4/5.3
C17	4030017380	S.CER	ECJ0EC1H050B	B	4.1/14.7
C18	4030017420	S.CER	ECJ0EC1H470J	B	8.4/8.1
C19	4030017420	S.CER	ECJ0EC1H470J	B	8.7/14.9
C20	4030017420	S.CER	ECJ0EC1H470J	B	9.9/13.5
C21	4550007630	S.TAN	F920J475MPABMA	B	3/7.2
C22	4030016790	S.CER	ECJ0EB1C103K	T	3.7/5.8
C23	4030016790	S.CER	ECJ0EB1C103K	T	3/7.3
C24	4030016790	S.CER	ECJ0EB1C103K	T	1.9/9.5
C25	4030017460	S.CER	ECJ0EB1E102K	B	1.3/13.8
C26	4030016930	S.CER	ECJ0EB1A104K	B	1.3/10
C27	4030017460	S.CER	ECJ0EB1E102K	B	9.9/10.3
C30	4030017460	S.CER	ECJ0EB1E102K	T	4.7/15.2
C31	4030017460	S.CER	ECJ0EB1E102K	T	2.5/15.2
C32	4550007600	S.TAN	F920J106MPABMA	T	3.1/11.3
C33	4030017350	S.CER	ECJ0EC1H020B	T	9.1/7.1
J1	6910010841	CON	IMSA-9230B-1-05Z057-PT1		
J2	6910014431	CON	IMSA-9230B-1-06Z057-PT1		

[2NDDVCO BOARD]

REF NO.	PARTS NO.	DESCRIPTION		M.	H/V LOCATION
IC1	1130011671	S.IC	MB15E03SLPFV1-G-ER-6E1	B	5.6/11.4
Q1	1530003612	S.TRA	FH102A-TR-E	T	6.1/11.8
Q3	1530003592	S.TRA	2SC5277A-2-TL-E	T	3.5/8.9
Q4	1530003630	S.TRA	2SC4617 TLS	T	2.2/13.6
D1	1750000711	S.VAR	HVC350BTRF-E	T	9.4/9
L1	6200010850	S.COI	LQW18AN22NG00D (LQW1608A22NG00)	T	7.2/8.1
L2	6200005741	S.COI	ELJRE 47NGFA	T	4/13.4
L3	6200005701	S.COI	ELJRE 22NGFA	T	7.4/14.6
L4	6200009351	S.COI	ELJRE R22GFA	T	5.4/6.3
R1	7030004970	S.RES	ERJ2GEJ 470 X (47)	T	6.6/5.5
R2	7030005240	S.RES	ERJ2GEJ 473 X (47K)	T	5.5/10
R3	7030007280	S.RES	ERJ2GEJ 331 X (330)	T	9.5/10.2
R4	7030005120	S.RES	ERJ2GEJ 102 X (1K)	T	8.8/13.2
R9	7030004990	S.RES	ERJ2GEJ 221 X (220)	B	5.9/14.7
R10	7030004980	S.RES	ERJ2GEJ 101 X (100)	B	7.3/15.5
R11	7030005120	S.RES	ERJ2GEJ 102 X (1K)	B	8.9/6.4
R12	7030005120	S.RES	ERJ2GEJ 102 X (1K)	B	6.9/6.5
R13	7030005120	S.RES	ERJ2GEJ 102 X (1K)	B	7.9/6.4
R14	7030005530	S.RES	ERJ2GEJ 100 X (10)	B	5.1/7.8
R15	7030009270	S.RES	ERJ2GEJ 821 X (820)	B	5.6/6.5
R16	7030005120	S.RES	ERJ2GEJ 102 X (1K)	T	2.4/5.3
R17	7030008300	S.RES	ERJ2GEJ 184 X (180K)	T	2.4/6.3
R18	7030005120	S.RES	ERJ2GEJ 102 X (1K)	T	1.2/7.8
R19	7030005120	S.RES	ERJ2GEJ 102 X (1K)	T	0.6/9.6
R21	7030005120	S.RES	ERJ2GEJ 102 X (1K)	T	1.1/11.9
R22	7030007280	S.RES	ERJ2GEJ 331 X (330)	B	5.6/5.3
C1	4550006910	S.TAN	TEESVP 1C 334M8R	T	8.7/5.7
C2	4030017500	S.CER	ECJ0EC1H560J	T	9.1/7.6
C3	4030017400	S.CER	ECJ0EC1H220J	T	5.4/8.7
C4	4030017630	S.CER	ECJ0EC1H120J	T	7.7/10.2
C5	4030017650	S.CER	ECJ0EC1H270J	T	8.6/11.2
C6	4030017460	S.CER	ECJ0EB1E102K	T	8.6/12.2
C7	4030017620	S.CER	ECJ0EC1H100C	T	5.2/13.9
C8	4030017570	S.CER	ECJ0EC1H040B	T	6.2/15
C9	4030017600	S.CER	ECJ0EC1H080C	T	8.9/14.2
C10	4030017600	S.CER	ECJ0EC1H080C	T	8.9/15.2
C16	4030017730	S.CER	ECJ0EB1E471K	B	3.4/5.3
C17	4030017380	S.CER	ECJ0EC1H050B	B	4.1/14.7
C18	4030017420	S.CER	ECJ0EC1H470J	B	8.4/8.1
C19	4030017420	S.CER	ECJ0EC1H470J	B	8.7/14.9
C20	4030017420	S.CER	ECJ0EC1H470J	B	9.9/13.5
C21	4550007630	S.TAN	F920J475MPABMA	B	3/7.2
C22	4030016790	S.CER	ECJ0EB1C103K	T	3.7/5.8
C23	4030016790	S.CER	ECJ0EB1C103K	T	3/7.3
C24	4030016790	S.CER	ECJ0EB1C103K	T	1.9/9.5
C25	4030017460	S.CER	ECJ0EB1E102K	B	1.3/13.8
C26	4030016930	S.CER	ECJ0EB1A104K	B	1.3/10
C27	4030017460	S.CER	ECJ0EB1E102K	B	9.9/10.3
C30	4030017460	S.CER	ECJ0EB1E102K	T	4.7/15.2
C31	4030017460	S.CER	ECJ0EB1E102K	T	2.6/15.2
C32	4550007600	S.TAN	F920J106MPABMA	T	3.1/11.2
J1	6910010841	CON	IMSA-9230B-1-05Z057-PT1		
J2	6910014431	CON	IMSA-9230B-1-06Z057-PT1		

M.=Mounted side (T: Mounted on the Top side, B: Mounted on the Bottom side)
S.=Surface mount

[DOWNCONV BOARD]

REF NO.	PARTS NO.	DESCRIPTION	M.	H/V LOCATION
IC2	1110005120	S.IC UPC2749TB-E3		
IC3	1110005230	S.IC UPC2757TB-E3		
IC4	1130011671	S.IC MB15E03SLPFV1-G-ER-6E1		
Q1	1530003260	S.TRA 2SC5006-T1		
Q2	1530003260	S.TRA 2SC5006-T1		
Q3	1590003381	S.TRA UNR9111G0L		
Q4	1530003781	S.TRA 2SC5624VH-TL-E		
Q5	1590001810	S.TRA XP1113(TX)		
Q6	1530003592	S.TRA 2SC5277A-2-TL-E		
D1	1790001621	S.DIO 1SV308(TPL3,F)		
D2	1790001621	S.DIO 1SV308(TPL3,F)		
D3	1720000401	S.VAR 1SV245(TPH3,F)		
D5	1790001621	S.DIO 1SV308(TPL3,F)		
D6	1790001621	S.DIO 1SV308(TPL3,F)		
D7	1790001621	S.DIO 1SV308(TPL3,F)		
D8	1790001621	S.DIO 1SV308(TPL3,F)		
L1	6200005651	S.COI ELJRE 8N2ZFA		
L2	6200005651	S.COI ELJRE 8N2ZFA		
L3	6200004480	S.COI MLF1608D R82K-T		
L4	6200010020	S.COI C2012C-12NG-A		
L6	6200009351	S.COI ELJRE R22GFA		
L7	6200006771	S.COI ELJRE 1N5ZFA		
L8	6200005641	S.COI ELJRE 6N8ZFA		
L9	6200005611	S.COI ELJRE 3N9ZFA		
L10	6200005581	S.COI ELJRE 2N2ZFA		
L11	6200005641	S.COI ELJRE 6N8ZFA		
R1	7030009160	S.RES ERJ2GEJ 181 X (180)	[EUR]	
	7030009160	S.RES ERJ2GEJ 181 X (180)	[UK]	
	7030004980	S.RES ERJ2GEJ 101 X (100)	[USA]	
	7030009160	S.RES ERJ2GEJ 181 X (180)	[FRA]	
	7030004980	S.RES ERJ2GEJ 101 X (100)	[SEA]	
	7030004980	S.RES ERJ2GEJ 101 X (100)	[EXP-01]	
	7030004980	S.RES ERJ2GEJ 101 X (100)	[EXP-02]	
	7030004980	S.RES ERJ2GEJ 101 X (100)	[CAN]	
	7030004980	S.RES ERJ2GEJ 101 X (100)	[CHN]	
R2	7030005000	S.RES ERJ2GEJ 471 X (470)		
R3	7030005040	S.RES ERJ2GEJ 472 X (4.7K)		
R4	7030005040	S.RES ERJ2GEJ 472 X (4.7K)		
R5	7030005040	S.RES ERJ2GEJ 472 X (4.7K)		
R6	7030005040	S.RES ERJ2GEJ 472 X (4.7K)		
R7	7030005790	S.RES RR0510P-331-D (330)		
R8	7030005820	S.RES RR0510P-103-D (10K)		
R9	7030006010	S.RES RR0510P-472-D (4.7K)		
R10	7030004970	S.RES ERJ2GEJ 470 X (47)		
R11	7030005300	S.RES ERJ2GEJ 150 X (15)		
R12	7030005530	S.RES ERJ2GEJ 100 X (10)		
R13	7030005300	S.RES ERJ2GEJ 150 X (15)		
R14	7030005720	S.RES ERJ2GEJ 563 X (56K)		
R15	7030004990	S.RES ERJ2GEJ 221 X (220)		
R16	7030007270	S.RES ERJ2GEJ 151 X (150)		
R17	7030005120	S.RES ERJ2GEJ 102 X (1K)		
R18	7030007280	S.RES ERJ2GEJ 331 X (330)		
R19	7030009270	S.RES ERJ2GEJ 821 X (820)		
R20	7030005530	S.RES ERJ2GEJ 100 X (10)		
R21	7030005600	S.RES ERJ2GEJ 273 X (27K)		
R22	7030005040	S.RES ERJ2GEJ 472 X (4.7K)		
R23	7030005040	S.RES ERJ2GEJ 472 X (4.7K)		
R25	7030005120	S.RES ERJ2GEJ 102 X (1K)		
R26	7030005120	S.RES ERJ2GEJ 102 X (1K)		
R27	7030005040	S.RES ERJ2GEJ 472 X (4.7K)		
R28	7030005530	S.RES ERJ2GEJ 100 X (10)		
R29	7030005120	S.RES ERJ2GEJ 102 X (1K)		
R30	7030008300	S.RES ERJ2GEJ 184 X (180K)		
R31	7030005120	S.RES ERJ2GEJ 102 X (1K)		
R32	7030005120	S.RES ERJ2GEJ 102 X (1K)		
R33	7030003440	S.RES ERJ3GEYJ 102 V (1K)		
C1	4030017620	S.CER ECJ0EC1H100C		
C2	4030017600	S.CER ECJ0EC1H080C		
C3	4030017580	S.CER ECJ0EC1H060C		
C4	4030017600	S.CER ECJ0EC1H080C		
C5	4030017730	S.CER ECJ0EB1E471K		
C6	4030017730	S.CER ECJ0EB1E471K		
C7	4030017340	S.CER ECJ0EC1H010B		
C8	4030017350	S.CER ECJ0EC1H020B		
C9	4030017350	S.CER ECJ0EC1H020B		
C10	4030017340	S.CER ECJ0EC1H010B		
C11	4030017460	S.CER ECJ0EB1E102K		
C12	4550007600	S.TAN F920J106MPABMA		
C13	4030017400	S.CER ECJ0EC1H220J		
C14	4030016930	S.CER ECJ0EB1A104K		
C15	4030017730	S.CER ECJ0EB1E471K		
C16	4030017730	S.CER ECJ0EB1E471K		
C17	4030017730	S.CER ECJ0EB1E471K		
C18	4030017730	S.CER ECJ0EB1E471K		
C19	4030017730	S.CER ECJ0EB1E471K		
C21	4030017730	S.CER ECJ0EB1E471K		
C22	4550006910	S.TAN TEESVP 1C 334M8R		
C23	4550007070	S.TAN TEESVP 1A 475M8R		
C26	4030016930	S.CER ECJ0EB1A104K		
C27	4030017620	S.CER ECJ0EC1H100C		
C28	4030017340	S.CER ECJ0EC1H010B		
C29	4030017340	S.CER ECJ0EC1H010B		
C30	4030017350	S.CER ECJ0EC1H020B		
C31	4030017630	S.CER ECJ0EC1H120J		
C32	4030017400	S.CER ECJ0EC1H220J		

[DOWNCONV BOARD]

REF NO.	PARTS NO.	DESCRIPTION	M.	H/V LOCATION
C34	4030017730	S.CER ECJ0EB1E471K		
C35	4030017730	S.CER ECJ0EB1E471K		
C36	4030017350	S.CER ECJ0EC1H020B		
C37	4030017730	S.CER ECJ0EB1E471K		
C38	4030017730	S.CER ECJ0EB1E471K		
C39	4030017340	S.CER ECJ0EC1H010B		
C40	4030017570	S.CER ECJ0EC1H040B		
C41	4030017640	S.CER ECJ0EC1H150J		
C42	4030017630	S.CER ECJ0EC1H120J		
C43	4030017730	S.CER ECJ0EB1E471K		
C44	4030017730	S.CER ECJ0EB1E471K		
C45	4030017360	S.CER ECJ0EC1H030B		
C46	4030017360	S.CER ECJ0EC1H030B		
C47	4030016790	S.CER ECJ0EB1C103K		
C48	4030016790	S.CER ECJ0EB1C103K		
C49	4030016790	S.CER ECJ0EB1C103K		
C50	4030017730	S.CER ECJ0EB1E471K		
C51	4030017730	S.CER ECJ0EB1E471K		
C52	4030017730	S.CER ECJ0EB1E471K		
C53	4030016790	S.CER ECJ0EB1C103K		
C54	4030017420	S.CER ECJ0EC1H470J		
C55	4030017420	S.CER ECJ0EC1H470J		
C56	4030017420	S.CER ECJ0EC1H470J		
C58	4030016930	S.CER ECJ0EB1A104K		
J1	6910015511	CON IMSA-9230B-1-08Z064-PT1		
J2	6910015531	CON IMSA-9230B-1-06Z064-PT1		

M.=Mounted side (T: Mounted on the Top side, B: Mounted on the Bottom side)
S.=Surface mount

[LOGIC UNIT]

REF NO.	PARTS NO.	DESCRIPTION	M.	H/V LOCATION
C107	4550007510	S.TAN F931C106MBABMA	B	28/41.4
C108	4030016930	S.CER ECJ0EB1A104K	B	76.5/40.7
C109	4030016930	S.CER ECJ0EB1A104K	B	76.6/28.6
C110	4030016930	S.CER ECJ0EB1A104K	B	86.7/26.5
C111	4030016930	S.CER ECJ0EB1A104K	B	86.1/13.5
C112	4030016930	S.CER ECJ0EB1A104K	B	83.7/28.6
C113	4030016930	S.CER ECJ0EB1A104K	B	83.4/15
C114	4030017460	S.CER ECJ0EB1E102K	B	52.3/33
C115	4030016930	S.CER ECJ0EB1A104K	B	90.7/11
C116	4030016930	S.CER ECJ0EB1A104K	B	82.1/18.5
C117	4030017490	S.CER C1608 JB 1A 105K-T	B	84.9/38.3
C118	4030017490	S.CER C1608 JB 1A 105K-T	B	84.7/24.8
C119	4030016930	S.CER ECJ0EB1A104K	B	83.6/31.6
C120	4030016930	S.CER ECJ0EB1A104K	B	85.1/17.5
C122	4030016930	S.CER ECJ0EB1A104K	B	84.7/29.5
C123	4030016930	S.CER ECJ0EB1A104K	B	85.7/26.5
C124	4030016930	S.CER ECJ0EB1A104K	B	84.6/16
C125	4030016930	S.CER ECJ0EB1A104K	B	85.2/12.5
C126	4030017490	S.CER C1608 JB 1A 105K-T	B	17.1/9
C127	4030017730	S.CER ECJ0EB1E471K	B	73.3/51.1
C128	4030017730	S.CER ECJ0EB1E471K	B	73.3/39
C131	4030017490	S.CER C1608 JB 1A 105K-T	B	18.4/5.2
C132	4030017490	S.CER C1608 JB 1A 105K-T	B	19.7/9
C133	4030017740	S.CER ECJ0EB1E821K	B	85.2/32.1
C134	4030017740	S.CER ECJ0EB1E821K	B	86.6/17
C135	4030017490	S.CER C1608 JB 1A 105K-T	B	21/5.2
C136	4030017450	S.CER ECJ0EB1E271K	B	87.7/34.6
C137	4030017450	S.CER ECJ0EB1E271K	B	87.6/21
C138	4030017490	S.CER C1608 JB 1A 105K-T	B	22.3/9
C139	4030017460	S.CER ECJ0EB1E102K	B	72.4/40.7
C140	4030017430	S.CER ECJ0EC1H101J	B	73.9/42.2
C141	4030017460	S.CER ECJ0EB1E102K	B	72.4/28.6
C142	4030017430	S.CER ECJ0EC1H101J	B	73.9/30.1
C143	4030017490	S.CER C1608 JB 1A 105K-T	B	23.6/5.2
C144	4030017490	S.CER C1608 JB 1A 105K-T	B	24.9/9
C145	4030016780	S.CER ECJ0EB1C153K	B	77.4/49.7
C146	4030016780	S.CER ECJ0EB1C153K	B	77.4/37.4
C147	4030018100	S.CER ECJ0EB1H681K	B	83.6/36.6
C148	4030018100	S.CER ECJ0EB1H681K	B	83.6/23
C149	4030017490	S.CER C1608 JB 1A 105K-T	B	26.2/5.2
C150	4030017460	S.CER ECJ0EB1E102K	B	77.4/43.7
C151	4030017460	S.CER ECJ0EB1E102K	B	77.4/31.5
C152	4030008680	S.CER C2012 JF 1C 105Z-T	B	28.3/2
C153	4030016930	S.CER ECJ0EB1A104K	B	78.4/46.7
C154	4030016930	S.CER ECJ0EB1A104K	B	78.4/34.5
C155	4030017730	S.CER ECJ0EB1E471K	B	85.2/37.1
C156	4030016930	S.CER ECJ0EB1A104K	B	86.7/30.6
C157	4030017730	S.CER ECJ0EB1E471K	B	85.1/23.5
C158	4030016930	S.CER ECJ0EB1A104K	B	87.6/17
C159	4550007260	S.TAN F931C475MAABMA	B	31.6/2.9
C160	4030017720	S.CER ECJ0EB1H331K	B	77.9/40.2
C161	4030017720	S.CER ECJ0EB1H331K	B	77.9/28.1
C162	4030011600	S.CER C1608 JB 1E 104K-T	B	29.9/2.4
C163	4030017720	S.CER ECJ0EB1H331K	B	77.9/41.2
C164	4030017720	S.CER ECJ0EB1H331K	B	77.9/29.1
C165	4030017760	S.CER ECJ0EB1H222K	B	87.2/37.1
C166	4030018080	S.CER ECJ0EB1H182K	B	89.2/32.1
C167	4030017760	S.CER ECJ0EB1H222K	B	87.1/24.5
C168	4030018080	S.CER ECJ0EB1H182K	B	89.1/18.5
C169	4030016790	S.CER ECJ0EB1C103K	B	89.2/36.1
C170	4030016930	S.CER ECJ0EB1A104K	B	89.7/34.6
C171	4030016790	S.CER ECJ0EB1C103K	B	89.1/22.5
C172	4030016930	S.CER ECJ0EB1A104K	B	89.6/21
C173	4030017460	S.CER ECJ0EB1E102K	T	16.6/37.2
C174	4030016930	S.CER ECJ0EB1A104K	B	60.5/44.1
C175	4030016930	S.CER ECJ0EB1A104K	T	25.1/44.6
C176	4030016930	S.CER ECJ0EB1A104K	T	16.1/39.8
C177	4030017460	S.CER ECJ0EB1E102K	T	26.1/42.6
C178	4030017460	S.CER ECJ0EB1E102K	T	29.4/42.6
C179	4030017460	S.CER ECJ0EB1E102K	B	99.9/27
C180	4030017460	S.CER ECJ0EB1E102K	T	5.5/27.7
C181	4030017460	S.CER ECJ0EB1E102K	B	99.9/28
C182	4030017460	S.CER ECJ0EB1E102K	T	20.8/42.6
C183	4030017780	S.CER ECJ0EB1E472K	T	105/8.8
C184	4030017490	S.CER C1608 JB 1A 105K-T	B	108.3/39.8
C185	4030017460	S.CER ECJ0EB1E102K	T	30/9.8
C186	4030017460	S.CER ECJ0EB1E102K	B	39.8/43.9
C187	4030017460	S.CER ECJ0EB1E102K	B	40.6/39.6
C188	4030017460	S.CER ECJ0EB1E102K	B	109.8/31.3
C189	4030017460	S.CER ECJ0EB1E102K	B	75.2/0.6
C190	4030016930	S.CER ECJ0EB1A104K	B	80.7/10
C191	4030016930	S.CER ECJ0EB1A104K	B	16.5/8.2
C192	4030016930	S.CER ECJ0EB1A104K	B	89.7/30.6
C193	4030016930	S.CER ECJ0EB1A104K	B	90.6/6.5
C194	4030017490	S.CER C1608 JB 1A 105K-T	B	14.4/6.2
C196	4030016930	S.CER ECJ0EB1A104K	T	101.3/7.7
J3	6450002250	CON HSJ1456-010320		
J5	6510022150	S.CON AXN340C130P	B	93.7/27.5
J6	6450002131	CON 04-730A3-02BKA		
J8	6510021901	S.CON BM02B-ASRS-TF(LF)(SN)	T	26.4/2.7
J9	6510024221	S.CON 23FLZ-RSM2-TB(LF)(SN)	B	113.8/36.8
DS1	5040002930	S.LED SML-512MW T86	T	81.3/38.4
DS2	5040002930	S.LED SML-512MW T86	T	45.6/25.9
DS3	5040002930	S.LED SML-512MW T86	T	45.6/38.4
DS4	5040002930	S.LED SML-512MW T86	T	81.3/25.9
DS5	5040002930	S.LED SML-512MW T86	T	63.2/25.9
DS6	5040002930	S.LED SML-512MW T86	T	63.2/38.4
DS7	5040002930	S.LED SML-512MW T86	T	81.3/13.4
DS8	5040002930	S.LED SML-512MW T86	T	63.2/13.4
DS9	5040002930	S.LED SML-512MW T86	T	45.6/13.4
DS11	5040002990	S.LED SML-512UWT86	T	32.8/6.6

[LOGIC UNIT]

REF NO.	PARTS NO.	DESCRIPTION	M.	H/V LOCATION
DS12	5030002691	LCD M3-0243TIY-1		
S24	2250000200	ENC TP90N00E20-16F-1517		
S25	2250000200	ENC TP90N00E20-16F-1517		
EP1	6910012350	S.BEA MMZ1608Y 102BT	T	125.4/28.5
EP2	6910012350	S.BEA MMZ1608Y 102BT	T	125.4/23.5
EP3	6910012350	S.BEA MMZ1608Y 102BT	T	125.4/11.4
EP4	6910012350	S.BEA MMZ1608Y 102BT	T	125.4/6.4
EP6	6910014680	S.BEA MMZ1608Y 121BT	B	112.4/2.8
EP7	6910013310	S.BEA MMZ1608D121B	B	114.5/12.5
EP8	6910014680	S.BEA MMZ1608Y 121BT	T	112.3/11.2
EP9	6910014690	S.BEA MPZ1608S221A-T	T	102.6/8.8
EP10	6910014690	S.BEA MPZ1608S221A-T	T	105.5/6.9
EP12	6910018350	E.O SD1081 RX2699		
EP13	6910016220	S.BEA MZA2010D121C	B	47.3/10.7

M.=Mounted side (T: Mounted on the Top side, B: Mounted on the Bottom side)
S.=Surface mount

[REC UNIT]

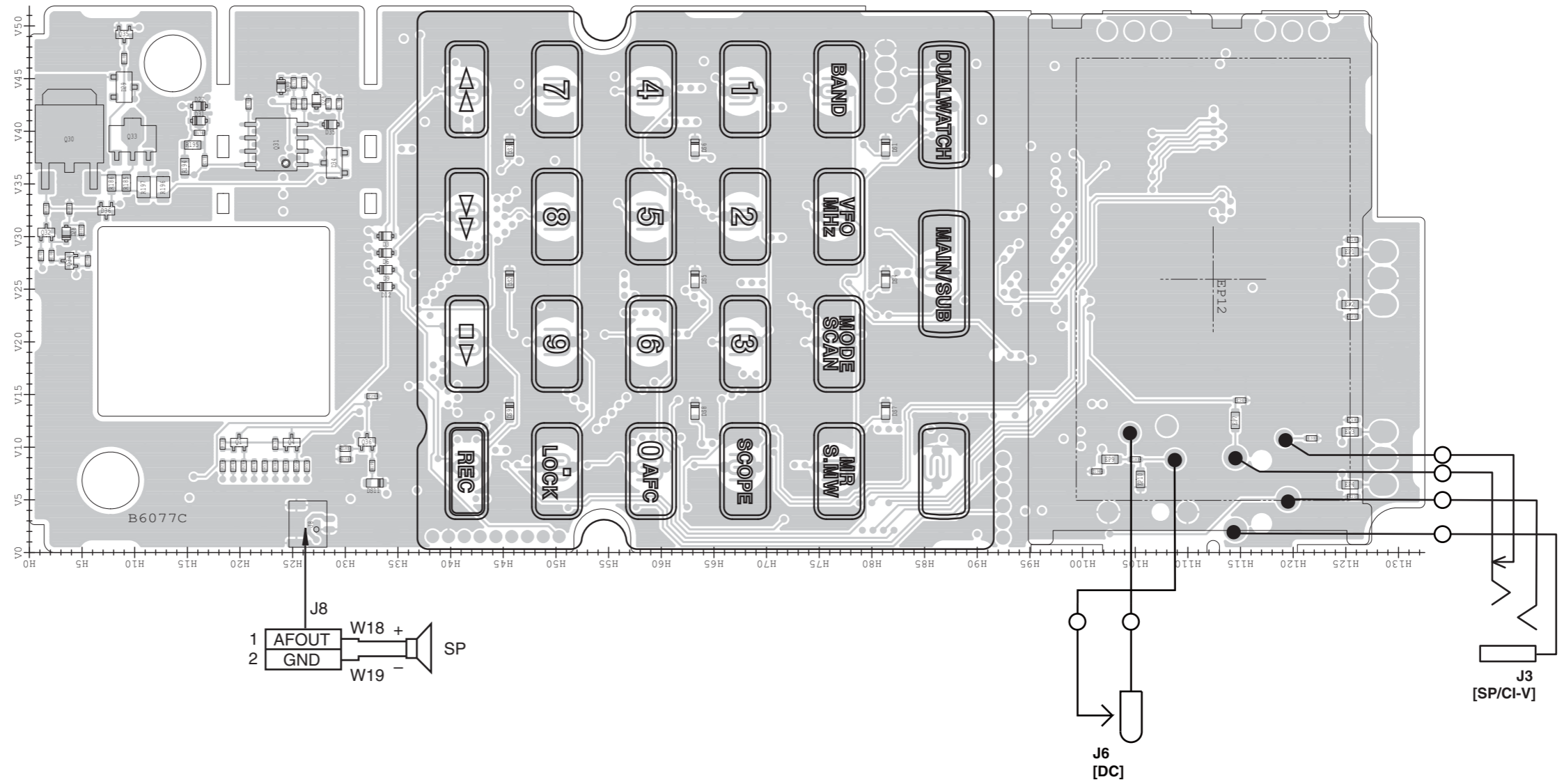
REF NO.	PARTS NO.	DESCRIPTION	M.	H/V LOCATION
IC1	1130011980	S.IC BD5228G-TR	T	12.2/15.2
IC2	1140012090	S.IC M30622M6P-131GP (RX-2699A ALL)	B	14.9/26.2
IC3	1130011681	S.IC FT245BL	T	27.4/16.7
IC4	1130012250	S.IC SN74AHC1G02DCKR	B	9.3/37.3
IC5	1130012260	S.IC SN74AHC1G32DCKR	B	7.5/35.5
IC6	1130011971	S.IC K9F5608U0D-PCB0 <TOMO>	B	24.2/12.2
IC7	1190001951	S.IC ML2302TB203A	T	19.7/28.2
IC8	1130011801	S.IC SN74AHC1G66HDBV3	T	24.5/38.3
IC9	1130011801	S.IC SN74AHC1G66HDBV3	T	24.5/41.8
IC10	1180002371	S.REG R1111N321B-TR-F	T	17.8/15.3
Q1	1590003301	S.TRA UNR921NG0L	B	38.3/9.5
Q2	1590003511	S.TRA UNR9119G0L	B	35.9/9.7
X1	6050010940	S.XTA CR-672 SMD-49 6.000 MHz <KDS>	T	7.4/13.9
X2	6050011240	S.XTA CR-708 DSX631S 16.384 MHz	T	7.5/24.9
R1	7030005050	S.RES ERJ2GEJ 103 X (10K)	T	11.2/19.5
R6	7030009530	S.RES ERJ2GEJ 270 X (27)	T	35.4/12
R7	7030009530	S.RES ERJ2GEJ 270 X (27)	T	35.9/13.5
R8	7030005240	S.RES ERJ2GEJ 473 X (47K)	T	4.3/30
R9	7030005050	S.RES ERJ2GEJ 103 X (10K)	T	12.7/18.7
R10	7030005240	S.RES ERJ2GEJ 473 X (47K)	B	6.5/19.5
R11	7030005000	S.RES ERJ2GEJ 471 X (470)	T	22/11.8
R12	7030007280	S.RES ERJ2GEJ 331 X (330)	B	9.3/15.8
R13	7030005030	S.RES ERJ2GEJ 152 X (1.5K)	T	34.6/13.4
R15	7030005240	S.RES ERJ2GEJ 473 X (47K)	T	4.3/32
R16	7030005170	S.RES ERJ2GEJ 474 X (470K)	T	28.3/33.6
R17	7030005100	S.RES ERJ2GEJ 154 X (150K)	T	27.9/35.4
R18	7030005230	S.RES ERJ2GEJ 334 X (330K)	T	46.1/46.6
R19	7030005240	S.RES ERJ2GEJ 473 X (47K)	T	4.3/31
R20	7030004980	S.RES ERJ2GEJ 101 X (100)	B	39.3/7.5
R21	7030005090	S.RES ERJ2GEJ 104 X (100K)	T	8/31.4
R22	7030005090	S.RES ERJ2GEJ 104 X (100K)	T	9.5/30.9
C1	4030016790	S.CER ECJ0EB1C103K	T	32/10.5
C2	4550006050	S.TAN TEESVA 0J 106M8R	T	15/14.8
C3	4030016790	S.CER ECJ0EB1C103K	T	11.7/17.7
C4	4030016790	S.CER ECJ0EB1C103K	T	17.3/17.7
C5	4030016790	S.CER ECJ0EB1C103K	T	12.7/12.9
C6	4030017660	S.CER ECJ0EC1H330J	B	7.9/16.6
C7	4030017660	S.CER ECJ0EC1H330J	B	7.9/18
C8	4030017330	S.CER ECJ0EF1C104Z	T	23.4/10.3
C9	4030017040	S.CER ECJ0EB1A333K	T	35.9/15.7
C10	4030017330	S.CER ECJ0EF1C104Z	B	10.7/15.1
C11	4030016790	S.CER ECJ0EB1C103K	B	21.9/34.6
C12	4030016790	S.CER ECJ0EB1C103K	B	6.4/18
C13	4030016790	S.CER ECJ0EB1C103K	B	6/34.4
C14	4030016790	S.CER ECJ0EB1C103K	B	13.9/4.1
C15	4030016790	S.CER ECJ0EB1C103K	B	33.2/21.6
C16	4030016790	S.CER ECJ0EB1C103K	T	28.9/31.4
C17	4030017390	S.CER ECJ0EC1H180J	T	27.5/32.8
C18	4030016790	S.CER ECJ0EB1C103K	T	21.6/40.8
C19	4030016790	S.CER ECJ0EB1C103K	T	26/34.9
C20	4030017400	S.CER ECJ0EC1H220J	T	10.3/22.7
C21	4030017400	S.CER ECJ0EC1H220J	T	10.3/24.7
C22	4030016790	S.CER ECJ0EB1C103K	T	19.7/38.7
C23	4030017490	S.CER C1608 JB 1A 105K-T	T	14.4/35.5
C24	4030017490	S.CER C1608 JB 1A 105K-T	T	16.4/37.5
C25	4030016790	S.CER ECJ0EB1C103K	T	27.4/38.3
C26	4030016790	S.CER ECJ0EB1C103K	T	27.4/41.8
C27	4550007460	S.TAN F930G107MBABMA	B	35.3/5.6
C28	4030016790	S.CER ECJ0EB1C103K	B	39.9/9.8
J2	6510024171	S.CON CSS5005-0401FSZ	T	35.6/3.9
J6	6910006591	CON IMSA-9230B-1-04Z030-PT1		
J7	6910006521	CON IMSA-9230B-1-06Z030-PT1		
S1	2230001070	S.SWI JPM1990-2711R	T	69.5/48.6
S2	2230001070	S.SWI JPM1990-2711R	T	52.6/48.6
S3	2230001070	S.SWI JPM1990-2711R	T	39.6/48.6
EP1	6910012350	S.BEA MMZ1608Y 102BT	T	34/11.2
EP3	6910012350	S.BEA MMZ1608Y 102BT	T	38.6/10.8
EP4	6910012350	S.BEA MMZ1608Y 102BT	T	40.3/10.4

M.=Mounted side (T: Mounted on the Top side, B: Mounted on the Bottom side)
S.=Surface mount

BOARD LAYOUTS

The combination of top side and bottom side of this page shows the actual configuration of P.C. board.

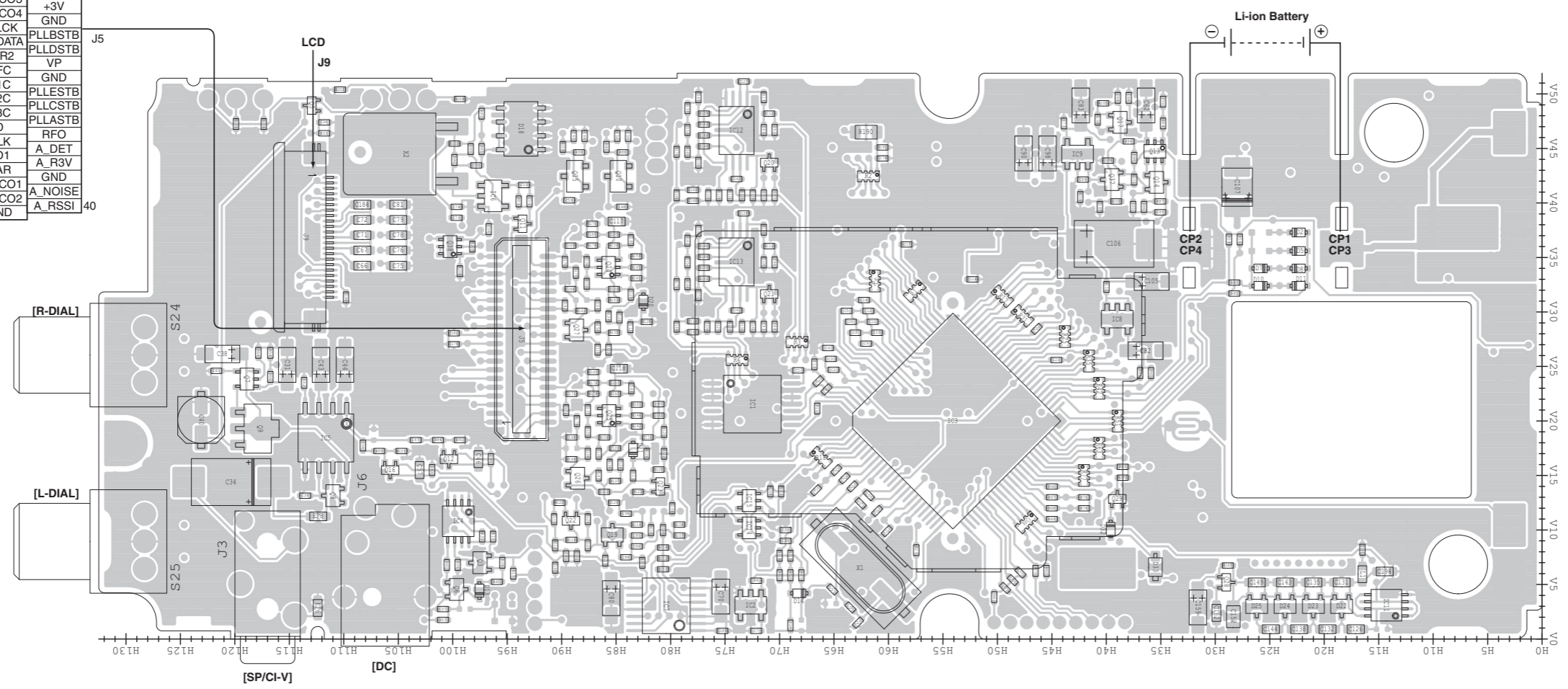
• LOGIC UNIT (TOP VIEW)



to RF UNIT J1

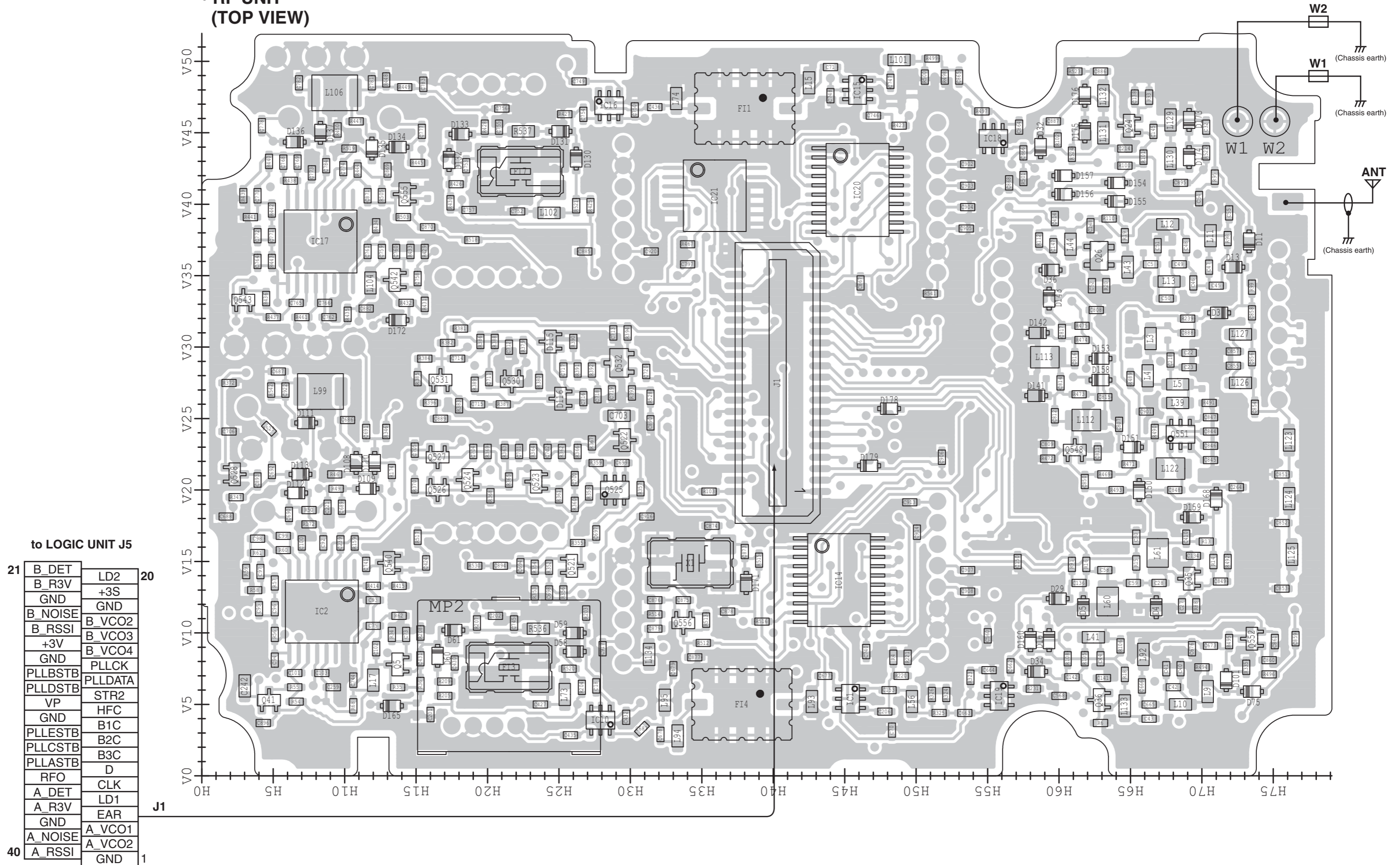
20	LD2	B_DET	21
	+3S	B_R3V	
	GND	GND	
	B_VCO2	B_NOISE	
	B_VCO3	B_RSSI	
	B_VCO4	+3V	
		GND	
	PLLCK	PLLBSTB	
	PLLDATA	PLLDSTB	
	STR2	VP	
	HFC	GND	
	B1C	PLLESTB	
	B2C	PLLCSTB	
	B3C	PLLASTB	
	D	RFO	
	CLK	A_DET	
	LD1	A_R3V	
	EAR	GND	
	A_VCO1	A_NOISE	40
	A_VCO2	A_RSSI	
1	GND		

• LOGIC UNIT
(BOTTOM VIEW)



The combination of top side and bottom side of this page shows the actual configuration of P.C. board.

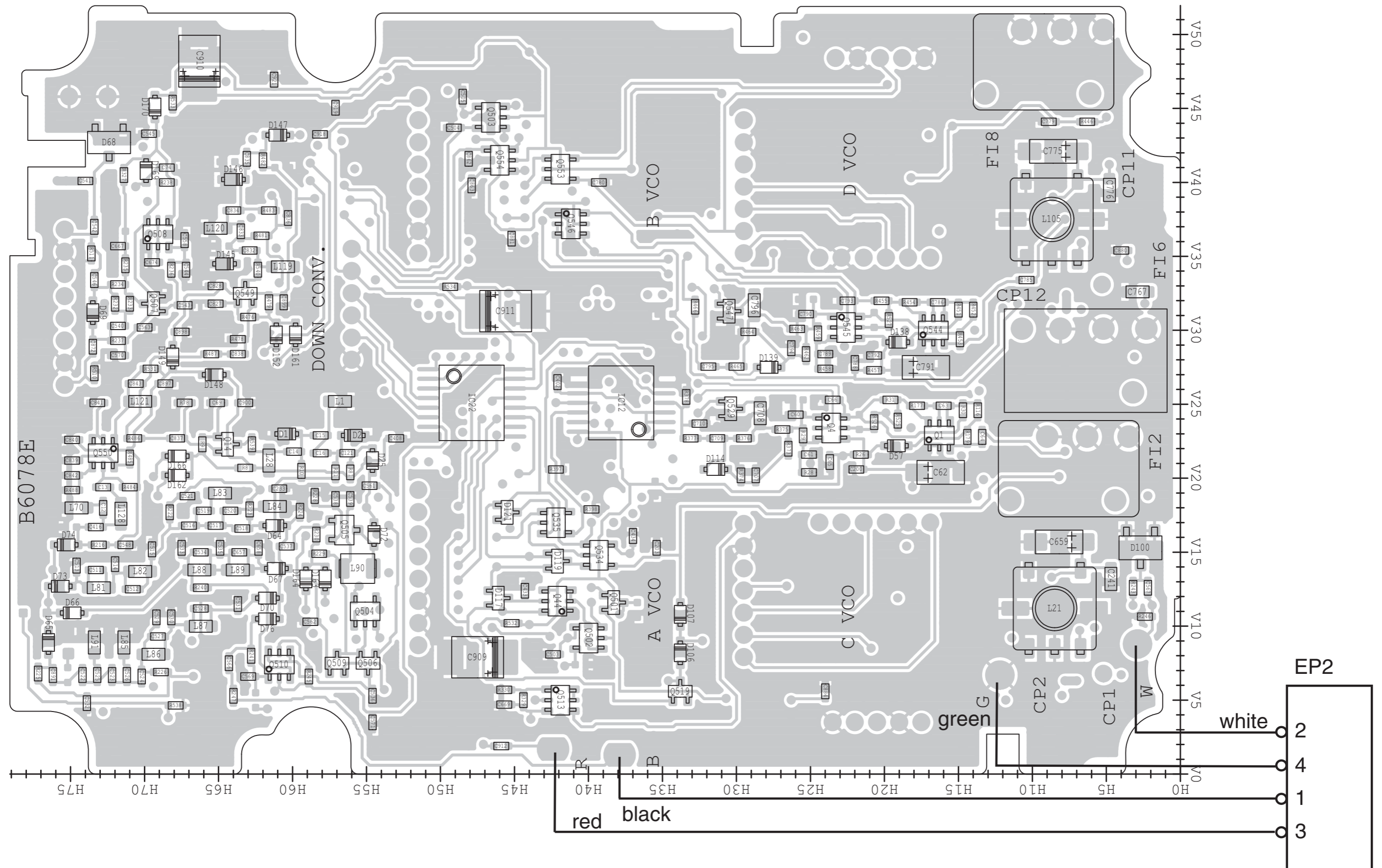
• RF UNIT
(TOP VIEW)



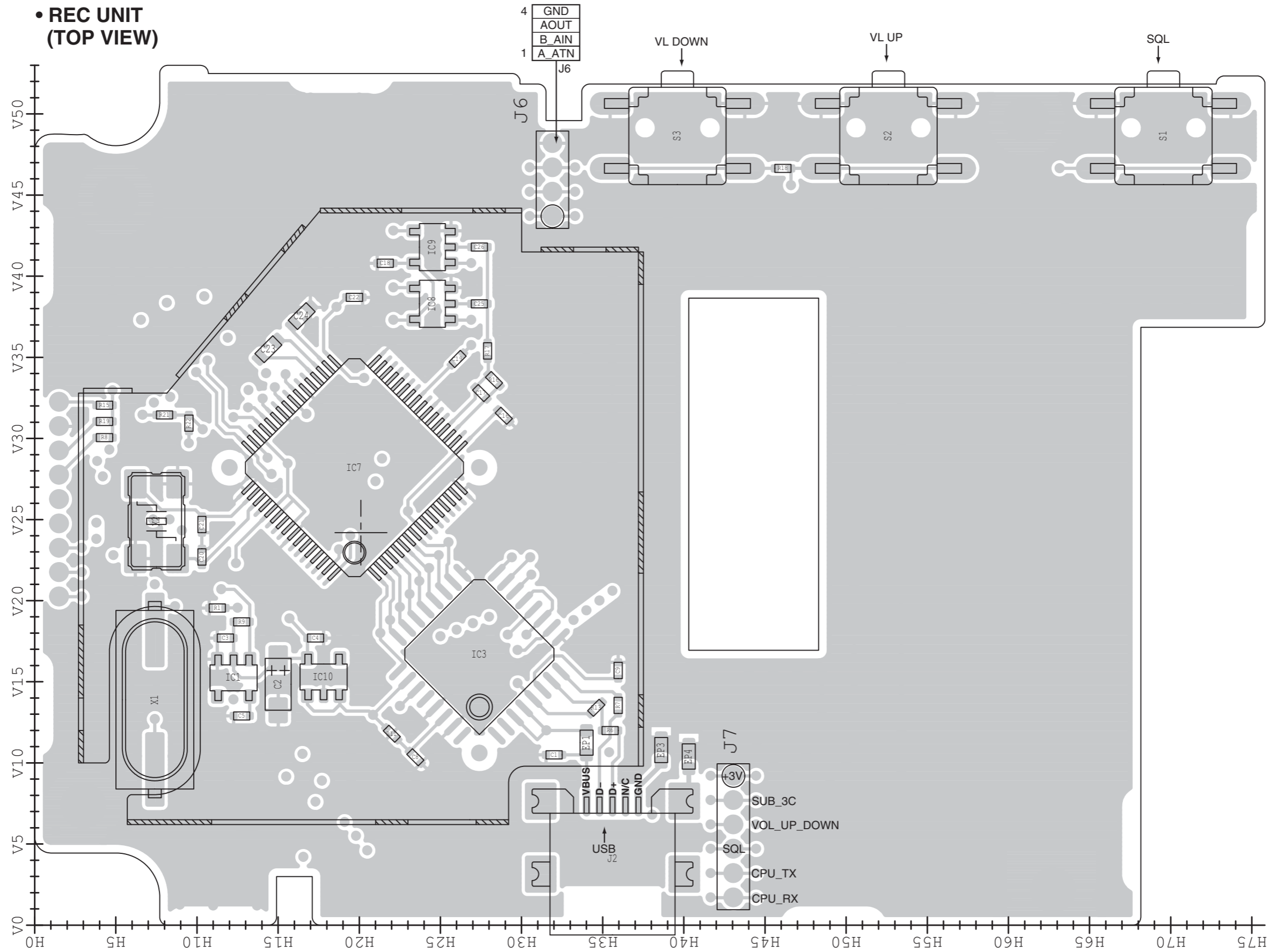
to LOGIC UNIT J5

21	B_DET	LD2	20
	B_R3V	+3S	
	GND	GND	
	B_NOISE	B_VCO2	
	B_RSSI	B_VCO3	
	+3V	B_VCO4	
	GND	PLLCK	
	PLLBSTB	PLLDATA	
	PLLDSTB	STR2	
	VP	HFC	
	GND	B1C	
	PLLESTB	B2C	
	PLLCTB	B3C	
	PLLSTB	D	
	RFO	CLK	
	A_DET	LD1	
	A_R3V	EAR	
	GND	A_VCO1	
	A_NOISE	A_VCO2	
40	A_RSSI	GND	1

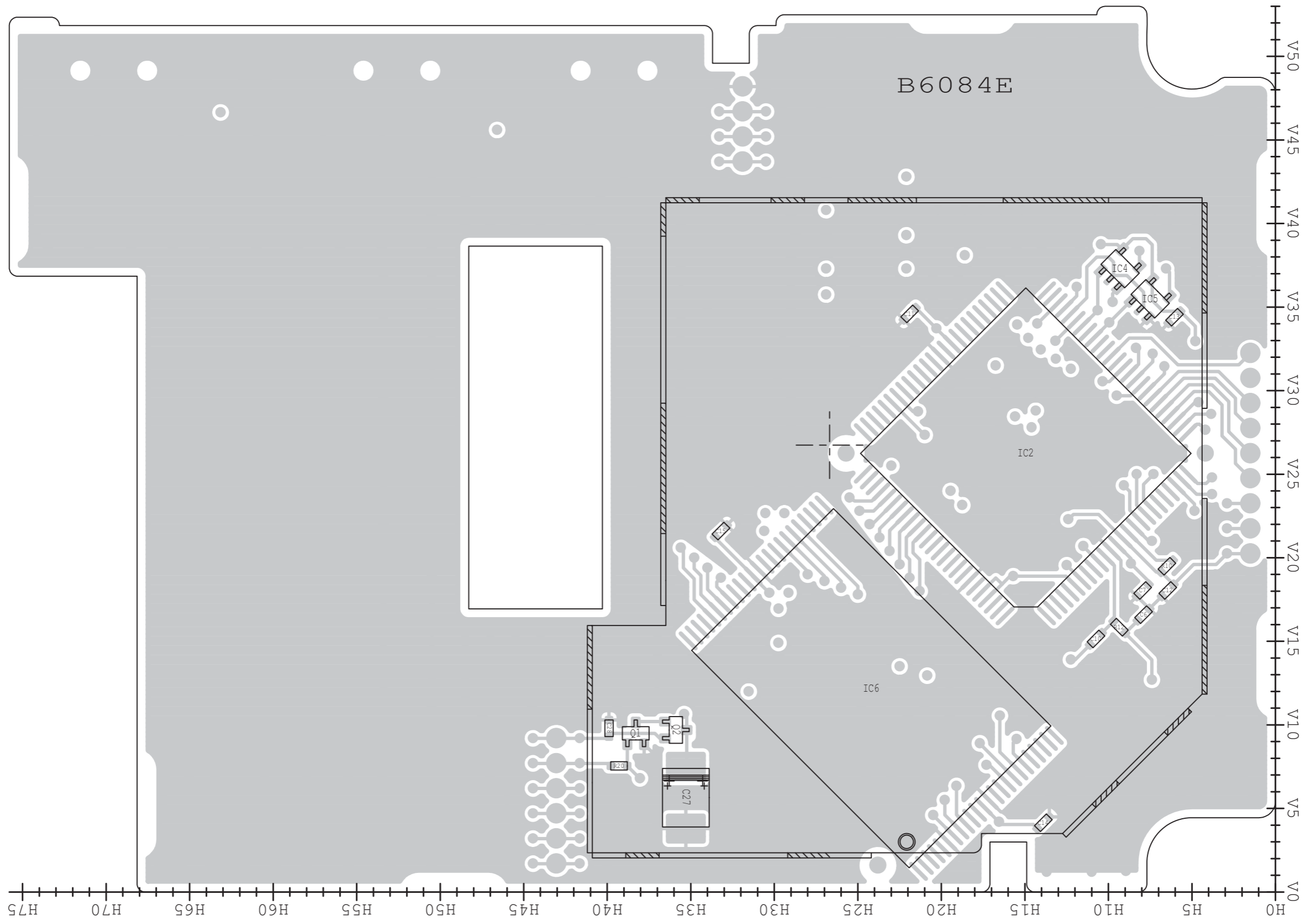
• RF UNIT
(BOTTOM VIEW)



• REC UNIT
(TOP VIEW)

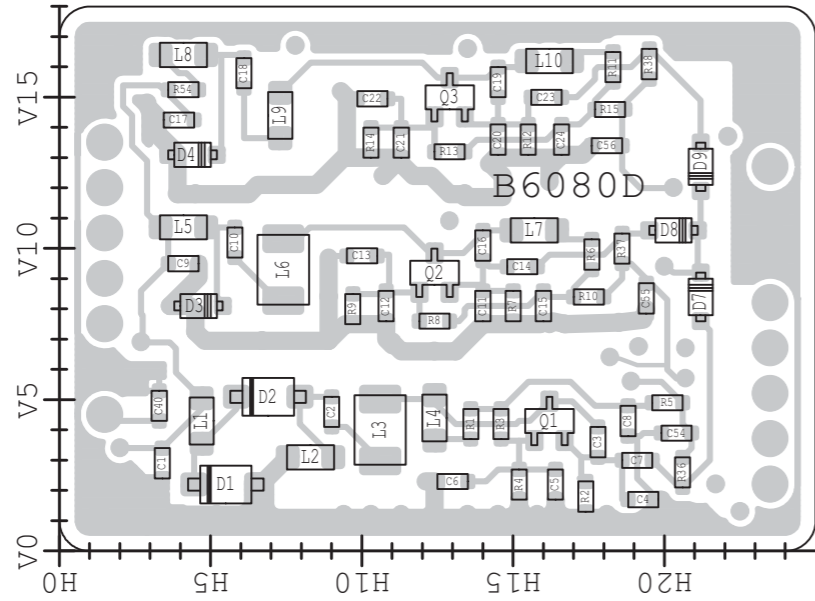


• REC UNIT
(BOTTOM VIEW)

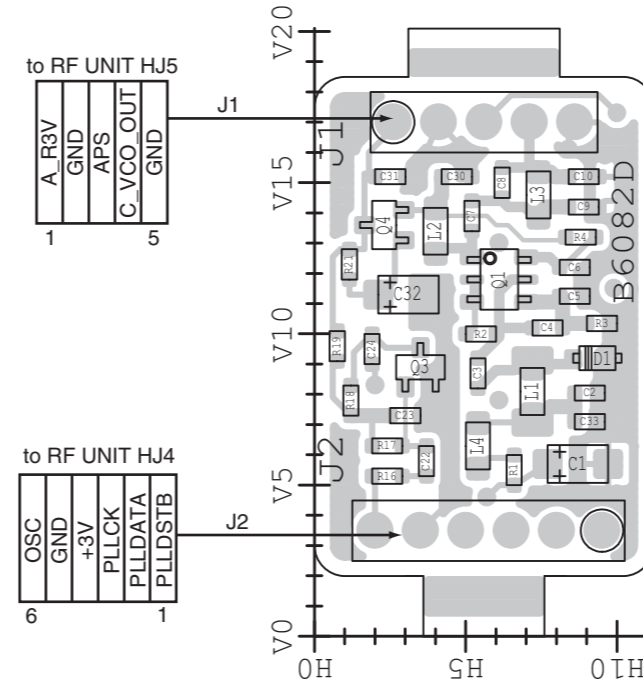


The combination of this page and next page shows the top side and bottom side of actual P.C. board.

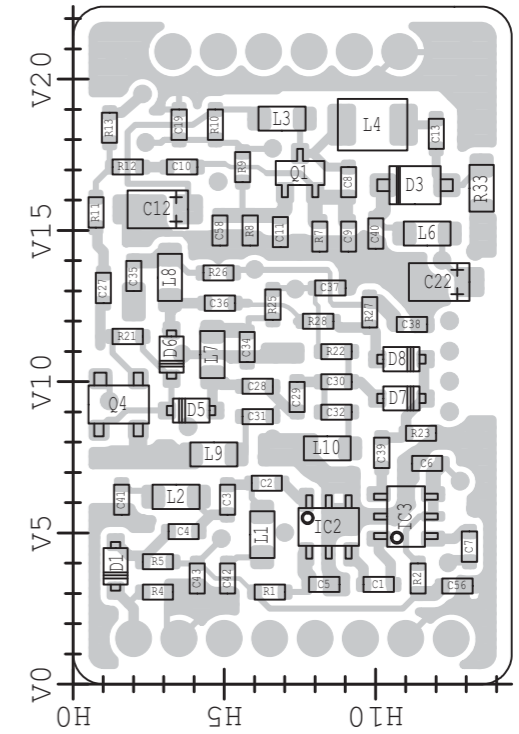
• 1STAVCO BOARD (TOP VIEW)



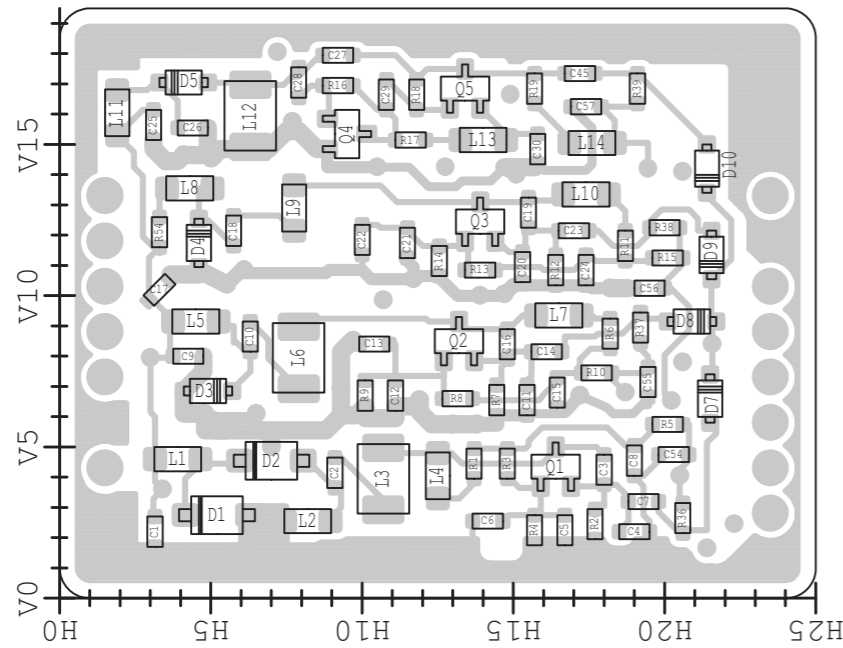
• 2NDCVCO BOARD (TOP VIEW)



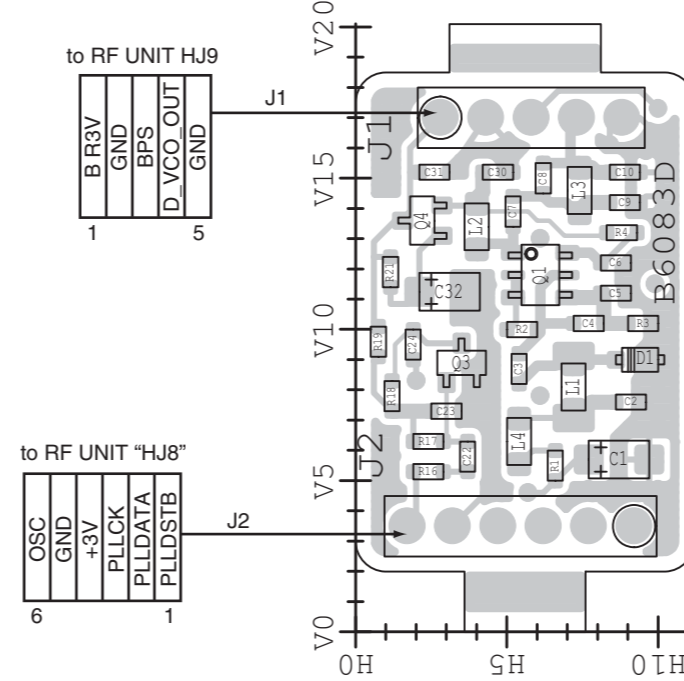
• DOWNCONV BOARD (TOP VIEW)



• 1STBVCO BOARD (TOP VIEW)

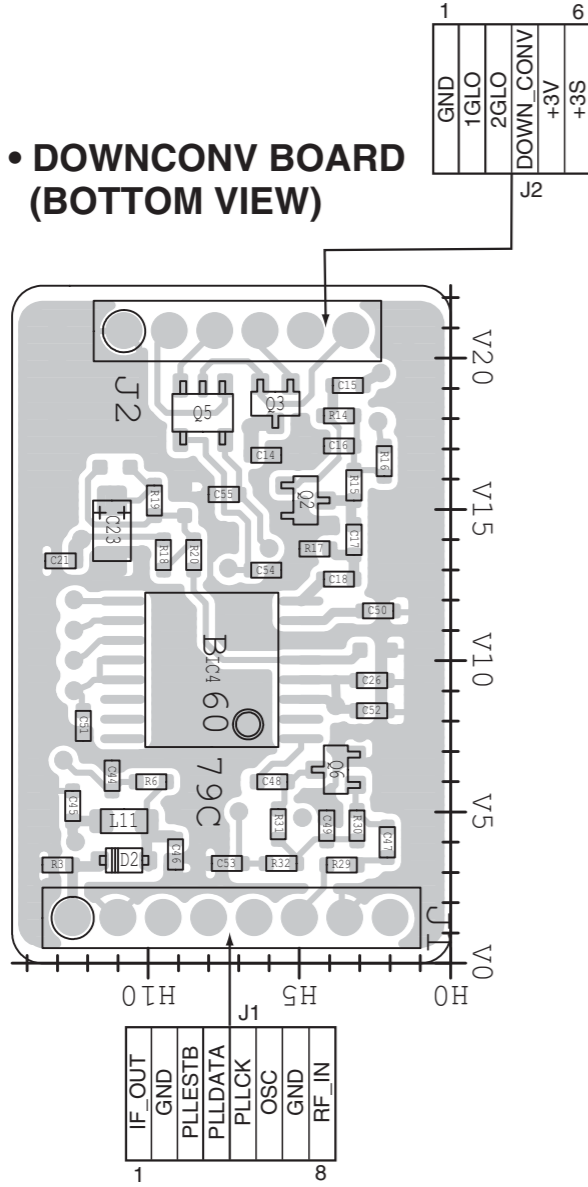


• 2NDDVCO BOARD (TOP VIEW)

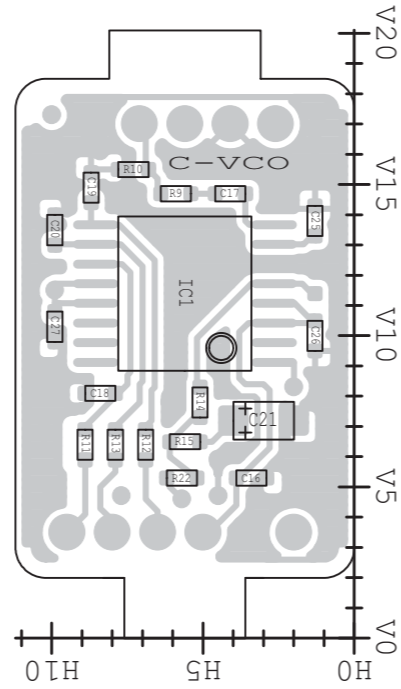


The combination of this page and next page shows the top side and bottom side of actual P.C. board.

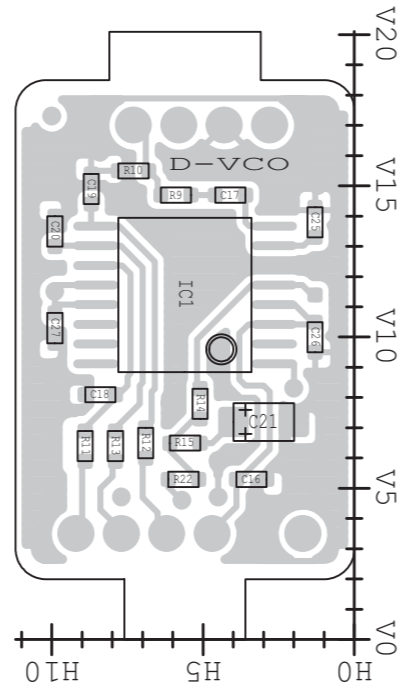
• DOWNCONV BOARD (BOTTOM VIEW)



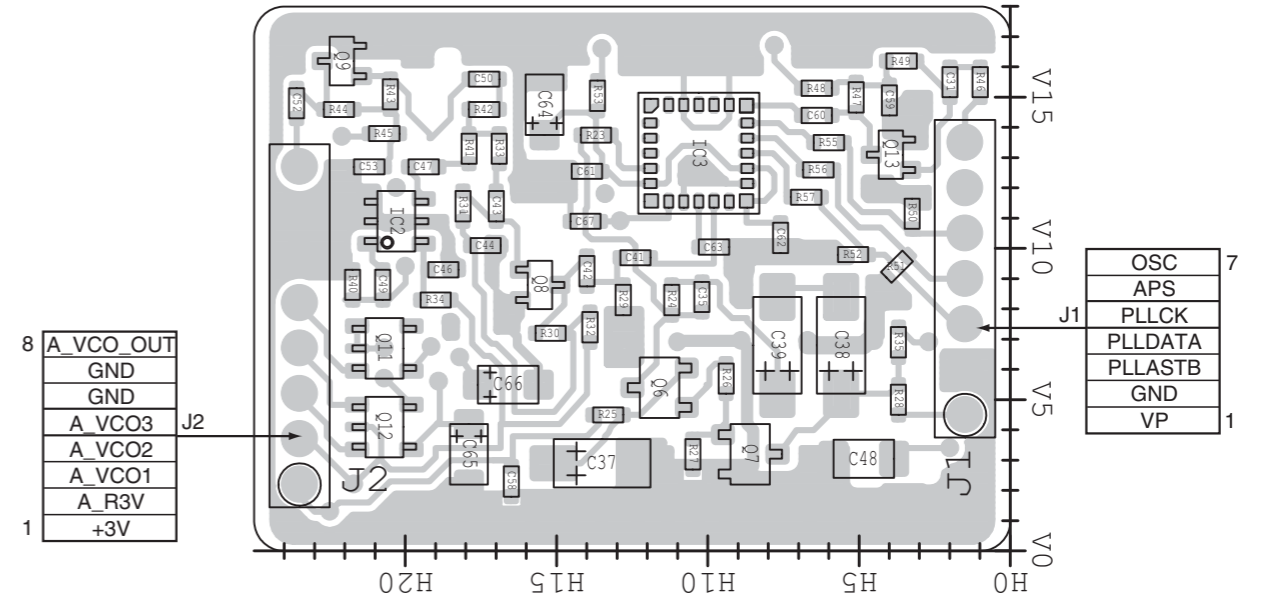
• 2NDCVCO BOARD (BOTTOM VIEW)



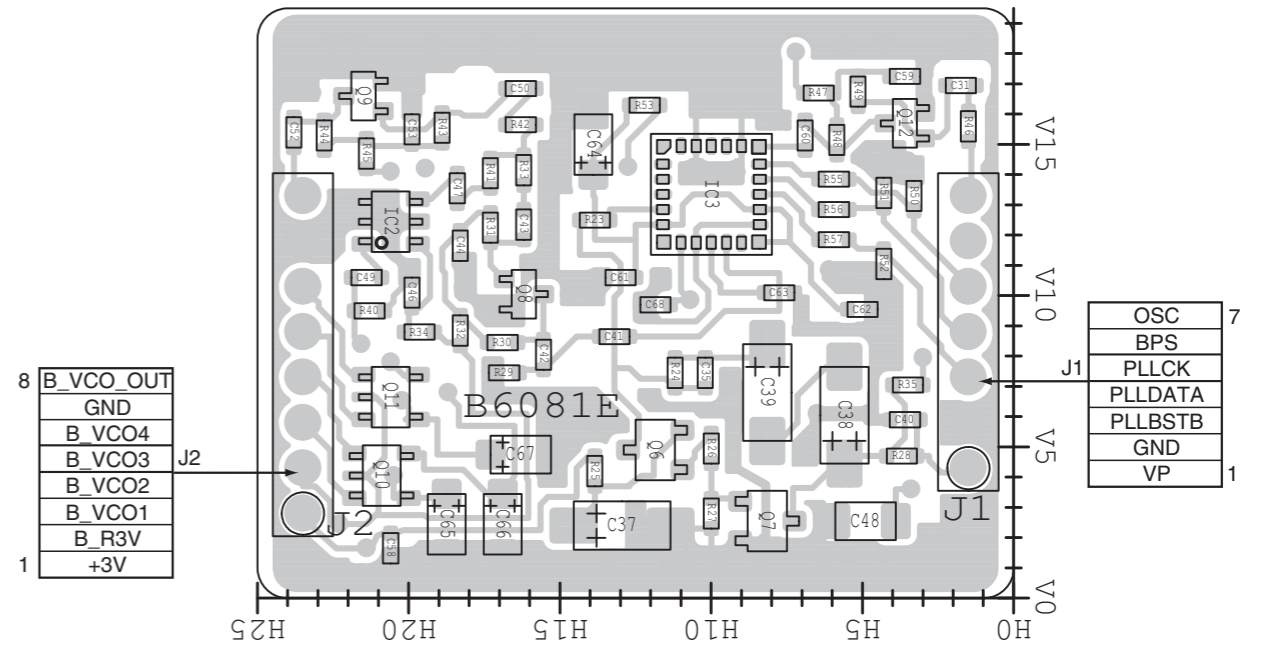
• 2NDDVCO BOARD (BOTTOM VIEW)



• 1STAVCO BOARD (BOTTOM VIEW)



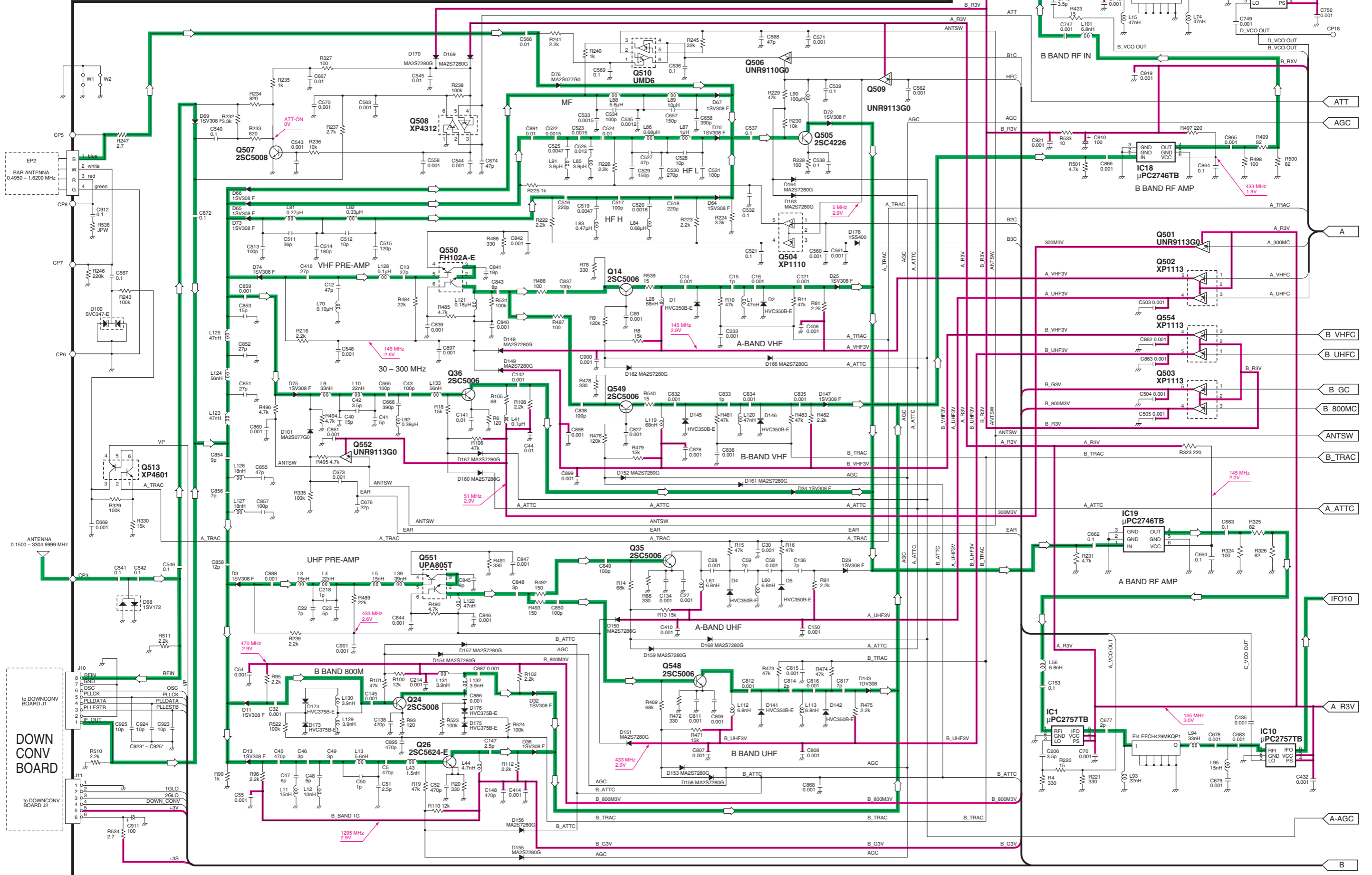
• 1STBVCO BOARD (BOTTOM VIEW)



VOLTAGE DIAGRAM

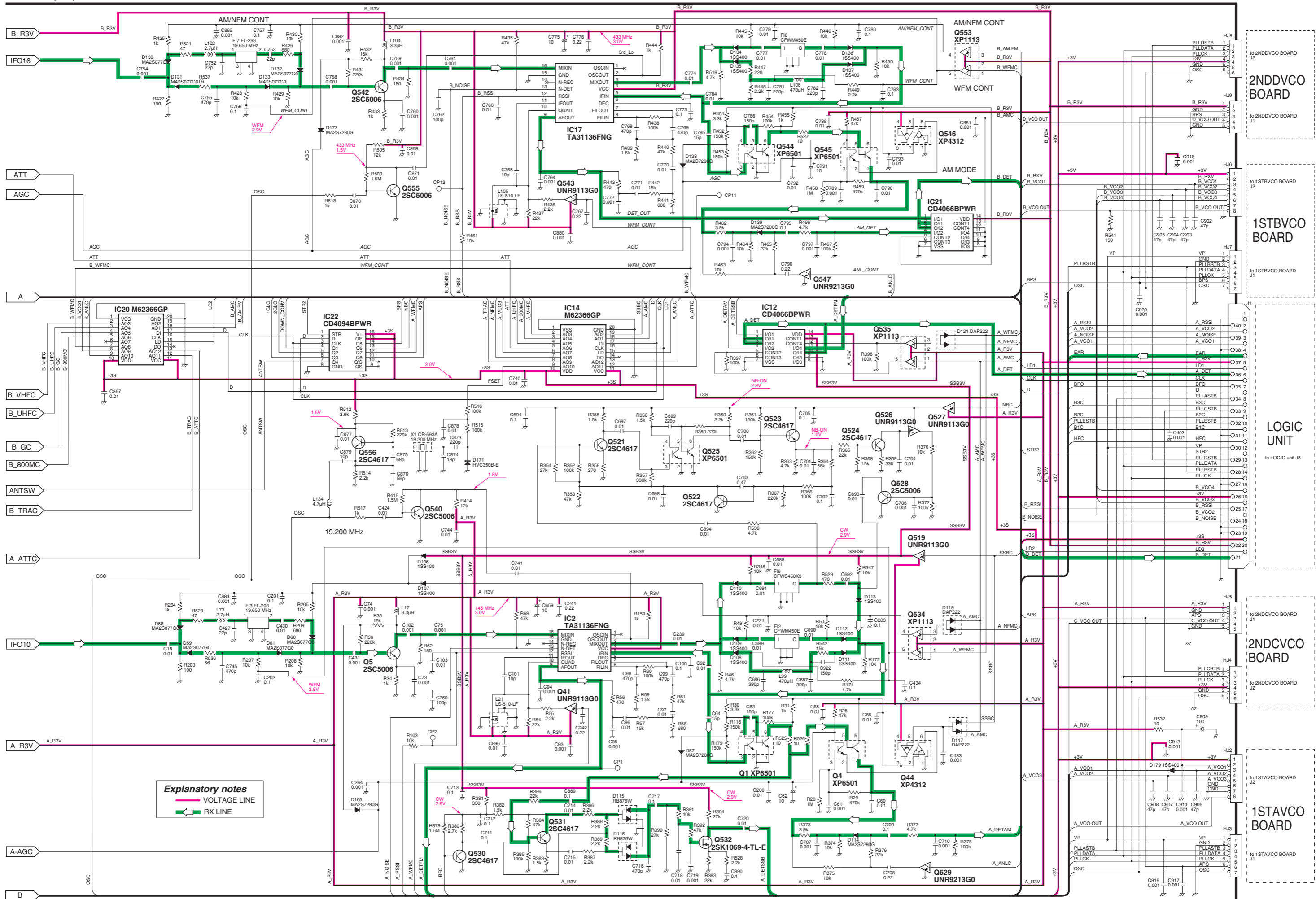
Explanatory notes
— VOLTAGE LINE
— RX LINE

RF UNIT (1/2)

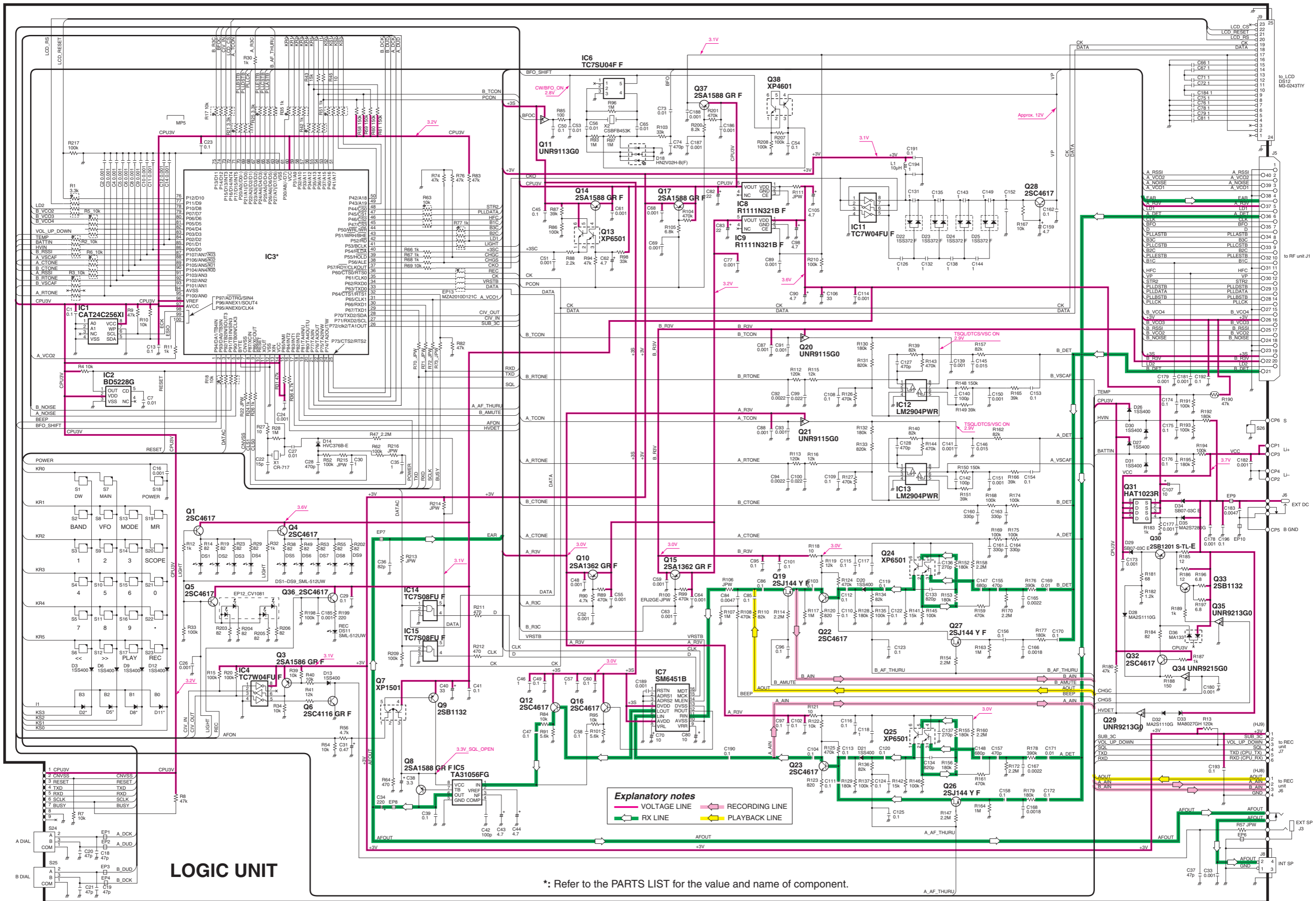


*: Refer to the PARTS LIST for the value and name of component.

RF UNIT (2/2)



*: Refer to the PARTS LIST for the value and name of component.



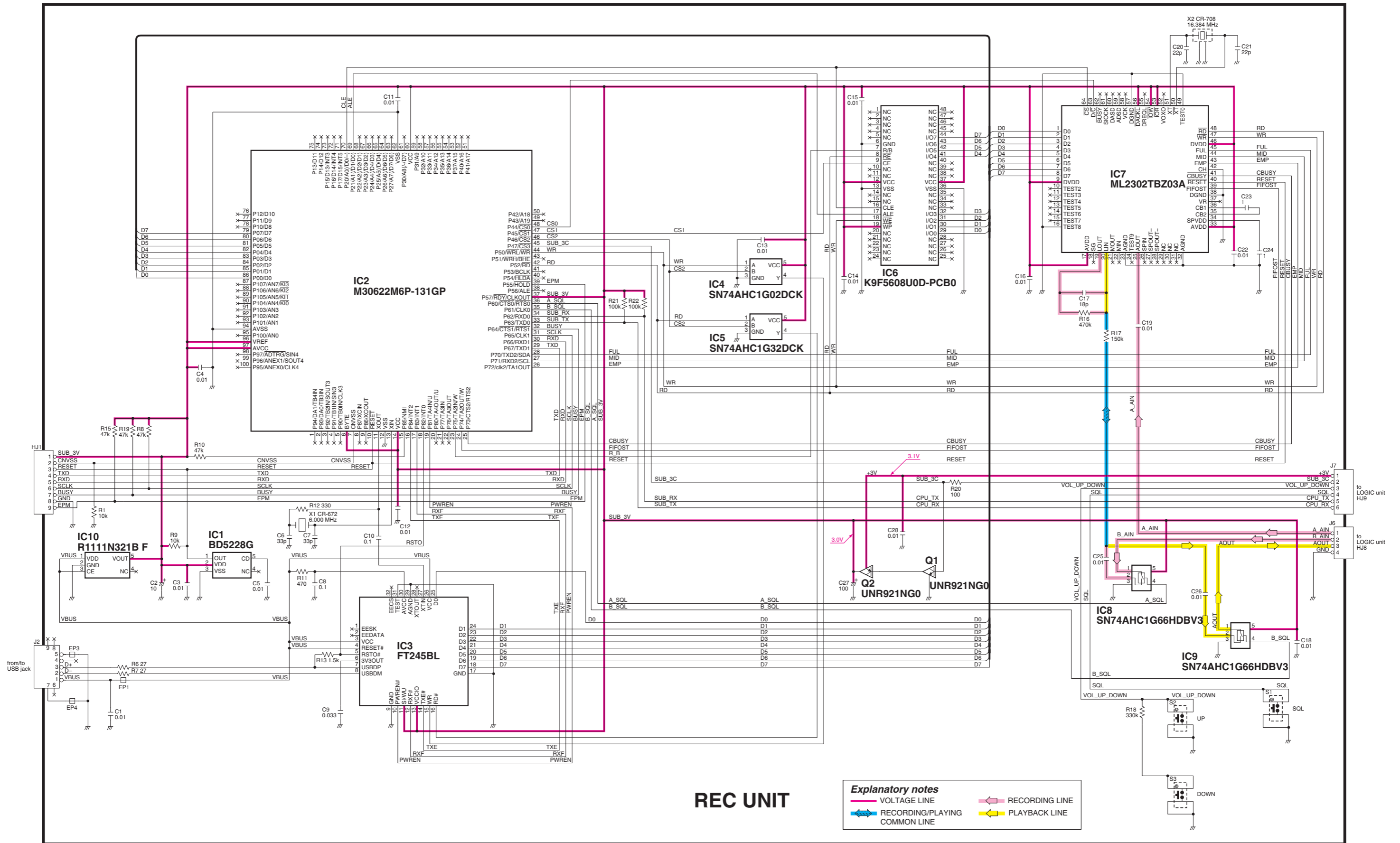
Explanatory notes

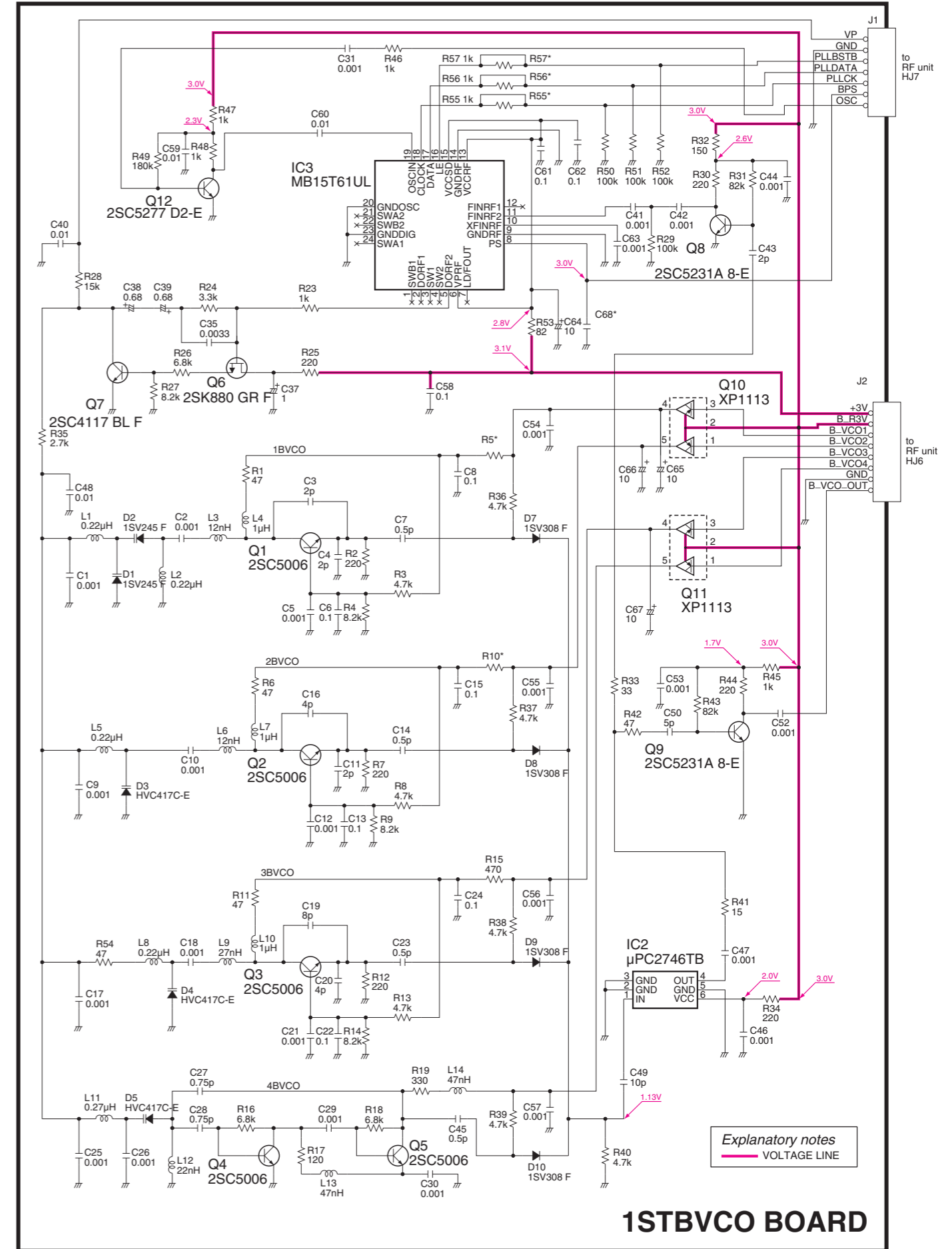
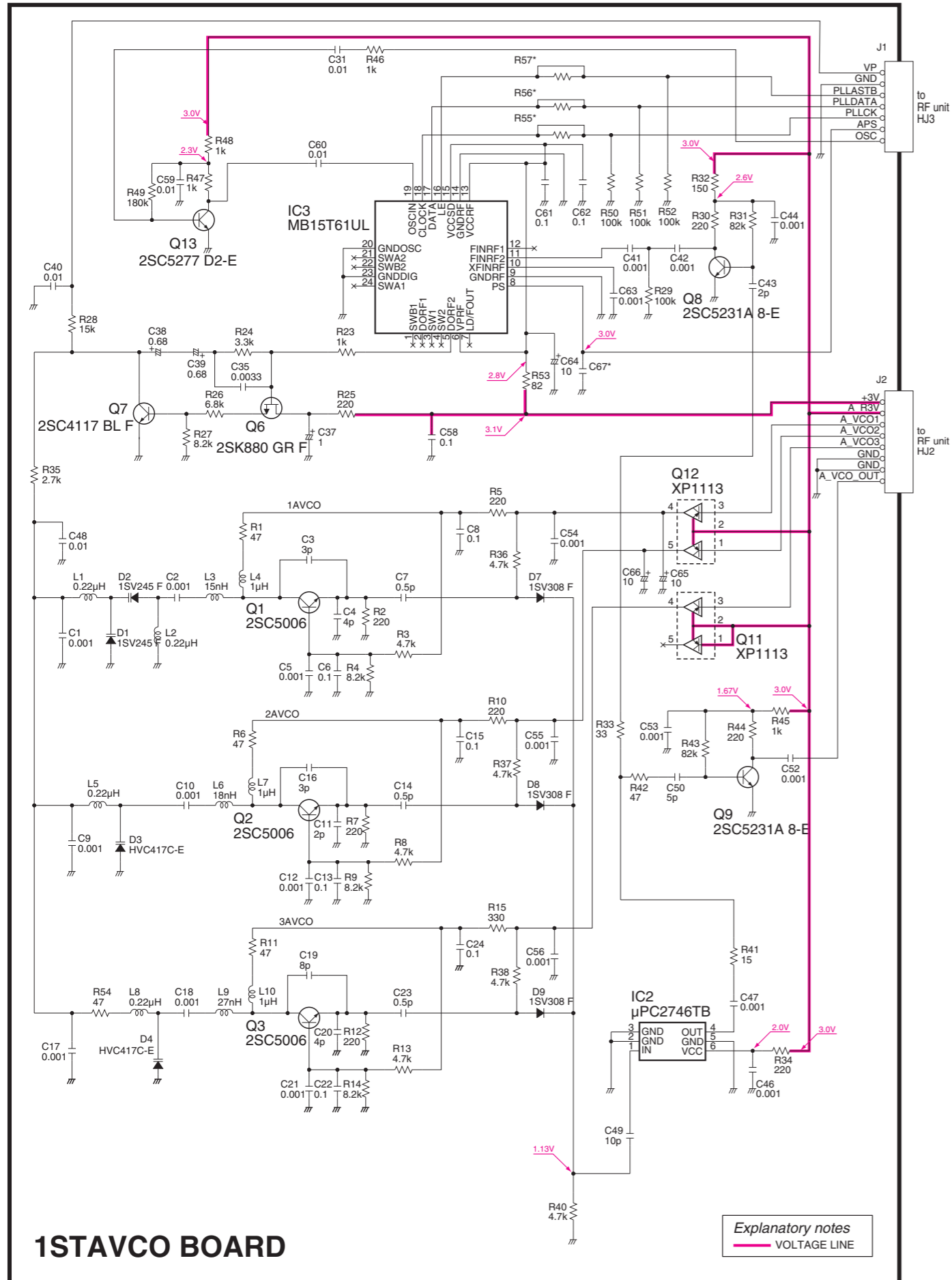
- VOLTAGE LINE
- RX LINE
- PLAYBACK LINE
- ↔ RECORDING LINE
- ↔ PLAYBACK LINE

*: Refer to the PARTS LIST for the value and name of component.

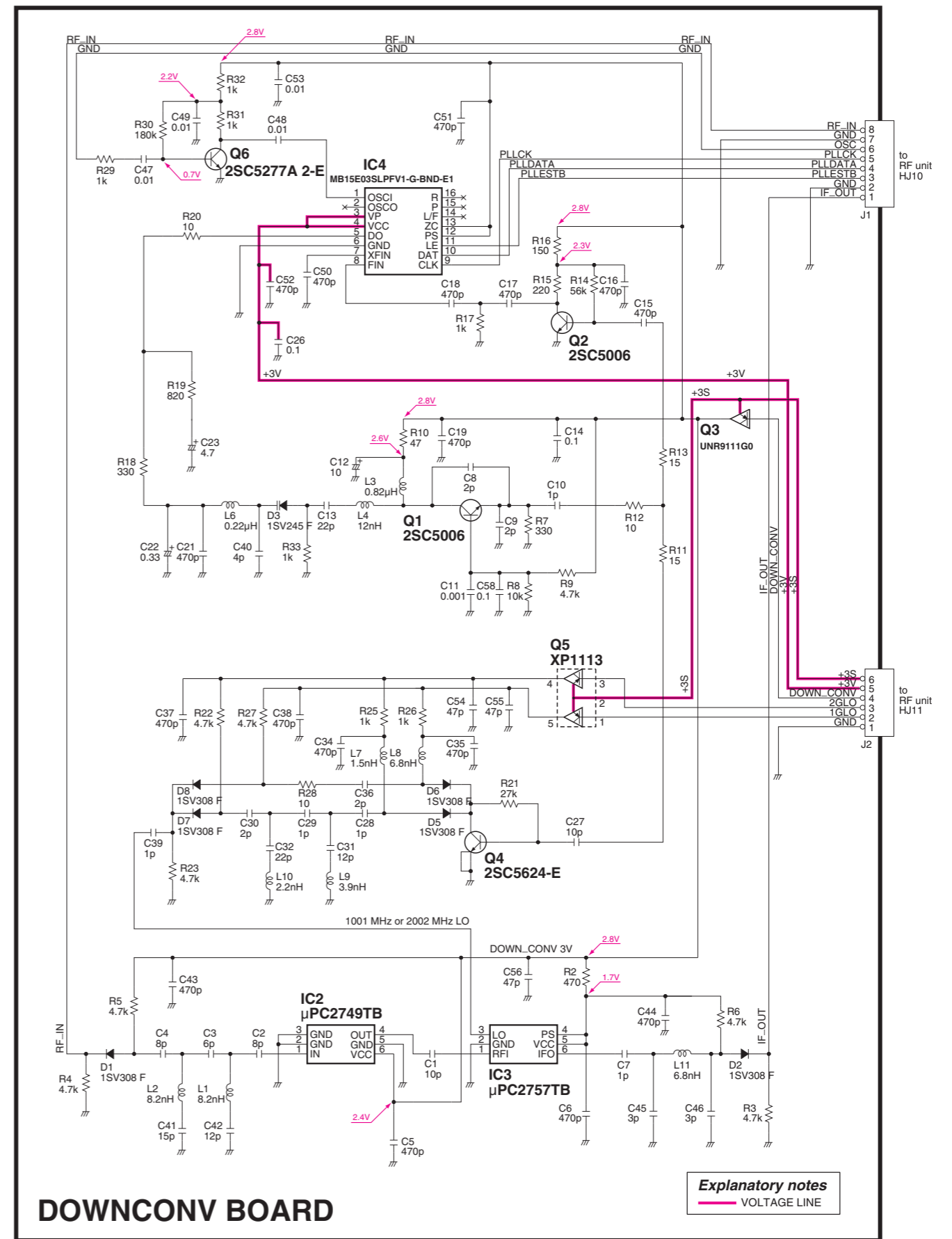
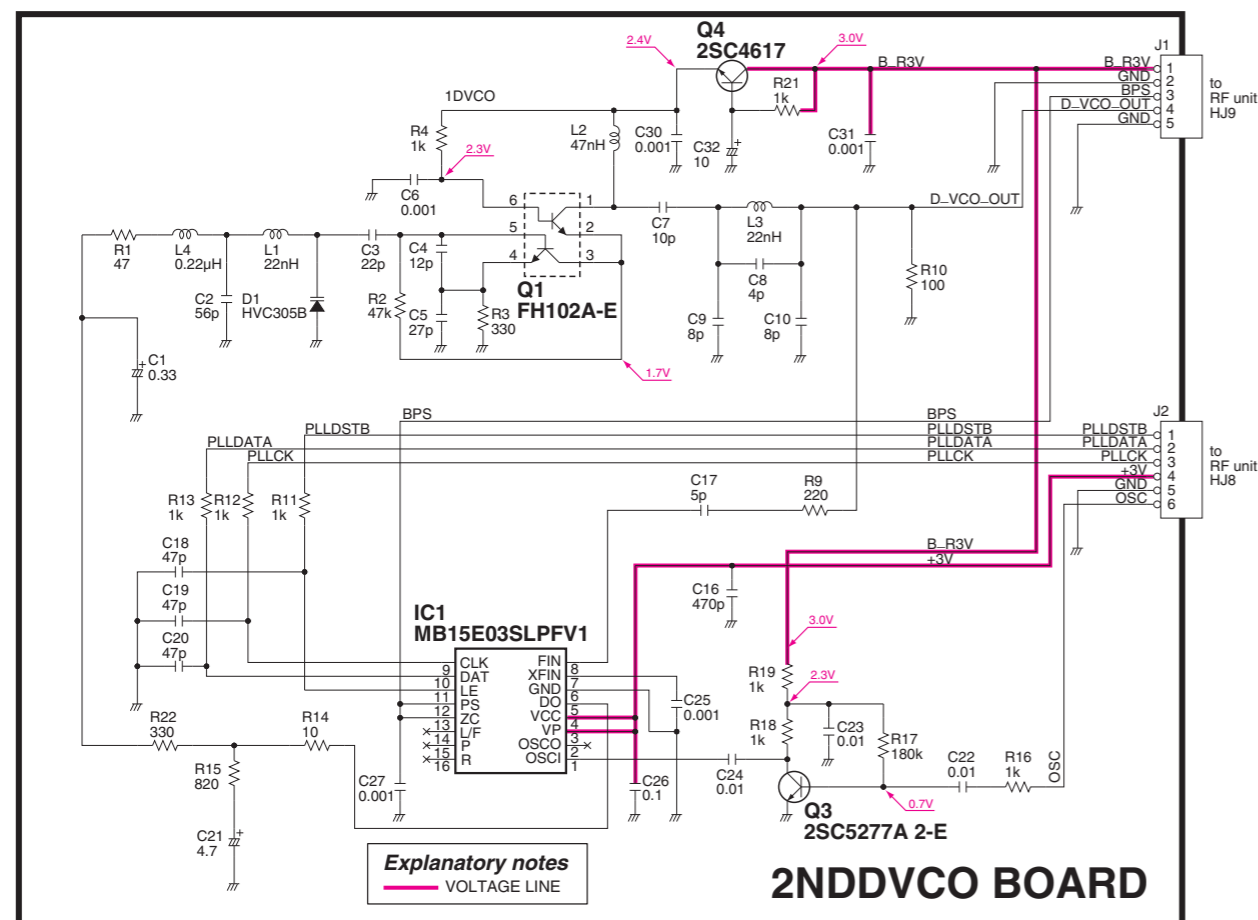
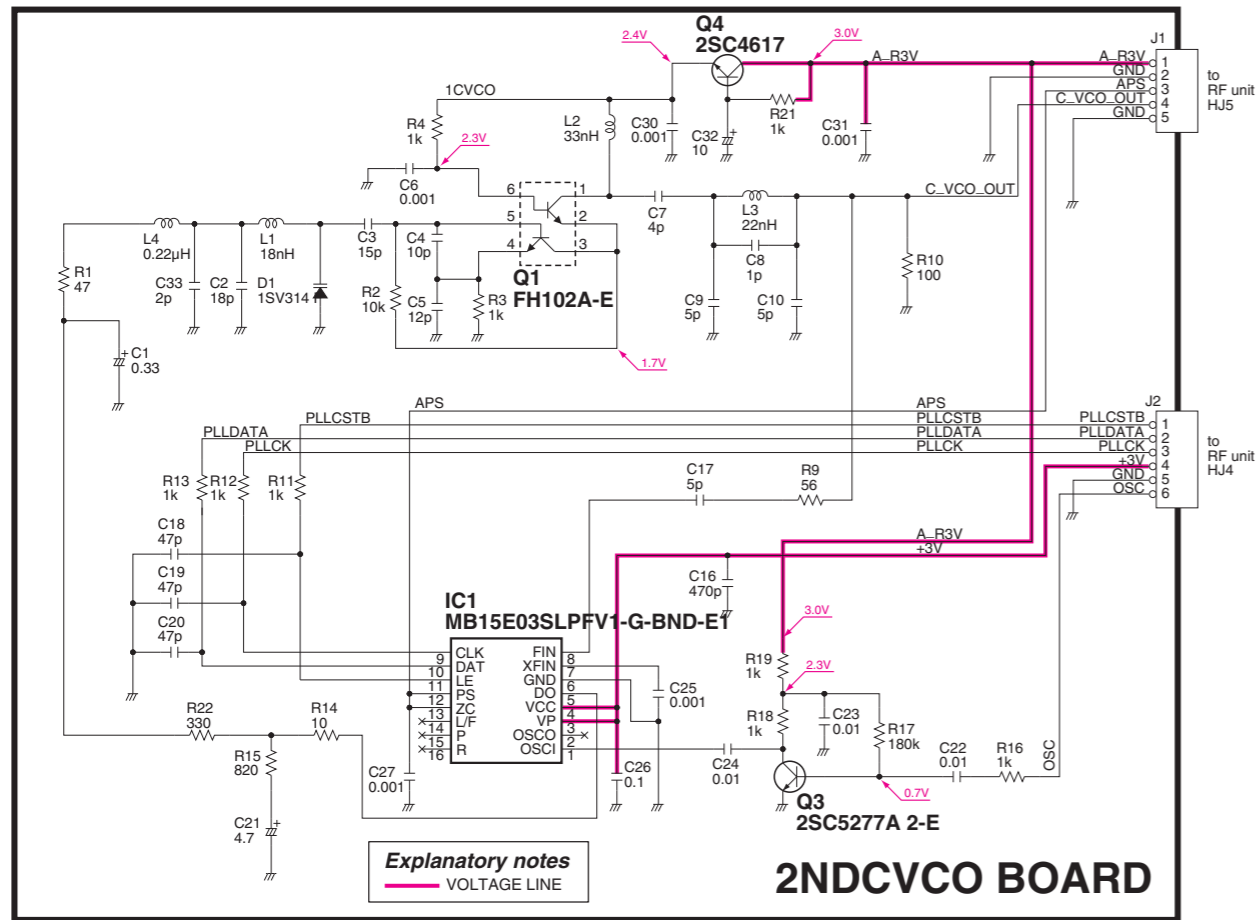
LOGIC UNIT

REC UNIT





*: Refer to the PARTS LIST for the value and name of component.



*: Refer to the PARTS LIST for the value and name of component.