

GETTING STARTED

Before using the program, make a backup copy of the original disk. Operate the program using the backup and keep the original in a safe place.

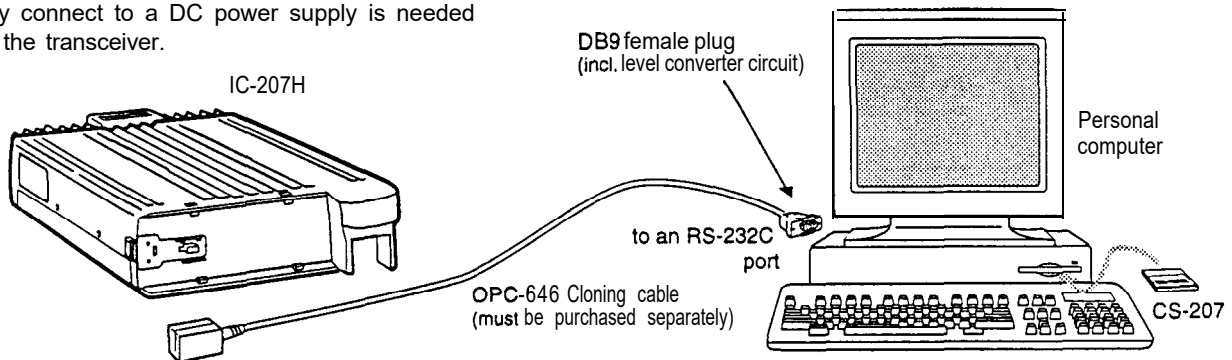
This cloning program is designed to perform data setting and cloning for the dual band transceiver IC-207H.

To use this program, the following hardware and software are required:

- IBM PC/AT or PS/2 compatible computer with an RS-232C serial port
- MS-DOS, PC-DOS or IBM DOS ver. 5.02 or higher
- OPC-646 CLONING CABLE

CONNECTIONS

All cloning operations are performed from computer's keyboard including power ON — only connect to a DC power supply is needed for the transceiver.



INSTALLATION AND PROGRAM START UP

Installation and initial setup'

Connect the transceiver and PC as above then connect a DC power supply to the the transceiver.

To install the CS-207 cloning software to ICOM\CS207 directory of drive C while the program disk is in drive A, type as follows at the DOS prompt:

```
A:\INSTALL A: C:\ICOM\CS207 [Enter]
```

└─ Program drive ─┘ └─ Target drive/directory ─┘

A target directory is created if it does not already exist; CS-207 cannot be installed to the root directory. After the installation is finished, the CS-207 initial setup screen appears and the transceiver model is checked. Proceed as follows:

- ① Select the connected RS-232C (COM1/COM2) port with the [↑]/[↓] and [Enter] keys.
- ② Input your call sign then push [Enter].
- ③ After the initial setup, CS-207 is automatically launched. Set or modify the data as desired.
 - See the back page for operation.
- ④ Use the File sub menu to save the data or to exit the program.

Starting the program

To start the program after installation, operate as follows at the DOS prompt:

- ① Change to the installed directory.
 - C:\ICOM\CS207 in case of the example at left.
- ② Type as follows to start:

```
CS207 [Enter] (at the installed directory)
```

Operating from a floppy disk

This program can be operated from a floppy disk.

- ① Insert the backup disk into the floppy disk drive.
- ② Select the floppy disk drive as the current drive.
- ③ Select the "CS207" directory.
- ④ Type "CS207," then push [Enter] to start.

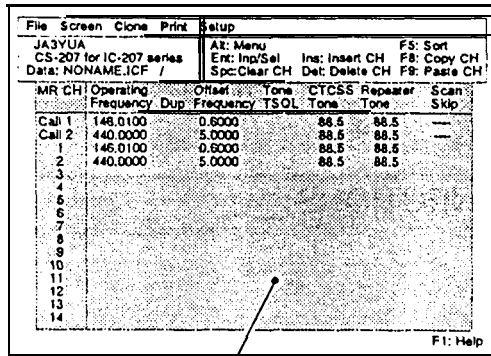
NEVER remove the program disk from the floppy disk drive while the program is running.
NEVER set the floppy disk as write-protected.
Cloning will take 20 sec. or more when operating from a floppy disk.

MENU FLOW

Push [Alt] or [Esc] to select the TOP menu.

- The TOP menu lightens,
- A screens and operations can be selected from the TOP menu.

Push [F1] to call up the help message.



To select a SUB menu, push the highlighted key; or select with the [→]/[←] keys then push [Enter] or [↓].

The screen darkens when the TOP menu is selected.

File	Screen	Clone	Print	SetUp
Load	Memory CH	Read (- TR)	Current	Display Type
Save	VFO	Write (-) TR	All	Wallpaper
Delete	DTMF Autodial	Information		RS-232C
Dos	Common			Call Sign
Preset				
EXit				

	SUB MENU	DESCRIPTION		SUB MENU	DESCRIPTION
File	Load	Loads data from a saved file.	Clone	Read (- TR)	Reads clone data from a connected transceiver.
	Save	Saves data to a desired file. File extension (.ICF) is added automatically.		Write (-) TR	Sends clone data to a connected transceiver.
	Delete	Deletes a file.		Information	Shows the connected transceiver model and clone comment.
	Dos	Allows you to use a DOS command. To return to the previous screen, type "EXIT" then push [Enter].	Print	Current	Prints out currently displayed screen data.
	Preset	Loads a preset file. Moves the cursor to the first memory channel for input in the V or U memory channel screen.		All	Prints out all set data.
	EXit	Quits and exits the program, then returns to the DOS prompt.		SetUp	Display Type
Screen	Memory CH	Sets the operating frequency, duplex setting, etc. for call, memory and scan edge channels.	Wallpaper		Selects the wallpaper. This can be previewed before selection,
	VFO	Sets the operating frequency, duplex setting, etc. for VFO.	RS- 232C		Selects one of the computer's RS-232C ports for cloning connection.
	D T M F Autodial	Sets the DTMF codes, DTMF transmission speed, etc.	Call Sign		Enters your call sign.
	C ommon	Sets commonly used data, such as set mode settings, initial set mode settings, cloning comments, etc.			