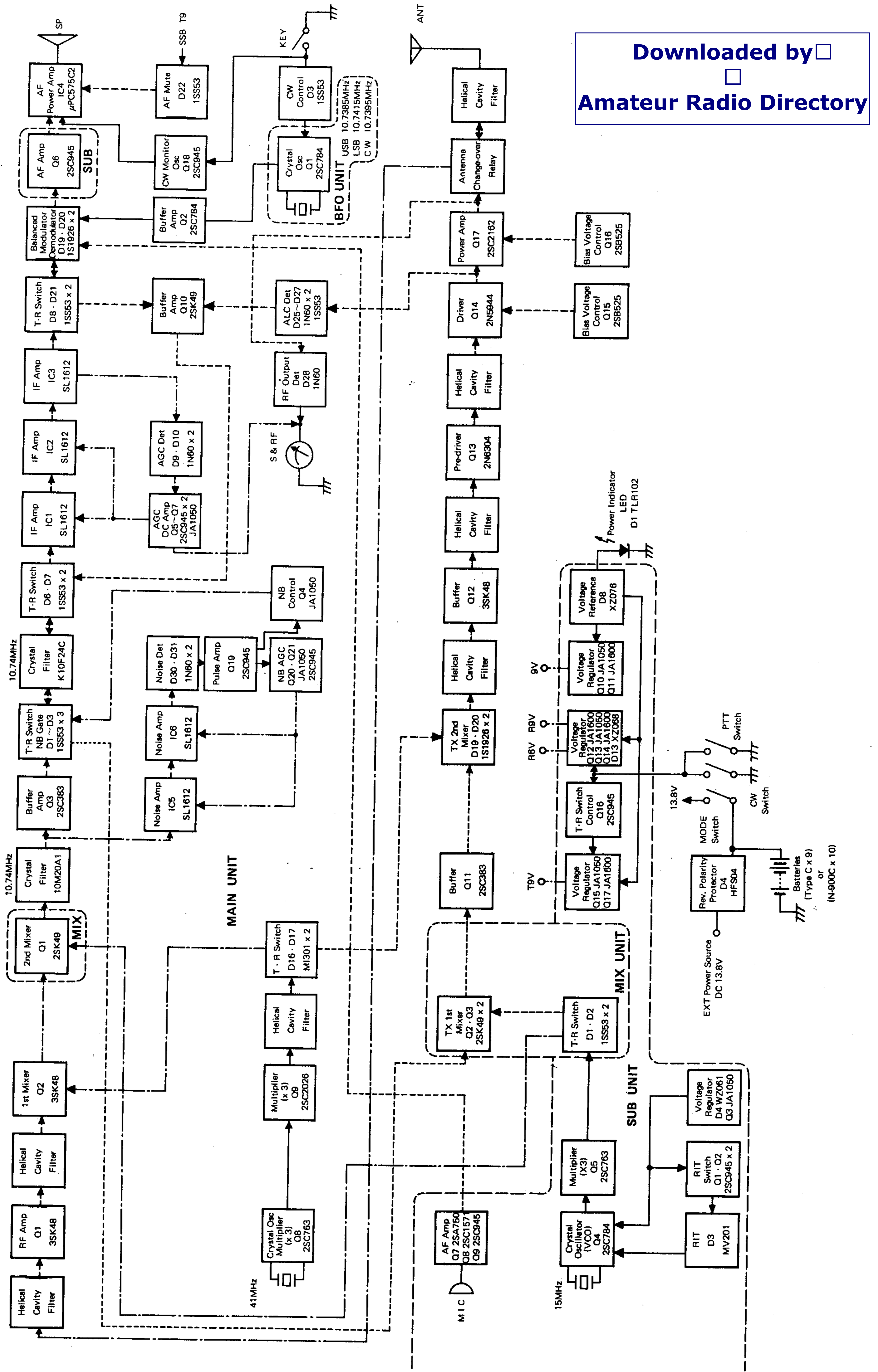


SECTION X BLOCK DIAGRAM



Downloaded by

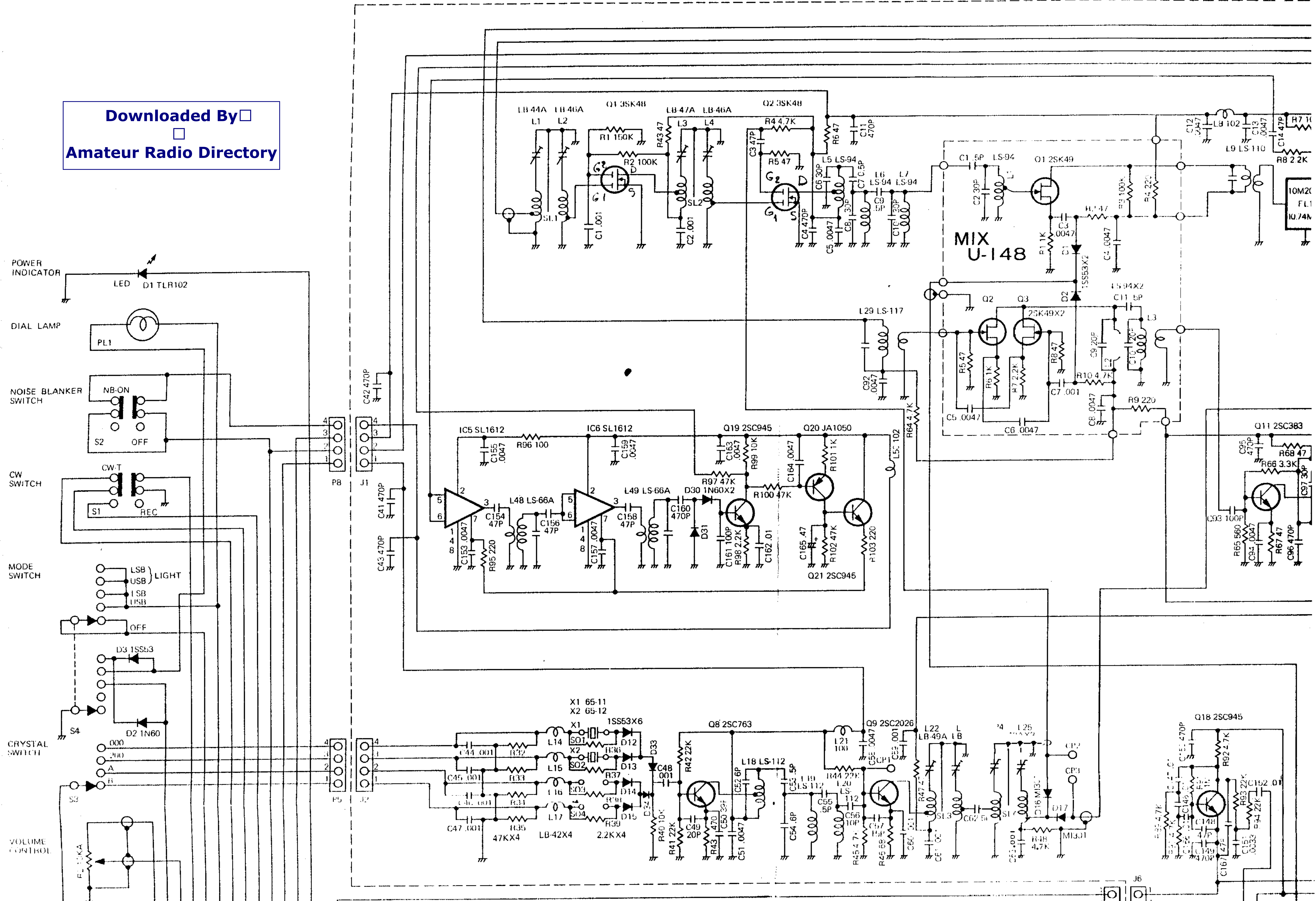
 Amateur Radio Directory

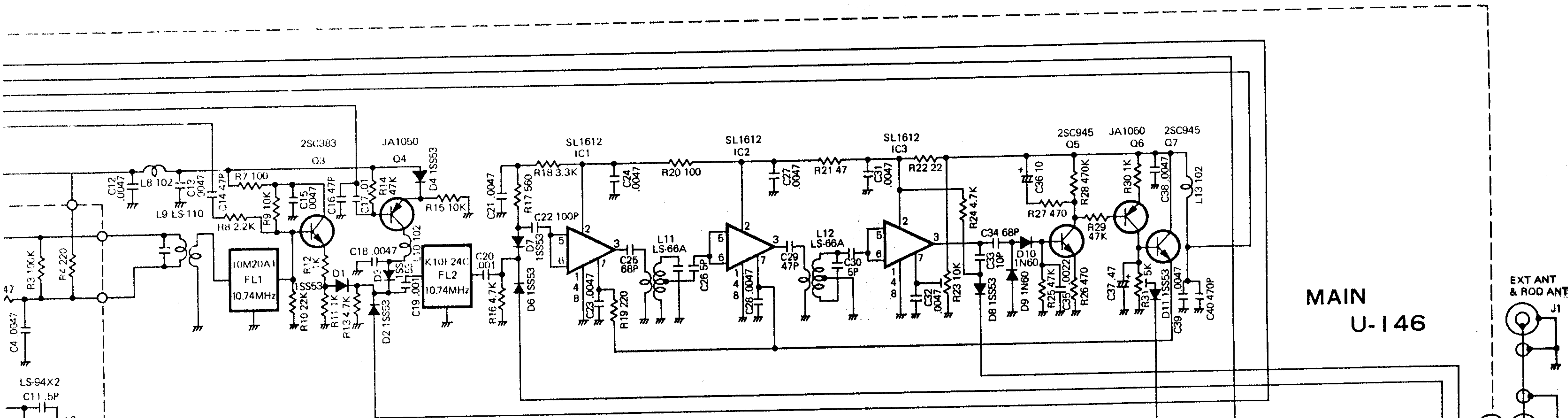
IC-402

SCHEMATIC DIAGRAM

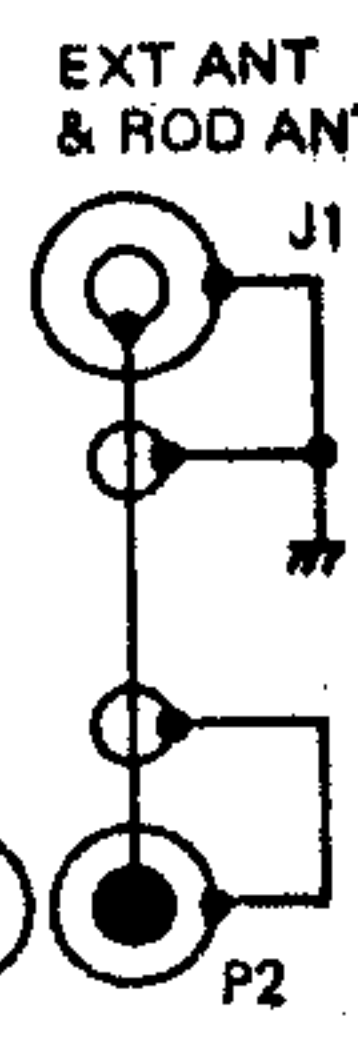
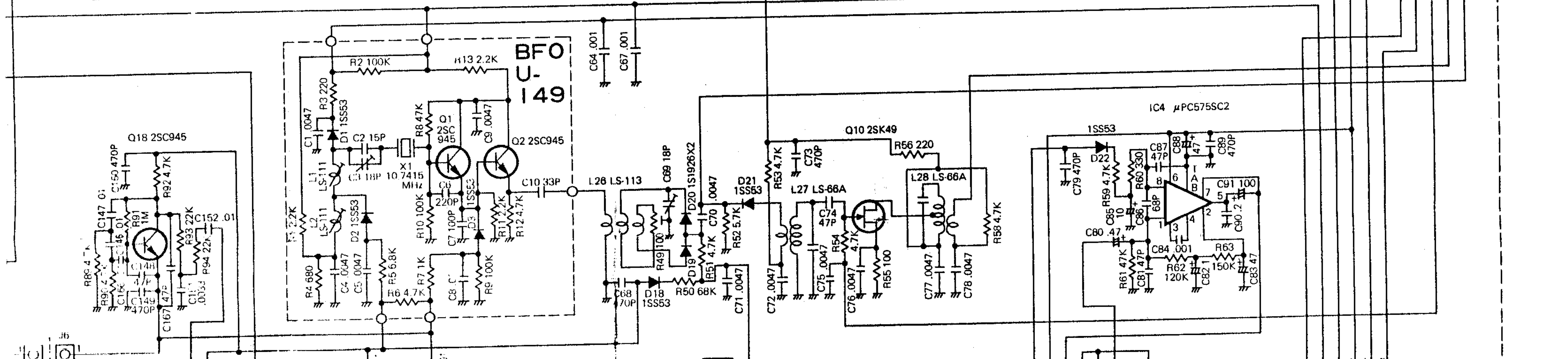
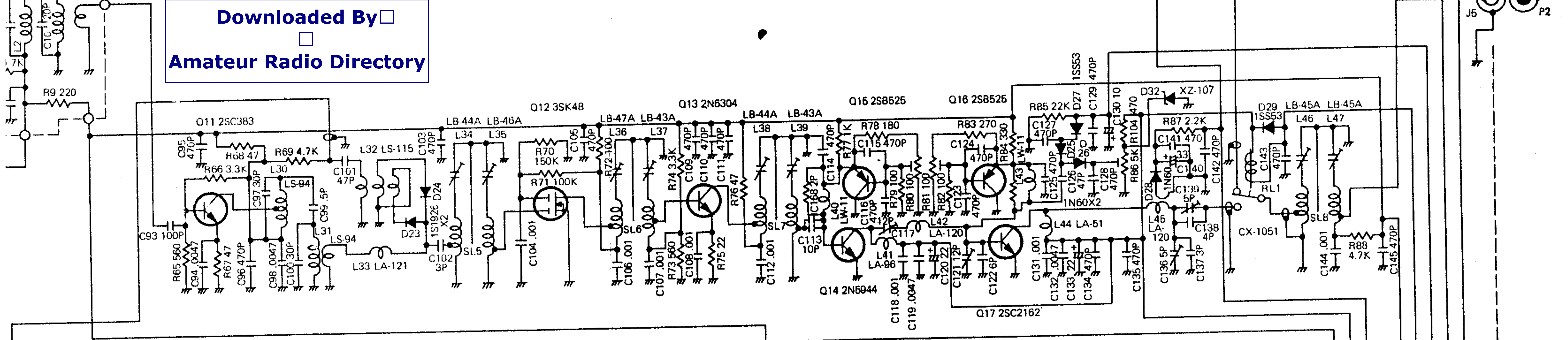
Downloaded By

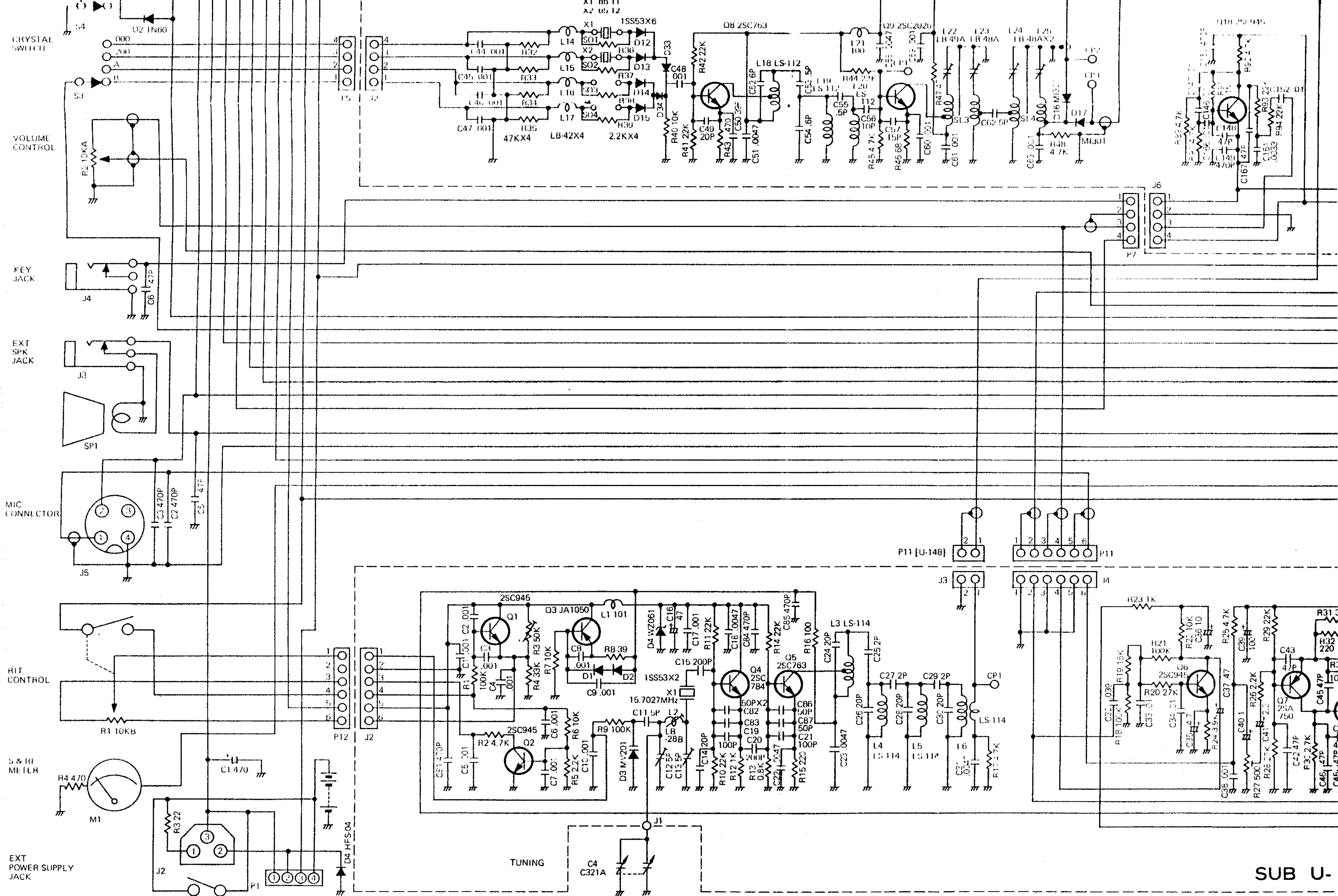
Amateur Radio Directory





Downloaded By
 Amateur Radio Directory



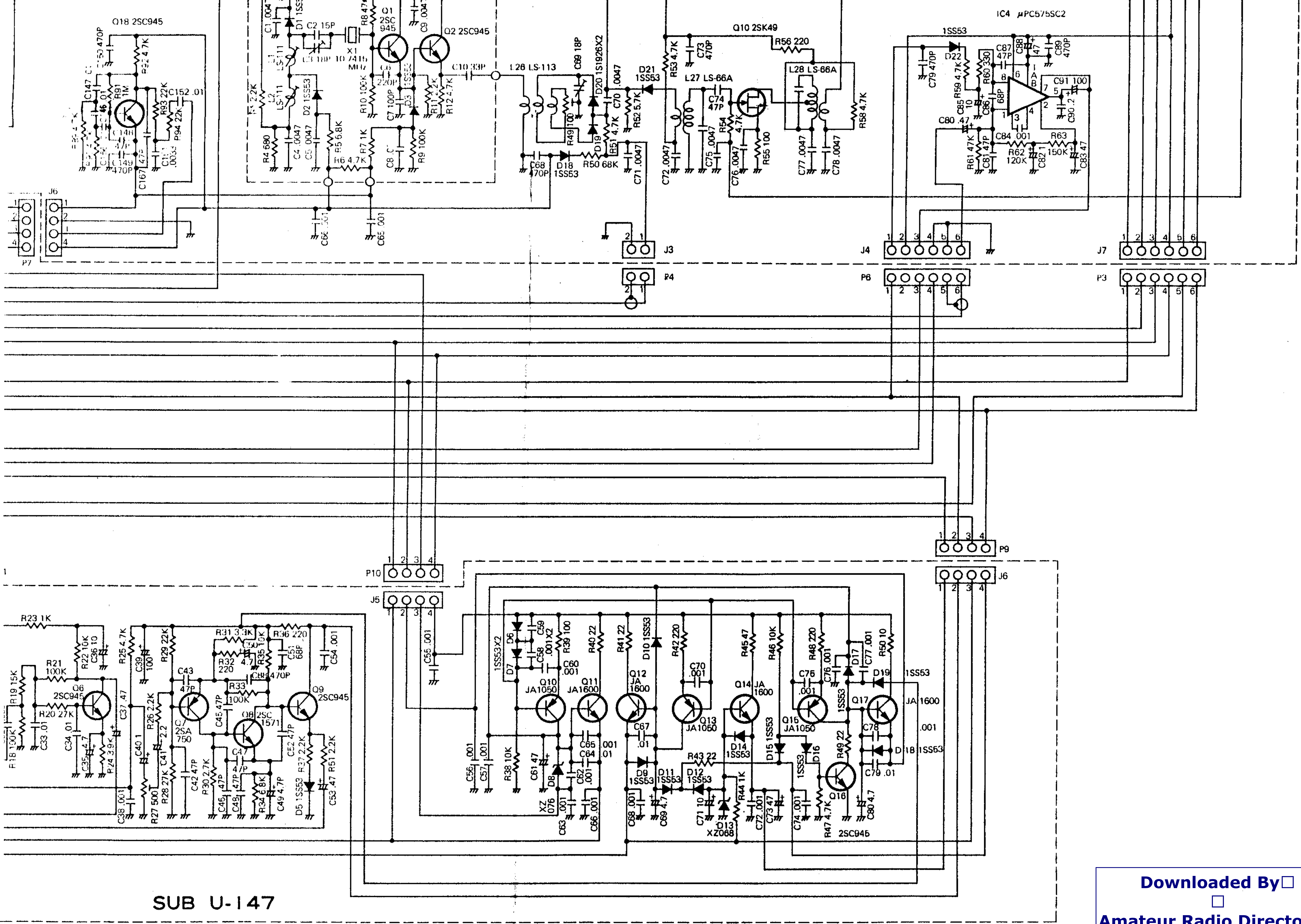


Downloaded By

 Amateur Radio Directory

SUB U-





SUB U-147

Downloaded By

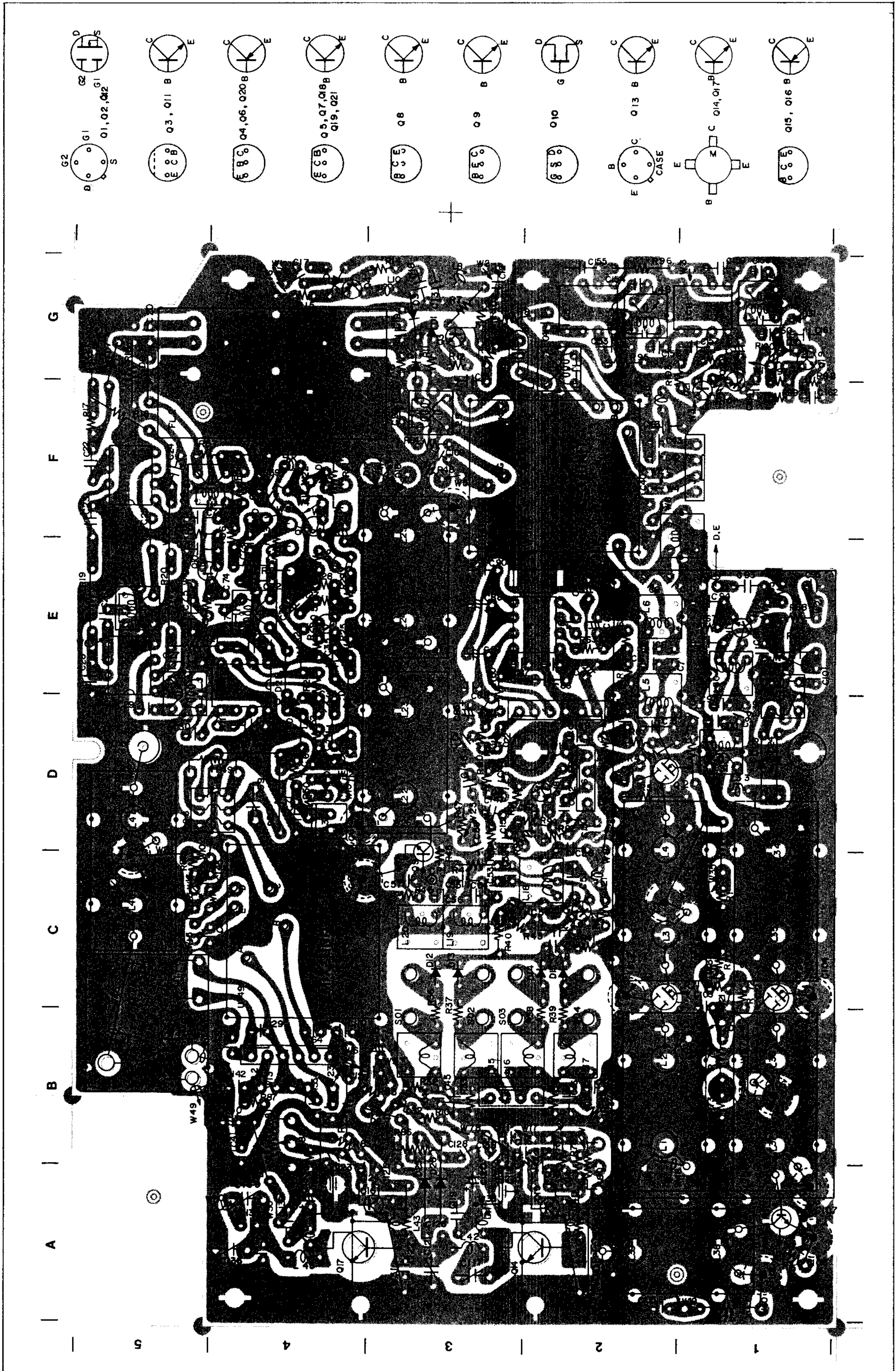
 Amateur Radio Directory



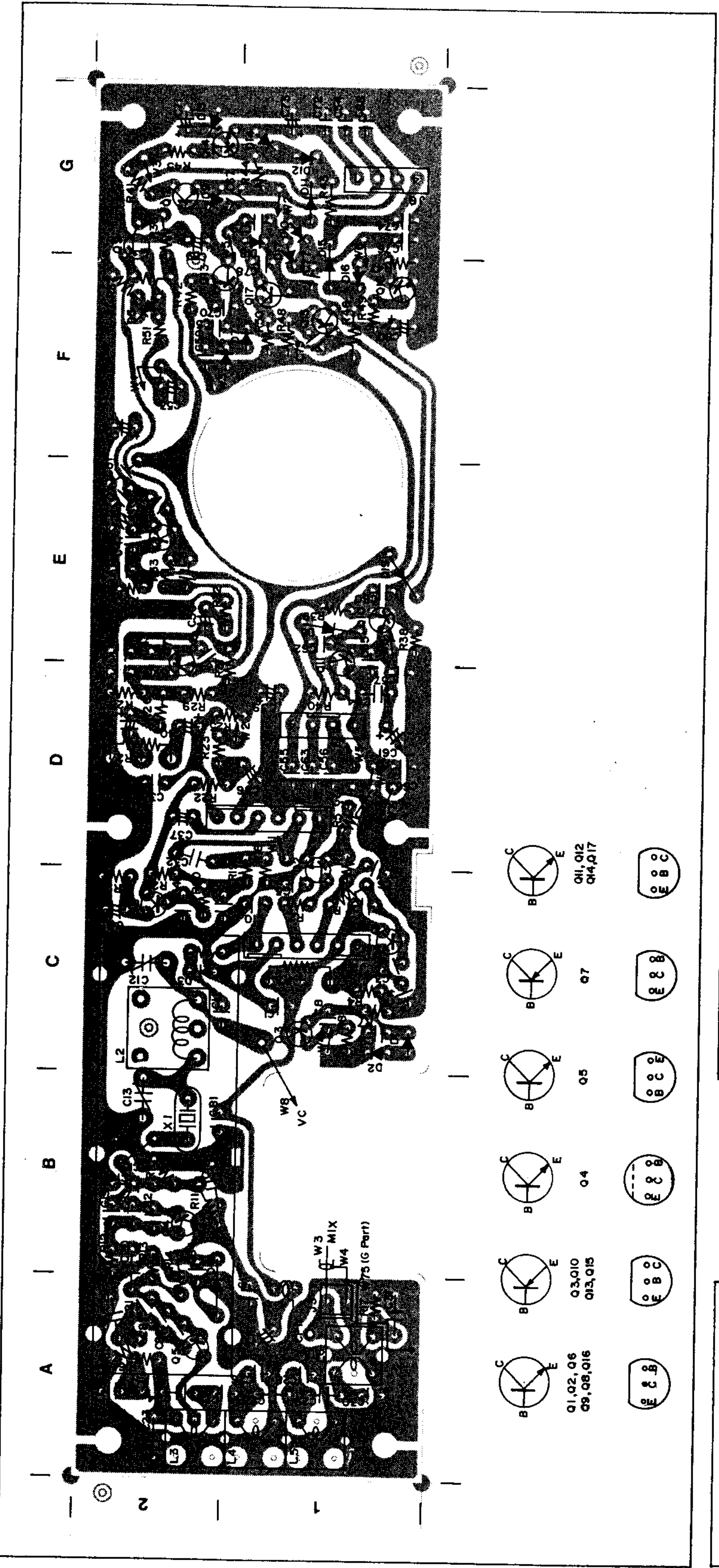
Some components subject to change for an improvement without notice.

SECTION XI BOARD LAYOUT

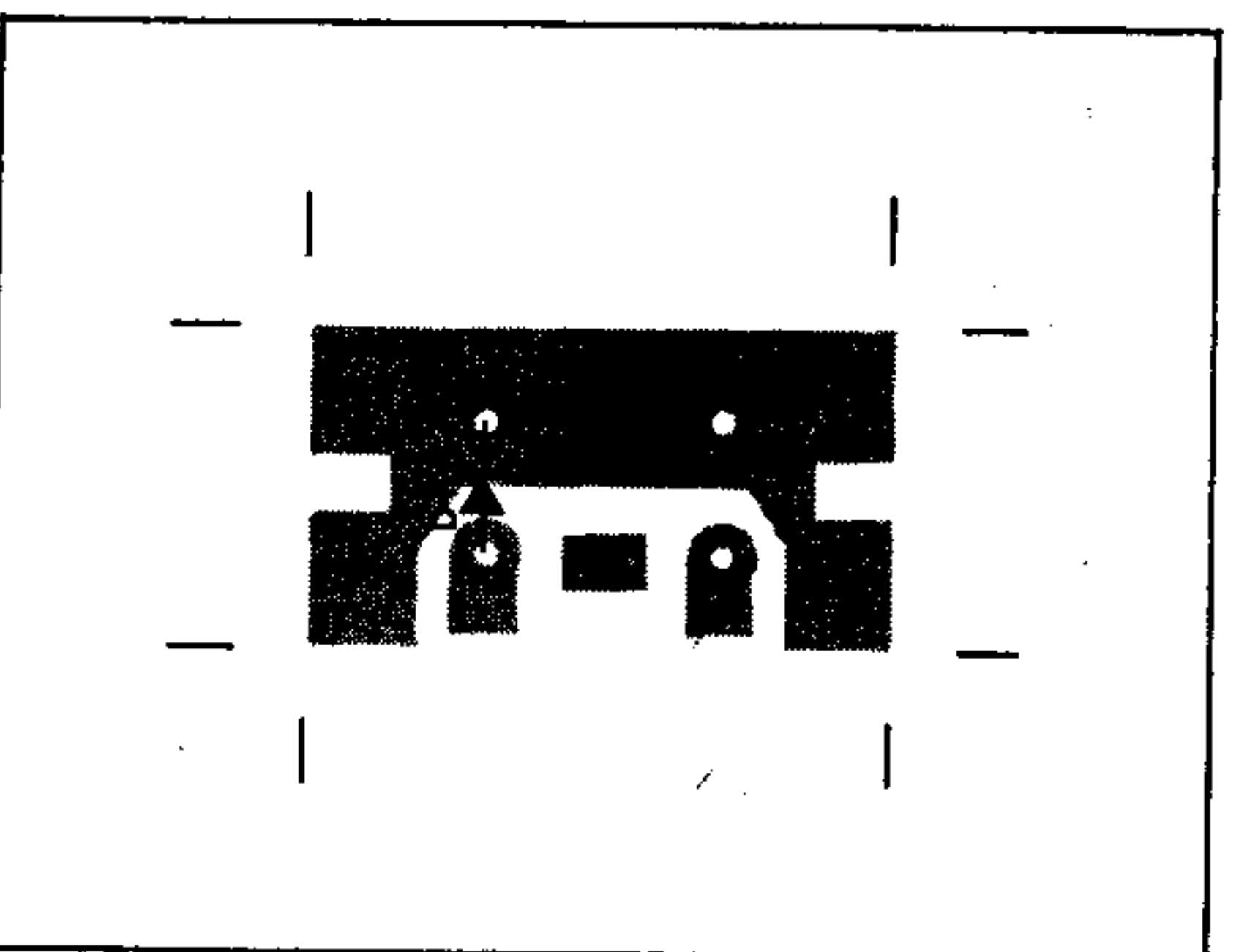
MAIN UNIT



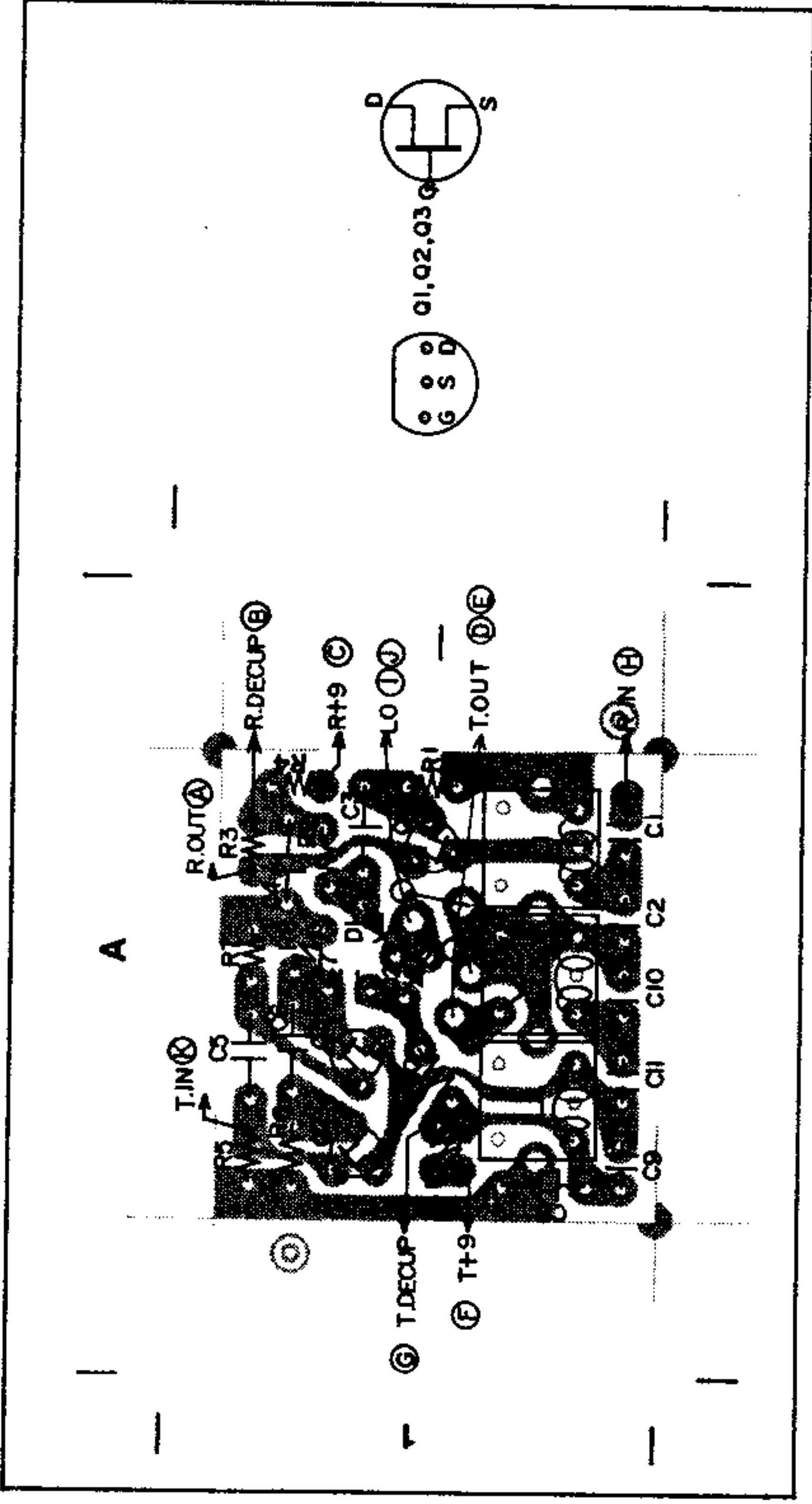
SUB UNIT



LED BOARD



MIX UNIT



BFO UNIT

