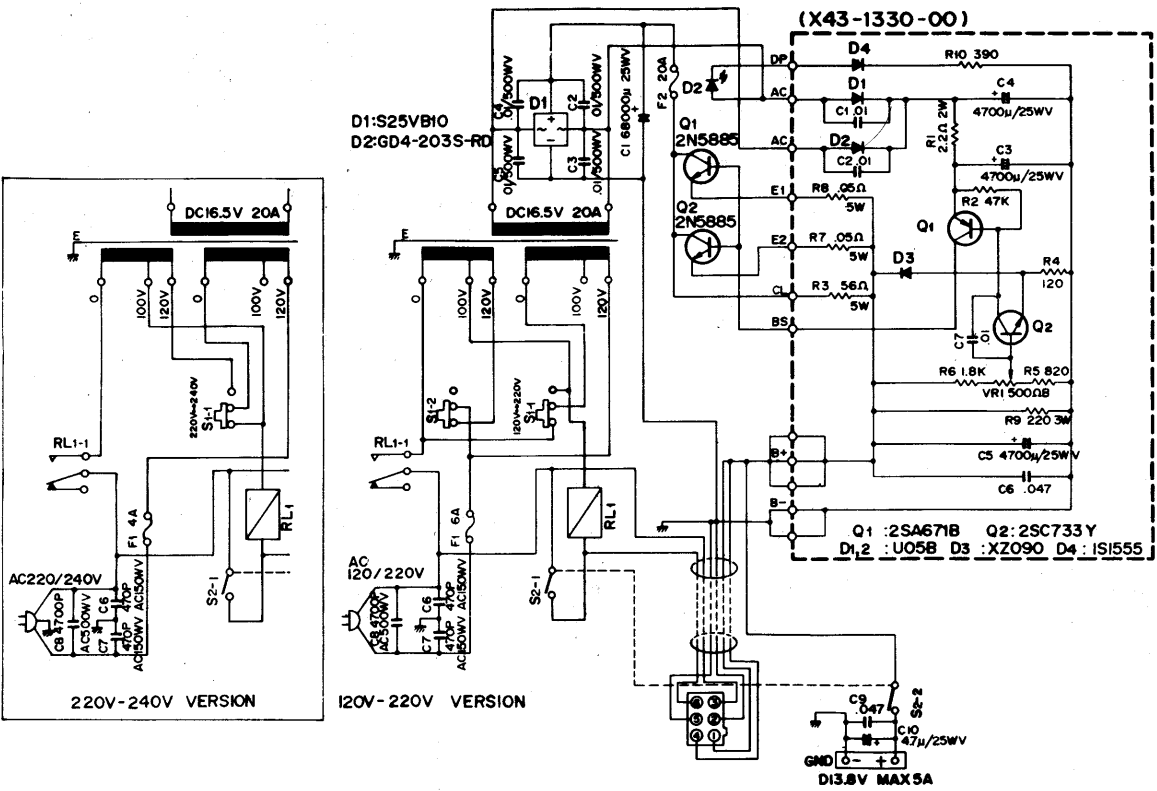


# SCHEMATIC DIAGRAM

\* Circuit design and ratings are subject to change for improvement without notice.



A product of  
**TRIO-KENWOOD CORPORATION**  
 6-17, 3-chome, Aobadai, Meguro-ku, Tokyo 153, Japan

**TRIO-KENWOOD COMMUNICATIONS, INC.**  
 1111 West Walnut Street, Compton, California, 90220 U.S.A.  
**TRIO-KENWOOD COMMUNICATIONS, GmbH**  
 D-6374 Seimbach, Industriestrasse 8A, West Germany  
**TRIO-KENWOOD(AUSTRALIA)PTY. LTD.**  
 30 Whiting Street, Artarmon, Sydney, N.S.W. Australia 2064

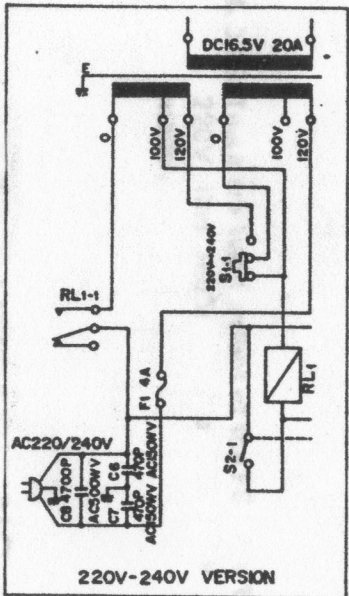
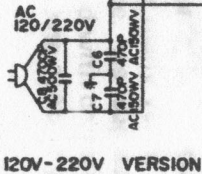
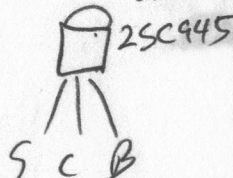
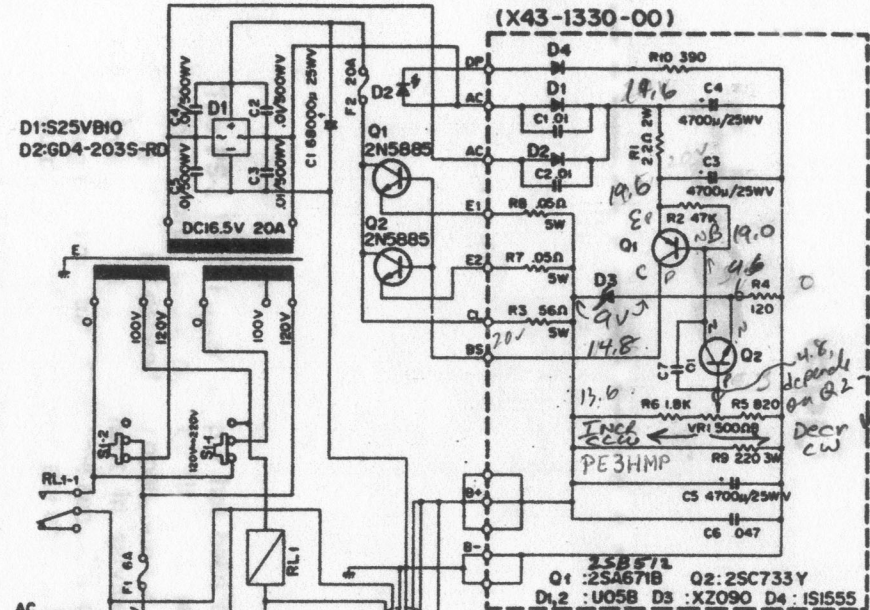
© 9505 PRINTED IN JAPAN B50-2652-10 (K.W)

(K.O)

# SCHEMATIC DIAGRAM

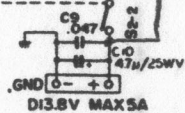
\* Circuit design and ratings are subject to change for improvement without notice.

2N5885 = 2N3771  
 hFE > 40



Q1 = 2SA671B ORIG  
 = 2SB512  
 = 2SA1012(Y)  
 = NTE-197  
 Q2 = 2SC733(Y) ORIG  
 = 2SC945

all meas w/ DAMP load  
 output set to 13.6V



PS-30

Model PS-30  
 Serial No. \_\_\_\_\_  
 Date of Purchase \_\_\_\_\_  
 Dealer \_\_\_\_\_

A product of

**TRIO-KENWOOD CORPORATION**

17-5, 2-chome, shibuya, shibuya-ku Tokyo 150, Japan

**TRIO-KENWOOD COMMUNICATIONS**  
 111 West Walnut Street, Compton California 90220 USA  
**TRIO-KENWOOD COMMUNICATIONS, GmbH**  
 D-6374 Steinbach TS, Industriestrasse 8A, West Germany  
**TRIO-KENWOOD ELECTRONICS, N.V.**  
 Leuvensesteenweg 504, B-1930 Zaventem, Belgium  
**TRIO-KENWOOD (AUSTRALIA) PTY. LTD.**  
 4E Woodcock Place, Lane Cove N.S.W. 2066, Australia