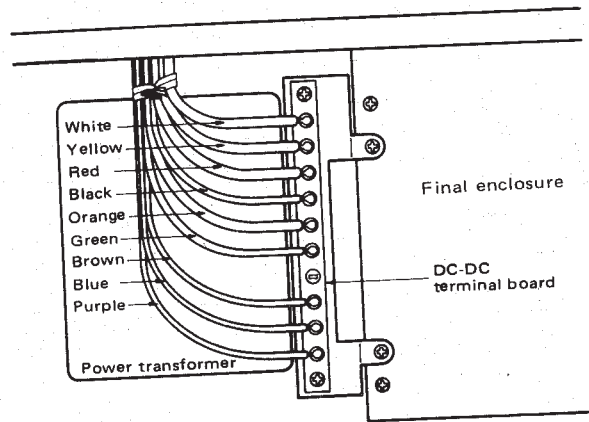
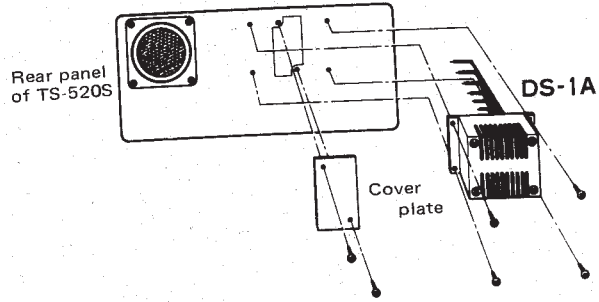
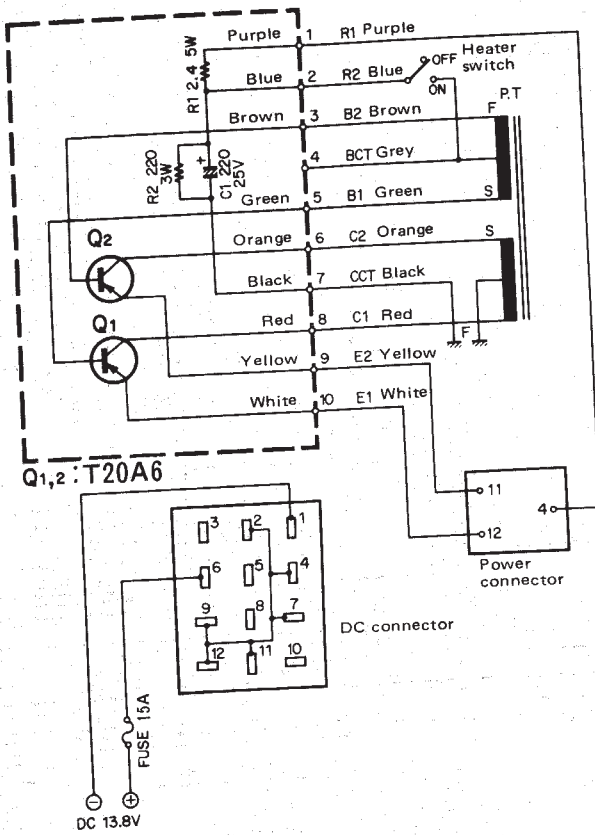


DS-1A

DC-DC CONVERTER (OPTION)



SPECIFICATIONS

- | | |
|----------------------------|---|
| 1. Semiconductors | T20A6 (2) |
| 2. Rated final stage input | More than 90W at CW (1.8~28 MHz), DC13.8V |
| 3. Power consumption | 15A (CW transmission)
0.6A (heater switch OFF in signal receive mode)
5A (heater switch ON in no-signal receive mode)
Note: At DC13.8V |
| 4. Power supply | DC12-16V (standard: 13.8V) |
| 5. Dimensions | 80 (W) x 39 (H) x 94 (D) mm |
| 6. Weight | 300g |

YG-88C/DS-1

YG-88C SPECIFICATIONS

CENTER FREQUENCY:

8830.7 kHz

PASS BAND WIDTH:

Better than ± 250 Hz (-6 dB)

ATTENUATION BAND WIDTH:

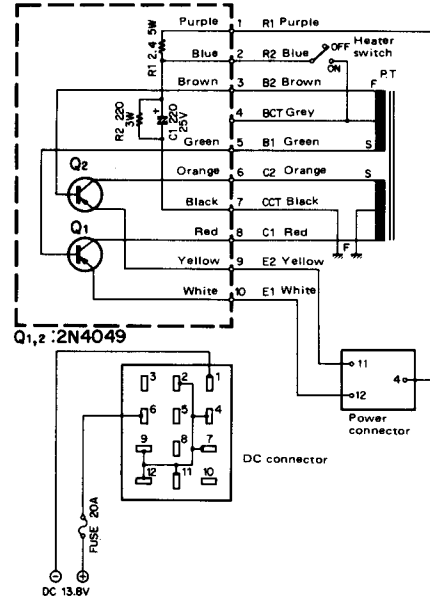
Less than ± 900 Hz (-60 dB)

GUARANTEED ATTENUATION:

Better than 80 dB

YG-88C

Ref. No.	Parts No.	Description	Re- marks
MISCELLANEOUS			
—	B42-0664-04	Label	
—	B50-1556-00	Operating manual	
—	L71-0024-05	Crystal filter	
—	H01-0585-05	Packing case	



DS-1 SPECIFICATIONS

SEMICONDUCTORS

2N4049 (2)

RATED FINAL STAGE INPUT *

More than 90W at CW (1.8 ~ 28 MHz), DC13.8V

POWER CONSUMPTION *

15A (CW transmission)

0.6A (heater switch OFF in signal receive mode)

5A (heater switch ON in no-signal receive mode)

Note: AT DC13.8V

POWER SUPPLY

DC12-16V (standard: 13.8V)

DIMENSIONS

80 (W) × 51 (H) × 94 (D) mm

WEIGHT

300g

*TS-820 is used.

DC-DC CONVERTER (X46-1000-00)

Ref. No.	Parts No.	Description	Re- marks
CAPACITOR			
C1	CE02W1E221	Electrolytic 220 μ F 25WV	
RESISTOR			
R1	R92-0121-05	Resistor (Cement) 2.4 Ω 5W	
R2	R92-0120-05	Resistor (Cement) 220 Ω 2W	
SEMICONDUCTOR			
Q1,2	V11-0292-05	Transistor 2N4049	
MISCELLANEOUS			
—	E20-0513-05	5P terminal × 2	
—	F01-0170-14	Heat sink (A)	
—	F01-0171-04	Heat sink (B)	
—	F11-0195-14	Cover (Heat radiating)	

DS-1

Ref. No.	Parts No.	Description	Re- marks
—	B50-1567-00	Operating manual	
—	E08-1207-05	12P Plug	
—	E33-0074-00	Wire kit	
—	F05-2032-05	Fuse 20A	
—	H01-1617-03	Case (Inside)	
—	H03-0544-04	Case (Outside)	
—	H10-1001-03	Cushion	
—	H25-0029-04	Polyethylene bag (Small)	
—	H25-0103-04	Protection bag	
—	H25-0105-04	Protection bag	
—	J13-0037-05	Fuse holder	
—	J41-0024-15	Cord bushing	
—	J61-0014-05	Free up bolt	
—	X46-1000-00	DC-DC converter	

