



SERVICE BULLETIN

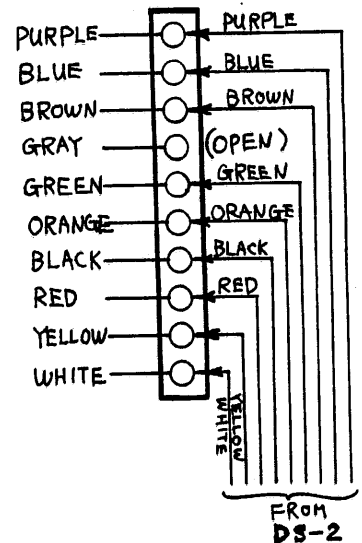
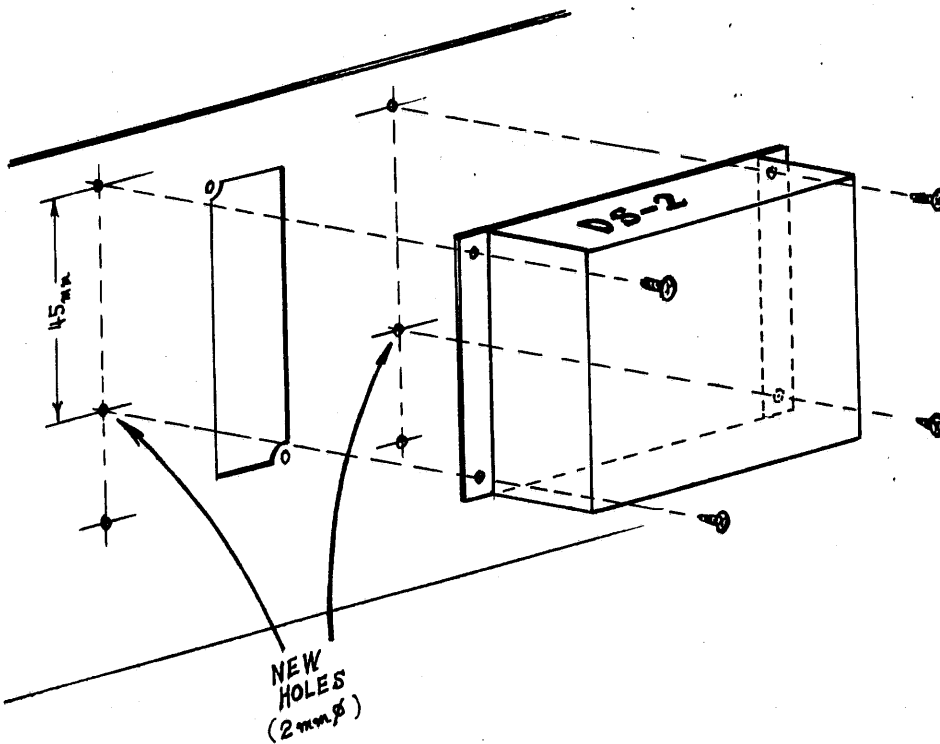
from: TRIO-KENWOOD COMMUNICATIONS, INC.

TS-520/S, TS-820/S #842

SUBJECT: DS-2 Replaces DS-1A DC-DC Converter

DATE 01/26/81

The DS-1A DC-DC converter for the TS-820 series and TS-520/S has been replaced by a new model, the DS-2. Wiring color code is the same. Physical size is smaller. Two additional mounting holes must be drilled in the transceiver rear panel.



JEB/jeb

TRIO-KENWOOD
COMMUNICATIONS, INC.

1111 WEST WALNUT STREET - COMPTON, CALIFORNIA 90220
MAILING: P.O. BOX 7065 - COMPTON, CALIFORNIA 90224

DS-2 (W type only)

SPECIFICATIONS

Semiconductor..... 2N4280 x 2
 Rated Final Stage Input
 Power at 13.8 VDC.
 SSB..... 130W PEP
 CW..... 100W
Power Consumption
 Receive:
 Heaters OFF..... 0.8A
 Heaters ON..... 4.5A
 Transmit..... 15A
Power Supply..... 12 – 16 VDC (standard: 13.8V)
Dimensions.....
 W 80 mm (3.15")
 H 37 mm (1.46")
 D 69 mm (2.72")
Weight..... 240g

PARTS LIST

Ref. No.	Parts No.	Description	Re- marks
	B50-2736-00	Operating manual	☆
C1	CE02W1E221	C 220μF 25V	
	E08-1207-05	12P plug	
	E20-0513-05	5P terminal	
	F05-1531-05	Fuse 15A	
	F29-0414-04	Insulating washer	
	H01-2694-03	Carton case (inside)	☆
	H10-2541-04	Cushion	☆
	H25-0029-04	Protective bag	
	H25-0103-04	Protective bag	
	H25-0120-04	Protective bag	
	J13-0029-05	Fuse holder	
	J41-0024-15	Cord bush	
R1	R92-0121-05	Cement resistor 2.4Ω 5W	
R2	R92-0120-05	Cement resistor 220Ω 2.5W	
Q1.2	V30-1161-06	TR 2N4280	

