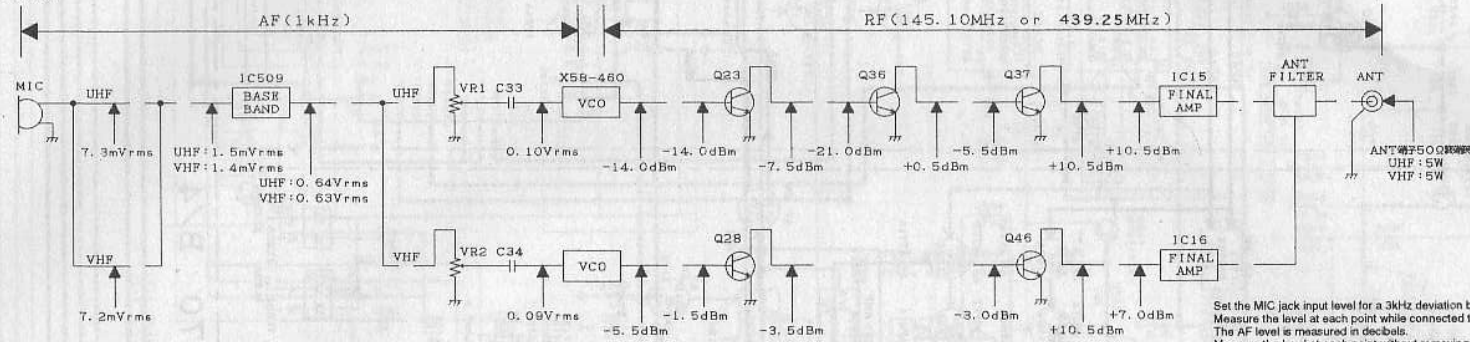


WIRING DIAGRAM

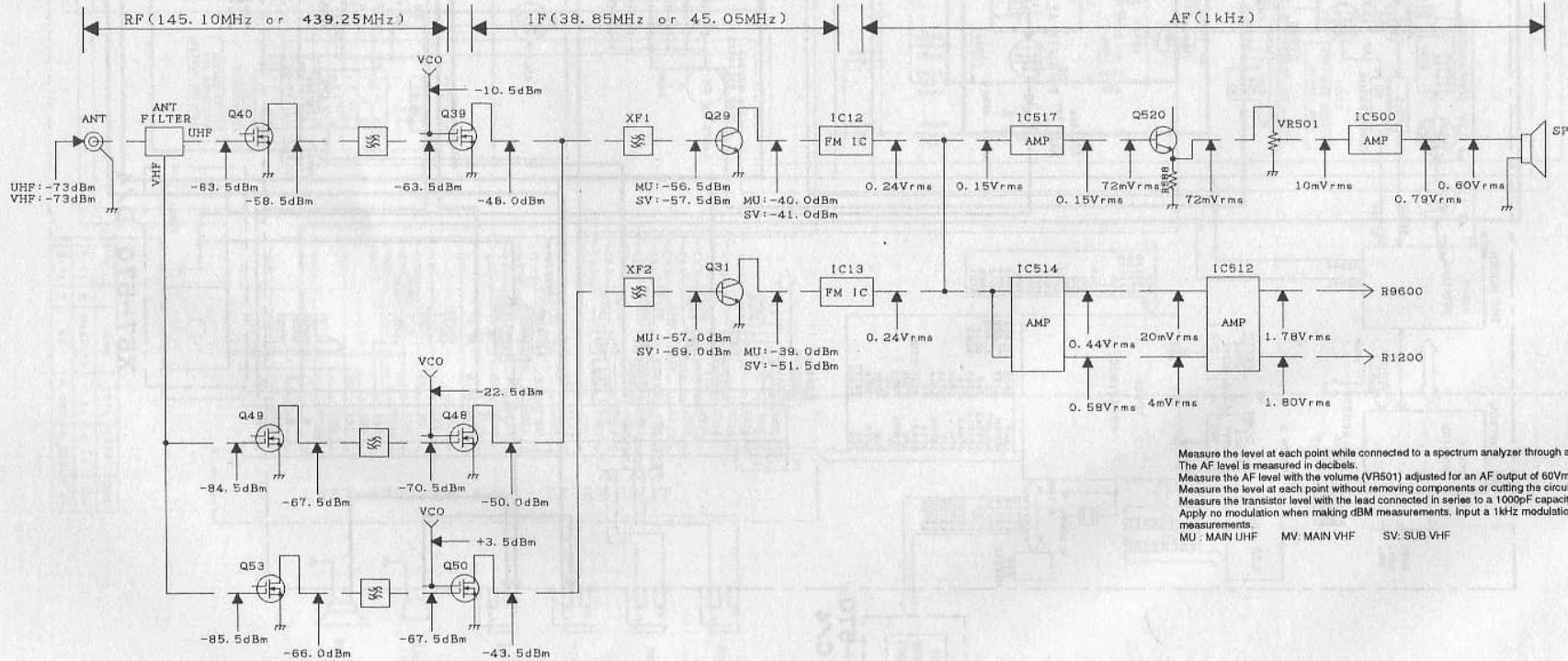
TH-D7A/E

TX Section



Set the MIC jack input level for a 3kHz deviation by using a modulation frequency of 1kHz.
 Measure the level at each point while connected to a spectrum analyzer through a 1000pF capacitor.
 The AF level is measured in decibels.
 Measure the level at each point without removing components or cutting the circuit board pattern.
 Measure the transistor level with the lead connected in series to a 1000pF capacitor.
 Apply no modulation when making dBm measurements. Input a 1kHz modulation frequency for Vrms measurements.

RX Section

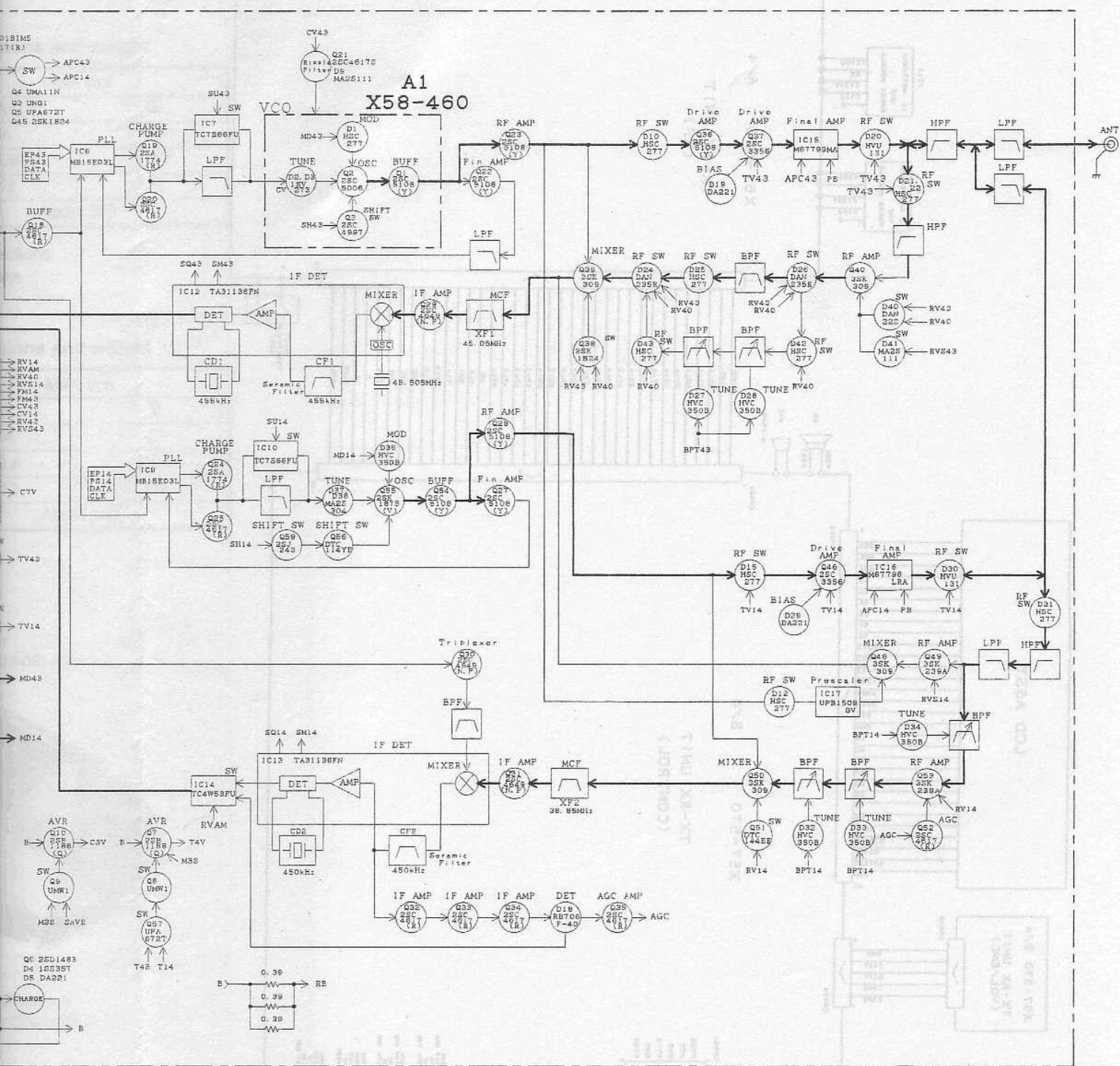


Measure the level at each point while connected to a spectrum analyzer through a 1000pF capacitor.
 The AF level is measured in decibels.
 Measure the AF level with the volume (VR501) adjusted for an AF output of 60Vrms.
 Measure the level at each point without removing components or cutting the circuit board pattern.
 Measure the transistor level with the lead connected in series to a 1000pF capacitor.
 Apply no modulation when making dBm measurements. Input a 1kHz modulation frequency for Vrms measurements.
 MU: MAIN UHF MV: MAIN VHF SV: SUB VHF

A/E TH-D7A/E

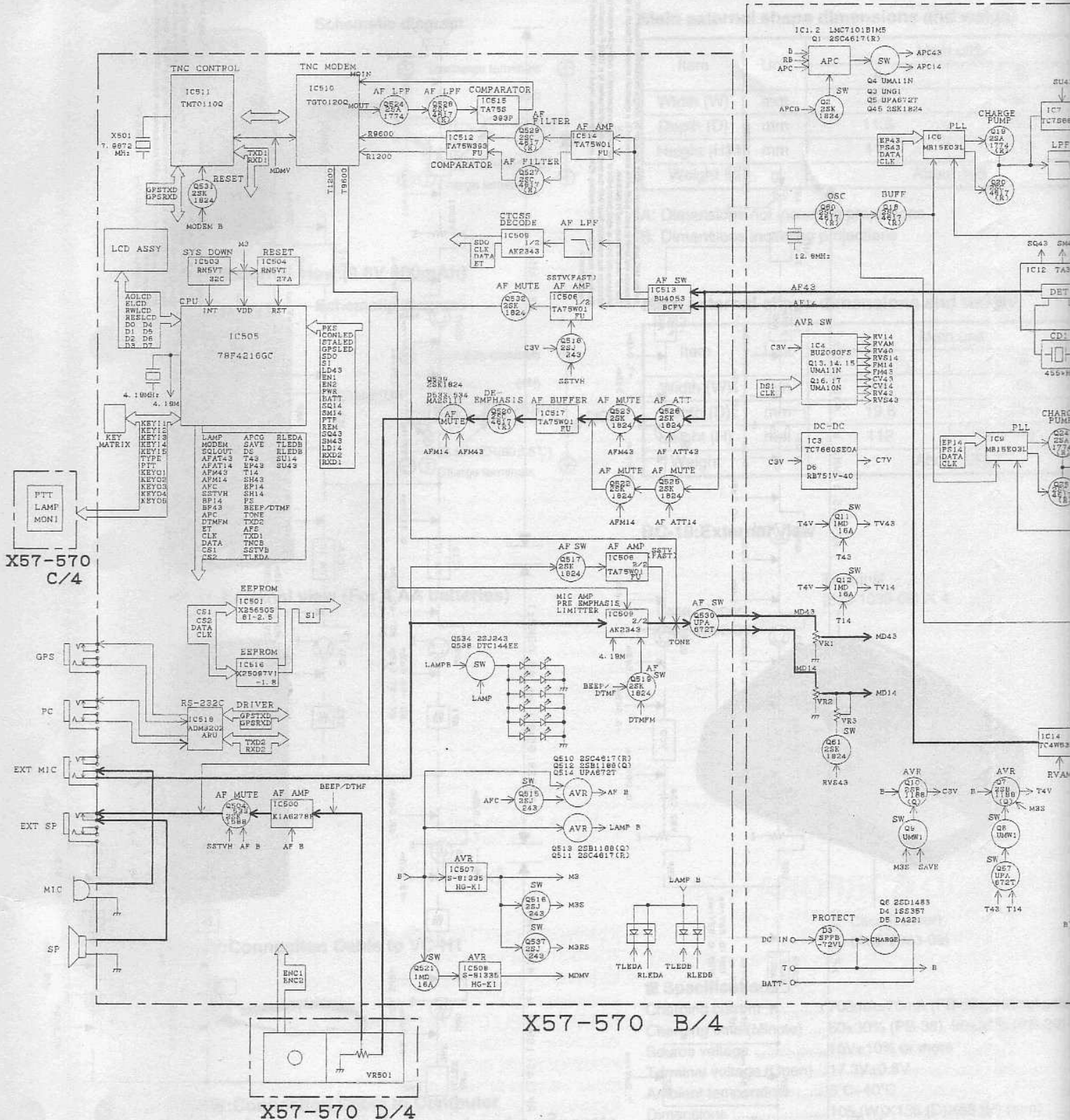
GRAM

MARDAID 3MIRIW

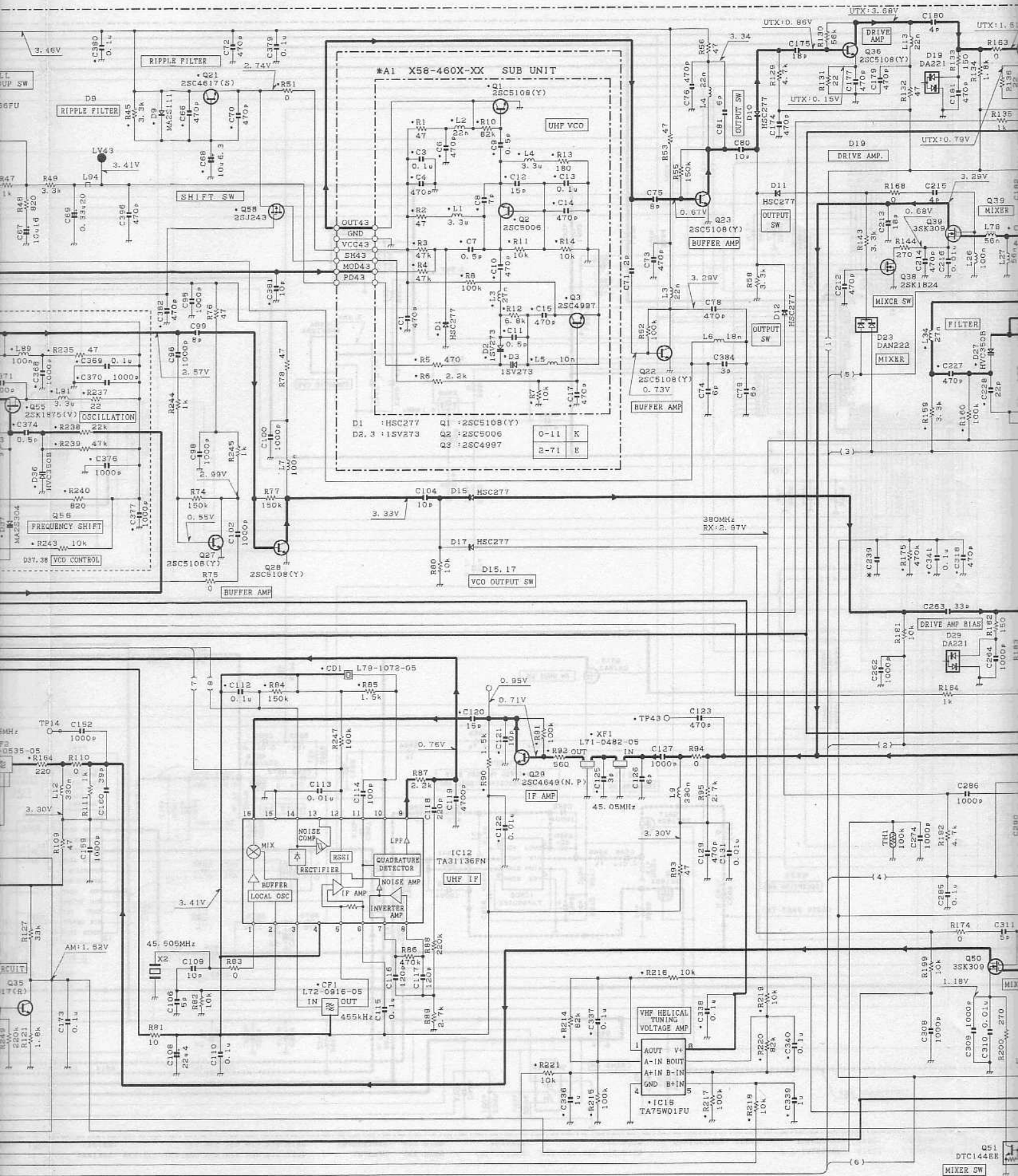


X57-570 A/4

TH-D7A/E TH BLOCK DIAGRAM



Note) ● Ref. No. : Parts of pattern 1.

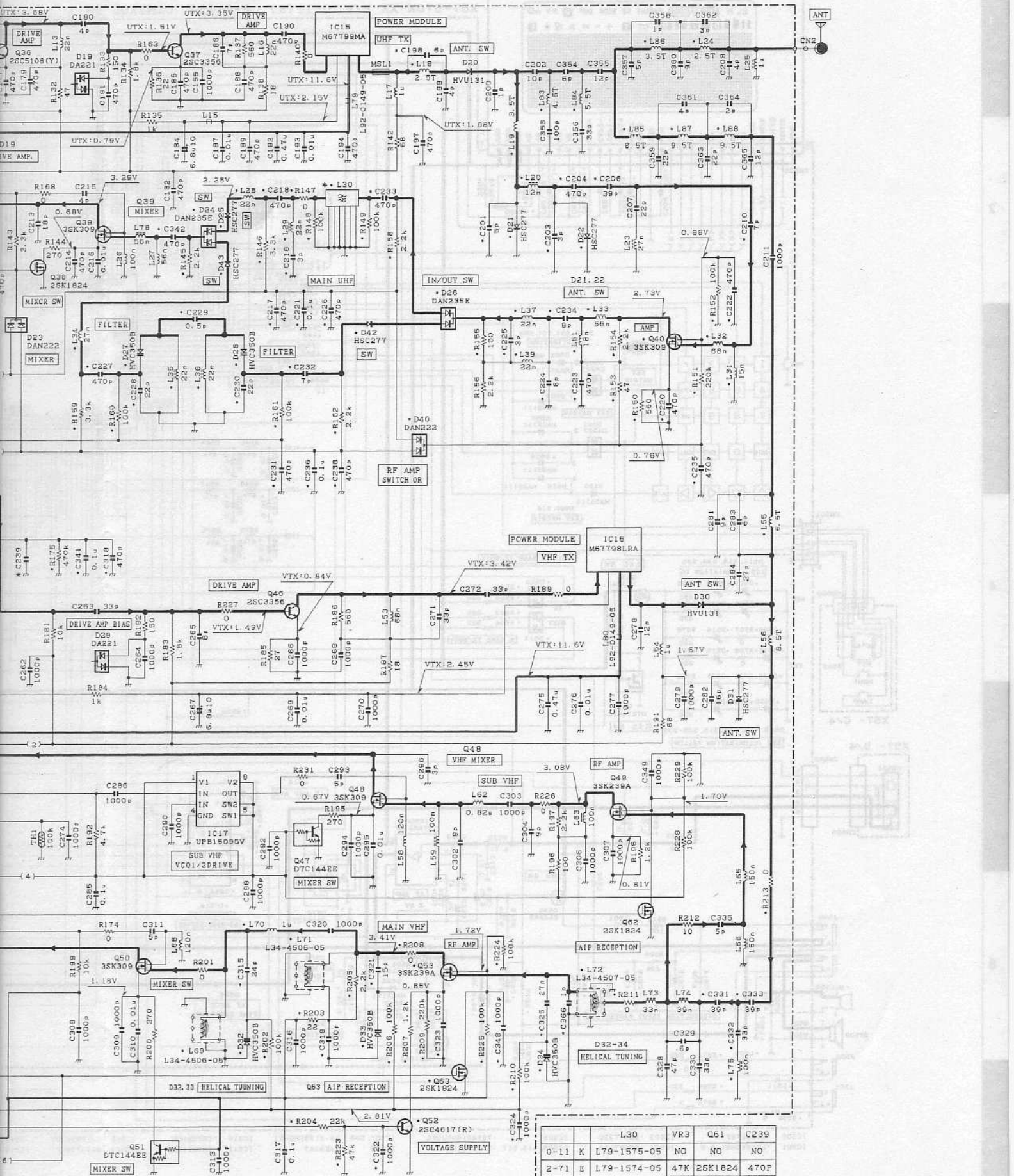


Q15.17 :UMA10N	Q21.26 :2SC4617(S)	Q29-31 :2SC4648(N.P)	Q39.40.48.50 :3SK309	Q49.53 :3SK239A	Q56 :DTC1144E	IC1.2
Q19.24 :2SA1774(R)	Q22.23.27.28.36.54 :2SC5108(Y)	Q37.46 :2SC3356	Q47.51 :DTC144EE	Q55 :2SK1875(V)	Q58.59 :2SJ243	IC3

SCHEMATIC DIAGRAM

TH-D7A/E

pattern 1.



	L30	VR3	Q61	C239
0-11	K L79-1575-05	NO	NO	NO
2-71	E L79-1574-05	47K	2SK1824	470P

- Q56 : DTC114YE IC1.2 : LMC7101BIM5 IC4 : BU2090PS IC7.10 : TCT366FU IC14 : TC4W53FU IC16 : M67797LRA IC18 : TA75W01FU
- Q56.59 : 2SJ243 IC3 : TC7660SE0A IC5.9 : MB15E03L IC12.13 : TA31136FN IC15 : M67799MA IC17 : UPB1509GV

A

B

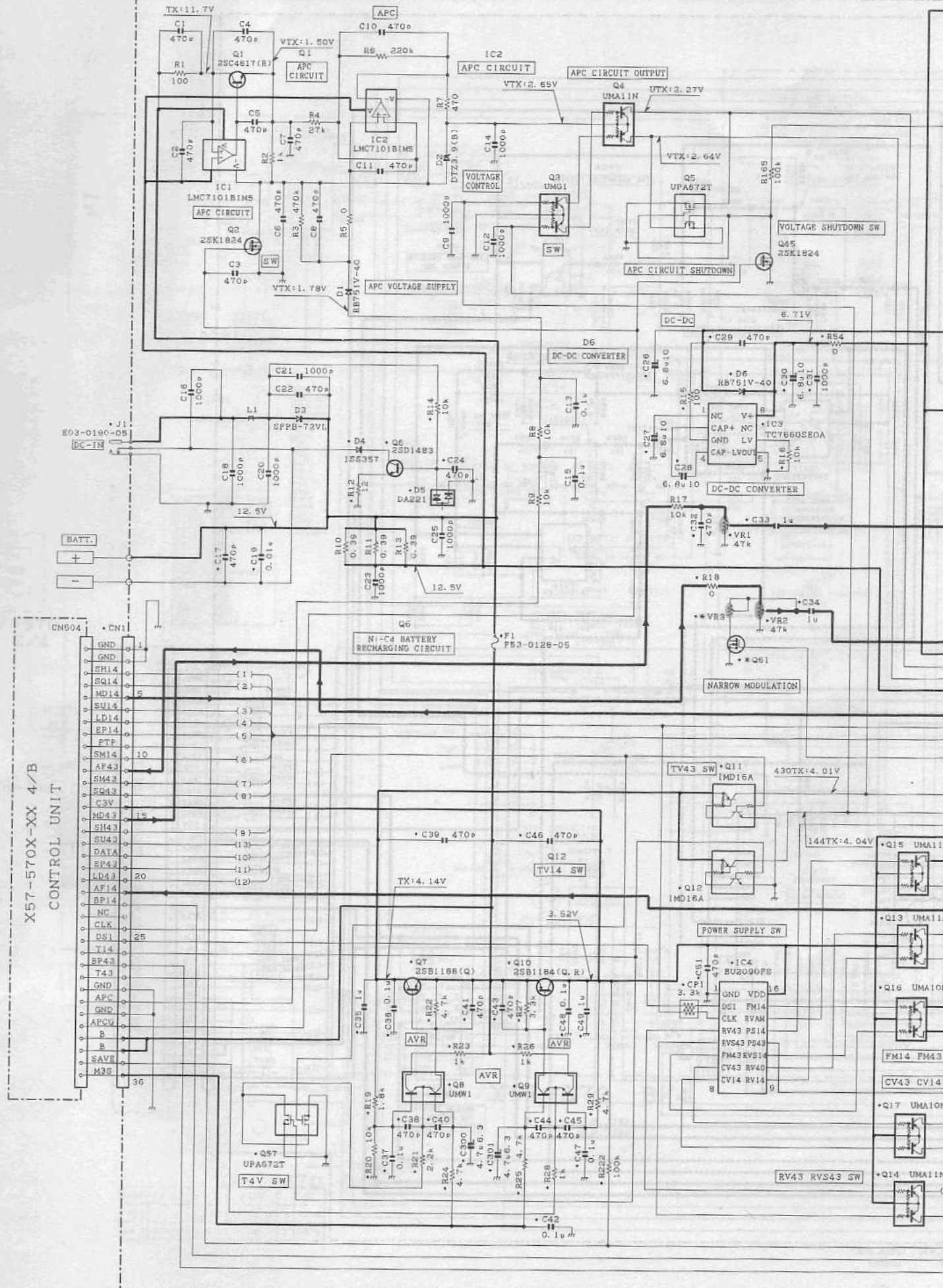
C

D

E

X57-570X-XX 4/A 0-11(K) 2-71(E) RF UNIT

BLOCK DIAGRAM



- D1. 6 : RB751V-40 D3 : SFPB-72VL D5. 8, 13, 19, 29 DA221 D9. 14 : MA25111 D20. 30 : HVU131 D24, 26 DAN235E
- D2 : DT23.9(B) D4 : ISS357 D10-12, 15, 17, 21, 22, 25, 31, 42-44 HSC277 D18 : RB706F-40 D23, 40 : DAN222 D27, 28, 32-34, 36 HVC350B

