

144/220MHz FM DUAL BANDER

TM-621A

SERVICE MANUAL

KENWOOD

R & L ELECT
\$17.00

©1988-5 PRINTED IN JAPAN
B51-3555-00(T) 966



*Refer to parts list on page 26.

CONTENTS

CIRCUIT DESCRIPTION	2	CONTROL UNIT (X53-3130-12)	61
DESCRIPTION OF ELEMENTS	17	144 MHz TX-RX UNIT (X57-3230-11)	63
PARTS LIST	26	220 MHz TX-RX UNIT (X57-3280-10)	65
EXPLODED VIEW	46	FINAL UNIT (220 MHz) (X45-3300-10)	67
PACKING	48	FINAL UNIT (144 MHz) (X45-3300-10)	68
ADJUSTMENT	49	SCHMATIC DIAGRAM	69
TERMINAL FUNCTIONS	56	LEVEL DIAGRAM	73
PC BOARD VIEW/SCHMATIC DIAGRAM		BLOCK DIAGRAM	75
144 MHz VCO UNIT (X58-3340-11)	59	TSU-6 (CTCSS UNIT)	76
220 MHz VCO UNIT (X58-3450-10)	60	SPECIFICATIONS	Back cover

CIRCUIT DESCRIPTION

Frequency Configuration

The TM-621A uses a synthesized PLL and includes a variable-frequency oscillator that enables selection of 5 kHz, 10 kHz, 12.5 kHz, 20 kHz, or 25 kHz channel steps. (See Fig. 1.)

Signals received in the 144 MHz band are down-converted to a first intermediate frequency of 16.9 MHz by mixing with the first local oscillator frequency (127.1 MHz to 131.095 MHz), and then to the second intermediate frequency of 455 kHz by mixing with the second local oscillator frequency of 17.355 MHz.

Signals received in the 220 MHz band are down-converted to the first intermediate frequency of 30.825 MHz by mixing with the first local oscillator frequency (189.175 MHz to 194.170 MHz), and then to the second intermediate frequency of 455 kHz by mixing with the second local oscillator frequency of 30.370 MHz. Double conversion is thus used for both the 144 MHz and 220 MHz bands.

The transmitted signal for both bands is generated direct oscillation and direct frequency division in the phase-locked loop. The signal is amplified by a linear amplifier before being applied for the antenna.

Unit	Model	TM-621A
Final Unit		X45-3300-10
Control Unit		X53-3130-12
220 MHz TX-RX Unit		X57-3280-10
144 MHz TX-RX Unit		X57-3230-11

Table 1 Comparison of TM-621A

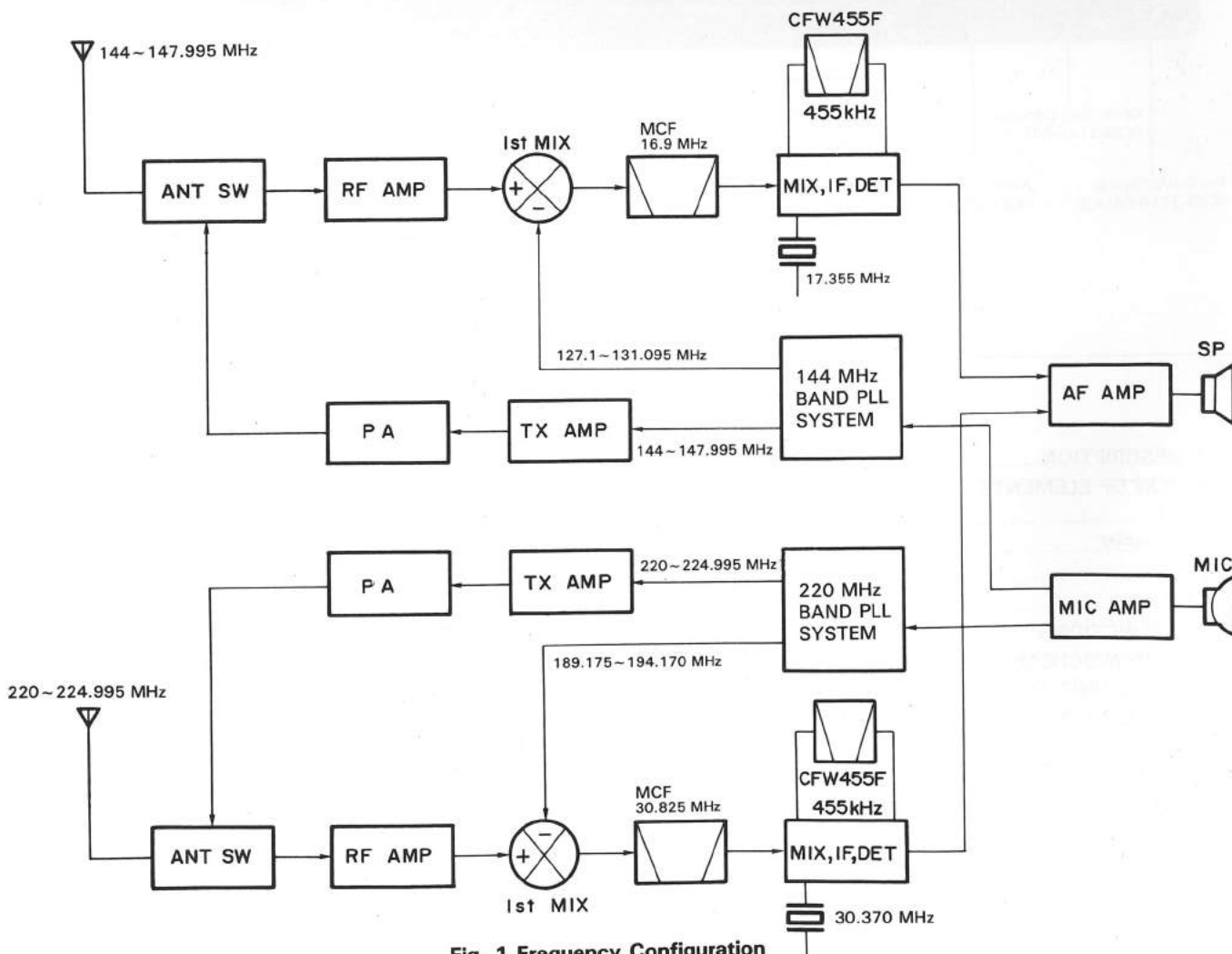


Fig. 1 Frequency Configuration

CIRCUIT DESCRIPTION

Receiver Circuits

• General

This set uses separate receiver circuits for the 144 MHz and 220 MHz bands. These circuits extend from the antenna input section to the IF detector.

• 144 MHz

The incoming two meter band signal passes thru the transmit/receive switching diode in the final unit. And then through the antenna matching coil in the front unit. It is then amplified by a GaAs FET radio-frequency amplifier, Filtered by a three-stage bandpass filter that uses varicap tuning to reject unwanted signal components, and is fed to the first mixer. There it is mixed with the first local oscillator signal from the PLL to generate the first IF signal (16.9 MHz). Spurious adjacent-channel signals are removed in a two-stage MCF (Monolithic Crystal Filter).

The first IF signal is amplified and fed to the FM IF IC:MC3361D. This IF signal is mixed with the second local oscillator frequency of 17.355 MHz which results in a second IF signal of 455 kHz. Spurious adjacent-channel signals are removed from the second IF signal by ceramic filter. Then the signal is amplified and detected to generate the audio signal.

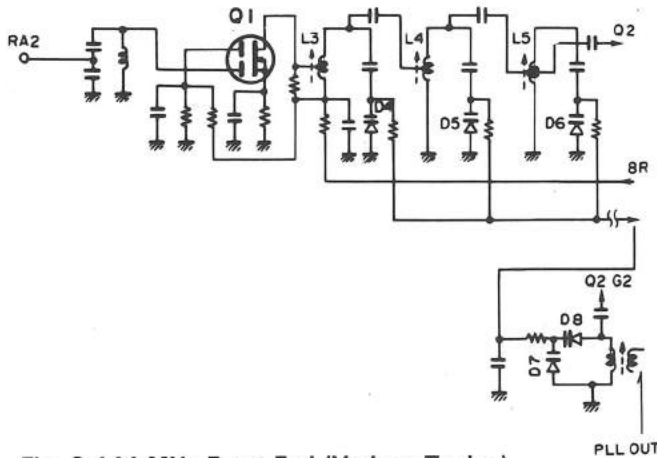


Fig. 2 144 MHz Front End (Varicap Tuning)

• 220 MHz band

The incoming 220 MHz signal passes thru the transmit/receive antenna switching diodes in the final unit and then passes through the antenna matching coil. The signal is then fed to a two-stage radio-frequency amplifier consisting of a GaAs FET and a junction-type FET. It then passes through a two-stage two-cavity helical resonator and enters the first mixer, where it is mixed with the first local oscillator signal from the PLL to generate the first IF signal (30.825 MHz). Spurious adjacent-channel signals are removed by a two-stage MCF.

The first IF signal is amplified and fed to the FM IF IC (MC3361D). This IF signal is mixed with a second local oscillator frequency of 30.37 MHz which converts it to a second IF signal of 455 kHz.

Spurious adjacent-channel signals are removed from the second IF signal by a ceramic filter. The signal is then amplified and detected to generate the audio signal.

Item	Specification
Nominal center frequency	30.825 MHz
Pass bandwidth	Max. ± 7.5 kHz at 3 dB
Attenuation band width	Max. ± 28 kHz at 40 dB
Ripple	Max. 1.5 dB
Insertion loss	Max. 3 dB
Guaranteed attenuation	60 dB or greater at ± 1 MHz; 40 dB or greater for spurious signal
Terminating impedance	1.4 k Ω /1 pF

Table 2 MCF (L71-0270-05) Characteristics (220 MHz TX-RX Unit XF1)

Item	Specification
Nominal center frequency	455 kHz ± 1 kHz
6 dB bandwidth	Min. ± 6 kHz (above 455 kHz)
50 dB bandwidth	Min. ± 12.5 kHz (above 455 kHz)
Ripple (455 ± 4 kHz)	Max. 3 dB
Insertion loss	Max. 6 dB
Guaranteed attenuation (455 ± 100 kHz)	Max. 35 dB
Input-output matching impedance	2.0 k Ω

Table 3 Ceramic Filter CFW455F (L72-0315-05) Characteristics (220 MHz TX-RX Unit CF1, 144MHz TX-RX Unit CF1)

Item	Rating
Nominal center frequency (f_0)	16.900 kHz
3 dB bandwidth	± 7.5 kHz or more
Attenuation bandwidth	± 25 kHz or less at 40 dB ± 45 kHz or less at 60 dB
Guaranteed attenuation	70 dB or more within ± 1 MHz (Spurious response 40 dB or more) 80 dB or more within $f_0 - (900 - 920$ kHz)
Ripple	1.0 dB or less
Loss	1.5 dB or less
Input and output impedance	1.8 k Ω /0 pF

Table 4 MCF (L71-0279-05) Characteristics (144 MHz TX-RX Unit XF1)

CIRCUIT DESCRIPTION

• AF Unit

The path from the detector output to the AF power amplifier input consists of two separate identical circuits for the main band and the subband. The audio signal is first switched by an analog switch into the AF preamplifier for its corresponding band. After amplification, the signal level is adjusted by a two-channel electronic volume control IC: M51523 which is controlled by the MAIN VOLUME and BALANCE controls on the front panel. An AF low-pass filter then removes unwanted high-frequency components. Next the two audio signals are combined to create a single audio signal which is amplified by the audio power amplifier before being applied to the speaker. (See Fig. 3.)

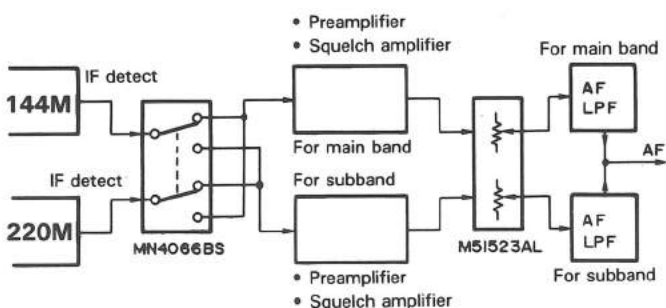


Fig. 3 AF Section

• Squelch Circuits

Independent squelch circuits are provided for the main band and subband. These circuits receive the output from the detector, remove the 50 kHz noise component, amplify the signal with two transistor stages, and rectify it by means of a diode to generate the squelch control signal. After DC amplification, the control signal is used to switch the main and sub preamplifiers on and off.

• S Meter Circuits

Independent S meter circuits for the 144 MHz and 220 MHz bands receive signals from the 455 kHz ceramic filter, amplify it in two-stage meter amplifier, and rectify the resulting signal to generate a DC voltage. The microprocessor converts the analog DC voltage to a digital output that is used to drive an LCD bar meter.

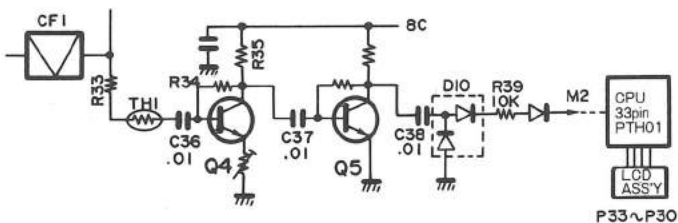


Fig. 4 144 MHz S-meter circuit

• Switching of Balance Range

To disable the BALANCE control in the single mode, the control voltage range of the BALANCE control is switched. This switching is done by a Low signal from the INH (Inhibit) pin of the microprocessor that turns on transistor Q7 in the single mode. Since the center voltage of the balance control resistor is held to approximately 4 V, the voltage at the BAL pin cannot exceed 4 V, so even if the balance VR is moved to the SUB position, the main band remains unattenuated. (See Fig. 5 and 6.)

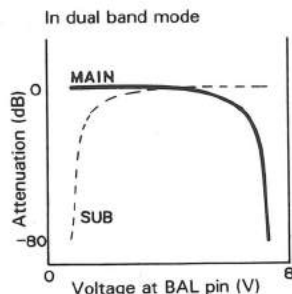


Fig. 5

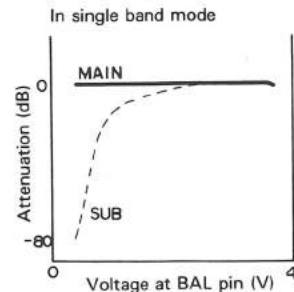


Fig. 6

During normal operation, the two electronic volume controllers in the set operate using the M51523AL, but when the remote control unit (RC-10) is connected and used to adjust the output level, they are controlled by the LC7532M. When the remote control unit is connected, a High switch control signal is sent from the CE pin of shift register IC4 to force the attenuation of the M51523AL to zero. (Normally the CE output is Low.) The UP and DOWN signals from the shift register then vary the attenuation of the LC7532M. (See Fig. 7.)

CIRCUIT DESCRIPTION

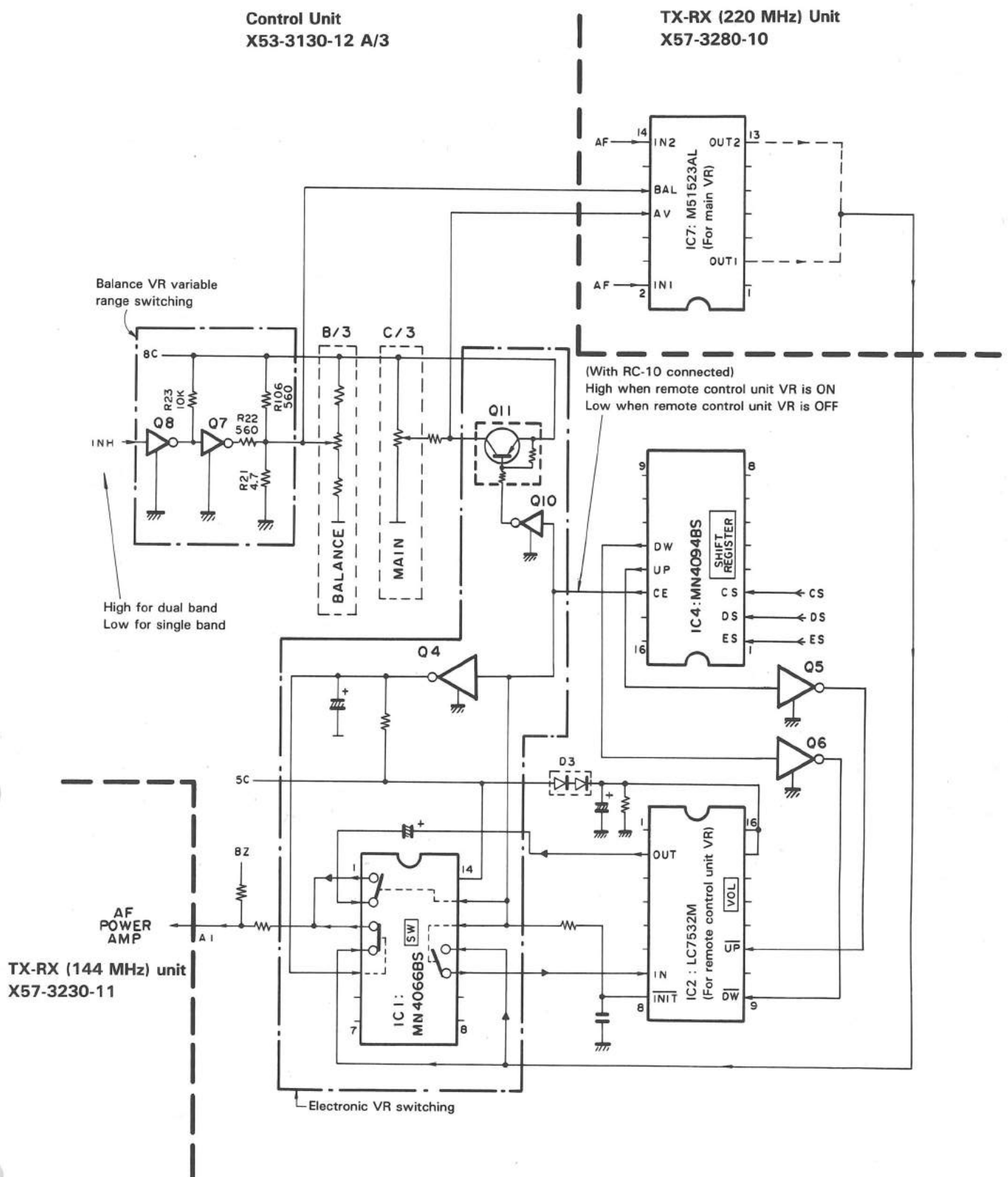


Fig. 7 AF Volume Switching Diagram

CIRCUIT DESCRIPTION

• Muting Circuit

There are three types of audio muting:

MU1 : Mutes the main band momentarily during memory scan etc. And during transmission.

MU2 : Mutes the subband when the CTCSS key is pressed.

MU3 : Operates when the MUTE key is pressed on the front panel.

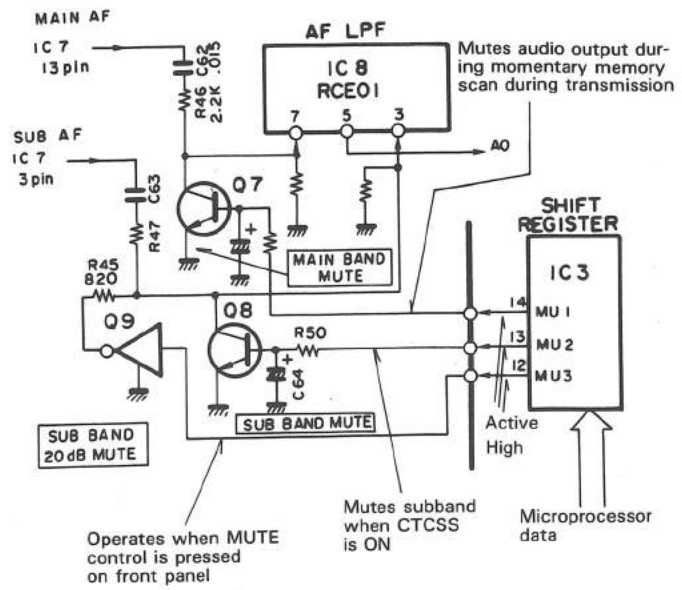


Fig. 8 Mute Circuit

CIRCUIT DESCRIPTION

Transmitter Circuits

• General

Except for the microphone amplifier and APC (Automatic Power Control) circuits, the transmitting circuits are independent.

• Modulation Circuit

The audio signal from the microphone is fed to three operational amplifiers which perform preemphasis, amplification, and limiting, and form a splatter filter that removes unwanted high-frequency components.

The modulation circuit directly modulates the VCO (Voltage control oscillator) for the 144 MHz and 220 MHz bands by using a varicap. (See Fig. 9.)

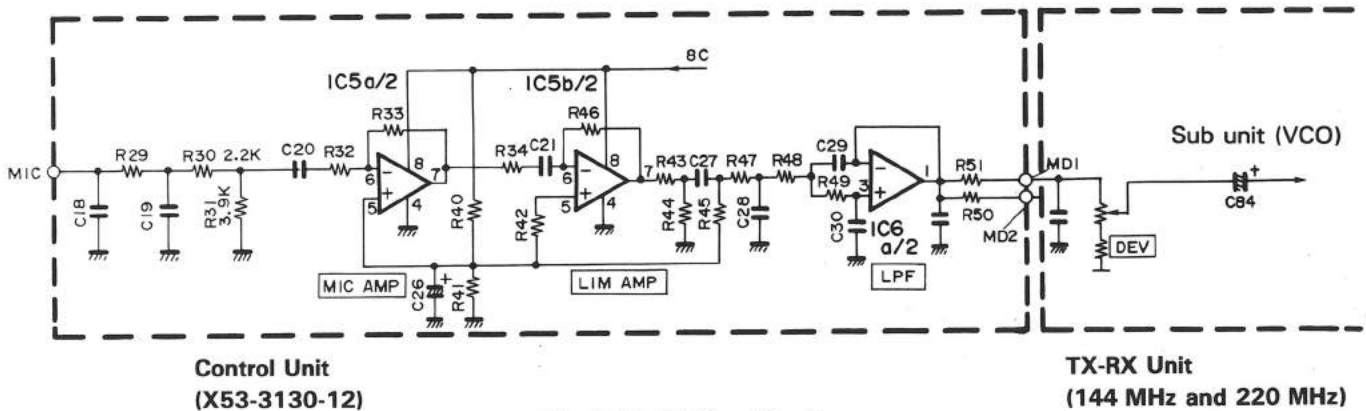


Fig. 9 Modulation Circuit

• Preampifier Stage Circuit

A three-stage linear amplifier is used in both the 144 MHz and 220 MHz bands. Due to its wideband design, this linear amplifier provides stable drive output without adjustment.

• Power Amplifier Circuit

The drive signal is fed to the power modules and amplified to the required levels. It then passes through the TX/RX switching diode and a filter and is transmitted via the antenna.

Item	Symbol	Tc (°C)	Unit	Conditions	Rating	
					M57726	M57774
Operating voltage	Vcc	25	V		17	17
Current consumption	Icc	25	A		14	14
Input power	Pin	25	W	Z _G = Z _L = 50 Ω	0.6	0.6 (V _{cc1} ≥ 13.8 V)
Output power	Po	25	W	Z _G = Z _L = 50 Ω	55	55
Operating case temperature	Tc (op)		°C		-30 ~ +110	-30 ~ +110
Storage temperature	Tstg		°C		-40 ~ +110	-40 ~ +110

Table 5 Maximum Ratings of Power Modules

• APC and SWR (Standing Wave Ratio) Protection Circuits

The APC (automatic transmit output control) circuit and protection circuit have independent detectors in both bands. The control circuit is a common hybrid IC.

The APC detects the output from the power module and feeds the result to the hybrid IC. The SWR protection circuit extracts a portion of the reflected wave generated by antenna mismatch-

ing at the CM (Capacitance Matching) coupler, detects it, and feeds the result to the hybrid IC.

The hybrid IC controls the power transistor Q5 : 2SD1406 (Y) in the drive stage, controls the drive transistor and the second pin of the power module, and thus varies the transmitter output.

CIRCUIT DESCRIPTION

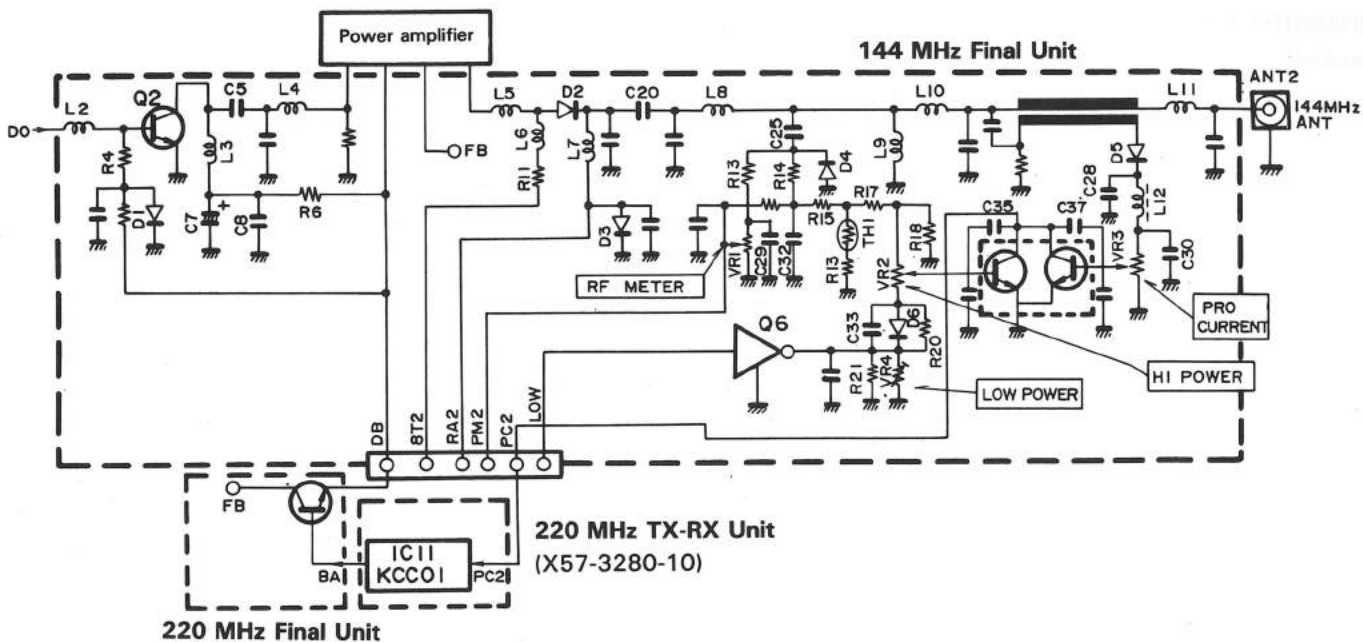


Fig. 10 APC and SWR Protection Circuits

PLL Synthesizer

Fig. 11 is a block diagram of the PLL and VCO sections of the 144 MHz and 220 MHz circuits. A feature of the PLL system in the TM-621A is that there are independent subunits for the 144 MHz and 220 MHz bands, each consisting of an upper VCO section and a lower PLL section. Both sections are enclosed in a sturdy case that shields them from external signals. To provide 5 kHz, 10 kHz, 12.5 kHz, 20 kHz, and 25 kHz steps, the 12.8 MHz frequency of the reference oscillator in both the 144 MHz and 220 MHz bands is divided by 2048 and 2056 according to the step count to yield frequencies of 6.25 kHz and 5 kHz. Each VCO oscillates directly at the target frequency. After single-stage amplification, the frequency is applied to a pulse-swallow PLL IC which divides it, performs phase comparison, and locks the frequency.

The PLL system for the 144 MHz band locks without switching between TX and RX. The lock-up time of the PLL is shortened by using pin 10 of the PLL IC (M54959FP), which is Low in TX, to turn off the low-pass filter Q1 and Q2 in Fig. 13, only at the instant when the set is switched to TX, thus shortening. The time it takes the transmitter to lock.

The PLL system for the 220 MHz band locks on a single VCO, with band switching for TX and RX performed inside the VCO.

In the 144 MHz band, the relation between F_{VCO1} and the division ratios is:

$$F_{VCO1} = (144 - 16.9) = \{(n1 \times 128) + A1\} \times F_{osc} + R$$

F_{VCO1} : Output frequency of 144 MHz-band VCO

$n1$: Value to which binary 10-bit programmable counter is set

$A1$: Value to which binary 7-bit programmable counter is set

F_{osc} : Reference oscillator frequency, 12.8 MHz

R : Value to which binary 14-bit programmable counter is set

$$R = 2560 \text{ for } 5 \text{ kHz, } 10 \text{ kHz, } 20 \text{ kHz and } 25 \text{ kHz steps}$$

$$R = 2048 \text{ for } 12.5 \text{ kHz steps}$$

If $n1 = 198$, $A1 = 76$, then with 5 kHz, 10 kHz, 20 kHz and 25 kHz steps:

$$\begin{aligned} \therefore F_{VCO1} &= \{(198 \times 128) + 76\} \times 12800 \div 2560 \\ &= (15344 + 76) \times 5 \\ &= 127100 = 127.1 \text{ MHz} \end{aligned}$$

In the 220 MHz band the relation between F_{VCO2} (RX) and the division ratios is:

$$F_{VCO2} = (220 - 30.825) = \{(n2 \times 128) + A2\} \times F_{osc} + R$$

F_{VCO2} : Output frequency of 220 MHz-band VCO

R and F_{osc} : Same step frequencies as in the 144 MHz band
In this case $n2 = 295$ and $A2 = 75$, so:

$$\begin{aligned} \therefore F_{VCO2} &= \{(295 \times 128) + 75\} \times 12800 \div 2560 \\ &= (37760 + 75) \times 5 \\ &= 189175 = 189.175 \text{ MHz} \end{aligned}$$

CIRCUIT DESCRIPTION

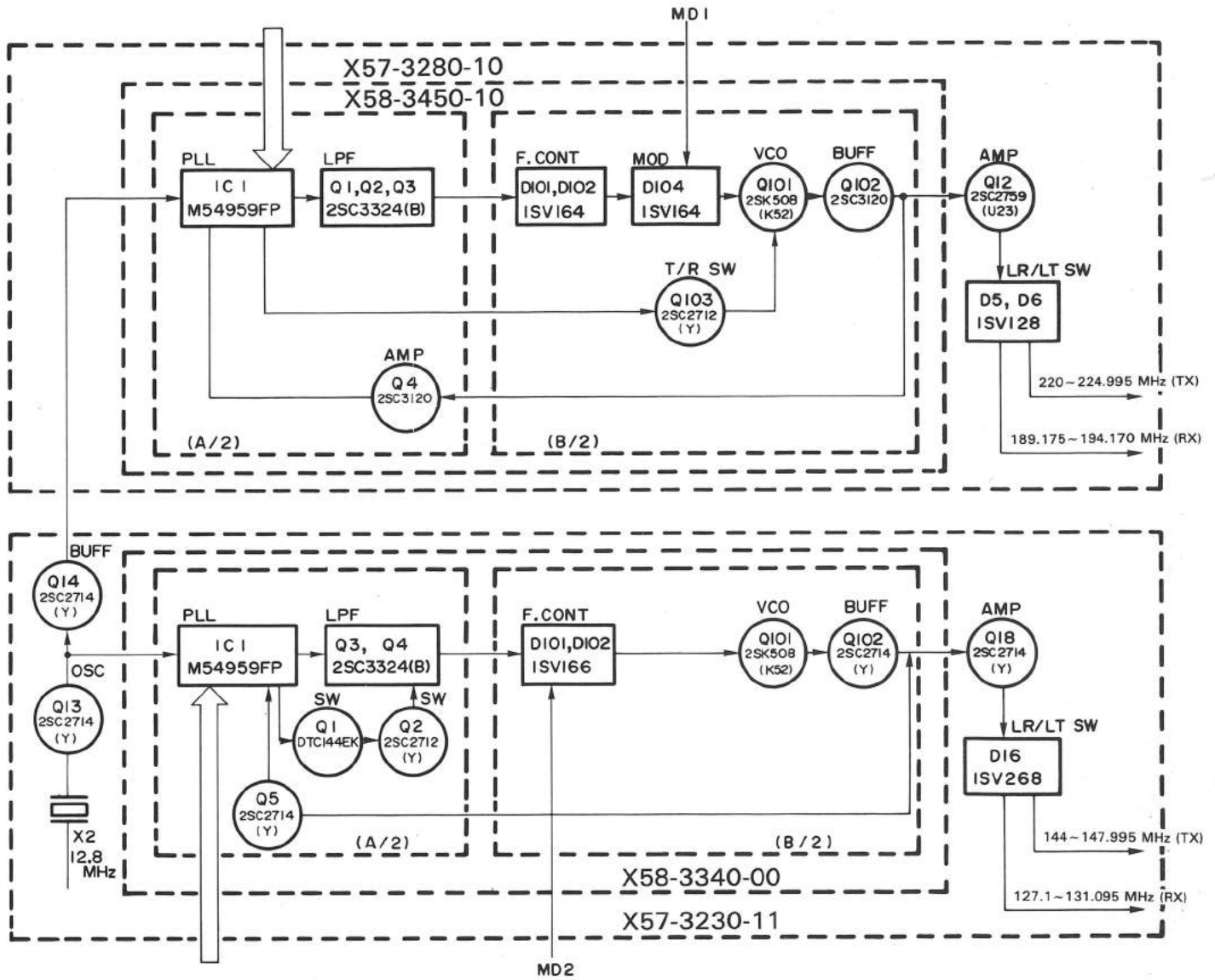


Fig. 11 PLL and VCO Block Diagram

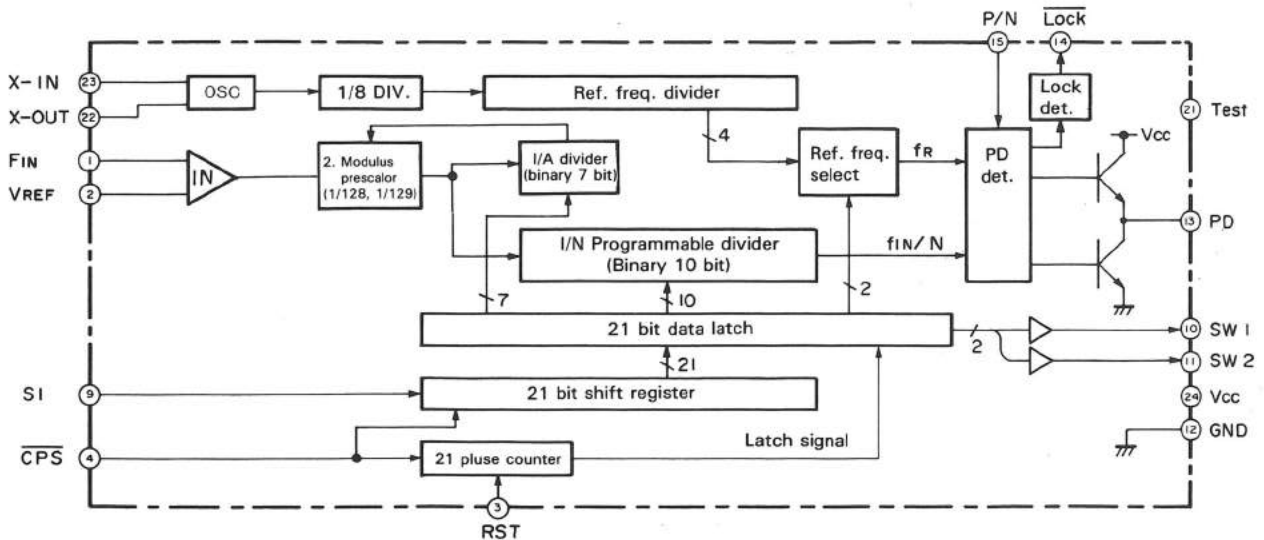


Fig. 12 M54959 Pulse Swallow Control Circuit

CIRCUIT DESCRIPTION

The unlock circuit operates only in the transmitter circuit. A description of the 220 MHz unlock circuit follows. Q9 is the PLL unlock switching transistor. Normally the base of Q9 is Low (0 V) and the collector of Q9 is High (8 V). When the PLL unlocks 0.7 V dc is applied to the base of Q9, Turning Q9 on forcing the collector to 0 V (Low). This switches Q7 off. When the PLL unlocks (during transmission), the collector of Q7 goes to 8 V (instead of the normal 0 V) and Q10 turns off. Therefore the 8T switching transistor Q10 turns off and the transmit bias voltage goes dead. This prevents transmitter output when the PLL is unlocked.

• 8R (Receive 8 V) Stop Circuit

In receiving, the base of Q12 receives an 5 V dc signal that turns Q12 on (so the collector of Q12 goes to 0 V). Q11 then turns on and provides 8 V at its collector. (In receiving, 8 V is supplied from 8C (Common +8 V) to 8R.)

During transmit, serial data from the microprocessor is passed thru shift register IC4. The output from IC4 at pin 11 goes Low. Q12 therefore turns off (its collector voltage going to 8 V), Q11 turns off, and no 8R output is provided from the collector of Q11.

The PLL IC (M54959FP) can be controlled for its two reference division ratios and single comparison division ratio.

The pulse-swallow PLL circuit is contained on a single chip and consists of a built-in dual-modulus (1/128 and 1/129) prescaler. The switch function (pin 10) of the PLL IC controls the 8T1 (TX +8 V (220 MHz)) and 8T2 (TX +8 V (144 MHz)) lines.

• 8T2 (Transmit 8V) and Unlock Circuit

During receive, 0.7 V desional is applied to the base of Q8 which turns Q8 on, Q7 off, and Q10 off, so no voltage is output at the collector (8T2) (TX +8 V) of Q10.

When the PTT (Push-to-Talk) switch is depressed, serial data is sent from the microprocessor to IC1 (the phase-locked loop) causing pin 10 of IC1 to go Low. This switches Q8 off, Q7 on, and Q10 on, so that 8 V is applied to 8T2. (In transmission, 8 V is applied to 8T2 from 8C.)

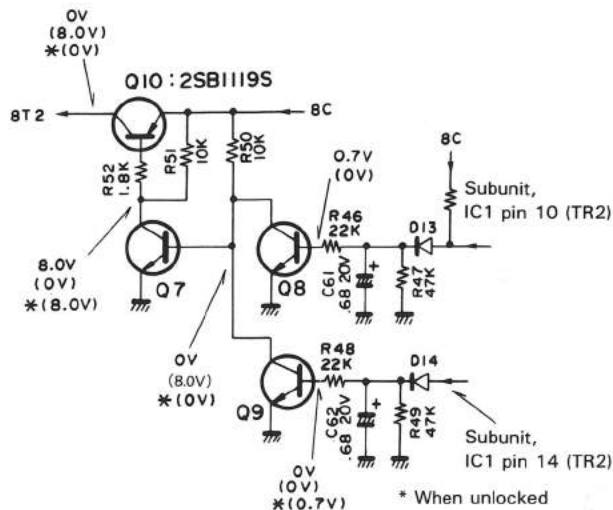


Fig. 14 8T2 (Transmit 8 V) and Transmit Unlock Circuits

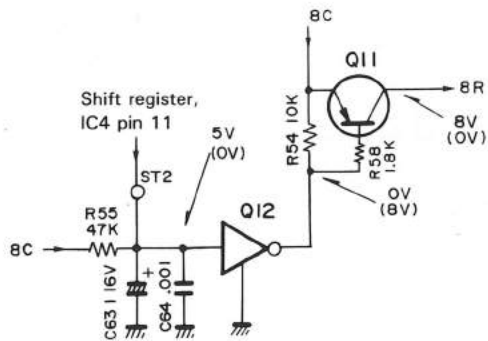


Fig. 13 8R Stop Circuit

CIRCUIT DESCRIPTION

Digital Control Section

• General

The digital control section contains a single microprocessor (CPU) that controls all transceiver functions. As shown in the block diagram in **Fig. 15**, it also includes the key, switch, and

rotary encoder input circuits, display circuit, reset and backup circuits, and tone output circuit.

Table 6 lists the pin functions of IC103.

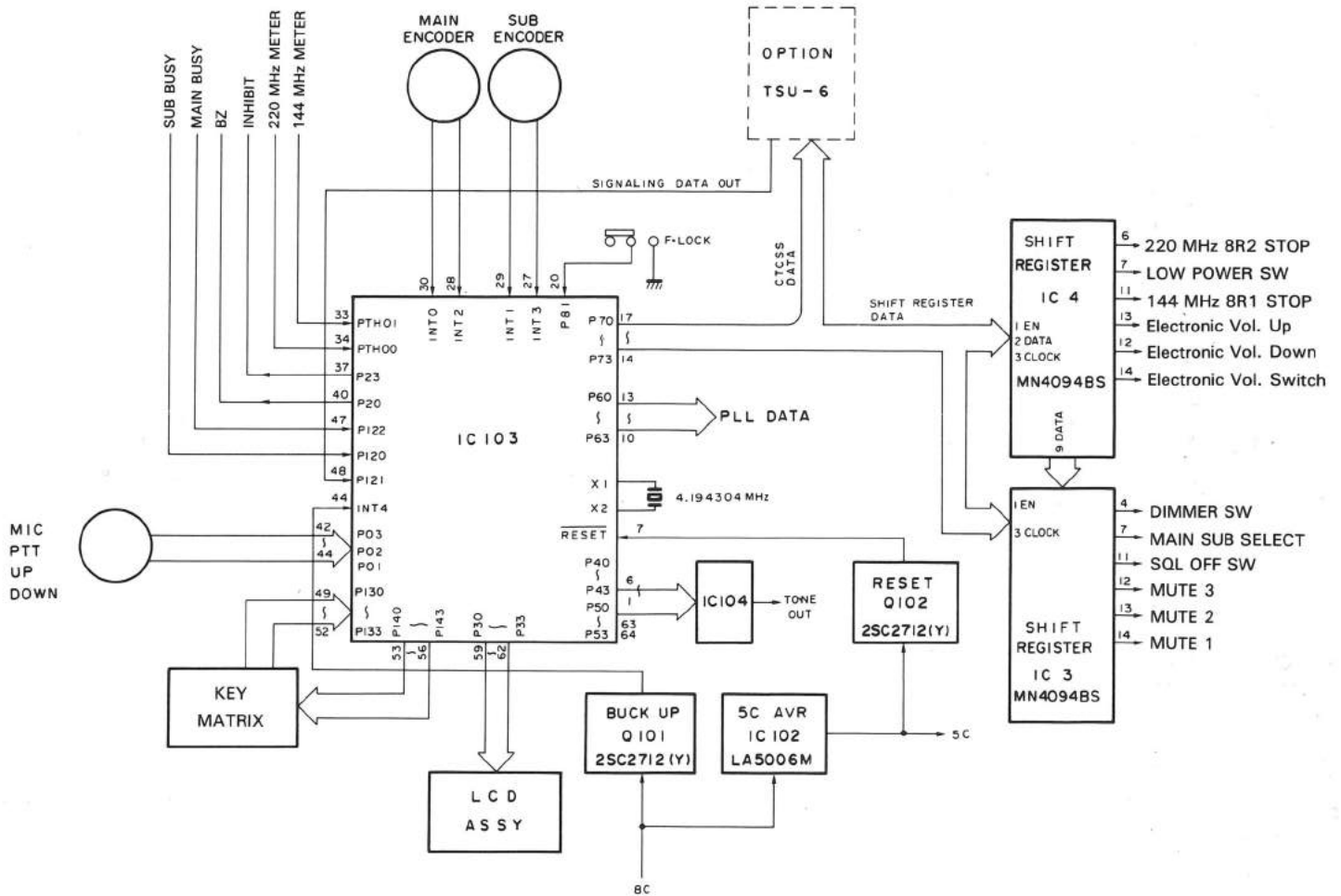


Fig. 15 Control Section Block Diagram

CIRCUIT DESCRIPTION

Pin No.	Name	I/O	Logic	Function	Pin No.	Name	I/O	Logic	Function
1	P41	O	-	D-A converter digital output	33	PTH01	I	-	144 MHz S/RF meter analog input
2	P40	O	-		34	PTH00	I	-	220 MHz S/RF meter analog input
3	P53	O	-		35	T11	-	L	Not connected
4	P52	O	-		36	T10	-	L	
5	P51	O	-		37	P23	O	L	Output during single operation
6	P50	O	-		38	P22	O	-	Not connected
7	RESET	I	L	Reset input	39	P21	O	-	Not connected
8	X2	-	-	4.194304 MHz crystal oscillator	40	P20	O	-	Beep tone generator
9	X1	-	-		41	P03/S1	I/I	L/-	Microphone DOWN switch input/serial data input
10	P63	O	L	PLL IC (144 MHz) enable output	42	P02/S0	I/O	L/-	Microphone PTT switch input/serial data output
11	P62	O	L	PLL IC (220 MHz) enable output	43	P01/SCK	I/-	L/-	Microphone UP switch input/serial clock input/ output
12	P61	O	-	PLL IC data output	44	INT4	I	H	Backup detector input
13	P60	O	-	PLL IC clock output	45	P123	I	H	Remote control unit connection-detect input (Only when connected)
14	P73	O	H	CTCSS enable output	46	P122	I	L	Main band BUSY input
15	P72	O	H	Shift register enable output	47	P121	I	H	CTCSS tone count input
16	P71	O	-	Shift register and CTCSS (Continuous Tone Coded Squelch System) lock output	48	P120	I	L	Subband BUSY input
17	P70	O	-	Shift register and CTCSS data output	49	P133	I	L	Key input
18	P83	I	L	Not connected	50	P132	I	L	
19	P82	-	-		51	P131	I	L	
20	P81	I	L	LOCK switch input	52	P130	I	L	
21	P80	I	L	Not connected	53	P143	O	L	Key output
22	P93	I	H	Destination input	54	P142	O	L	
23	P92	I	H		55	P141	O	L	
24	P91	I	H	56	P140	O	L		
25	P90	I	L	Not connected	57	NC	-	-	
26	Vss	-	-	Ground (0 V)	58	Vcc	-	-	Power pin (5 V)
27	INT3	I	-	Sub encoder data input	59	P33	O	-	LCD driver data output
28	INT2	I	-	Main encoder data input	60	P32	O	-	LCD driver clock output
29	INT1	I	-	Sub encoder clock input	61	P31	O	-	Sub LCD driver enable output
30	INT0	I	-	Main encoder clock input	62	P30	O	-	Main LCD driver enable output
31	PTH03	I	H	Not connected	63	P43	O	-	D-A converter digital output
32	PTH02	I	H		64	P42	O	-	

Table 6 75108G-644-1B Pin Functions (Control Unit IC)

• Key and Rotary Encoder Input Circuit

Fig. 16 shows the key and rotary encoder input circuit. The keys on the front panel form a matrix which the microprocessor reads by scanning. Signals from the two rotary encoders (MAIN and SUB), the microswitches (PTT, UP, DOWN) and the F.LOCK switch are applied to the CPU directly.

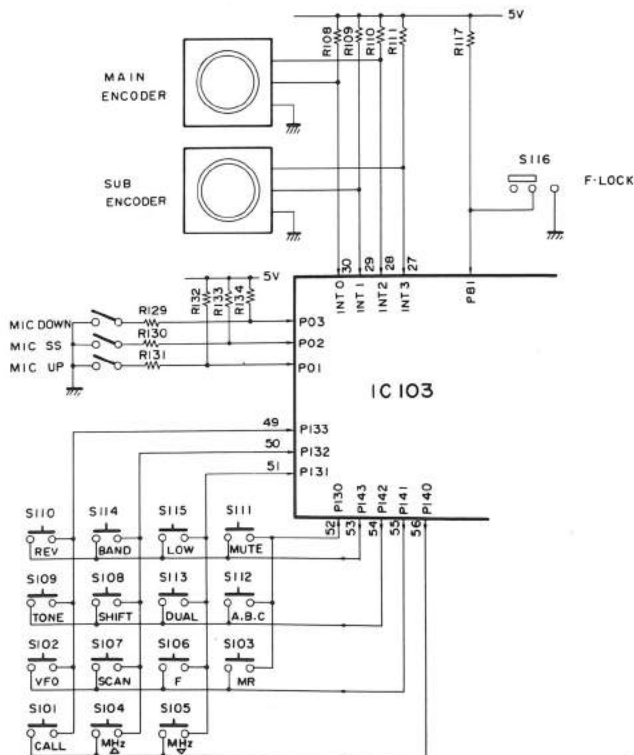


Fig. 16 Key, Switch, and Rotary Encoder Input Circuit

CIRCUIT DESCRIPTION

• Reset and Backup Circuits

Fig. 17 shows the reset and backup circuits. When power is switched on, the reset circuit applies a Low pulse with a duration of approximately 3 mS to the RESET input of the microprocessor. This causes a power-on reset. When power is switched off, the backup circuit detects the voltage drop on the 8 V line and applies a High signal to the INT4 input of the microprocessor. This places the microprocessor in the backup state.

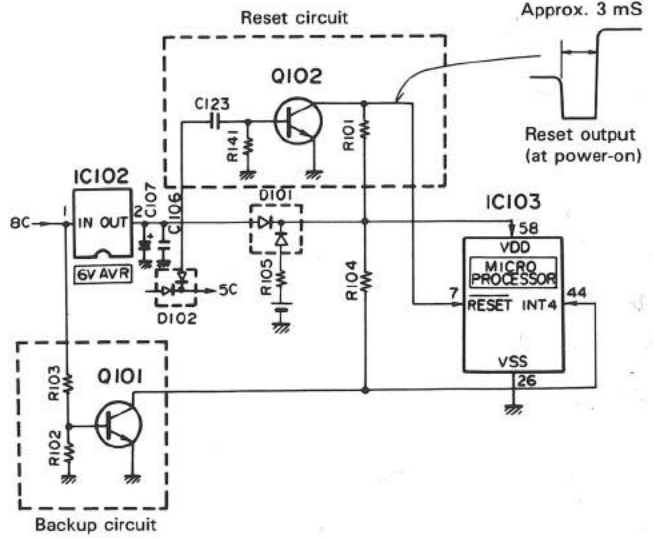


Fig. 17 Reset and Backup Circuits

• Display Circuit

Located on the LCD assembly, the display circuit consists of two LCD drivers, one for the main band and one for the sub-band, together with their supporting circuits and the liquid crystal display. (See Fig. 18.) The LCD is driven dynamically with a 50% duty cycle. The data to be displayed is sent as serial

data to the LCD from pins P30 to P33 of the microprocessor. In single operation, the microprocessor sends the subband LCD driver an inhibit signal to suppress the subband display.

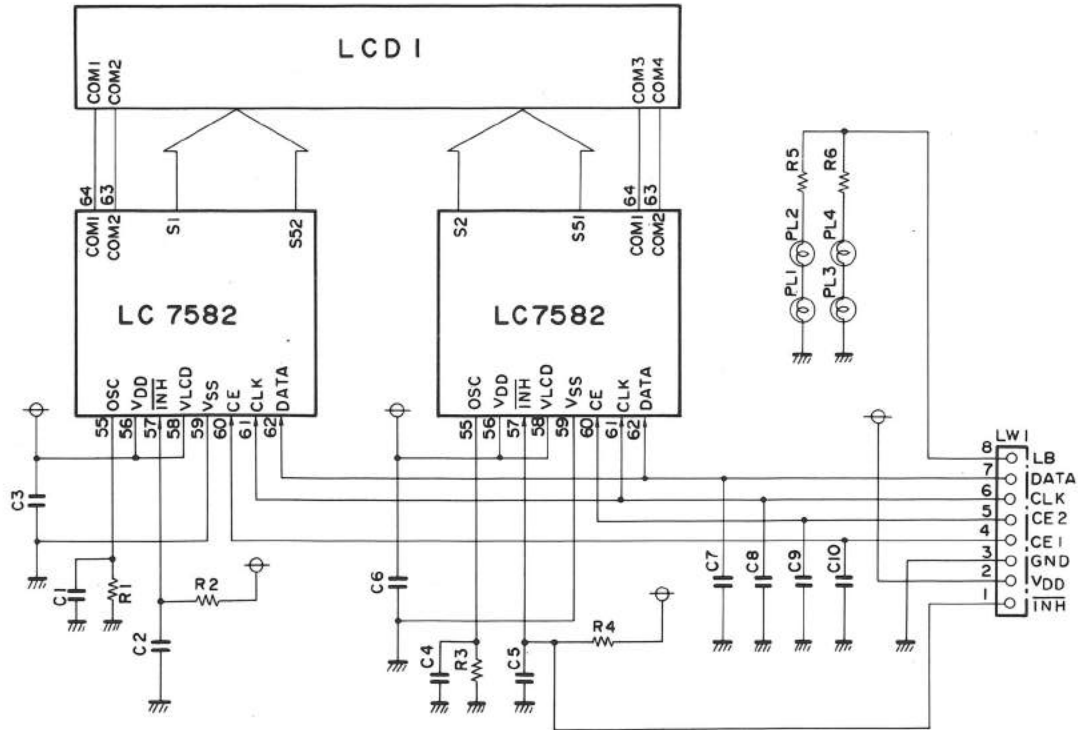


Fig. 18 LCD Assembly (B38-0306-05)

CIRCUIT DESCRIPTION

• PLL Data Output

Pins P60 (CP (PLL Clock)), P61 (DP (PLL Data)), P62 (EP1 (220 MHz PLL Enable)), and P63 (EP2 (144 MHz PLL Enable)) of the microprocessor supply the PLL data.

Fig. 19 indicates the bit structure of the data.

Fig. 20 indicates the timing of the data transfer.

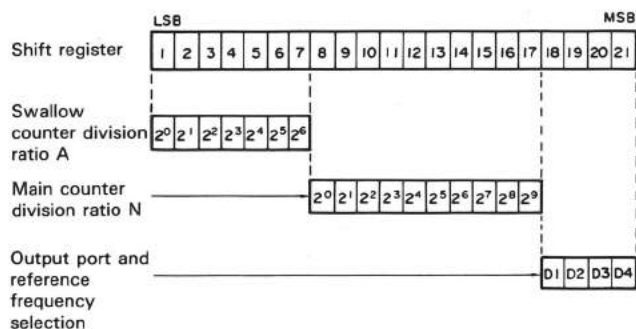


Fig. 19 PLL Data Structure

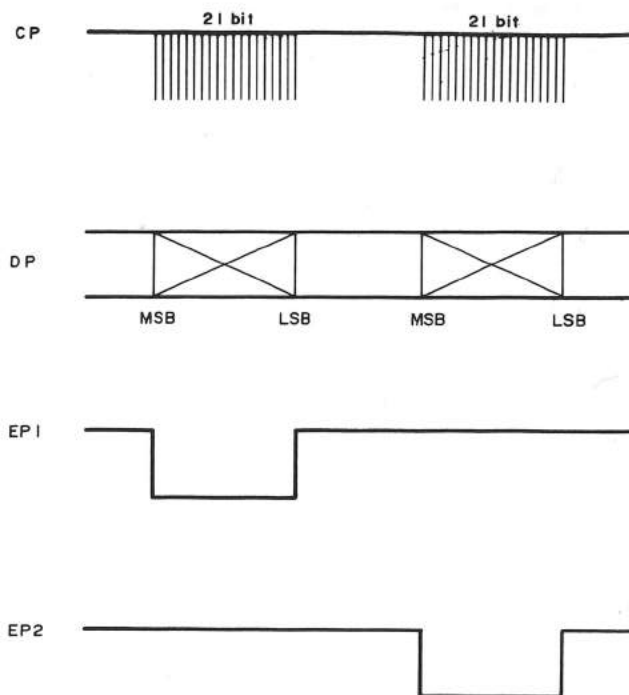


Fig. 20 PLL Data Transfer Timing

144 MHz Band

The 21 data bits are obtained as follows:

1. Division data A and N (17 bits)

$$F \text{ (displayed value - 16.9 MHz in RX)} \\ = \{(N \times 128) + A\} \times 12.8 \text{ MHz} \div \text{ref}$$

N: 10-bit binary value; division ratio of main counter

A: 7-bit binary value; division ratio of swallow counter

2. Reference frequency (ref) selection (2 bits)

Data		Phase reference frequency	
D1	D2		
L	L	5 kHz	With 5 kHz, 10 kHz, 20 kHz, or 25 kHz steps
H	L	6.25 kHz	With 12.5 kHz steps

3. Switch selection (2 bits)

Data		Output port			
D3	D4	SW1	SW2		
H	H	H	H	At RX	With ACC OFF
L	H	L	H	At TX	With ACC OFF
H	L	H	L	At RX	With ACC ON
L	H	L	H	At TX	With ACC ON

220 MHz Band

The 21 data bits are derived as follows:

1. Division data A and N (17 bits)

$$F \text{ (displayed value - 30.825 MHz in RX)} \\ = \{(N \times 128) + A\} \times 12.8 \text{ MHz} \div \text{ref}$$

N: 10-bit binary value; division ratio of main counter

A: 7-bit binary value; division ratio of swallow counter

2. Reference frequency (ref) selection (2 bits)

Data		Phase reference frequency	
D1	D2		
L	L	5 kHz	With 5 kHz, 10 kHz, 20 kHz, or 25 kHz steps
H	L	6.25 kHz	With 12.5 kHz steps

3. Switch selection (2 bits)

Data		Output port			
D3	D4	SW1	SW2		
H	H	H	H	At RX	
L	H	L	H	At TX	

CIRCUIT DESCRIPTION

• Shift Register Circuit

By shifting serial data from the microprocessors, the two shift registers (IC3 and IC4) perform the following control functions:

- Main and sub standby control
- Muting control
- Low power control
- Electronic volume control, UP/DOWN switching
- Dimmer control
- Main/sub select
- Squelch off control

• Dimmer Control Circuit

Fig. 21 shows the AVR circuit in the LB. The LB (Lamp + B) voltage is lowered by switching the reference voltage zener diodes.

Normally the base voltage of Q2 is held to approximately 11 V by the 11 V zener diode D1:02CZ11Y, and the pilot lamp voltage LB is approximately 10.5 V. When the DIM switch is set to the ON position, 5 V dc is obtained from pin 4 of shift register IC3, causing Q3 DCT 114EK to go from High to Low, thereby connecting zener diode D2:02CZ8.2Y in parallel to D1. Therefore, the base voltage of Q2 is held to the zener voltage (8.2 V) of D2, resulting in a drop to approximately 8.5 V. The pilot lamp voltage LB then drops to approximately 7.8 V and the pilot lamp dims.

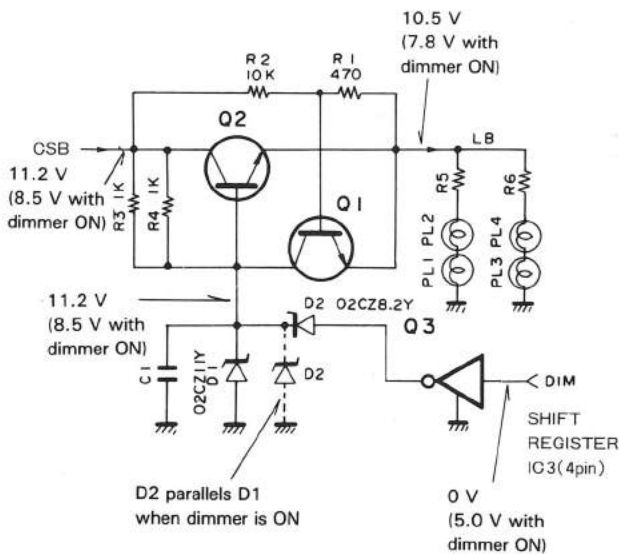


Fig. 21 LB (Lamp + B) AVR Circuit

• Squelch-Off Circuit (When RC-10 is Connected)

Fig. 22 shows the squelch-off circuit. This circuit opens the squelch gate for the main band from the remote controller when the remote control unit is used.

When the RC-10 is connected, it communicates with the microprocessor in the set via pins 2, 3, and 4 of the microphone connector. When the RC-10 is connected, the exchange of data with the microprocessor causes pin 11 of shift register IC3 to provide a High switch control signal, so transistor Q9 goes Low and the SQL pin is dropped to ground level.

The result is that the squelch VR for the main band is left open. Part of the main noise amplifier output is fed from the RD (Remote Data) pin to pin 6 of the microphone connector, and from there to the RC-10.

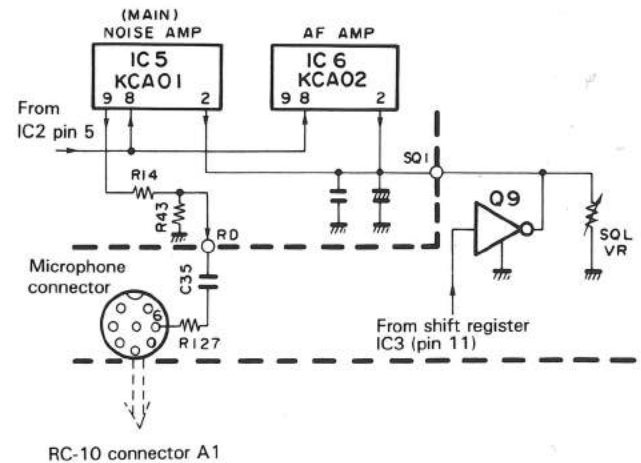


Fig. 22 Squelch Off Circuit

• Beep Tone

The microprocessor generates a beep tone of approximately 1.2 kHz at pin P20. This signal is reshaped into a rectangular wave by an C, R wave-shaping circuit.

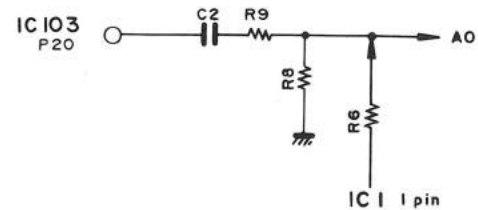


Fig. 23

CIRCUIT DESCRIPTION

• Tone Output

Signals from pins P40 to P43 and P50 to P53 of the microprocessor are fed to a ladder resistor network (IC104) which performs D-A conversion and provides 38 signals ranging from 67.0 to 250.3.

Fig. 24 shows the internal structure of IC104.

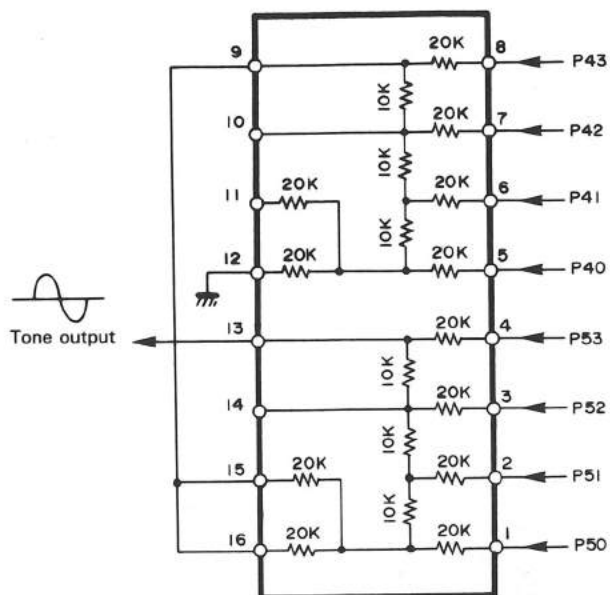


Fig. 24 Ladder Network: Internal Structure of KRR-C001 (Control Unit IC104)

• Input and Output for Remote Control Unit (RC-10, Option)

When the remote control unit is connected, the microprocessor receives a High input at P123 and switches the following pin functions:

- P03 → SI : Serial data input pin
- P02 → SO : Serial data output pin
- P01 → SCK : Serial clock input/output pin

Data transfer between the microprocessor in the set and the microprocessor in the remote control unit takes place over these lines.

• S meter and RF meter input

The S meter and RF meter voltages are coupled separately for the main band and subband and are provided as the M1 and M2 inputs to the PTH00 and PTH01 pins of the microprocessor. The input voltage is converted internally to a 4-bit digital value (16 levels) and sent to the display.

• Busy Input

BUSY signals are supplied separately to the microprocessor for the main band and subband. If squelch is on, the microprocessor receives a Low input when the received signal is present, and lights the BUSY indicator.

• Input and Output for CTCSS Unit (Option)

The microprocessor provides data for the CTCSS unit from pins P70, P71, and P73. This data specifies the CTCSS tone frequency and CTCSS unit on/off information.

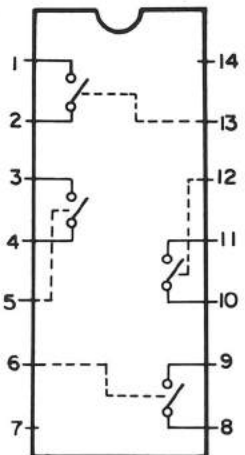
When a tone is detected from the CTCSS unit, the microprocessor receives a High input at P121 and opens the squelch gate.

DESCRIPTION OF ELEMENTS

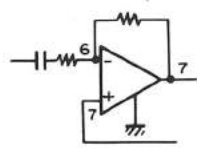
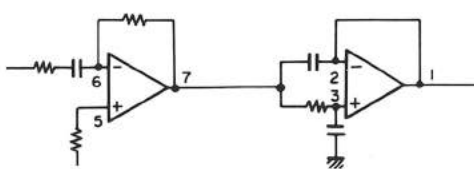
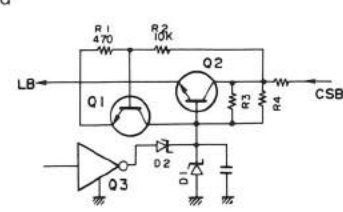
Final Unit (X45-3300-10)

Components	Use/Function	Operation/Condition/Compatibility
Q1	Power amplifier	144 MHz M57726:52 W or more (with APC set OFF)
Q2	Transmitter driver	144 MHz DO2 pin:0.12 W, Q2's collector:0.55 W (with APC OFF for M57726)
Q3	144 MHz protection, APC control	Power control with VR2, Protection adjustment with VR3
Q6	Low Power switch	Turns OFF when operating with 144 MHz Low Power
Q50	Power amplifier	220 MHz M57774:42 W or more (with APC OFF)
Q51	Drive stage + B control	
D1	Q2 idling	Anode voltage:0.6 V (in transmission)
D2, 3	Transmission/Reception select	D2: UM9401, D3: MI308 for 144 MHz
D4	144 MHz APC, RF meter detection	RF meter adjustment with VR1, APC adjustment with VR2, 144 MHz
D5	144 MHz reflected wave detection	Adjust with VR3, 15 W:ANT is open
D50	Power supply reverse connection protection	
D51, 54	220 MHz APC, RF meter detection	D51: MI407, D54: MI308
D52	220 MHz APC, RF meter detection	Adjust with VR 7 on 220 MHz TX-RX unit, Adjust with VR 5 on 220 MHz TX-RX unit
D53	220 MHz reflected wave detection	Adjust VR4 on 220 MHz TX-RX unit

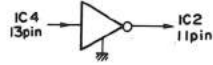

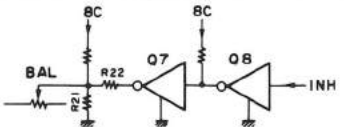
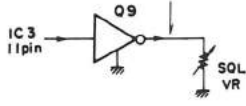
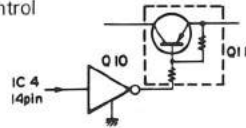
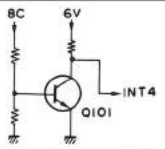
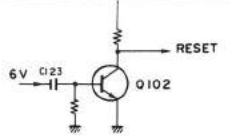
Control Unit (X53-3130-12)

Components	Use/Function	Operation/Condition/Compatibility
IC1	Electronic volume (IC2) select 	In normal Operation ⑤ goes high, ⑫ ⑬ goes low level Between ③ and ④ turns ON Between ① and ②, between ⑩ and ⑪ turn OFF Remote operated condition with RC-10 ⑤ goes high, ⑫ ⑬ goes low level Between ③ and ④ turns ON Between ① and ②, between ⑩ and ⑪ turns OFF
IC2	Electronic volume control	② Output ⑦ Input ⑧ Initial pin, "L" level volume step 6 ⑨ "L" level volume up ⑪ "L" level volume down

DESCRIPTION OF ELEMENTS

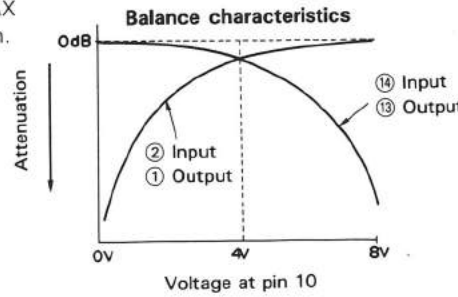
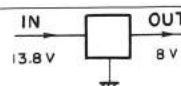
Components	Use/Function	Operation/Condition/Compatibility
IC3	Shift register	<ul style="list-style-type: none"> ① Enable input ② Data input ③ Clock input ④ At high level in DIM mode ⑦ Band select output Goes low when main 220 MHz band ⑪ Squelch switch Goes high when squelch is turned OFF with RC-10 ⑫ Goes high when ⑭ mute output is activated ⑫ Goes high in memory scan, momentarily on transmission ⑬ Goes high when sub band CTCSS is ON ⑭ Goes high when MUTE key on the front panel is engaged
IC4	Shift register	<ul style="list-style-type: none"> ① Enable input ② Data input ③ Clock input ⑥ Stops 220 MHz band 8R. Goes high on reception mode. ⑦ LOW power switch output. Goes high when LOW power is ON. ⑨ Data output to IC3 ⑪ Stops 144 MHz band 8R. Goes high on reception mode. ⑫ Electronic volume UP output Goes low in UP operation. ⑬ Electronic volume DOWN output Goes low in DOWN operation. ⑭ Electronic volume select output Goes high when electronic volume (IC2) is engaged
IC5	Microphone amp	<ul style="list-style-type: none"> ⑥ MIC (microphone) input ⑦ Output 
IC6	Limiting amp (1/2) Low pass filter (2/2)	<ul style="list-style-type: none"> ⑥ Input, ⑦ Output ① Output 
IC7	8 V AVR 3-pin regulator	Input 13.5 V, output 8 V
IC103	Microcomputer	refer to "Circuit Description"
IC104	DA conversion for tone	<ul style="list-style-type: none"> ①-⑧ Input ⑬ Output
Q1	IR AVR protection	When AVR output is short-circuited 
Q2	LB AVR	
Q3	Dimmer switch	
Q4	Electronic volume select switch	Turns ON when operated with RC-10 remote control.

DESCRIPTION OF ELEMENTS

Components	Use/Function	Operation/Condition/Compatibility
Q5	Electronic volume down switch	Turns ON when electronic volume down operation 
Q6	Electronic volume up switch	Turns ON when electronic volume up operation 
Q7	Balance volume switch	Turns ON in single operation
Q8	Balance volume switch	Turns OFF in single operation 
Q9	Squelch OFF switch	Turns ON when squelch function is turned OFF with RC-10 
Q10, 11	Electronic volume select switch	Turns ON when operated with RC-10 remote control 
Q12	Buffer amp for tone	
Q101	Backup switch	Turns OFF when the 5 V line shows below the rated value when the power is turned ON/OFF. 
Q102	Reset switch	Turns ON during 3 ms when the power is turned ON. Normally OFF. 
D1	LB AVR reference	11 V Zener diode
D2	LB AVR reference in dimmer mode	8.2 V Zener diode
D3	Voltage drop	
D101	Reverse current protection lithium battery select	Lithium battery turns ON when the power is turned OFF.
D102	Reverse current protection, microcomputer protection	
D103	Reverse current protection	
D104	Microcomputer protection	

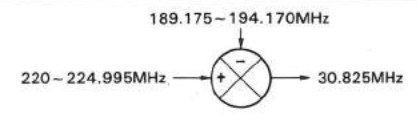
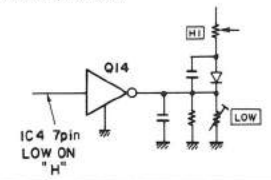
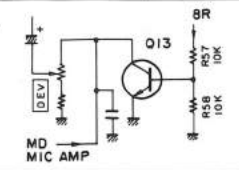
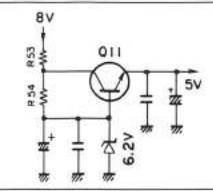
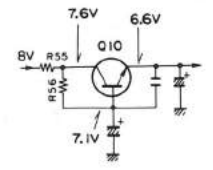
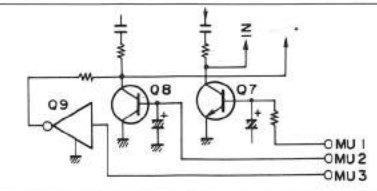
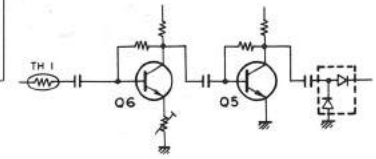
DESCRIPTION OF ELEMENTS

220 MHz Transmission/Reception Unit (X57-3280-10)

Components	Use/Function	Operation/Condition/Compatibility
IC1	2nd local oscillator, mixer IF amplifier, detector	Operation in reception ⑩ 2nd IF input 30.825 MHz ① ② 2nd local oscillator 30.37 MHz ⑨ Detector output
IC2	Band select switch	③ At low level: Input ⑦→⑤ output ⑥→④ ③ At high level: Input ⑦→④ output ⑥→⑤
IC3	Sub band: Noise amplifier, detector, SDT buffer	⑧ Detect signal input ⑨ SDT output ② Noise detect voltage output (DC)
IC5	Main band: Noise amplifier, detector, RD buffer	⑧ Detect signal input ⑨ RD output ② Noise detect voltage output (DC)
IC4, 6 IC4 sub, IC6 main	SQL switch, AF amp	② At low level: ⑨ AF output is ON ⑤ low level ② At high level: ⑨ AF output is OFF ⑤ high level
IC7	Electronic volume balance	⑧ When 8 V: AF volume MAX 0 V: AF volume Min. 
IC8	AF IPF Main/sub mix	Input ⑦, ③ are mixed and to output ⑤
IC9	PLL 8 V AVR	3-pin regulator 
IC10	8T, 8R select	③ high level, ② low level, ④ +8 V ③ low level, ② low level, ④ 0 V ③ high level, ② low level, ④ 0 V ③ low level, ② high level, ④ 0 V 8 R ⑨ high level, ⑧ 8 V ⑨ low level, ⑧ 0 V
IC11	APC	

DESCRIPTION OF ELEMENTS

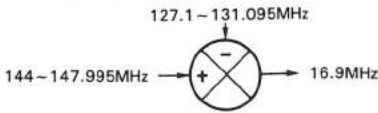
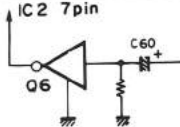
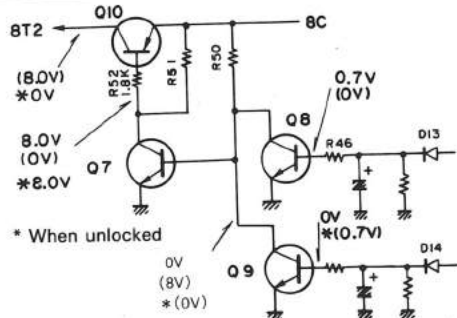
Components	Use/Function	Operation/Condition/Compatibility
Q4	First IF amplifier	Operation in reception 30.825 MHz
Q5, 6	S-meter amplifier	
Q7	Main band mute	Main band mute when ON
Q8	Sub band mute	Sub band mute when ON
Q9	Sub band mute (20 dB)	Sub band mute by 20 dB when ON
Q10	PLL 8 V ripple filter	
Q11	PLL 5 V AVR	
Q12	PLL output amplifier	On reception: 189.175 ~ 194.170 MHz On transmission: 220 ~ 224.995 MHz
Q13	PLL modulation input mute	On reception: When ON, turns C13 ON by 8R, and grounds the mic line.
Q14	Low Power switch	220 MHz band: Turns OFF when LOW POWER is activated.
Q15, 16	Radio-frequency amplifier	Operation in reception 220 ~ 224.995 MHz
Q17	Transmission driver	Operation in reception 220 ~ 224.995 MHz
Q18	Ripple filter	
Q150	Radio-frequency amplifier	Operation in reception
Q151	First mixer	Operation in correction 189.175 ~ 194.170MHz 220 ~ 224.995MHz → 30.825MHz
D1	Reverse current protection	
D2	S-meter detection	
D3	Reverse current protection	
D4	PLL 5 V AVR reference	0.2 V Zener diode
D5	PLL output switch	Turns ON on reception
D6	PLL output switch	Turns ON on transmission



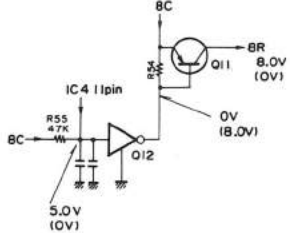
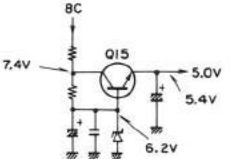
DESCRIPTION OF ELEMENTS

Components	Use/Function	Operation/Condition/Compatibility
D7	Reverse current protection	
D8	Reverse current protection	
D9	POWER control temperature compensation	
D10	Reverse current protection	
D11	Limiter	
D12	Idling of Q16	
D13	Idling of Q17	

144 MHz Transmission/Reception Unit (X57-3230-11)

Components	Use/Function	Operation/Condition/Compatibility
IC1	Second local oscillator, mixer PLL 8 V ripple filter	Operation in reception ⑩ First IF input 16.9 MHz ① ② Second local oscillator 17.355 MHz ⑨ Detector output
IC2	AF amplifier	⑥ AF IN ① AF OUT
IC3	DC-DC converter	① DC IN 8 V ② DC OUT 24 V
Q1	Radio-frequency amplifier	Operation in reception
Q2	First mixer	Operation in reception 
Q3	First IF amplifier	Operation in reception 16.9 MHz
Q4, 5	S-meter amplifier	
Q6	IC2 mute	Turns ON during approx. 300 ms when power is turned ON. In normal operation, it is OFF. 
Q7	8T switching control	Turns ON in transmission
Q8	8T switching control	Turns OFF in reception
Q9	8T switching control	PLL lock OFF
Q10	8T switching control	Turns ON in transmission 

DESCRIPTION OF ELEMENTS

Components	Use/Function	Operation/Condition/Compatibility
Q11 Q12	8R switching 8R switching control	Turns ON in transmission Turns ON in reception 
Q13	PLL reference oscillator	12.8 MHz
Q14	Buffer	12.8 MHz
Q15	PLL 5 V AVR	12.8 MHz 
Q17	PLL modulation input mute	Turns ON in reception When receiving, turns Q17 ON, and grounds the mic line
Q18	PLL output amplifier	On reception 127.1 ~ 131.095 MHz On transmit 144 ~ 147.995 MHz
Q19, 20	Radio-frequency amplifier	Activates when transmitting
D1	Reverse current protection	
D4 ~ 8	Varicap tuning	
D9	Reverse current protection	
D10	S-meter detection	
D11	Reverse current protection	
D12	Limiter	
D13, 14	Reverse current protection	
D15	PLL 5 V AVR reference	
D16	PLL output switch	
D17	Q20 idling	

DESCRIPTION OF ELEMENTS

144 MHz VCO unit (X58-3340-11)

Components	Use/Function	Operation/Condition/Compatibility
IC1	PLL	① VCO input When receiving: 127.1 ~ 131.095 MHz When transmitting: 144 ~ 147.995 MHz ⑩ At low level when transmitting ⑭ At high level when unlocked ⑳ Reference oscillator input 12.8 MHz
Q1	Transmission select switch	Turns OFF when transmitting
Q2	Transmission select switch	Turns ON at the moment when transmission starts
Q3, 4	LPF	
Q5	VCO output amplifier	When receiving: 127.1 ~ 131.095 MHz When transmitting: 144 ~ 147.995 MHz
Q101	VCO	When receiving: 127.1 ~ 131.095 MHz When transmitting: 144 ~ 147.995 MHz
Q102	VCO output buffer	When receiving: 127.1 ~ 131.095 MHz When transmitting: 144 ~ 147.995 MHz
D101	Varicap for transmission modulation	
D102	VCO voltage control	

DESCRIPTION OF ELEMENTS

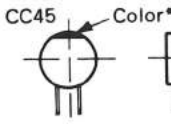
220 MHz VCO Unit (X58-3450-10)

Components	Use/Function	Operation/Condition/Compatibility
IC1	PLL	① VCO input When receiving 189.175~194.170 MHz When transmitting 220.0~224.995 MHz ⑩ At low level when transmitting ⑭ At high level when unlocked ⑲ Reference oscillator input 12.8 MHz
Q1~3	LPF	
Q4	VCO output buffer	When receiving 189.175~194.170 MHz When transmitting 220~224.995 MHz
Q101	VCO	When receiving 189.175~194.170 MHz When transmitting 220~224.995 MHz
Q102	VCO output buffer	When receiving 189.175~194.170 MHz When transmitting 220~224.995 MHz
Q103	Transmission select switch	Turns OFF during transmitting
D101, 102	VCO voltage control	
D103	Transmission select switch	Turns OFF during transmitting
D104	Varicap for transmission modulation	

PARTS LIST

CAPACITORS

CC 45 TH 1H 220 J
 1 2 3 4 5 6



Capacitor value

- 0 1 0 = 1pF
- 1 0 0 = 10pF
- 1 0 1 = 100pF
- 1 0 2 = 1000pF = 0.001μF

1 0 3 = 0.01μF
 2 2 0 = 22pF
 1st number | Multiplier
 2nd number

- 1 = Type ceramic, electrolytic, etc.
- 2 = Shape round, square, etc.
- 3 = Temp. coefficient
- 4 = Voltage rating
- 5 = Value
- 6 = Tolerance

Temperature Coefficient

1st Word	C	L	P	R	S	T	U
Color*	Black	Red	Orange	Yellow	Green	Blue	Violet
ppm/°C	0	-80	-150	-220	-330	-470	-750

2nd Word	G	H	J	K	L
ppm/°C	± 30	± 60	± 120	± 250	± 500

Example CC45TH = -470±60 ppm/°C

Tolerance

Code	C	D	G	J	K	M	X	Z	P	No code
(%)	± 0.25	± 0.5	± 2	± 5	± 10	± 20	+ 40 - 20	+ 80 - 20	+ 100 - 0	More than Less than 10μF-10~+50 4.7μF-10~+75

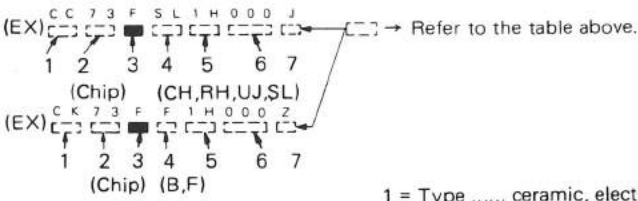
Code	B	C	D	F	G
(pF)	± 0.1	± 0.25	± 0.5	± 1	± 2

Less than 10 pF

Rating voltage

2nd word											
1st word	A	B	C	D	E	F	G	H	J	K	V
0	1.0	1.25	1.6	2.0	2.5	3.15	4.0	5.0	6.3	8.0	-
1	10	12.5	16	20	25	31.5	40	50	63	80	35
2	100	125	160	200	250	315	400	500	630	800	-
3	1000	1250	1600	2000	2500	3150	4000	5000	6300	8000	-

Chip capacitors



Dimension

Dimension code	L	W	T
Empty	5.6 ± 0.5	5.0 ± 0.5	Less than 2.0
E	3.2 ± 0.2	1.6 ± 0.2	Less than 1.25
F	2.0 ± 0.3	1.25 ± 0.2	Less than 1.25

RESISTORS

Chip resistor (Carbon)

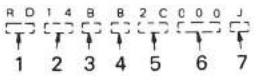


- 1 = Type ceramic, electrolytic, etc.
- 2 = Shape round, square, etc.
- 3 = Dimension
- 4 = Temp. coefficient
- 5 = Voltage rating
- 6 = Value
- 7 = Tolerance.

Dimension

Dimension code	L	W	T	Wattage
E	3.2 ± 0.2	1.6 ± 0.2	0.57	2B
F	2.0 ± 0.3	1.25 ± 0.2	0.45	2A

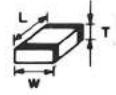
Carbon resistor (Normal type)



Rating wattage

Cord	Wattage	Cord	Wattage	Cord	Wattage
2A	1/10W	2E	1/4W	3A	1W
2B	1/8W	2H	1/2W	3D	2W
2C	1/6W				

Dimension



PARTS LIST

SEMICONDUCTOR

N : New parts

Item	Remarks	Parts NO.
Diode		1S1587
		1SS101
		1N60PSPA
		DSA3A1
		RLS73
		MI308
		MI407
Chip vari-cap diode		UM9401
		1SV164
Chip diode		1SV166
		1SS128
Zener diode		1SS181
		1SS184
		1SS196
		1SS226
		1SS268
		HSM88AS
		02CZ6.2(X, Y)
Thermister		02CZ8.2Y
		02CZ11Y
		02CZ4.3(X, Y)
		112-103-02
Transistor		112-501-02
		2SC2538-22-A
		2SC3326(A)
		2SC3357
		2SC3369
		2SC3419(Y)
		2SD1406(Y)
Chip TR		2SB1119S
		2SC2407(1)
		2SC2712(Y)
		2SC2714(Y)
		2SC2759(U23)
		2SC2954
		2SC3120
		2SC3324(B)
		2SC3369
		FMW1

Item	Remarks	Parts NO.
Digital TR		DTA114EK
		DTA143EK
Chip FET		DTC114EK
		DTC114TK
		DTC144EK
		2SK125
		2SK208 (O)
		2SK508(K52)
Power module		3SK179(L)
		3SK184(S)
IC		M57726
		M57774
Microprocesssor IC		KCA01
		KCA02
		KCC01
		KCE01
		KCS01
		KCS02
		KRR-C001
		LA5006M
		LC7532M
		M51523AL
		M54959FP
		MB3713
	MC3361D	
	MN4066BS	
	MN4094BS	
	NJM4558M	
	NJM78L08UA	
	μPC78M08H	
	N	75108G-644-1B

PARTS LIST

× New Parts

Parts without Parts No. are not supplied.

Les articles non mentionnés dans le Parts No. ne sont pas fournis.

Teile ohne Parts No. werden nicht geliefert.

Ref. No. 参照番号	Address 位置	New Parts 新	Parts No. 部品番号	Description 部品名 / 規格	Desti- nation 仕向	Re- marks 備考
TM-621A						
1	1B		A01-1047-02	METALLIC CABINET (TOP)		
2	3A		A01-1048-02	METALLIC CABINET (BOTTOM)		
4	2C		A20-2648-03	PANEL		
5	2B		A23-1499-04	REAR PANEL (MODEL NAME PLATE)		
701			A22-0755-02	SUB PANEL		
-		*	A20-2670-02	PANEL ASSY		
9	2C	*	B10-1112-03	FRONT GLASS		
12	1E		B38-0306-05	LCD ASSY		
13	2B	*	B40-3848-04	MODEL NAME PLATE		
16	1G		B46-0410-20	WARRANTY CARD		
17	1G	*	B50-8225-10	INSTRUCTION MANUAL		
-			B11-0451-04	REFRACTOR (SMALL)		
-			B11-0452-02	REFRACTOR (LARGE)		
23	2F		E30-2111-05	DC CORD ASSY		
-			E31-3343-05	RIBBON CABLE		
-			E31-3344-05	CABLE WITH CONNECTOR (5P)		
-			E31-3345-05	CABLE WITH CONNECTOR (6P)		
-			E31-3346-05	CABLE WITH CONNECTOR (2P, 5P)		
-			E31-3347-05	CABLE WITH CONNECTOR (2P, DET)		
-			E31-3348-05	CABLE WITH CONNECTOR (2P, SF)		
28	2F		F05-1031-05	FUSE (10A)		
28	2F		F05-2036-05	FUSE (20A)		
31	1D		F15-0660-14	SHADE (SLIDE)		
32	1D, 1E		F15-0661-04	SHADE (SLIDE VR)		
33	1E		F20-0521-04	INSULATING PLATE (LITHIUM BATT)		
34	1D		F29-0431-05	INSULATOR (SUB ENCODER)		
37	1A, 3A		G10-0630-04	FELT (CASE)		
38	2C		G02-0505-05	KNOB FITTING SPRING (AF)		
39	2C		G09-0405-05	KNOB FITTING SPRING (MAIN)		
40	1A		G10-0651-04	FELT (SP)		
45	1D		G13-0868-04	CUSHION (3KEY)		
46	2D		G13-0869-04	CUSHION (10KEY)		
47	1D		G13-0870-04	CUSHION (UP/DOWN)		
-			G11-0623-04	SOFT TAPE (SUB ENCODER)		
-			G11-0624-04	SOFT TAPE (BAND KNOB)		
-			G11-0625-04	SOFT TAPE (MAIN ENCODER)		
-			G13-0649-04	CUSHION (16X12)		
-			G13-0871-04	CUSHION (LCD)		
52	2G	*	H01-8206-04	ITEM CARTON BOX		
54	3F		H10-2642-02	POLYSTYRENE FOAMED FIXTURE		
55	1F		H12-1345-14	PACKING FIXTURE (TOP)		
56	2F		H25-0117-04	PROTECTION BAG (DC CORD)		
57	2G		H25-0706-04	PROTECTION BAG (RADIO)		
-			H25-0029-04	PROTECTION BAG (MIC)		
60	2F		J20-0319-24	MIC HOOK (ACSY)		
61	2D		J21-4226-04	MOUNTING HARDWARE (SUB PANEL)		
62	1A		J21-4232-04	MOUNTING HARDWARE (SP)		
63	1F		J29-0418-03	MOUNTING BRACKET		
64	2D		J31-0141-04	COLLAR (MIC)		

E: Scandinavia & Europe K: USA P: Canada W: Europe

U: PX (Far East, Hawaii) T: England M: Other Areas

UE: AAFES (Europe) X: Australia

⚠ indicates safety critical components.

PARTS LIST

× New Parts

Parts without Parts No. are not supplied.

Les articles non mentionnés dans le Parts No. ne sont pas fournis.

Telle ohne Parts No. werden nicht geliefert.

Ref. No. 参照番号	Address 位置	New Parts 新	Parts No. 部品番号	Description 部品名 / 规格	Desti- nation 仕 向	Re- marks 備考
68	2C		K27-3026-04	KNØB (BUTTON) SLIDE VOLUME		0
69	2C		K27-3028-04	KNØB (BUTTON) SLIDE SWITCH		
70	2C		K29-3060-04	KNØB (MAIN)		
71	1D		K29-3111-04	KNØB (CALL, VFO, MR)		
72	1D		K29-3112-04	KNØB (SCAN-MUTE)		
73	2D		K29-3113-04	KNØB (DUAL)		
74	2C		K29-3114-04	KNØB (UP/DOWN)		
75	2C		K29-3115-04	KNØB (VØL)		
76	2C		K29-3116-04	KNØB (MAIN SQL)		
77	1D		K29-3143-04	KNØB (F)		
78	2D		K29-3144-04	KNØB (LOW)		
79	2C		K29-3145-04	KNØB (SUB ENCODER)		
86	2F		N99-0318-05	SCREW SET		
-			N46-3010-46	PAN HEAD TAPPING SCREW(ACSY)		
A	2A, 3A		N09-0666-05	SCREW (SUB PANEL CHASSIS)		
B	2A, 2B		N09-2030-05	SCREW (M4X6)		
C	1A		N09-2032-05	SCREW (M2.6X4, SPEAKER)		
E	1E, 2E		N32-2606-46	FLAT HEAD MACHINE SCREW(MØUNT)		
G	1D, 1E		N35-2004-46	BINDING HEAD MACHINE SCREW		
H	3A, 3B		N35-3006-45	BINDING HEAD MACHINE SCREW		
J	1A, 1B		N87-2606-46	BRAZIER HEAD TAPTITE SCREW		
K	2A		N87-2608-46	BRAZIER HEAD TAPTITE SCREW		
P	2B		N09-2035-05	SCREW (M2.6X4, REAR PANEL)		
Q	1C, 2D		N32-2604-46	FLAT HEAD MACHINE SCREW(PANEL)		
94	1A		T07-0246-05	LOUDSPEAKER(FULLRANGE)		
95	1F		T91-0359-15	MICROPHONE		
-			LC7582	IC(LCD DRIVER)		
99	1E		W09-0326-05	LITHUM BATTERY		
104	2B	*	X45-3300-10	FINAL UNIT		
105	2A	*	X53-3130-12	CONTRØL UNIT		
106	3B	*	X57-3280-10	TX-RX UNIT (220MHZ)		
108	2A		X57-3230-11	TX-RX UNIT (144MHZ)		
FINAL UNIT (X45-3300-10)						
-		*	B42-3322-14	LABEL (FOR ANT CABLE 144MHZ)		
-		*	B42-3342-04	LABEL (FOR ANT CABLE 220MHZ)		
C1			CK73FB1H102K	CHIP C 1000PF K		
C2			CC73FCH1H620J	CHIP C 62PF J		
C3			CC73FCH1H910J	CHIP C 91PF J		
C4 , 5			CK73FB1H102K	CHIP C 1000PF K		
C6			CC73FCH1H200J	CHIP C 20PF J		
C7			CE04CW1C100M	ELECTRØ 10UF 16WV		
C8 -12			CK73FB1H102K	CHIP C 1000PF K		
C13 , 14			CE04CW1C100M	ELECTRØ 10UF 16WV		
C16			CC45SL2H100D	CERAMIC 10PF D		
C17 , 18			CK73FB1H102K	CHIP C 1000PF K		
C19			CC45SL2H080D	CERAMIC 8.0PF D		
C20			CK45B2H102K	CERAMIC 1000PF K		
C21			CC45SL2H150J	CERAMIC 15PF J		
C22			CC41FCH1H180J	CYLND CHIP C 18PF J		
C23 , 24			CC45SL2H220J	CERAMIC 22PF J		
C25			CC73FCH1H0R5C	CHIP C 0.5PF C		

E: Scandinavia & Europe K: USA P: Canada W: Europe

U: PX(Far East, Hawaii) T: England M: Other Areas

UE: AAFES(Europe) X: Australia

⚠ indicates safety critical components.

PARTS LIST

※ New Parts

Parts without Parts No. are not supplied.

Les articles non mentionnes dans le Parts No. ne sont pas fournis.

Telle ohne Parts No. werden nicht geliefert.

Ref. No. 参照番号	Address 位置	New Parts 新	Parts No. 部品番号	Description 部品名 / 規格	Desti- nation 仕向	Re- marks 備考
C26			CC45SL2H270J	CERAMIC 27PF J		
C27			CC41FCH1H010C	CYLND CHIP C 1.0PF C		
C28			CK73FB1H102K	CHIP C 1000PF K		
C29			CC45SL2H180J	CERAMIC 18PF J		
C30 -32			CK73FB1H102K	CHIP C 1000PF K		
C34			CK73FB1H102K	CHIP C 1000PF K		
C35			CK73FB1H472K	CHIP C 4700PF K		
C36			CK73FB1H102K	CHIP C 1000PF K		
C37			CK73FB1H472K	CHIP C 4700PF K		
C38 -42			CK73FB1H102K	CHIP C 1000PF K		
C50 -52			CK73FB1H102K	CHIP C 1000PF K		
C53			CE04EW1C102M	ELECTR0 1000UF 16WV		
C54			CK73FB1H102K	CHIP C 1000PF K		
C55			CE04CW1C100M	ELECTR0 10UF 16WV		
C56			CK73FB1H102K	CHIP C 1000PF K		
C57			CE04CW1C100M	ELECTR0 10UF 16WV		
C58			CC45SL2H030C	CERAMIC 3.0PF C		
C59 ,60			CK73FB1H102K	CHIP C 1000PF K		
C61			CC73FCH1H050C	CHIP C 5.0PF C		
C62			CC45SL2H220J	CERAMIC 22PF J		
C63			CK45B2H102K	CERAMIC 1000PF K		
C64			CC45SL2H050C	CERAMIC 5.0PF C		
C65			CC45SL2H220J	CERAMIC 22PF J		
C66			CC41FCH1H010C	CYLND CHIP C 1.0PF C		
C67			CK73FB1H102K	CHIP C 1000PF K		
C68			CC45SL2H150J	CERAMIC 15PF J		
C69 ,70			CK73FB1H102K	CHIP C 1000PF K		
C71			CC45SL2H050C	CERAMIC 5.0PF C		
C72 -77			CK73FB1H102K	CHIP C 1000PF K		
CN1			E40-3246-05	PIN CONNECTOR (2P)		
J1	1A		E11-0425-05	PHONE JACK		
J2	1B		E30-2107-05	ANT CABLE (220MHZ)		
J3	2B		E30-2105-05	ANT CABLE (144MHZ)		
J4	2B		E30-2113-05	DC POWER CORD		
TP1			E23-0465-05	TERMINAL		
TP3			E23-0465-05	TERMINAL		
W1			E31-3350-05	CONNECTING WIRE		
W4			E23-0435-05	TERMINAL (FB)		
W5			E31-3353-05	CONNECTING WIRE (9P)		
W6			E31-3352-05	CONNECTING WIRE (5P)		
W7			E31-3351-05	CONNECTING WIRE (6P)		
W8			E31-2090-05	CONNECTING WIRE		
W9			E31-3349-05	CONNECTING WIRE		
A1	2B		F01-0957-02	HEAT SINK		
A2	1B		F11-1090-03	SHIELDING COVER (144MHZ SIDE)		
A3	3B		F11-1091-03	SHIELDING COVER (220MHZ SIDE)		
F1	2B		F05-1031-05	FUSE (10A)		
A4	2B		G02-0576-04	LEAF SPRING		
A5	2B		J42-0453-05	POWER CORD BUSHING		
L1			L40-2272-80	SMALL FIXED INDUCTOR		
L2			L40-1072-80	SMALL FIXED INDUCTOR		
L3			L34-0895-05	COIL		
L4			L34-1017-05	COIL		

E: Scandinavia & Europe K: USA P: Canada W: Europe

U: PX(Far East, Hawaii) T: England M: Other Areas

UE: AAFES(Europe) X: Australia

▲ indicates safety critical components.

PARTS LIST

× New Parts

Parts without Parts No. are not supplied.

Les articles non mentionnés dans le Parts No. ne sont pas fournis.

Telle ohne Parts No. werden nicht geliefert.

Ref. No. 参照番号	Address 位置	New Parts 新	Parts No. 部品番号	Description 部品名 / 規格	Desti- nation 仕向	Re- marks 備考
L5			L34-1039-05	COIL		
L6		*	L34-1239-05	COIL		
L7			L34-1153-05	COIL		
L8			L34-0452-05	COIL		
L9		*	L34-1239-05	COIL		
L10			L34-0742-05	COIL		
L11			L34-1208-05	COIL		
L12			L40-1092-16	SMALL FIXED INDUCTOR		
L50			L15-0306-05	LOW-FREQUENCY CHOKE COIL		
L51			L34-1226-05	COIL		
L52		*	L34-1239-05	COIL		
L53			L34-1207-05	COIL		
L54			L34-1208-05	COIL		
L55		*	L34-1239-05	COIL		
L56			L34-0641-05	COIL		
L57			L34-1209-05	COIL		
L58			L40-1092-16	SMALL FIXED INDUCTOR		
J	2B		N87-2606-46	BRAZIER HEAD TAPTITE SCREW		
L	1B, 3B		N09-0626-04	SCREW		
M	1B, 2B		N87-2606-41	BRAZIER HEAD TAPTITE SCREW		
N	1B, 3B		N09-0650-05	SCREW		
R1			RD41FB2B271J	CYLND CHIP R 270 J 1/8W		
R2			RD41FB2B180J	CYLND CHIP R 18 J 1/8W		
R3			RD41FB2B271J	CYLND CHIP R 270 J 1/8W		
R4			RK73FB2A470J	CHIP R 47 J 1/10W		
R5			RK73FB2A152J	CHIP R 1.5K J 1/10W		
R6			RD14DB2H220J	SMALL-RD 22 J 1/2W		
R11			RD14DB2H151J	SMALL-RD 150 J 1/2W		
R13, 14			RK73FB2A223J	CHIP R 22K J 1/10W		
R15			R92-0670-05	CHIP R 0 OHM		
R16			RK73FB2A223J	CHIP R 22K J 1/10W		
R17			RK73FB2A333J	CHIP R 33K J 1/10W		
R18			RK73FB2A473J	CHIP R 47K J 1/10W		
R19			RD41FB2B330J	CYLND CHIP R 33 J 1/8W		
R28			RK73FB2A334J	CHIP R 330K J 1/10W		
R50			RD14DB2H151J	SMALL-RD 150 J 1/2W		
R51			RK73FB2A103J	CHIP R 10K J 1/10W		
R52			RK73FB2A470J	CHIP R 47 J 1/10W		
VR1			R12-3457-05	TRIMMING PNT. (47K)		
VR2			R12-1440-05	TRIMMING PNT. (4.7K)		
VR3			R12-3457-05	TRIMMING PNT. (47K)		
VR4		*	R12-3464-05	TRIMMING PNT. (22K)		
D1			1SS184	DIODE		
D2			UM9401	DIODE		
D3			MI308	DIODE		
D4			1SS101	DIODE		
D5			1SS184	DIODE		
D50			DSA3A1	DIODE		
D51			MI407	DIODE		
D52			1SS101	DIODE		
D53			1SS184	DIODE		
D54			MI308	DIODE		
Q1			M57726	POWER MODULE (144MHZ)		

E: Scandinavia & Europe K: USA P: Canada W: Europe

U: PX(Far East, Hawaii) T: England M: Other Areas

UE: AAFES(Europe) X: Australia

▲ indicates safety critical components.

PARTS LIST

× New Parts

Parts without Parts No. are not supplied.

Les articles non mentionnés dans le Parts No. ne sont pas fournis.

Teile ohne Parts No. werden nicht geliefert.

Ref. No. 参照番号	Address 位置	New Parts 新	Parts No. 部品番号	Description 部品名 / 規格	Desti- nation 仕向	Re- marks 備考
Q2 Q3 Q6 Q50 Q51			2SC2538-22-A FMW1 DTC114EK M57774 2SD1406(Y)	TRANSISTOR DIGITAL TRANSISTOR DIGITAL TRANSISTOR POWER MODUL (220MHZ) TRANSISTOR		
TH-1			112-503-2	THERMISTOR 50K		
CONTROL UNIT (X53-3130-12)						
C1 C3 C5 C6 C7 ,8			CK41FY1E102M C92-0004-05 CK41FB1H471K CK73EB1E104K C92-0005-05	CYLND CHIP C 1000PF M CHIP TAN 1UF 16WV CYLND CHIP C 470PF K CHIP C 0.10UF K CHIP-TAN 2.2UF 6.3WV		
C9 C10 C11 C12 C13			C92-0004-05 CK73FB1E223K CK41FY1E102M CE04CW1C100M CE04CW1A101M	CHIP TAN 1UF 16WV CHIP C 0.022UF K CYLND CHIP C 1000PF M ELECTRO 10UF 16WV ELECTRO 100UF 10WV		
C14 ,15 C16 C17 C18 ,19 C20 ,21			CK41FY1E102M CK73FB1H103K CK41FY1E102M CC73FSL1H101J CK73EB1E333K	CYLND CHIP C 1000PF M CHIP C 0.010UF K CYLND CHIP C 1000PF M CHIP C 100PF J CHIP C 0.033UF K		
C22 C23 ,24 C25 C26 C27			CK73FB1E223K CK41FY1E222M CK73FB1E223K C92-0004-05 CK73EF1C105Z	CHIP C 0.022UF K CYLND CHIP C 2200PF M CHIP C 0.022UF K CHIP TAN 1UF 16WV CHIP C 1.0UF Z		
C28 C29 C30 ,31 C33 C34 ,35			CK41FW1H821M CK73FB1H272K CC73FSL1H101J CK73EB1E473K CK73EB1E104K	CYLND CHIP C 820PF M CHIP C 2700PF K CHIP C 100PF J CHIP C 0.047UF K CHIP C 0.10UF K		
C36 C37 C101 C102 C103,104			CK73FB1E223K CK41FY1E102M CK73EF1C105Z CK73FB1H103K CK41FY1E102M	CHIP C 0.022UF K CYLND CHIP C 1000PF M CHIP C 1.0UF Z CHIP C 0.010UF K CYLND CHIP C 1000PF M		
C105 C106 C107 C109-112 C113			CK73EF1C105Z CK73FB1E223K CE04CW1A101M CK41FY1E102M CK73FB1E223K	CHIP C 1.0UF Z CHIP C 0.022UF K ELECTRO 100UF 10WV CYLND CHIP C 1000PF M CHIP C 0.022UF K		
C114-117 C118,119 C120,121 C122 C123			CK41FY1E102M CK73FB1H103K CC73FCH1H330J CK41FY1E102M CK73FB1E223K	CYLND CHIP C 1000PF M CHIP C 0.010UF K CHIP C 33PF J CYLND CHIP C 1000PF M CHIP C 0.022UF K		
C124			CK73FB1H102K	CHIP C 1000PF K		
CN1 CN2 CN3 CN4 CN5 ,6		*	E40-3264-05 E40-3263-05 E40-3264-05 E40-3263-05 E40-5154-05	PIN CONNECTOR (6P) PIN CONNECTOR (5P) PIN CONNECTOR (6P) PIN CONNECTOR (5P) FLAT CABLE CONNECTOR (12P)		

E: Scandinavia & Europe K: USA P: Canada W: Europe

U: PX(Far East, Hawaii) T: England M: Other Areas

UE: AAFES(Europe) X: Australia

▲ indicates safety critical components.

PARTS LIST

× New Parts

Parts without Parts No. are not supplied.

Les articles non mentionnés dans le Parts No. ne sont pas fournis.

Telle ohne Parts No. werden nicht geliefert.

Ref. No. 参照番号	Address 位置	New Parts 新	Parts No. 部品番号	Description 部品名 / 規格	Desti- nation 仕向	Re- marks 備考
CN101, 102		*	E40-5154-05	FLAT CABLE CONNECTOR (12P)		
J101			E06-0858-15	CYLINDRICAL RECEPTACLE (MIC)		
W1		*	E31-3354-05	CONNECTING WIRE (2P)		
W2		*	E31-3355-05	CONNECTING WIRE (5P)		
W3		*	E31-3356-05	CONNECTING WIRE (6P)		
W4		*	E31-3357-05	CONNECTING WIRE (5P)		
W5		*	E31-3358-05	CONNECTING WIRE (8P)		
W6		*	E31-3359-05	CONNECTING WIRE (3P)		
W7		*	E31-3360-05	CONNECTING WIRE (CTCSS)		
W101		*	E31-3361-05	CONNECTING WIRE (5P)		
W201		*	E31-3362-05	CONNECTING WIRE (6P)		
A1		*	J30-0552-04	SPACER		
X1			L77-1333-05	CRYSTAL RESONATOR (4.194304MHZ)		
R1			RK73FB2A471J	CHIP R 470 J 1/10W		
R2			RK73FB2A103J	CHIP R 10K J 1/10W		
R3 ,4			RK73EB2B102J	CHIP R 1.0K J 1/8W		
R5			R92-0679-05	CHIP R 0 OHM		
R6			RK73FB2A102J	CHIP R 1.0K J 1/10W		
R7			RK73FB2A473J	CHIP R 47K J 1/10W		
R8			RK73FB2A333J	CHIP R 33K J 1/10W		
R9			RK73FB2A473J	CHIP R 47K J 1/10W		
R10 ,11			RK73FB2A104J	CHIP R 100K J 1/10W		
R12			RK73FB2A392J	CHIP R 3.9K J 1/10W		
R13			RK73FB2A103J	CHIP R 10K J 1/10W		
R14			RK73FB2A104J	CHIP R 100K J 1/10W		
R15			R92-0670-05	CHIP R 0 OHM		
R16			R92-0679-05	CHIP R 0 OHM		
R17			R92-0670-05	CHIP R 0 OHM		
R18 ,19			R92-0679-05	CHIP R 0 OHM		
R20 ,21			RK73FB2A472J	CHIP R 4.7K J 1/10W		
R22			RK73FB2A561J	CHIP R 560 J 1/10W		
R23			RK73FB2A103J	CHIP R 10K J 1/10W		
R24			RK73FB2A222J	CHIP R 2.2K J 1/10W		
R26 -28			R92-0670-05	CHIP R 0 OHM		
R29			RK73FB2A102J	CHIP R 1.0K J 1/10W		
R30			RK73FB2A392J	CHIP R 3.9K J 1/10W		
R31			RK73FB2A152J	CHIP R 1.5K J 1/10W		
R32			RK73FB2A103J	CHIP R 10K J 1/10W		
R33			RK73FB2A334J	CHIP R 330K J 1/10W		
R34			RK73FB2A561J	CHIP R 560 J 1/10W		
R35			RK73FB2A223J	CHIP R 22K J 1/10W		
R36			RK73FB2A683J	CHIP R 68K J 1/10W		
R37			RK73FB2A474J	CHIP R 470K J 1/10W		
R38			RK73FB2A393J	CHIP R 39K J 1/10W		
R39			RK73FB2A101J	CHIP R 100 J 1/10W		
R40			RK73FB2A184J	CHIP R 180K J 1/10W		
R41			RK73FB2A224J	CHIP R 220K J 1/10W		
R42			RK73FB2A473J	CHIP R 47K J 1/10W		
R43			RK73FB2A333J	CHIP R 33K J 1/10W		
R44			RK73FB2A473J	CHIP R 47K J 1/10W		
R45			RK73FB2A224J	CHIP R 220K J 1/10W		
R46			RK73FB2A334J	CHIP R 330K J 1/10W		
R47 -49			RK73FB2A823J	CHIP R 82K J 1/10W		

E: Scandinavia & Europe K: USA P: Canada W: Europe

U: PX(Far East, Hawaii) T: England M: Other Areas

UE: AAFES(Europe) X: Australia

⚠ indicates safety critical components.

PARTS LIST

× New Parts

Parts without Parts No. are not supplied.

Les articles non mentionnés dans le Parts No. ne sont pas fournis.

Telle ohne Parts No. werden nicht geliefert.

Ref. No. 参照番号	Address 位置	New Parts 新	Parts No. 部品番号	Description 部品名 / 規格	Desti- nation 仕向	Re- marks 備考
R50 .51			RK73FB2A103J	CHIP R 10K J 1/10W		
R53			RK73FB2A474J	CHIP R 470K J 1/10W		
R54			RK73FB2A472J	CHIP R 4.7K J 1/10W		
R55			RK73FB2A104J	CHIP R 100K J 1/10W		
R56			RK73FB2A124J	CHIP R 120K J 1/10W		
R57 .58			R92-0150-05	JUMPER REST 0 OHM		
R59			RK73FB2A104J	CHIP R 100K J 1/10W		
R101			RK73FB2A474J	CHIP R 470K J 1/10W		
R102			RK73FB2A103J	CHIP R 10K J 1/10W		
R104			RK73FB2A474J	CHIP R 470K J 1/10W		
R105			RK73FB2A473J	CHIP R 47K J 1/10W		
R106,107			RK73FB2A561J	CHIP R 560 J 1/10W		
R108-117			RK73FB2A473J	CHIP R 47K J 1/10W		
R118			R92-0670-05	CHIP R 0 OHM		
R120			RK73FB2A473J	CHIP R 47K J 1/10W		
R121-123			R92-0670-05	CHIP R 0 OHM		
R126			R92-0679-05	CHIP R 0 OHM		
R127			RK73FB2A102J	CHIP R 1.0K J 1/10W		
R128			RK73FB2A473J	CHIP R 47K J 1/10W		
R129-131			RK73FB2A102J	CHIP R 1.0K J 1/10W		
R132-137			RK73FB2A473J	CHIP R 47K J 1/10W		
R138,139			R92-0670-05	CHIP R 0 OHM		
R140			RK73FB2A103J	CHIP R 10K J 1/10W		
R141			RK73FB2A563J	CHIP R 56K J 1/10W		
VR101		*	R13-4403-05	SLIDE TYPE PØT(50KB CENTER)		
VR102		*	R13-4402-05	SLIDE TYPE PØT(50KB)		
VR201		*	R23-9405-05	PØTENTIØMETER		
S101-115			S40-1086-05	TACT SWITCH		
S116			S31-1409-05	SLIDE SWITCH		
D1			DAN202(K)	DIØDE		
D2			O2CZ11Y	ZENER DIØDE		
D3			O2CZ8.2Y	ZENER DIØDE		
D101,102			1SS226	DIØDE		
			1SS184	DIØDE		
D103			RLS73	DIØDE		
D104			1SS184	DIØDE		
IC1			MN4066BS	IC(QUAD ANALØG SWITCH)		
IC2			LC7532M	IC(BILATERAL SWITCH)		
IC3 .4			MN4094BS	IC(8BIT SHIFT,STØRE BASS R)		
IC5 .6			NJM4558M	IC(OP AMP X2)		
IC7			UPC78M08H	IC(VØLTAGE REGULATØR/ +8V)		
IC102			LA5006M	IC(LOW SATURATION REGULATØR)		
IC103		*	751086-644-1B	IC(MICRØPRØCESSØR)		
IC104			KRR-CØØ1	IC(CHIP NETWORK)		
Q1			2SC2712(Y)	TRANSISTØR		
Q2			2SC3419(Y)	TRANSISTØR		
Q3 .4			DTC114EK	DIGITAL TRANSISTØR		
Q5 .6			DTA114EK	DIGITAL TRANSISTØR		
Q7			DTC114EK	DIGITAL TRANSISTØR		
Q8			DTC114TK	DIGITAL TRANSISTØR		
Q9 .10			DTC114EK	DIGITAL TRANSISTØR		
Q11			DTA114EK	DIGITAL TRANSISTØR		
Q12			2SC2712(Y)	TRANSISTØR		
Q13 .14			DTC114EK	DIGITAL TRANSISTØR		

E: Scandinavia & Europe K: USA P: Canada W: Europe

U: PX(Far East, Hawaii) T: England M: Other Areas

UE: AAFES(Europe) X: Australia

⚠ indicates safety critical components.

PARTS LIST

× New Parts

Parts without Parts No. are not supplied.

Les articles non mentionnés dans le Parts No. ne sont pas fournis.

Teile ohne Parts No. werden nicht geliefert.

Ref. No. 参照番号	Address 位置	New Parts 新	Parts No. 部品番号	Description 部品名 / 規格	Desti- nation 仕向	Re- marks 備考
Q101, 102			2SC2712(Y)	TRANSISTOR		
S117			WD2-0388-05	ENCODER		
S118		*	WD2-0810-05	ENCODER		
144 MHz TX-RX UNIT (X57-3230-11)						
C6			CC73FCH1H470J	CHIP C 47PF	J	
C7			CC41FCH1H120J	CYLND CHIP C 12PF	J	
C8 ,9			CK41FY1E102M	CYLND CHIP C 1000PF	M	
C10			CK73FB1H103K	CHIP C 0.010UF	K	
C11			CK41FY1E102M	CYLND CHIP C 1000PF	M	
C12			CC73FCH1H470J	CHIP C 47PF	J	
C13			CK73FB1H103K	CHIP C 0.010UF	K	
C14			CC41FCH1HOR5C	CYLND CHIP C 0.5PF	C	
C15			CC73FCH1H470J	CHIP C 47PF	J	
C16			CC41FCH1HOR5C	CYLND CHIP C 0.5PF	C	
C17			CC73FCH1H680J	CHIP C 68PF	J	
C18			CK73FB1H103K	CHIP C 0.010UF	K	
C19			CC41FCH1H040C	CYLND CHIP C 4.0PF	C	
C20			CC41FCH1H030C	CYLND CHIP C 3.0PF	C	
C21 ,22			CK41FY1E102M	CYLND CHIP C 1000PF	M	
C23			CK73FB1H103K	CHIP C 0.010UF	K	
C24			CC41FCH1H070D	CYLND CHIP C 7.0PF	D	
C25			CC73FSL1H101J	CHIP C 100PF	J	
C26 -28			CK41FY1E102M	CYLND CHIP C 1000PF	M	
C29			CC73FSL1H101J	CHIP C 100PF	J	
C30			CC73FCH1H560J	CHIP C 56PF	J	
C31 ,32			CK73EB1E104K	CHIP C 0.10UF	K	
C33			CK41FY1E102M	CYLND CHIP C 1000PF	M	
C34			CK73EB1E104K	CHIP C 0.10UF	K	
C35			CK73FB1E223K	CHIP C 0.022UF	K	
C36 -38			CK73FB1H103K	CHIP C 0.010UF	K	
C40			CE04CW1C470M	ELECTRØ 47UF	16WV	
C41			CK73EB1E104K	CHIP C 0.10UF	K	
C42			C92-0003-05	CHIP TAN 0.47UF	25WV	
C43 ,44			CK41FY1E102M	CYLND CHIP C 1000PF	M	
C45			CK73FB1E223K	CHIP C 0.022UF	K	
C46			CK41FY1E102M	CYLND CHIP C 1000PF	M	
C47			CK73FB1H471K	CHIP C 470PF	K	
C48			CK73FB1H103K	CHIP C 0.010UF	K	
C49			CE04CW1C470M	ELECTRØ 47UF	16WV	
C50			C92-2083-05	ELECTRØ 22UF	6.3WV	
C51			C92-0004-05	CHIP TAN 1UF	16WV	
C52			CE04CW1C470M	ELECTRØ 47UF	16WV	
C53			CK41FY1E102M	CYLND CHIP C 1000PF	M	
C54			CC73FSL1H101J	CHIP C 100PF	J	
C55			CK41FY1E102M	CYLND CHIP C 1000PF	M	
C56			CQ92M1H104K	MYLAR 0.10UF	K	
C57			CK41FY1E102M	CYLND CHIP C 1000PF	M	
C58 ,59			CE04EW1C471M	ELECTRØ 470UF	16WV	
C60			CE04CW1E4R7M	ELECTRØ 4.7UF	25WV	
C61 ,62			C92-0504-05	CHIP-TAN 0.68UF	20WV	
C63			C92-0004-05	CHIP TAN 1UF	16WV	
C64			CK41FY1E102M	CYLND CHIP C 1000PF	M	
C65			CC41FCH1H150J	CYLND CHIP C 15PF	J	
C66			CC73FSL1H101J	CHIP C 100PF	J	

E: Scandinavia & Europe K: USA P: Canada W: Europe

U: PX(Far East, Hawaii) T: England M: Other Areas

UE: AAFES(Europe) X: Australia

⚠ indicates safety critical components.

PARTS LIST

※ New Parts

Parts without Parts No. are not supplied.

Les articles non mentionnés dans le Parts No. ne sont pas fournis.

Telle ohne Parts No. werden nicht geliefert.

Ref. No. 参照番号	Address 位置	New Parts 新	Parts No. 部品番号	Description 部品名 / 規格	Desti- nation 仕 向	Re- marks 備考
C67			CC73FSL1H221J	CHIP C 220PF J		
C68			CK73FB1H103K	CHIP C 0.010UF K		
C69			CK41FY1E102M	CYLND CHIP C 1000PF M		
C70			CC41FCH1H050C	CYLND CHIP C 5.0PF C		
C71 ,72			CK41FY1E102M	CYLND CHIP C 1000PF M		
C73			C92-0004-05	CHIP TAN 1UF 16WV		
C74			CK41FY1E102M	CYLND CHIP C 1000PF M		
C75 -79			CK73FB1H103K	CHIP C 0.010UF K		
C78			CK41FY1E102M	CYLND CHIP C 1000PF M		
C80			CK41FY1E102M	CYLND CHIP C 1000PF M		
C81			CK73FB1H103K	CHIP C 0.010UF K		
C82 ,83			CK41FY1E102M	CYLND CHIP C 1000PF M		
C84			CE04EW1C470M	ELECTRØ 47UF 16WV		
C85			CK41FY1E102M	CYLND CHIP C 1000PF M		
C86 -88			CC73FSL1H101J	CHIP C 100PF J		
C89			CC41FCH1H030C	CYLND CHIP C 3.0PF C		
C90			CE04EW1A221M	ELECTRØ 220UF 10WV		
C91 ,92			CK41FY1E102M	CYLND CHIP C 1000PF M		
C93			CE04EW1E101M	ELECTRØ 100UF 25WV		
C94			CK73FB1H471K	CHIP C 470PF K		
C95			CK41FY1E102M	CYLND CHIP C 1000PF M		
C96			CK73FB1H471K	CHIP C 470PF K		
C97 ,98			CK41FY1E102M	CYLND CHIP C 1000PF M		
C99			CC41FCH1H120J	CYLND CHIP C 12PF J		
C100			CE04CW1E100M	ELECTRØ 10UF 25WV		
C101			CK73FB1H471K	CHIP C 470PF K		
C102,103			CK41FY1E102M	CYLND CHIP C 1000PF M		
C104			CK73FB1H471K	CHIP C 470PF K		
C105			CK41FY1E102M	CYLND CHIP C 1000PF M		
C106			CC41FCH1H220J	CYLND CHIP C 22PF J		
C107-111			CK41FY1E102M	CYLND CHIP C 1000PF M		
C139			CC41FCH1H100D	CYLND CHIP C 10PF D		
TC1			CO5-0346-05	TRIMMING CAP		
CN2			E40-3247-05	PIN CONNECTØR (3P)		
CN3			E40-3246-05	PIN CONNECTØR (2P)		
CN4			E40-3249-05	PIN CONNECTØR (5P)		
CN5			E40-0273-05	PIN CONNECTØR (2P)		
CN6			E40-3250-05	PIN CONNECTØR (6P)		
CN7			E40-3246-05	PIN CONNECTØR (2P)		
CN8			E40-3248-05	PIN CONNECTØR (4P)		
CN9			E40-3246-05	PIN CONNECTØR (2P)		
TP1 ,2			E23-0465-05	TERMINAL		
CF1			L72-0315-05	CERAMIC FILTER (CFW455F)		
L6			L34-0956-05	CØIL		
L7 ,8			L34-2208-05	TUNING CØIL		
L9			L34-4015-05	CØIL (455KHZ)		
L10			L33-0695-05	CHØKE CØIL (1MH)		
L11			L40-3982-81	SMALL FIXED INDUCTØR(0.39UH)		
L12			L40-6872-80	SMALL FIXED INDUCTØR(68NH)		
L12 -15			L34-4080-05	CØIL		
L13			L40-1081-80	SMALL FIXED INDUCTØR(100NH)		
L14			L40-3972-80	SMALL FIXED INDUCTØR(39NH)		
X1			L77-1369-05	CRYSTAL RESØNATØR(17.355MHZ)		
X2			L77-1311-05	CRYSTAL RESØNATØR(12.8MHZ)		

E: Scandinavia & Europe K: USA P: Canada W: Europe

U: PX(Far East, Hawaii) T: England M: Other Areas

UE: AAFES(Europe) X: Australia

⚠ indicates safety critical components.

PARTS LIST

× New Parts

Parts without Parts No. are not supplied.

Les articles non mentionnés dans le Parts No. ne sont pas fournis.

Teile ohne Parts No. werden nicht geliefert.

Ref. No. 参照番号	Address 位置	New Parts 新	Parts No. 部品番号	Description 部品名 / 規格	Desti- nation 仕向	Re- marks 備考
XF1			L71-0279-05	MCFC (16.9MHZ)		
R6			RK73FB2A103J	CHIP R 10K J 1/10W		
R7			RK73FB2A274J	CHIP R 270K J 1/10W		
R8			RK73FB2A101J	CHIP R 100 J 1/10W		
R9			RK73FB2A103J	CHIP R 10K J 1/10W		
R10			RK73FB2A101J	CHIP R 100 J 1/10W		
R11 -14			RK73FB2A104J	CHIP R 100K J 1/10W		
R15			RK73FB2A102J	CHIP R 1.0K J 1/10W		
R16 ,17			RK73FB2A473J	CHIP R 47K J 1/10W		
R18			RK73FB2A470J	CHIP R 47 J 1/10W		
R19			RK73FB2A274J	CHIP R 270K J 1/10W		
R22			RK73FB2A222J	CHIP R 2.2K J 1/10W		
R23			RK73FB2A332J	CHIP R 3.3K J 1/10W		
R24			R92-0670-05	CHIP R 0 OHM		
R25			RK73FB2A101J	CHIP R 100 J 1/10W		
R26			RK73FB2A222J	CHIP R 2.2K J 1/10W		
R27			RK73FB2A334J	CHIP R 330K J 1/10W		
R28			RK73FB2A102J	CHIP R 1.0K J 1/10W		
R29			RK73FB2A683J	CHIP R 68K J 1/10W		
R31			RK73FB2A333J	CHIP R 33K J 1/10W		
R32			RK73FB2A332J	CHIP R 3.3K J 1/10W		
R33			RK73FB2A682J	CHIP R 6.8K J 1/10W		
R34			RK73FB2A334J	CHIP R 330K J 1/10W		
R35			RK73FB2A392J	CHIP R 3.9K J 1/10W		
R36			RK73FB2A334J	CHIP R 330K J 1/10W		
R37			RK73FB2A392J	CHIP R 3.9K J 1/10W		
R38			RK73FB2A331J	CHIP R 330 J 1/10W		
R39			RK73FB2A103J	CHIP R 10K J 1/10W		
R43			RK73FB2A333J	CHIP R 33K J 1/10W		
R44			RK73FB2A103J	CHIP R 10K J 1/10W		
R45			RK73FB2A473J	CHIP R 47K J 1/10W		
R46			RK73FB2A223J	CHIP R 22K J 1/10W		
R47			RK73FB2A334J	CHIP R 330K J 1/10W		
R48			RK73FB2A223J	CHIP R 22K J 1/10W		
R49			RK73FB2A473J	CHIP R 47K J 1/10W		
R50 ,51			RK73FB2A103J	CHIP R 10K J 1/10W		
R52 ,53			RK73FB2A182J	CHIP R 1.8K J 1/10W		
R54			RK73FB2A103J	CHIP R 10K J 1/10W		
R55 ,56			RK73FB2A473J	CHIP R 47K J 1/10W		
R57			RK73FB2A103J	CHIP R 10K J 1/10W		
R58			RK73FB2A223J	CHIP R 22K J 1/10W		
R59			RK73FB2A222J	CHIP R 2.2K J 1/10W		
R60			RK73FB2A101J	CHIP R 100 J 1/10W		
R61			RK73FB2A334J	CHIP R 330K J 1/10W		
R62			RK73FB2A222J	CHIP R 2.2K J 1/10W		
R63			RK73FB2A101J	CHIP R 100 J 1/10W		
R64			RK73FB2A270J	CHIP R 27 J 1/10W		
R65			RK73FB2A222J	CHIP R 2.2K J 1/10W		
R66			RK73FB2A101J	CHIP R 100 J 1/10W		
R67			RK73FB2A102J	CHIP R 1.0K J 1/10W		
R69			R92-0679-05	CHIP R 0 OHM		
R71 -73			RK73FB2A103J	CHIP R 10K J 1/10W		
R74			RK73FB2A223J	CHIP R 22K J 1/10W		
R75 ,76			RK73FB2A101J	CHIP R 100 J 1/10W		

E: Scandinavia & Europe K: USA P: Canada W: Europe

U: PX(Far East, Hawaii) T: England M: Other Areas

UE: AAFES(Europe) X: Australia

 indicates safety critical components.

PARTS LIST

× New Parts

Parts without Parts No. are not supplied.

Les articles non mentionnés dans le Parts No. ne sont pas fournis.

Telle ohne Parts No. werden nicht geliefert.

Ref. No. 参照番号	Address 位置	New Parts 新	Parts No. 部品番号	Description 部品名 / 規格	Desti- nation 仕向	Re- marks 備考
R77			RK73FB2A222J	CHIP R 2.2K J 1/10W		
R78			RK73FB2A102J	CHIP R 1.0K J 1/10W		
R79			RK73FB2A223J	CHIP R 22K J 1/10W		
R80			RK73FB2A472J	CHIP R 4.7K J 1/10W		
R81			RK73FB2A680J	CHIP R 68 J 1/10W		
R82			RK73FB2A101J	CHIP R 100 J 1/10W		
R84			RK73FB2A152J	CHIP R 1.5K J 1/10W		
R85			RK73FB2A470J	CHIP R 47 J 1/10W		
R86			RK73FB2A100J	CHIP R 10 J 1/10W		
R88	-90		R92-0670-05	CHIP R 0 0HM		
R91			RK73FB2A472J	CHIP R 4.7K J 1/10W		
R92			RK73FB2A103J	CHIP R 10K J 1/10W		
R93			RK73FB2A104J	CHIP R 100K J 1/10W		
R120			RK73FB2A221J	CHIP R 220 J 1/10W		
VR1			R12-5424-05	TRIMMING P0T. (220K)		
VR2			R12-0439-05	TRIMMING P0T. (470)		
VR3			R12-3458-05	TRIMMING P0T. (10K)		
D4	-6		1SV164	CHIP DI0DE		
D7			1SV166	CHIP DI0DE		
D8			1SV164	CHIP DI0DE		
D9			1SS184	CHIP DI0DE		
D10			HSM88AS	CHIP DI0DE		
D11	-14		1SS184	CHIP DI0DE		
D15			02CZ6.2(X,Y)	ZENER DI0DE (6.2V)		
D16			1SS268	DI0DE		
D17			1SS181	CHIP DI0DE		
D18			02CZ4.3(X,Y)	ZENER DI0DE (4.3V)		
IC1			MC3361D	IC(FM IF SYSTEM)		
IC2			MB3713	IC(AF POWER AMP)		
Q1			3SK184(S)	CHIP FET		
Q2			3SK179(L)	CHIP FET		
Q3			2SC2714(Y)	CHIP TRANSIST0R		
Q4	.5		2SC2712(Y)	CHIP TRANSIST0R		
Q6			DTC144EK	DIGITAL TRANSIST0R		
Q7	-9		2SC2712(Y)	CHIP TRANSIST0R		
Q10	.11		2SB1119S	CHIP TRANSIST0R		
Q12			DTC144EK	DIGITAL TRANSIST0R		
Q13	.14		2SC2714(Y)	CHIP TRANSIST0R		
Q15			2SC2712(Y)	CHIP TRANSIST0R		
Q17			2SC3326(A)	CHIP TRANSIST0R		
Q18	.19		2SC2714(Y)	CHIP TRANSIST0R		
Q20			2SC2954	CHIP TRANSIST0R		
Q21			2SK208(0)	CHIP FET		
TH1			112-501-2	THERMIST0R (500 0HM)		
IC3			WD2-0818-05	DC-DC CONVERTER		
			X58-3340-11	SUB UNIT (VCO)		
220 MHz TX-RX UNIT (X57-3280-10)						
C16			CK73FB1H102K	CHIP C 1000PF K		
C21			CC73FCH1H060D	CHIP C 6.0PF D		
C22			CK73FB1H471K	CHIP C 470PF K		
C23	-25		CK73FB1H102K	CHIP C 1000PF K		
C26			CC73FCH1H100D	CHIP C 10PF D		

E: Scandinavia & Europe K: USA P: Canada W: Europe

U: PX(Far East, Hawaii) T: England M: Other Areas

UE: AAFES(Europe) X: Australia

▲ indicates safety critical components.

PARTS LIST

× New Parts

Parts without Parts No. are not supplied.

Les articles non mentionnés dans le Parts No. ne sont pas fournis.


Telle ohne Parts No. werden nicht geliefert.

Ref. No. 参照番号	Address 位置	New Parts 新	Parts No. 部品番号	Description 部品名 / 規格	Desti- nation 仕向	Re- marks 備考
C27			CK73FB1H102K	CHIP C 1000PF K		
C28			CC73FCH1H390J	CHIP C 39PF J		
C29			CK73FB1E223K	CHIP C 0.022UF K		
C30	-32		CK73EB1E104K	CHIP C 0.10UF K		
C33			CK73FB1H102K	CHIP C 1000PF K		
C34			CE04EW1C470M	ELECTR0 47UF 16WV		
C35	.36		CK73FB1H103K	CHIP C 0.010UF K		
C37			CK73EB1E104K	CHIP C 0.10UF K		
C38			CK73FB1H103K	CHIP C 0.010UF K		
C39			C92-0003-05	CHIP TAN 0.47UF 25WV		
C40			CK73FB1H102K	CHIP C 1000PF K		
C41			CE04EW1C470M	ELECTR0 47UF 16WV		
C42			CK73FB1H102K	CHIP C 1000PF K		
C43	.44		CE04EW1C470M	ELECTR0 47UF 16WV		
C45			CK73EB1E104K	CHIP C 0.10UF K		
C46			CK73FB1H102K	CHIP C 1000PF K		
C47			C92-0005-05	CHIP-TAN 2.2UF 6.3WV		
C48			CK73FB1H102K	CHIP C 1000PF K		
C49			CK73EB1E104K	CHIP C 0.10UF K		
C50			CE04EW1C470M	ELECTR0 47UF 16WV		
C51			C92-0005-05	CHIP-TAN 2.2UF 6.3WV		
C52	-55		CK73FB1H102K	CHIP C 1000PF K		
C56			CE04EW1C470M	ELECTR0 47UF 16WV		
C57			CK73EB1E104K	CHIP C 0.10UF K		
C58			CK73FB1E223K	CHIP C 0.022UF K		
C59	.60		CE04EW1C220M	ELECTR0 22UF 16WV		
C61			CE04EW1A101M	ELECTR0 100UF 10WV		
C62	.63		CK73EB1H153K	CHIP C 0.015UF K		
C64	.65		C92-0005-05	CHIP-TAN 2.2UF 6.3WV		
C66			CK73FB1E223K	CHIP C 0.022UF K		
C67			CE04EW1C470M	ELECTR0 47UF 16WV		
C68	.69		CK73FB1H102K	CHIP C 1000PF K		
C70			CK73EB1H103K	CHIP C 0.010UF K		
C72			CE04EW1H2R2M	ELECTR0 2.2UF 50WV		
C74			CK73FB1H102K	CHIP C 1000PF K		
C75			C92-0004-05	CHIP TAN 1UF 16WV		
C76			CK73FB1H102K	CHIP C 1000PF K		
C77	.78		CK73FB1H103K	CHIP C 0.010UF K		
C79			CE04EW1C470M	ELECTR0 47UF 16WV		
C80	.81		CK73FB1H102K	CHIP C 1000PF K		
C82	.83		CE04EW1A221M	ELECTR0 220UF 10WV		
C84			C92-0004-05	CHIP TAN 1UF 16WV		
C85			CK73FB1H103K	CHIP C 0.010UF K		
C87			CK73FB1H102K	CHIP C 1000PF K		
C88	-90		CC73FSL1H101J	CHIP C 100PF J		
C91			CK73FB1H102K	CHIP C 1000PF K		
C92			CC73FCH1H030C	CHIP C 3.0PF C		
C93			CK73FB1H102K	CHIP C 1000PF K		
C94			CC73FCH1H100D	CHIP C 10PF D		
C95	.96		C92-0504-05	CHIP-TAN 0.68UF 20WV		
C97	-124		CK73FB1H102K	CHIP C 1000PF K		
C103			CE04CW1C470M	ELECTR0 47UF 16WV		
C119			CE04EW1C101M	ELECTR0 100UF 16WV		
C121			C90-2040-05	ELECTR0 10UF 16WV		
C126			CC73FCH1H220J	CHIP C 22PF J		

E: Scandinavia & Europe K: USA P: Canada W: Europe

U: PX(Far East, Hawaii) T: England M: Other Areas

UE: AAFES(Europe) X: Australia

 indicates safety critical components.

PARTS LIST

× New Parts

Parts without Parts No. are not supplied.

Les articles non mentionnes dans le Parts No. ne sont pas fournis.

Telle ohne Parts No. werden nicht geliefert.

Ref. No. 参照番号	Address 位置	New Parts 新	Parts No. 部品番号	Description 部品名 / 規格	Desti- nation 仕向	Re- marks 備考
C127			CK73FB1H102K	CHIP C 1000PF K		
C128			CE04EW1C100M	ELECTRØ 10UF 16WV		
C129,130			CK73FB1H102K	CHIP C 1000PF K		
C131			CC73FCH1H220J	CHIP C 22PF J		
C132,133			CK73FB1H102K	CHIP C 1000PF K		
C134			CC73FCH1H180J	CHIP C 18PF J		
C135,136			CK73FB1H102K	CHIP C 1000PF K		
C137			CE04EW1C100M	ELECTRØ 10UF 16WV		
C138			CC73FCH1H050C	CHIP C 5.0PF C		
C139			CK73FB1H102K	CHIP C 1000PF K		
C140			CE04EW1C470M	ELECTRØ 47UF 16WV		
C141,142			CK73FB1H102K	CHIP C 1000PF K		
C143			CK73FB1H103K	CHIP C 0.010UF K		
C144			CC73FCH1H100D	CHIP C 10PF D		
C150			CK73FB1H102K	CHIP C 1000PF K		
C151			CC73FCH1H180J	CHIP C 18PF J		
C152			CC73FCH1H150J	CHIP C 15PF J		
C153,154			CK73FB1H102K	CHIP C 1000PF K		
C155			CK73FB1H103K	CHIP C 0.010UF K		
C156			CK73FB1H102K	CHIP C 1000PF K		
C157			CC73FCH1H030C	CHIP C 3.0PF C		
C158			CC73FCH1H120J	CHIP C 12PF J		
C159			CC73FCH1H0R5C	CHIP C 0.5PF C		
C160			CC73FCH1H030C	CHIP C 3.0PF C		
C161			CC73FCH1H120J	CHIP C 12PF J		
C162			CC73FCH1H0R5C	CHIP C 0.5PF C		
C163			CK73FB1H103K	CHIP C 0.010UF K		
C164			CC73FCH1H030C	CHIP C 3.0PF C		
C165			CC73FCH1H120J	CHIP C 12PF J		
C166			CC73FCH1H100D	CHIP C 10PF D		
C167			CC73FCH1H010C	CHIP C 1.0PF C		
C168			CK73FB1H102K	CHIP C 1000PF K		
C169			CK73FB1H103K	CHIP C 0.010UF K		
C170			CC73FCH1H100D	CHIP C 10PF D		
C172			CK73FB1H102K	CHIP C 1000PF K		
CN1			E04-0157-05	RF COAXIAL CABLE RECEPTACLE		
CN2			E40-3246-05	PIN CONNECTØR (2P)		
CN3			E40-3249-05	PIN CONNECTØR (5P)		
CN4			E40-3252-05	PIN CONNECTØR (8P)		
CN5			E40-3247-05	PIN CONNECTØR (3P)		
CN6			E40-3249-05	PIN CONNECTØR (5P)		
CN7			E40-3246-05	PIN CONNECTØR (2P)		
CN8			E04-0157-05	RF COAXIAL CABLE RECEPTACLE		
CN9			E40-3250-05	PIN CONNECTØR (6P)		
CN10			E40-3249-05	PIN CONNECTØR (5P)		
CN11			E40-3250-05	PIN CONNECTØR (6P)		
TP2 ,3			E23-0465-05	TERMINAL		
CF1			L72-0315-05	CERAMIC FILTER 455KHZ(CFW455F)		
L8			L34-2157-05	COIL		
L9			L34-2045-05	COIL		
L10			L40-1092-81	SMALL FIXED INDUCTØR		
L11			L34-4015-05	COIL		
L12			L40-6872-80	SMALL FIXED INDUCTØR		
L15			L40-3372-80	SMALL FIXED INDUCTØR		

E: Scandinavia & Europe K: USA P: Canada W: Europe

U: PX(Far East, Hawaii) T: England M: Other Areas

UE: AAFES(Europe) X: Australia

▲ indicates safety critical components.

PARTS LIST

× New Parts

Parts without Parts No. are not supplied.

Les articles non mentionnés dans le Parts No. ne sont pas fournis.


Teile ohne Parts No. werden nicht geliefert.

Ref. No. 参照番号	Address 位置	New Parts 新	Parts No. 部品番号	Description 部品名 / 規格	Desti- nation 仕向	Re- marks 備考
L16 L17 L18 L19 L150-153		*	L40-1072-80 L34-1025-05 L34-1058-05 L40-2281-80 L34-4103-05	SMALL FIXED INDUCTOR COIL SMALL FIXED INDUCTOR COIL		
L154 X1 XF1		*	L34-4104-05 L77-1312-05 L71-0270-05	COIL CRYSTAL RESONATOR 30.37MHZ MCF 30.825MHZ		
R13 R14 R15 R16 R17			RK73FB2A332J RK73FB2A470J RK73FB2A222J RK73FB2A332J R92-0670-05	CHIP R 3.3K J 1/10W CHIP R 47 J 1/10W CHIP R 2.2K J 1/10W CHIP R 3.3K J 1/10W CHIP R 0 OHM		
R18 R19 R20 R22 R23			RK73FB2A222J RK73FB2A224J RK73FB2A102J RK73FB2A683J RK73FB2A103J	CHIP R 2.2K J 1/10W CHIP R 220K J 1/10W CHIP R 1.0K J 1/10W CHIP R 68K J 1/10W CHIP R 10K J 1/10W		
R24 R25 R26 R27 R28			RK73FB2A333J RK73FB2A332J RK73FB2A682J RK73FB2A334J RK73FB2A392J	CHIP R 33K J 1/10W CHIP R 3.3K J 1/10W CHIP R 6.8K J 1/10W CHIP R 330K J 1/10W CHIP R 3.9K J 1/10W		
R29 R30 R31 R32 R33			RK73FB2A334J RK73FB2A392J RK73FB2A471J RK73FB2A103J RK73FB2A681J	CHIP R 330K J 1/10W CHIP R 3.9K J 1/10W CHIP R 470 J 1/10W CHIP R 10K J 1/10W CHIP R 680 J 1/10W		
R34 R35 R36 R37 R38			RK73FB2A471J RK73FB2A390J RK73FB2A471J RK73FB2A222J RK73FB2A102J	CHIP R 470 J 1/10W CHIP R 39 J 1/10W CHIP R 470 J 1/10W CHIP R 2.2K J 1/10W CHIP R 1.0K J 1/10W		
R39 R40 R41 R42 R43 ,44			R92-0670-05 RK73FB2A390J RK73FB2A222J RK73FB2A102J RK73FB2A332J	CHIP R 0 OHM CHIP R 39 J 1/10W CHIP R 2.2K J 1/10W CHIP R 1.0K J 1/10W CHIP R 3.3K J 1/10W		
R45 R46 ,47 R48 R49 R50			RK73FB2A821J RK73FB2A222J RK73FB2A223J RK73FB2A473J RK73FB2A223J	CHIP R 820 J 1/10W CHIP R 2.2K J 1/10W CHIP R 22K J 1/10W CHIP R 47K J 1/10W CHIP R 22K J 1/10W		
R51 R52 R53 R54 R55			RK73FB2A473J RK73FB2A102J RK73FB2A270J RK73FB2A222J RK73FB2A270J	CHIP R 47K J 1/10W CHIP R 1.0K J 1/10W CHIP R 27 J 1/10W CHIP R 2.2K J 1/10W CHIP R 27 J 1/10W		
R56 R57 ,58 R59 R60 R61 ,62			RK73FB2A152J RK73FB2A103J R92-0670-05 RK73FB2A103J R92-0679-05	CHIP R 1.5K J 1/10W CHIP R 10K J 1/10W CHIP R 0 OHM CHIP R 10K J 1/10W CHIP R 0 OHM		
R63			RK73FB2A223J	CHIP R 22K J 1/10W		

E: Scandinavia & Europe K: USA P: Canada W: Europe

U: PX(Far East, Hawaii) T: England M: Other Areas

UE: AAFES(Europe) X: Australia

 indicates safety critical components.

PARTS LIST

× New Parts

Parts without Parts No. are not supplied.

Les articles non mentionnés dans le Parts No. ne sont pas fournis.

Teile ohne Parts No. werden nicht geliefert.

Ref. No. 参照番号	Address 位置	New Parts 新	Parts No. 部品番号	Description 部品名 / 規格	Desti- nation 仕 向	Re- marks 備考
R64			RK73FB2A103J	CHIP R 10K J 1/10W		
R65 ,66			RK73FB2A101J	CHIP R 100 J 1/10W		
R67			RK73FB2A222J	CHIP R 2.2K J 1/10W		
R68			RK73FB2A103J	CHIP R 10K J 1/10W		
R69			RK73FB2A683J	CHIP R 68K J 1/10W		
R70			RK73FB2A473J	CHIP R 47K J 1/10W		
R72			R92-0670-05	CHIP R 0 ΩHM		
R74			R92-0670-05	CHIP R 0 ΩHM		
R75			R92-0679-05	CHIP R 0 ΩHM		
R76			RK73FB2A473J	CHIP R 47K J 1/10W		
R77			RK73FB2A331J	CHIP R 330 J 1/10W		
R79			R92-0679-05	CHIP R 0 ΩHM		
R80			RK73FB2A104J	CHIP R 100K J 1/10W		
R81			RK73FB2A102J	CHIP R 1.0K J 1/10W		
R82			RK73FB2A223J	CHIP R 22K J 1/10W		
R83			RK73FB2A472J	CHIP R 4.7K J 1/10W		
R84			RK73FB2A680J	CHIP R 68 J 1/10W		
R85			RK73FB2A101J	CHIP R 100 J 1/10W		
R86			RK73FB2A151J	CHIP R 150 J 1/10W		
R87			RK73FB2A152J	CHIP R 1.5K J 1/10W		
R88			RK73FB2A270J	CHIP R 27 J 1/10W		
R89			RK73FB2A151J	CHIP R 150 J 1/10W		
R90			RK73FB2A390J	CHIP R 39 J 1/10W		
R91 ,92			RK73FB2A151J	CHIP R 150 J 1/10W		
R93			RK73FB2A152J	CHIP R 1.5K J 1/10W		
R94			R92-0685-05	RD 22 J 1/2W		
R95			RK73FB2A472J	CHIP R 4.7K J 1/10W		
R96			R92-0670-05	CHIP R 0 ΩHM		
R97			RK73FB2A391J	CHIP R 390 J 1/10W		
R98			RK73FB2A105J	CHIP R 1.0M J 1/10W		
R99			R92-0670-05	CHIP R 0 ΩHM		
R100			RK73FB2A221J	CHIP R 220 J 1/10W		
R101			RK73FB2A104J	CHIP R 100K J 1/10W		
R150			RK73FB2A333J	CHIP R 33K J 1/10W		
R151			RK73FB2A274J	CHIP R 270K J 1/10W		
R152			RK73FB2A101J	CHIP R 100 J 1/10W		
R153			RK73FB2A103J	CHIP R 10K J 1/10W		
R154			RK73FB2A101J	CHIP R 100 J 1/10W		
R155-157			RK73FB2A104J	CHIP R 100K J 1/10W		
R158			RK73FB2A102J	CHIP R 1.0K J 1/10W		
R159			RK73FB2A473J	CHIP R 47K J 1/10W		
R160			RK73FB2A104J	CHIP R 100K J 1/10W		
R161			RK73FB2A333J	CHIP R 33K J 1/10W		
R162			RK73FB2A470J	CHIP R 47 J 1/10W		
R163			RK73FB2A274J	CHIP R 270K J 1/10W		
R164			RK73FB2A221J	CHIP R 220 J 1/10W		
R165			R92-0670-05	CHIP R 0 ΩHM		
VR1			R12-5424-05	TRIMMING PØT. (100K)		
VR2			R12-0439-05	TRIMMING PØT. (470)		
VR3			R12-3458-05	TRIMMING PØT. (10K)		
VR4			R12-3457-05	TRIMMING PØT. (47K)		
VR5			R12-1440-05	TRIMMING PØT. (4.7K)		
VR6			R12-3457-05	TRIMMING PØT. (47K)		
VR7			R12-3458-05	TRIMMING PØT. (10K)		

E: Scandinavia & Europe K: USA P: Canada W: Europe

U: PX(Far East, Hawaii) T: England M: Other Areas

UE: AAFES(Europe) X: Australia

△ indicates safety critical components.

PARTS LIST

× New Parts
 Parts without Parts No. are not supplied.
 Les articles non mentionnés dans le Parts No. ne sont pas fournis.
 Teile ohne Parts No. werden nicht geliefert.

Ref. No. 参照番号	Address 位置	New Parts 新	Parts No. 部品番号	Description 部品名/規格	Desti- nation 仕向	Re- marks 備考
D1			1SS184	DIODE		
D2			HSM88AS	DIODE		
D3			1SS184	DIODE		
D4			02CZ6. 2(X,Y)	ZENER DIODE		
D5			1SS268	DIODE		
D7 -11			1SS184	DIODE		
D12 ,13			1SS181	DIODE		
D14			02CZ4. 3(X,Y)	ZENER DIODE		
D150-153			1SV164	DIODE		
IC1			MC3361D	IC(FM IF SYSTEM)		
IC2			KCS02	IC(BAND SW)		
IC3			KCA01	IC(NOISE AMP)		
IC4			KCA02	IC(AF AMP)		
IC5			KCA01	IC(NOISE AMP)		
IC6			KCA02	IC(AF AMP)		
IC7			M51523AL	IC(2H ELECTRIC VOLUME)		
IC8			KCE01	IC(AF LPF)		
IC9			NJM78L08UA	IC(VOLTAGE REGULATOR/ +8V)		
IC10			KCS01	IC(TR SW)		
IC11			KCC01	IC(APC)		
Q4			2SC2714(Y)	TRANSISTOR		
Q5 ,6			2SC2712(Y)	TRANSISTOR		
Q7 ,8			2SC3326(A)	TRANSISTOR		
Q9			DTC124EK	DIGITAL TRANSISTOR		
Q10 ,11			2SC2712(Y)	TRANSISTOR		
Q12			2SC2759(U23)	TRANSISTOR		
Q13			2SC3326(A)	TRANSISTOR		
Q14			DTC124EK	DIGITAL TRANSISTOR		
Q15			2SC2714(Y)	TRANSISTOR		
Q16			2SC3357	TRANSISTOR		
Q17			2SC2407(1)	TRANSISTOR		
Q18			2SK208(8)	FET		
Q150, 151			3SK184(S)	FET		
TH-1			112-501-2	THERMISTOR		
			X58-3450-10	SUB UNIT		
144 MHz VCO UNIT (X58-3340-11)						
C1			CK73FB1E223K	CHIP C 0.022UF K		
C2			CK73FB1H102K	CHIP C 1000PF K		
C3			CK73FB1E223K	CHIP C 0.022UF K		
C4			CK73EB1E104K	CHIP C 0.10UF K		
C5			CC73FSL1H101J	CHIP C 100PF J		
C6			CK73FB1E223K	CHIP C 0.022UF K		
C7			CK73FB1H471K	CHIP C 470PF K		
C8 ,9			C92-0007-05	CHIP TAN 2.2UF 20WV		
C10			CK73FB1H102K	CHIP C 1000PF K		
C11			C92-0003-05	CHIP TAN 0.47UF 25WV		
C12			CK73FB1H103K	CHIP C 0.010UF K		
C13			CK73FB1H102K	CHIP C 1000PF K		
C14			CC73FCH1H050C	CHIP C 5.0PF C		
C15			CK73FB1H102K	CHIP C 1000PF K		
C101			CK73FB1H102K	CHIP C 1000PF K		
C102			CK73FB1H472K	CHIP C 4700PF K		
C103			CK73FB1H102K	CHIP C 1000PF K		
C104			CC73FCH1H050C	CHIP C 0.5PF C		

E: Scandinavia & Europe K: USA P: Canada W: Europe
 U: PX(Far East, Hawaii) T: England M: Other Areas
 UE: AAFES(Europe) X: Australia

⚠ indicates safety critical components.

PARTS LIST

× New Parts

Parts without Parts No. are not supplied.

Les articles non mentionnés dans le Parts No. ne sont pas fournis.

Telle ohne Parts No. werden nicht geliefert.

Ref. No. 参照番号	Address 位置	New Parts 新	Parts No. 部品番号	Description 部品名 / 規格	Desti- nation 仕 向	Re- marks 備考
C105,106 C107-109 C110 C111			CK73FB1H472K CK73FB1H102K CC73FCH1H010C CC73FCH1H220J	CHIP C 4700PF K CHIP C 1000PF K CHIP C 1.0PF C CHIP C 22PF J		
CN1 CN2 CN101 CN102			E40-5158-05 E40-5159-05 E40-0611-05 E40-0211-05	PIN CONNECTOR (4P RE) PIN CONNECTOR (7P RE) PIN CONNECTOR (6P) PIN CONNECTOR (2P)		
A1			F11-1089-04	SHIELDING COVER		
L1 L101-103 L104 L105			L40-3391-19 L40-3391-19 L34-2312-05 L40-1581-80	SMALL FIXED INDUCTOR SMALL FIXED INDUCTOR COIL (5 CBL) SMALL FIXED INDUCTOR		
R1 -5 R6 R7 R8 R9			RK73FB2A473J RK73FB2A223J RK73FB2A472J RK73FB2A473J RK73FB2A102J	CHIP R 47K J 1/10W CHIP R 22K J 1/10W CHIP R 4.7K J 1/10W CHIP R 47K J 1/10W CHIP R 1.0K J 1/10W		
R10 R12 R13 R14 R15			RK73FB2A682J RK73FB2A472J R92-0670-05 RK73FB2A221J RK73FB2A223J	CHIP R 6.8K J 1/10W CHIP R 4.7K J 1/10W CHIP R 0 OHM CHIP R 220 J 1/10W CHIP R 22K J 1/10W		
R16 R17 R101 R102-104 R105			RK73FB2A103J R92-0670-05 RK73FB2A822J RK73FB2A470J R92-0670-05	CHIP R 10K J 1/10W CHIP R 0 OHM CHIP R 8.2K J 1/10W CHIP R 47 J 1/10W CHIP R 0 OHM		
R106 R107 R108 R109 R110			RK73FB2A101J RK73FB2A472J RK73FB2A561J RK73FB2A101J RK73FB2A470J	CHIP R 100 J 1/10W CHIP R 4.7K J 1/10W CHIP R 560 J 1/10W CHIP R 100 J 1/10W CHIP R 47 J 1/10W		
D101,102 IC1 Q1 Q2 Q3 ,4 Q5 Q101 Q102			15V166 M54959FP DTC144EK 25C2712(Y) 25C3324(B) 25C2714(Y) 25K508(K52) 25C2714(Y)	VARI-CAP DIODE IC(FREQ SYNTHESIZER PLL) DIGITAL TRANSISTOR CHIP TRANSISTOR CHIP TRANSISTOR CHIP TRANSISTOR CHIP FET CHIP TRANSISTOR		
220 MHz VCO UNIT (X58-3450-10)						
C1 C2 C3 ,4 C5 C7 ,8 C9 C10 C11 C12 C13 C14			CK73FB1H223K CK73FB1H102K CK73FB1H223K CK73EB1H473K C92-0005-05 * C92-0511-05 CK73FB1H102K CK73FB1H103K CK73FB1H102K CC73FCH1H050C CC73FCH1H180J	CHIP C 0.022UF K CHIP C 1000PF K CHIP C 0.022UF K CHIP C 0.047UF K CHIP-TAN 2.2UF 6.3WV TAN 0.15UF 35WV CHIP C 1000PF K CHIP C 0.010UF K CHIP C 1000PF K CHIP C 5.0PF C CHIP C 18PF J		

E: Scandinavia & Europe K: USA P: Canada W: Europe

U: PX(Far East, Hawaii) T: England M: Other Areas

UE: AAFES(Europe) X: Australia

⚠ indicates safety critical components.

PARTS LIST

※ New Parts

Parts without Parts No. are not supplied.

Les articles non mentionnés dans le Parts No. ne sont pas fournis.

Teile ohne Parts No. werden nicht geliefert.

Ref. No. 参照番号	Address 位置	New Parts 新	Parts No. 部品番号	Description 部品名/規格	Desti- nation 仕向	Re- marks 備考
C101			CK73FB1H102K	CHIP C 1000PF K		
C102			CC73FCH1H330J	CHIP C 33PF J		
C103			CK73FB1H102K	CHIP C 1000PF K		
C104			CC73FCH1H270J	CHIP C 27PF J		
C105			CC73FCH1H0R5C	CHIP C 0.5PF C		
C106-108			CK73FB1H102K	CHIP C 1000PF K		
C109			CC73FCH1H010C	CHIP C 1.0PF C		
C110,111			CK73FB1H102K	CHIP C 1000PF K		
TC101			C05-0345-05	TRIMMING CAP (10P)		
CN1			E40-5158-05	PIN CONNECTOR(4P)		
CN2			E40-5159-05	PIN CONNECTOR(7P)		
CN101			E40-0611-05	PIN CONNECTOR(6P)		
CN102			E40-0211-05	PIN CONNECTOR(2P)		
A1			F11-1089-04	SHIELDING COVER		
L1			L40-6872-80	SMALL FIXED INDUCTOR		
L101		*	L40-2292-19	SMALL FIXED INDUCTOR		
L102			L40-1092-19	SMALL FIXED INDUCTOR		
L103		*	L40-2292-19	SMALL FIXED INDUCTOR		
L104		*	L34-2317-05	COIL		
R1 -5			RK73FB2A473J	CHIP R 47K J 1/10W		
R6			RK73FB2A221J	CHIP R 220 J 1/10W		
R7			RK73FB2A332J	CHIP R 3.3K J 1/10W		
R8			RK73FB2A562J	CHIP R 5.6K J 1/10W		
R9			RK73FB2A472J	CHIP R 4.7K J 1/10W		
R10			RK73FB2A222J	CHIP R 2.2K J 1/10W		
R11			RK73FB2A474J	CHIP R 470K J 1/10W		
R12			RK73FB2A822J	CHIP R 8.2K J 1/10W		
R13			RK73FB2A331J	CHIP R 330 J 1/10W		
R14			RK73FB2A472J	CHIP R 4.7K J 1/10W		
R15			RK73FB2A222J	CHIP R 2.2K J 1/10W		
R16			RK73FB2A103J	CHIP R 10K J 1/10W		
R17			RK73FB2A473J	CHIP R 47K J 1/10W		
R101			R92-0670-05	CHIP R 0 OHM		
R102,103			RK73FB2A103J	CHIP R 10K J 1/10W		
R104			RK73FB2A472J	CHIP R 4.7K J 1/10W		
R105			RK73FB2A103J	CHIP R 10K J 1/10W		
R106			RK73FB2A222J	CHIP R 2.2K J 1/10W		
R107			RK73FB2A470J	CHIP R 47 J 1/10W		
R108,109			RK73FB2A101J	CHIP R 100 J 1/10W		
R110			RK73FB2A473J	CHIP R 47K J 1/10W		
R111			RK73FB2A471J	CHIP R 470 J 1/10W		
R112			RK73FB2A470J	CHIP R 47 J 1/10W		
D101,102			1SV166	DIODE		
D103			MA77	DIODE		
D104			1SV164	DIODE		
IC1			M54959FP	IC(FREQ SYNTHESIZER PLL)		
Q1 -3			2SC3324(B)	TRANSISTOR		
Q4			2SC2714(Y)	TRANSISTOR		
Q101			2SK508NV(K52)	FET		
Q102			2SC3120	TRANSISTOR		
Q103			2SC2712(Y)	TRANSISTOR		

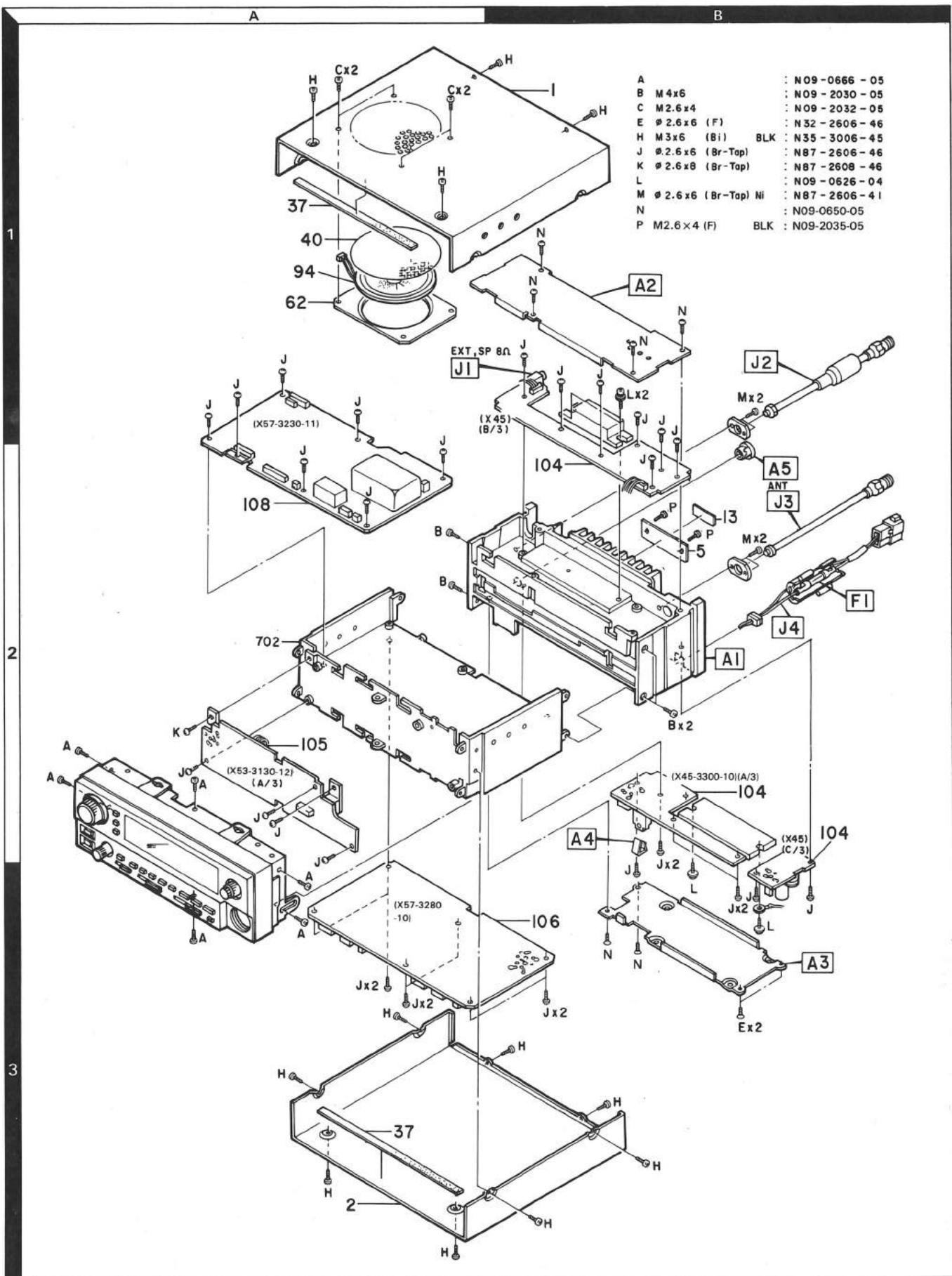
E: Scandinavia & Europe K: USA P: Canada W: Europe

U: PX(Far East, Hawaii) T: England M: Other Areas

UE: AAFES(Europe) X: Australia

⚠ indicates safety critical components.

EXPLODED VIEW



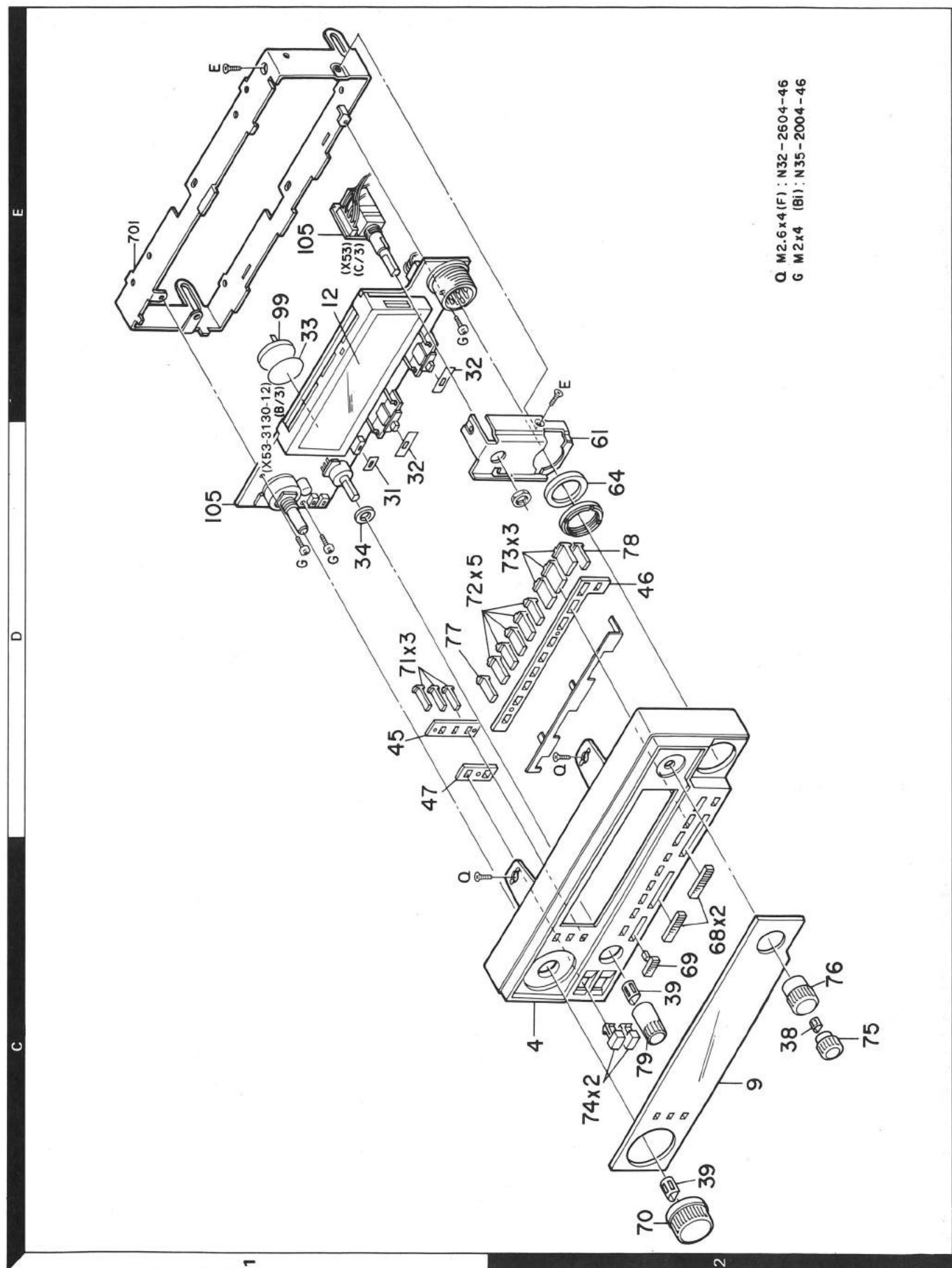
A	M 4x6	:	N09-0666-05
B	M 4x6	:	N09-2030-05
C	M 2.6x4	:	N09-2032-05
E	∅ 2.6x6 (F)	:	N32-2606-46
H	M 3x6 (Bi)	BLK	N35-3006-45
J	∅ 2.6x6 (Br-Tap)	:	N87-2606-46
K	∅ 2.6x8 (Br-Tap)	:	N87-2608-46
L	∅ 2.6x6 (Br-Tap) Ni	:	N09-0626-04
M	∅ 2.6x6 (Br-Tap) Ni	:	N87-2606-41
N		:	N09-0650-05
P	M 2.6x4 (F)	BLK	N09-2035-05

1

2

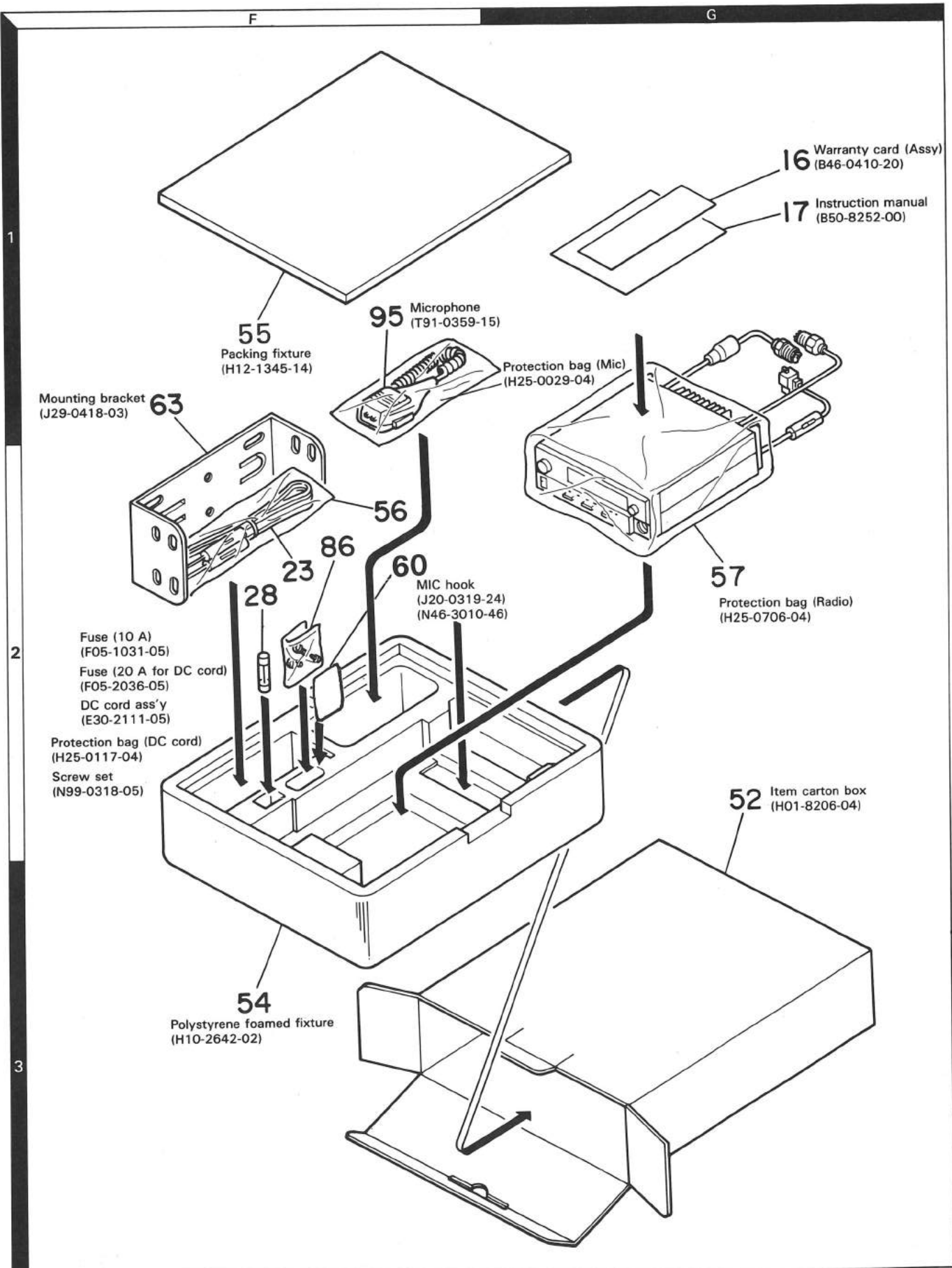
3

EXPLODED VIEW



Q M2.6x4(F) : N32-2604-46
G M2x4 (BI) : N35-2004-46

PACKING



ADJUSTMENT

REQUIRED TEST EQUIPMENT

- 1. DC V.M**
 - 1) High input impedance
- 2. RF VTVM (RF V.M)**
 - 1) Input impedance : 1 M Ω min., 2 pF max.
 - 2) Voltage range : F.S = 10 mV ~ 300 V
- 3. Frequency Counter (f. counter)**
 - 1) Input sensitivity : Approx. 50 mV
 - 2) Frequency range : Up to 450 MHz
- 4. DC Power Supply**
 - 1) Voltage : 10 V ~ 17 V, variable
 - 2) Current : 15 A min.
- 5. Power Meter**
 - 1) Measurement range Approx. : 50 W, 3 W, 1 W
 - 2) Input impedance : 50 Ω
 - 3) Frequency range : Up to 450 MHz
- 6. AF VTVM (AF V.M)**
 - 1) Input impedance : 1 M Ω min.
 - 2) Voltage range : F.S = 1 mV ~ 30 V
 - 3) Frequency range : 50 Hz ~ 10 kHz
- 7. AF Generator (AG)**
 - 1) Output frequency : 100 Hz ~ 10 kHz
 - 2) Output voltage : 0.5 mV ~ 1 V
- 8. Linear Detector**
 - 1) Frequency range : Up to 450 MHz
- 9. Field Strength Meter**
 - 1) Frequency range : Up to 450 MHz
- 10. Directional Coupler**
- 11. Oscilloscope**
 - 1) High sensitivity oscilloscope with horizontal input terminal
- 12. SSG**
 - 1) Frequency range : 144 MHz and 220 MHz bands
 - 2) Modulation : AM and FM MOD.
 - 3) Output level : -20 dB to 100 dB
- 13. Dummy Load**
 - 1) 8 Ω , 50 W (approx.)
- 14. Noise Generator**
 - 1) Must generate ignition-like noise containing harmonics beyond 450 MHz.

15. Sweep Generator

- 1) Sweep range : 144 MHz and 220 MHz bands

16. Tracking Generator

PREPARATION

- 1) Unless otherwise specified, knobs and switches should be set as follows **Table 7**.

POWER SW	ON	SUB SQ VR	OFF
AF VOL VR	MIN	SCAN/L. OUT	OFF
MAIN SQ VR	MIN	SHIFT/AL	OFF
LOW SW	HI	TONE/T. SEL	OFF
CALL SW	OFF	REV/STEP	OFF
VFO SW	ON	MUTE/CTCSS	OFF
F. LOCK SW	OFF	A, B, C	OFF
BALANCE VR	MAIN	DUAL SW	OFF
		BAND ACC	OFF

Table 7

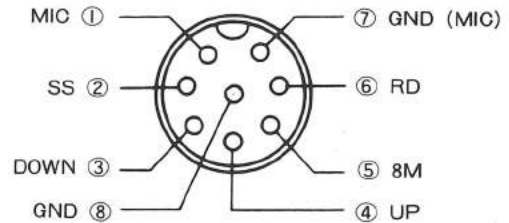


Fig. 25 MIC terminals (view from front panel side)

- 2) Use an insulated adjusting rod to adjust trimmers and coils.
- 3) To prevent damaging SSG, never connect the microphone to mic jack while adjusting the receiver section.
- 4) Be sure to turn the power switch OFF, before connecting the power cable to a power source.
- 5) SSG output levels are those at the time the output terminal is open.

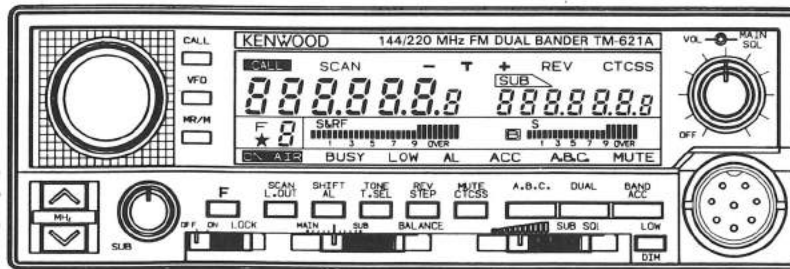


Fig. 26

ADJUSTMENT

Common Section Adjustments

Item	Condition	Measurement			Adjustment			Specification/Remarks
		Test equipment	Unit	Terminal	Unit	Part	Method	
1. Setting	DC 13.8 V POWER OFF MAIN SQL. MIN. BALANCE CENTER SUB SQL. MAX. LOCK OFF * Standard modulation (MOD. 1 kHz, DEV. ± 3 kHz) when modulation of SSG is not specified.							
2. Reset	Turn POWER ON while pressing F key							MAIN 220.000
	DUAL PUSH							SUB 144.000

PLL Adjustments

Item	Condition	Measurement			Adjustment			Specification/Remarks
		Test equipment	Unit	Terminal	Unit	Part	Method	
1. VCO voltage	FREQ. 224.980 MHz Transmission (Low power)	Digital voltmeter Dummy load $\times 2$	TX-RX (220)	TP3	TX-RX (220)	Trans- mission TC101	5.3 V	5.3 \pm 0.5 V
	FREQ. 147.995 MHz Transmission (Low power)		TX-RX (144)	TP2		Trans- mission		6.0 \pm 1.0 V
	Reception					Recep- tion		3.0 - 4.5 V

144 MHz Receiver Adjustments

Item	Condition	Measurement			Adjustment			Specification/Remarks
		Test equipment	Unit	Terminal	Unit	Part	Method	
1. Receiving sensitivity	FREQ. 146.040 MHz SSG 0 dB μ MOD : OFF	Tester	TX-RX (144)	TP1	TX-RX (144)	L2,3,4 5,6,7,8	MAX.	
2. Discriminator	FREQ. 146.040 MHz SSG 0 dB μ	Oscillo- scope, Millivolt- meter Dummy load (8 ohms)	Rear	ANT2	TX-RX (144)	L9	AF indication max.	Maximum sensitivity: 4 V or more.
3. Squelch (Tight squelch)	FREQ. 146.040 MHz MAIN SQL. MAX. SSG - 6 dB μ	Oscillo- scope, Millivolt- meter Dummy load (8 ohms)		ANT2	TX-RX (144)	VR1	Set to the position where noise is not heard.	
	SSG - 4 dB							Squelch should be opened.
	SSG OFF Rotate SGL to the position where noise is not heard.							8:00 - 9:30
	SSG - 14 dB μ							Squelch should be opened.

ADJUSTMENT

Item	Condition	Measurement			Adjustment			Specification/Remarks
		Test equipment	Unit	Terminal	Unit	Part	Method	
4. S-meter	FREQ. 146.040 MHz SSG - 3 dB μ	SSG SP	Rear panel, Front panel	TX-RX (144)	TX-RX (144)	VR2	Set to S.1 position.	
	SSG 30 dB μ							All LED light up.
5. Receiving sensitivity	146.040 MHz SSG - 10 dB μ	Oscilloscope Millivoltmeter Distortion meter						SINAD 12 dB or more
	Adjust the band edge in the same way. FREQ. 144.040 MHz 147.940 MHz							
6. Signal-to-noise (S/N) ratio with high-level signal	146.040 MHz SSG 60 dB μ AF 0.63 V/8 Ω							S/N ratio of 46 dB or better

Common Frequency Adjustments

Item	Condition	Measurement			Adjustment			Specification/Remarks
		Test equipment	Unit	Terminal	Unit	Part	Method	
Transmission frequency	222.500 MHz LO : ON Make transmission.	F.counter Dummy load	Rear panel	ANT2	TX-RX (144)	TC1	222.500 MHz	± 100 Hz

144 MHz Transmitter Adjustments

Item	Condition	Measurement			Adjustment			Specification/Remarks
		Test equipment	Unit	Terminal	Unit	Part	Method	
1-1. Transmission output (HI power)	FREQ. 146.000 MHz HI/LO switch: HI Make transmission.	Power meter Ammeter (Use DC power supply having ammeter)	Rear panel	ANT1 (144)	Final (144)	VR2	POWER MAX.	50 W or more
							46 W	40 W ± 1 W, less than 8.5 A
1-2. Transmission output (LO power)	FREQ. 146.000 MHz HI/LO switch : LO (When "LOW" appears on the display, start transmitting.)				Final (144)	VR4	5 W	Check ± 0.5 W
	FREQ. 144.000 MHz 147.980 MHz HI/LO switch : HI Make transmission.							44 - 52 W, less than 6.5 A
2. RF meter	FREQ. 146.000 MHz Make transmission.	Power meter or dummy load (50 ohms)	TX-RX (144)	TP1	Final (144)	VR1	1.5 V	± 0.1 V

ADJUSTMENT

Item	Condition	Measurement			Adjustment			Specification/Remarks
		Test equipment	Unit	Terminal	Unit	Part	Method	
3-1. DEV	FREQ. 146.000 MHz AG 1 kHz, 60 mV Make transmission.	Linear detector Dummy (50 ohms) Divider Oscilloscope	Rear	ANT1 (144)	TX-RX (144)	VR3	± 4.6 kHz (either + or - value which is larger)	± 200 Hz There should be no abnormal within detecting range. Linear detector condition: LPF: OFF HPF: 20 kHz Deemphasis: OFF
3-2. MIC GAIN	AG 1 kHz 6 mV Make transmission.							± 2.4 kHz - ± 3.6 kHz Check above
4. Protection (CURRENT)	FREQ. 146.000 MHz ANT open Make transmission	Ammeter			Final (144)	VR3	5.5 A	± 0.2 A
5. TONE	FREQ. 145.100 MHz Make transmission	Linear detector, Dummy load (50 ohms)		ANT (144)			f: 88 ~ 89 Hz DEV.: ± 0.5 ~ 1 kHz Linear detector condition	LPF: 3 kHz HPF: 20 kHz Deemphasis: OFF

220 MHz Receiver Adjustments

Item	Condition	Measurement			Adjustment			Specification/Remarks
		Test equipment	Unit	Terminal	Unit	Part	Method	
1. Receiving sensitivity	FREQ. 222.540 MHz SSG 0 dB μ MOD : OFF	Tester	TX-RX (220)	TP2	TX-RX (220)	L150 ~ 154 L8, 9	MAX.	
2. Discriminator	FREQ. 222.540 MHz SSG 0 dB μ	Oscilloscope Millivoltmeter	Rear panel	EXT. SP	TX-RX (220)	L11	MAX.	
3. Squelch (tight squelch)	FREQ. 222.540 MHz MAIN SQL. MAX. SSG - 5 dB μ	Oscilloscope Millivoltmeter		EXT. SP	TX-RX (220)	VR1	Set to the position where noise is not heard.	
	SSG - 4 dB μ							Squelch open
	SSG OFF Rotate SQL to set to the position where noise is not heard.							8:00 ~ 9:30
4. S-meter	FREQ. 222.540 MHz SSG - 4 dB μ	SSG SP	Rear panel Front panel	ANT1 S-meter	TX-RX (220)	VR2	Set to S1.	
	SSG 20 dB μ							All LED light up.
5. Sensitivity	FREQ. 222.540 MHz SSG - 10 dB μ	Oscilloscope Millivoltmeter Distortion meter		SP				12 dB SINAD or more
	Set the band edge in the same way. FREQ. 220.040 MHz 224.940 MHz							
6. Signal-to-noise (S/N) ratio with high level input	FREQ. 222.540 MHz SSG 60 dB μ AF 0.63 V/8 Ω	Oscilloscope Millivoltmeter Distortion meter		SP				S/N ratio of 46 dB or better

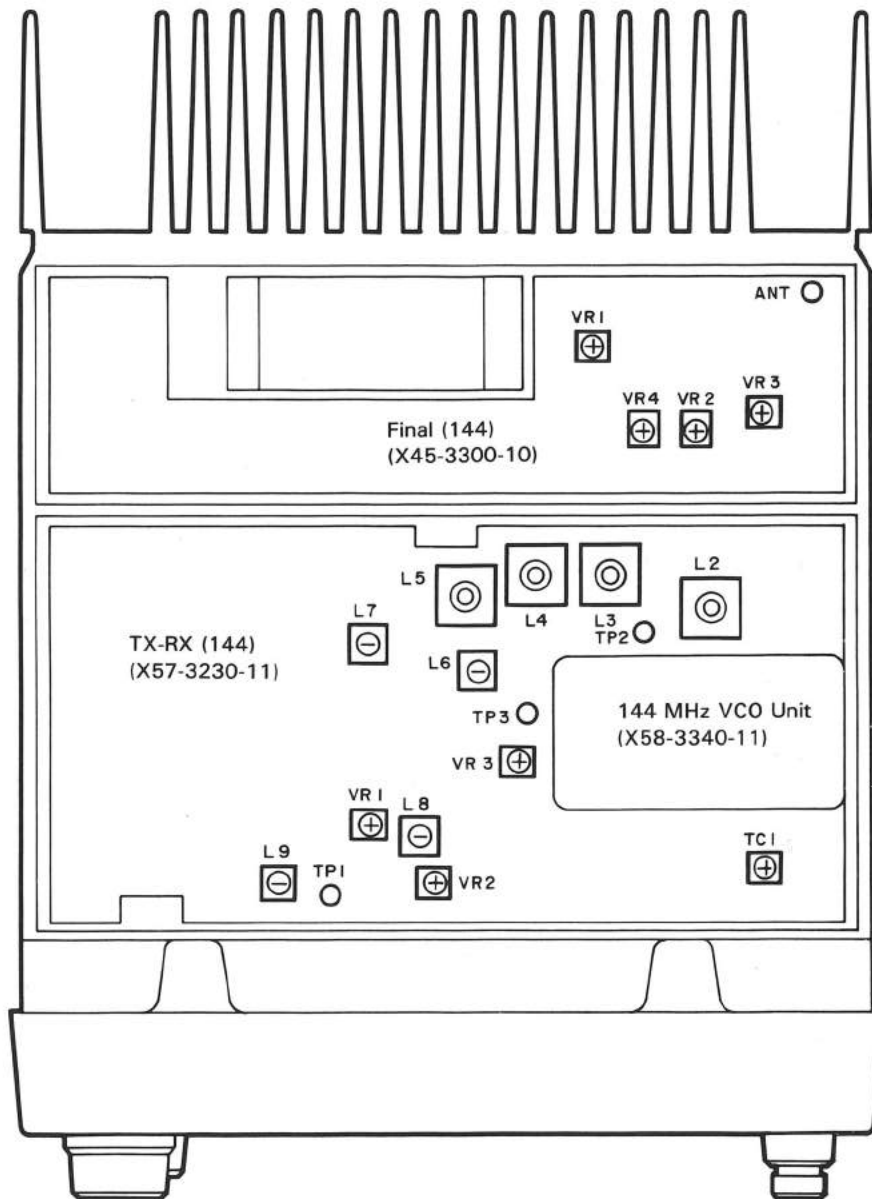
ADJUSTMENT

220 MHz Transmission Adjustments

Item	Condition	Measurement			Adjustment			Specification/Remarks
		Test equipment	Unit	Terminal	Unit	Part	Method	
1-1. Transmission output (HI power)	FREQ. 222.500 MHz HI/LO switch : HI Make transmission.	Power meter Ammeter (Use DC power supply having ammeter)	Rear panel	ANT1 (220)	TX-RX (220)	VR5	POWER MAX.	32 W or more
							28 W	28 W \pm 1 W, less than 7 A
1-2. Transmission output (LO power)	FREQ. 222.500 MHz HI/LO switch : LO ("LOW" is shown on the display)				TX-RX (220)		5 W	Check 5 W \pm 0.5 W
	FREQ. 220.000 MHz 224.980 MHz HI/LO switch : HI Make transmission.							24 ~ 32 W, less than 7.5 A
2. RF meter	FREQ. 222.500 MHz HI/LO SW:LO Make transmission.	Digital voltmeter	TX-RX (220)	TP2	TX-RX (220)	VR6	1.5 V	1.5 V \pm 0.1 V
3. DEV	FREQ. 222.500 MHz AG 1 kHz, 60 mV Make transmission	Linear detector oscilloscope Divider	Rear	ANT	TX-RX (220)	VR3	\pm 4.6 kHz (either + or - value which is larger)	\pm 200 Hz There should be no abnormality in detection waveforms. Direct condition LPF : OFF HPF : 20 kHz Deemphasis : OFF
3-2. MIC GAIN	AG 1 kHz 6 mV Make transmission							
4. Protection	FREQ. 222.500 MHz ANT opened Make transmission	Ammeter			TX-RX (220)	VR4	4.0 A	\pm 0.2 A
5. TONE	222.500 MHz Make transmission	Direct Dummy load (50 ohms) Oscilloscope	Rear panel	ANT			f: 88 ~ 89 MHz DEV.: \pm 0.6 ~ 1 kHz Linear detector condition	LPF: 50 MHz HPF: 3 kHz Deemphasis: OFF

ADJUSTMENT

Top of the Set



Final Unit (X45-3300-10)

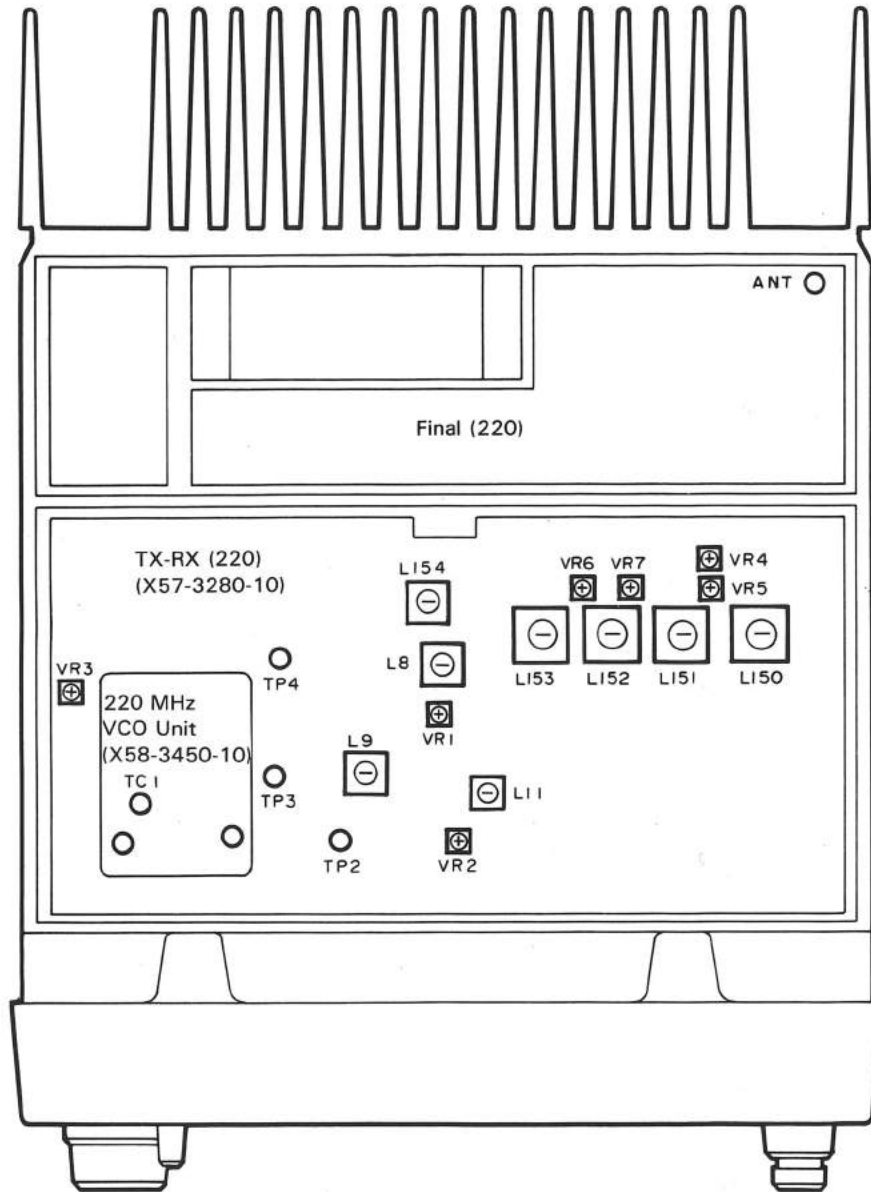
- VR1 : 144 MHz RF meter adjustment
- VR2 : 144 MHz HI power (APC) adjustment
- VR3 : 144 MHz protection adjustment
- VR4 : 144 MHz LOW power adjustment

TX-RX Unit (144 MHz) (X57-3230-11)

- VR1 : 144 MHz squelch (tight squelch) adjustment
- VR2 : 144 MHz S-meter adjustment
- VR3 : 144 MHz DEV. adjustment
- TC1 : TX f.adjustment
- L2~8 : 144 MHz receiving gain adjustment
- L9 : Discriminator adjustment

ADJUSTMENT

Bottom of the Set



TX-RX unit (220 MHz) (X57-3280-10)

- VR1 : 220 MHz squelch (tight squelch) adjustment
- VR2 : 220 MHz S-meter adjustment
- VR3 : 220 MHz DEV. adjustment
- VR4 : 220 MHz protection adjustment
- VR5 : 220 MHz HI power adjustment
- VR6 : 220 MHz RF meter adjustment
- VR7 : 220 MHz LOW power adjustment
- L150~154, L8, 9 : 220 MHz receiving gain adjustment
- L11 : 220 MHz discriminator adjustment

TERMINAL FUNCTIONS

Connector No.	Terminal No.	Terminal name	Function
220 MHz TX-RX UNIT (X57-3280-10)			
CN1		RA1 E	RX ANT (220MHz) GND
CN2	1 2	E DET	GND Detect (144MHz)
CN3	1 2 3 4 5	SC1 RD E SC2 SQ2	SCAN Control (Main) Remote Data GND SCAN Control (SUB) Squelch Volume (SUB)
CN4	1 2 3 4 5 6 7 8	SDT E SEL SQ1 BAL AV E AO	Sub Band Data GND MAIN SUB Select Squelch Volume (Main) Balance Volume Audio Volume GND Audio Output
CN5	1 2 3	MU1 MU2 MU3	Mute 1 (MAIN) Mute 2 (SUB) Mute 3 (SUB)
CN6	1 2 3 4 5	MD1 E DP1 CP1 EP1	Modulation (220MHz) GND PLL Data (220MHz) PLL Clock (220MHz) PLL Enable (220MHz)
CN7	1 2	E SF	GND Standard Freq'
CN8		D01 E	Drive Out (220MHz) GND
CN9	1 2 3 4 5 6	ST1 E LOW M1 CSB 8C	Standby (220MHz) GND Low Power Switch Meter (220MHz) Common Switched +B Common +8V
CN10	1 2 3 4 5	DB 8T2 E PC2 LOW	Drive +B TX +8V (144MHz) GND Power Control (144MHz) Low Power Switch
CN11	1 2 3 4 5 6	PC1 PRO E 8T1 BA DB	Power Control (220MHz) Protection GND TX +8V (220MHz) Base Drive +B

Connector No.	Terminal No.	Terminal name	Function
144 MHz TX-RX UNIT (X57-3230-11)			
CN1	1 2	E RA4	GND RX ANT (DW-1)
CN2	1 2 3	E RA2 E	GND RX ANT (144MHz) GND
CN3	1 2	RM2 8T2	RF Meter (144MHz) TX +8V (144MHz)
CN4	1 2 3 4 5	D02 E SP AP E	Drive Out (144MHz) GND Speaker Audio Power Output GND
CN5	1 2	E SP	GND Speaker
CN6	1 2 3 4 5 6	CSB AI E 8C ST2 M2	Common Switched +B Audio IN GND Common +8V Standby (144MHz) Meter (144MHz)
CN7	1 2	E DET	GND Detect (144MHz)
CN8	1 2 3 4	MD2 DP2 CP2 EP2	Modulation (144MHz) PLL Data (144MHz) PLL Clock (144MHz) PLL Enable (144MHz)
CN9	1 2	E SF	GND Standard Freq'
CONTROL UNIT (X53-3130-12)			
CN1	1 2 3 4 5 6	B CSB AV2 8C SQ1 E	+B (13.8V) Common Switched +B Audio Volume 2 Common +8V Squelch Vol. (MAIN) GND
CN2	1 2 3 4 5	EP2 CP2 DP2 E MD2	PLL Enable (144MHz) PLL Clock (144MHz) PLL Data (144MHz) GND Modulation (144MHz)
CN3	1 2 3 4 5 6	CSB AI E 8C ST2 M2	Common Switched +B Audio Input GND Common +8V Standby (144MHz) Meter (144MHz)

TERMINAL FUNCTIONS

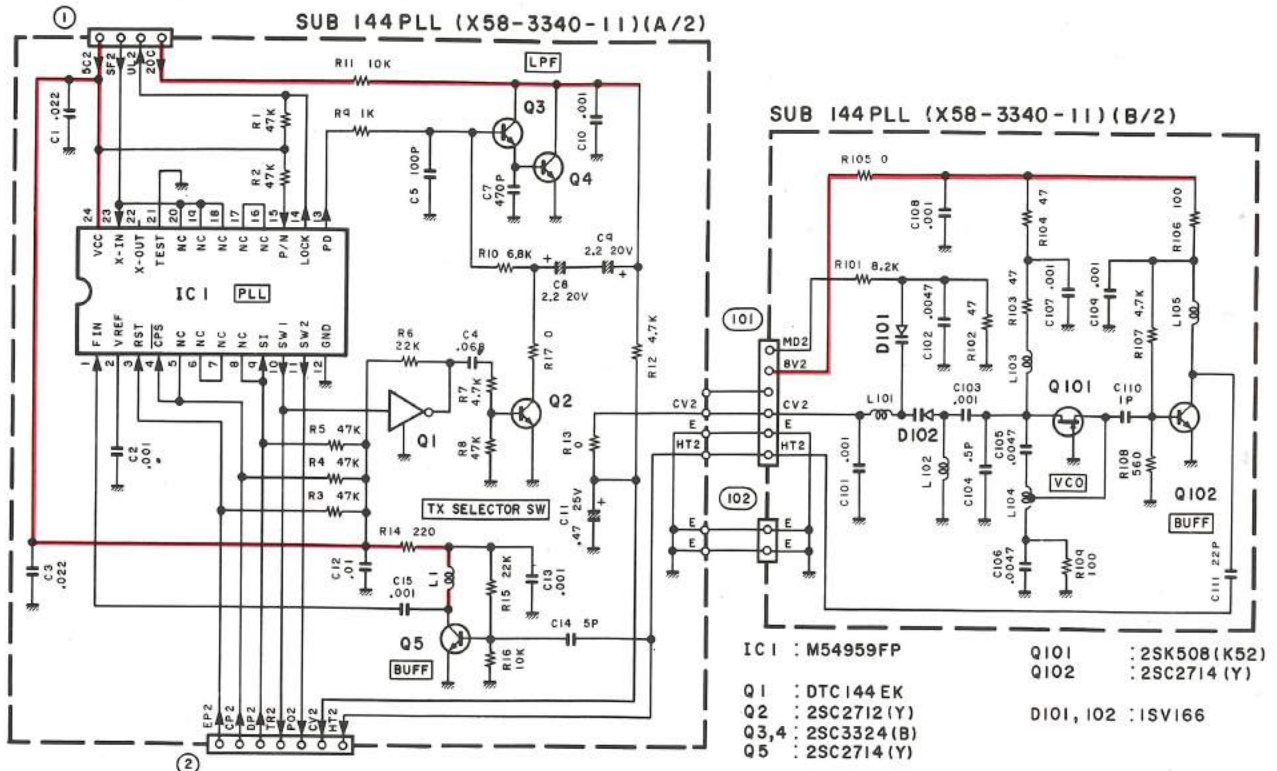
Connector No.	Terminal No.	Terminal name	Funtion
CN4	1	RD	Remote Data (Main)
	2	E	GND
	3	E	GND
	4	MIC	MIC AF Input
	5	TO	Tone Input
CN5	1	BZ	Beep
	2	SC1	Squelch Control (MAIN)
	3	SD0	Signaling Data Out
	4	SC2	Scan Control (SUB)
	5	BAL	Balance Volume
	6	SQ2	Squelch Volume (SUB)
	7	INH	Inhibit (SUB)
	8	M1	Meter (MAIN)
	9	M2	Meter (SUB)
	10	E	GND
	11	5C	Common +5V
	12	8C	Common +8V
CN6	1	LB	Lamp +B
	2	E	GND
	3	P90	Port P90
	4	P82	Port P82
	5	DS	Shift Register Data
	6	CS	Shift Register Clock
	7	ES	Shift Register Enable
	8	ET	Tone Enable
	9	CP	PLL Clock
	10	DP	PLL Data
	11	EP1	PLL Enable (220MHz)
	12	EP2	PLL Enable (144MHz)
CN101	1	BZ	Beep
	2	SC1	Squelch Control (MAIN)
	3	SD0	Signaling Data Out
	4	SC2	Scan Control (SUB)
	5	BAL	Balance Volume
	6	SQ2	Squelch Volume (SUB)
	7	INH	Inhibit (SUB)
	8	M1	Meter (MAIN)
	9	M2	Meter (SUB)
	10	E	GND
	11	5C	Common +5V
	12	8C	Common +8V

Connector No.	Terminal No.	Terminal name	Funtion
CN102	1	LB	Lamp +B
	2	E	GND
	3	P90	Port P90
	4	P82	Port P82
	5	DS	Shift Register Data
	6	CS	Shift Register Clock
	7	ES	Shift Register Enable
	8	ET	Tone Enable
	9	CP	PLL Clock
	10	DP	PLL Data
	11	EP1	PLL Enable (220MHz)
	12	EP2	PLL Enable (144MHz)
W1	1	E	GND
	2	B	+B (13.8V)
W2	1	MD1	Modulation (220MHz)
	2	E	GND
	3	DP1	PLL Data (220MHz)
	4	CP1	PLL Clock (220MHz)
	5	EP1	PLL Enable (220MHz)
W3	1	ST1	Standby (220MHz)
	2	E	GND
	3	LOW	Low Power Switch
	4	M1	Meter (MAIN)
	5	CSB	Common Switched +B
	6	8C	Common +8V
W4	1	SQ2	Squelch Volume (SUB)
	2	SC2	Scan Control (SUB)
	3	E	GND
	4	RD	Remote Data (MAIN)
	5	SC1	Squelch Control (MAIN)
W5	1	SDT	Sub Band Data
	2	E	GND
	3	SEL	MAIN SUB Select
	4	SQ1	Squelch Volume (MAIN)
	5	BAL	Balance Volume
	6	AV	Audio Volume
	7	E	GND
	8	AO	Audio Output
W6	1	MU3	Mute 3 (SUB)
	2	MU2	Mute 2 (SUB)
	3	MU1	Mute 1 (MAIN)
W7	1	E	GND
	2	CI	CTCSS IN
	3	5C	Common +5V
	4	E	GND
	5	SD0	Signaling Data Out
	6	CT	Tone Clock
	7	DT	Tone Data
	8	ET	Tone Enable

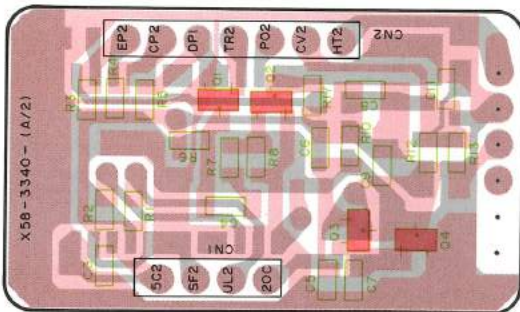
TERMINAL FUNCTIONS

Connector No.	Terminal No.	Terminal name	Function
W101	1	TO	Tone Input
	2	MIC	MIC AF Input
	3	E	GND
	4	E	GND
	5	RD	Remote Data (Main)
W201	1	B	+B (13.8V)
	2	CSB	Common Switched +B
	3	AV2	Audio Volume 2
	4	8C	Common +8V
	5	SQ1	Squelch Control (MAIN)
	6	E	GND
FINAL UNIT (X45-3300-10)			
CN1	1	E	GND
	2	B	+B (13.8V)
W1	—	FB	FINAL +B
W5	1	DB	Drive +B
	2	8T2	TX +8V (144MHz)
	3	8T2	TX +8V (144MHz)
	4	E	GND
	5	RA2	RX ANT (144MHz)
	6	E	GND
	7	RM2	RF Meter (144MHz)
	8	PC2	Power Control (144MHz)
	9	LOW	Low Power Switch
W6	1	D02	Drive Out (144MHz)
	2	E	GND
	3	SP	Speaker
	4	AP	Audio Power Output
	5	E	GND
W7	1	DB	Drive +B
	2	BA	Base
	3	8T1	TX +8V (220MHz)
	4	E	GND
	5	PRO	Protection
	6	PC1	Power Control (220MHz)
W8	—	D01	Drive Out (220MHz)
	—	E	GND

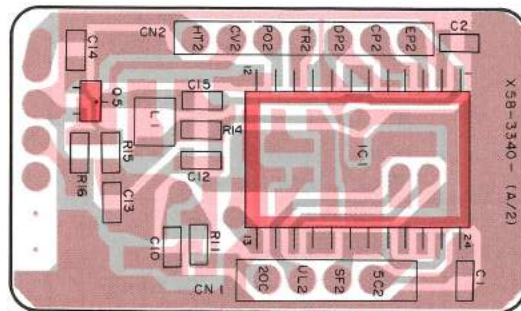
TM-621A SCHEMATIC DIAGRAM/PC BOARD VIEW



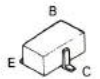
▼144 MHz VCO UNIT A (X58-3340-11)
[Component side view]



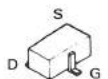
▼144 MHz VCO UNIT A (X58-3340-11)
[Foil side view]



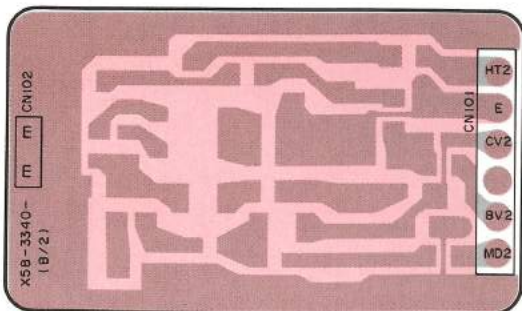
2SC3324



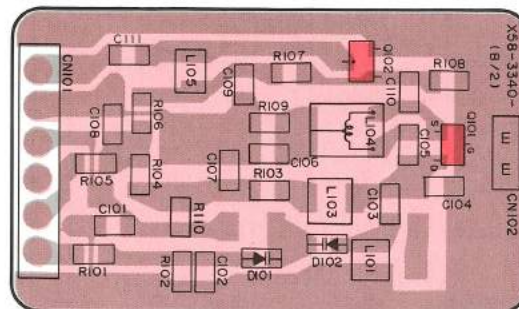
2SK508



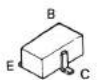
▼144 MHz VCO UNIT B (X58-3340-11)
[Component side view]



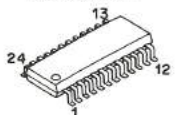
▼144 MHz VCO UNIT B (X58-3340-11)
[Foil side view]



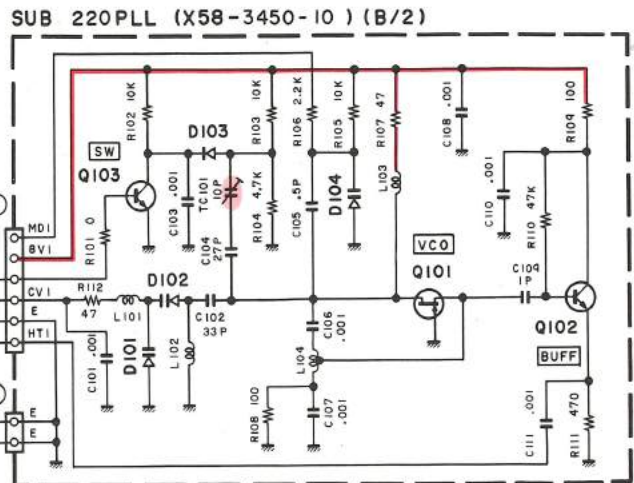
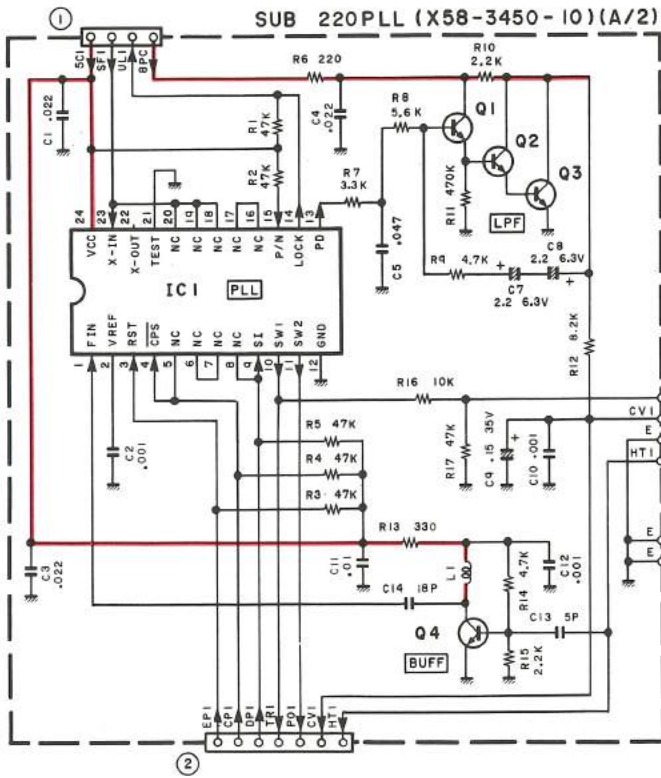
DTC144EK
2SC2712
2SC2714



M54959FP

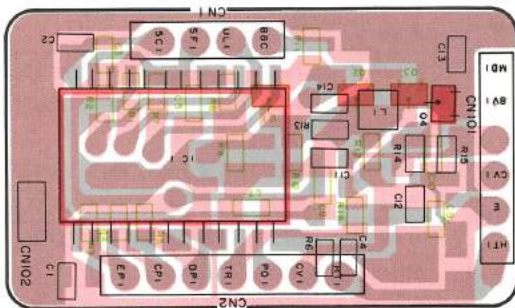


IC 1 : M54959FP Q 1 : DTC144EK Q 2 : 2SC2712(Y) Q 3,4 : 2SC3324(B) Q 5,102 : 2SC2714(Y) Q 101 : 2SK508(K52)
D101,102 : 1SV166

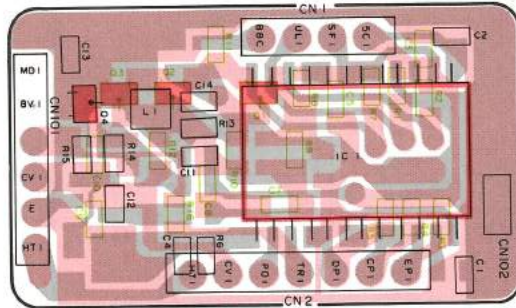


- | | | | |
|---------|--------------|----------|----------------|
| IC 1 | : M54959FP | Q101 | : 2SK508 (K52) |
| Q 1 ~ 3 | : 2SC3324(B) | Q102 | : 2SC3120 |
| Q 4 | : 2SC2714(Y) | Q103 | : 2SC2712 (Y) |
| | | D101,102 | : 1SV166 |
| | | D103 | : MA77 |
| | | D104 | : 1SV164 |

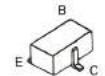
▼220 MHz VCO UNIT A (X58-3450-10)
[Component side view]



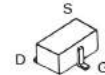
▼220 MHz VCO UNIT A (X58-3450-10)
[Foil side view]



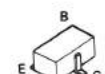
2SC3324



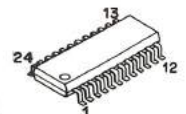
2SK508



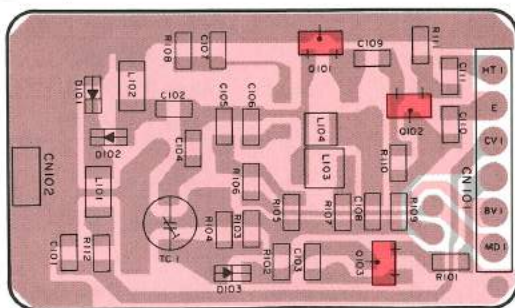
2SC2712
2SC3120



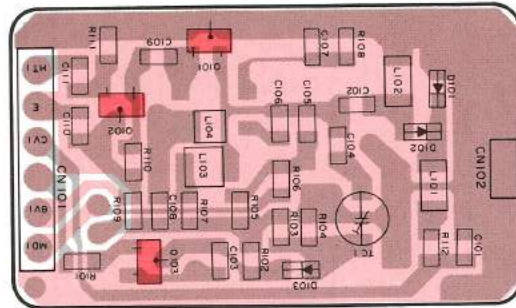
M54959FP



▼220 MHz VCO UNIT B (X58-3450-10)
[Component side view]

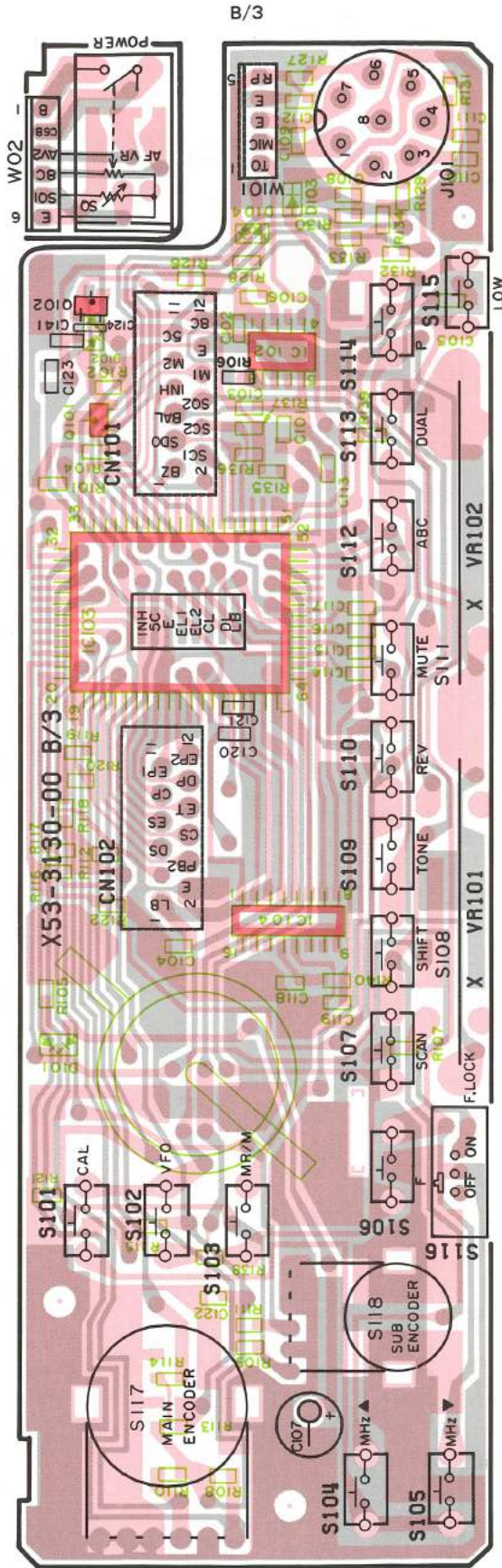
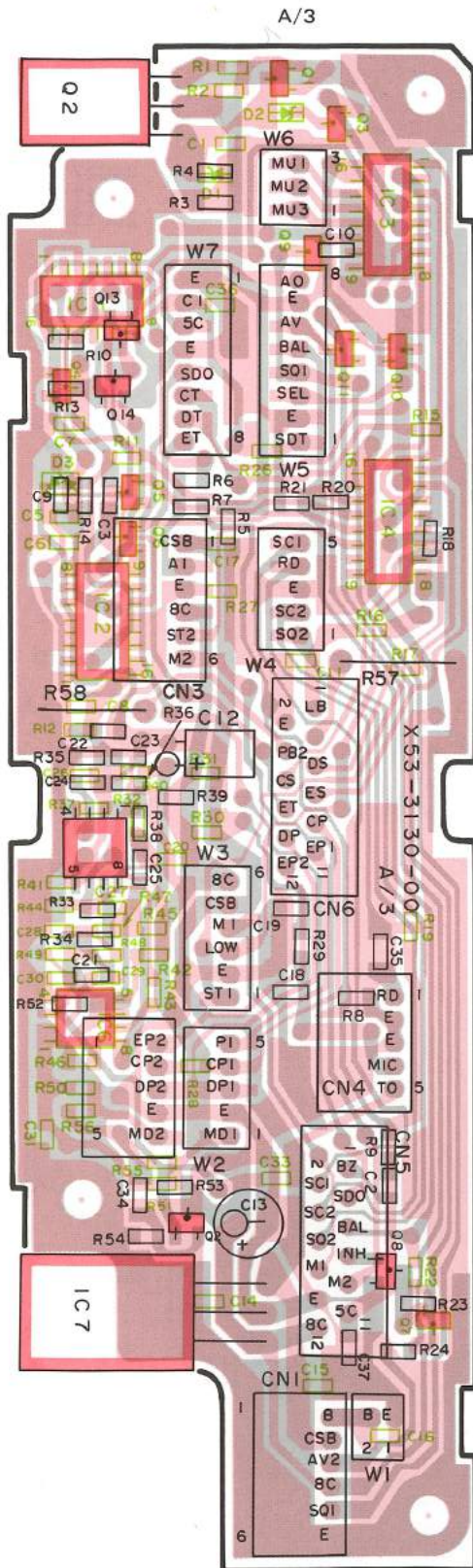


▼220 MHz VCO UNIT B (X58-3450-10)
[Foil side view]



IC1 : M54959FP Q1 ~ 3 : 2SC3324(B) Q4 : 2SC2712 Q101 : 2SK508(K52) Q102 : 2SC3120 Q103 : 2SC2712(Y)
D101,102 : 1SV166 D104 : 1SV164 D103 : MA77

▼CONTROL UNIT (X53-3130-12)
[Component side view]



- IC1 : MN4066BS
- IC2 : LC7532M
- IC3,4 : MN4094BS
- IC5,6 : NJM4558M
- IC7 : μ PC78M08H
- IC102 : LA5006M
- IC103 : 75108G-644-1B
- IC104 : KRR-C001
- Q1, 12, 101, 102 : 2SC2712(Y)
- Q2 : 2SC3419(Y)
- Q3, 4, 7, 9, 10, 13, 14 : DTC114EK
- Q5, 6 : DTA114EK
- Q8 : DTC114TK
- D1 : 02C211Y
- D2 : 02CZ8.2Y
- D3 : 1SS226
- D101, 102, 104 : 1SS184
- D103 : RLS73

PC BOARD VIEW

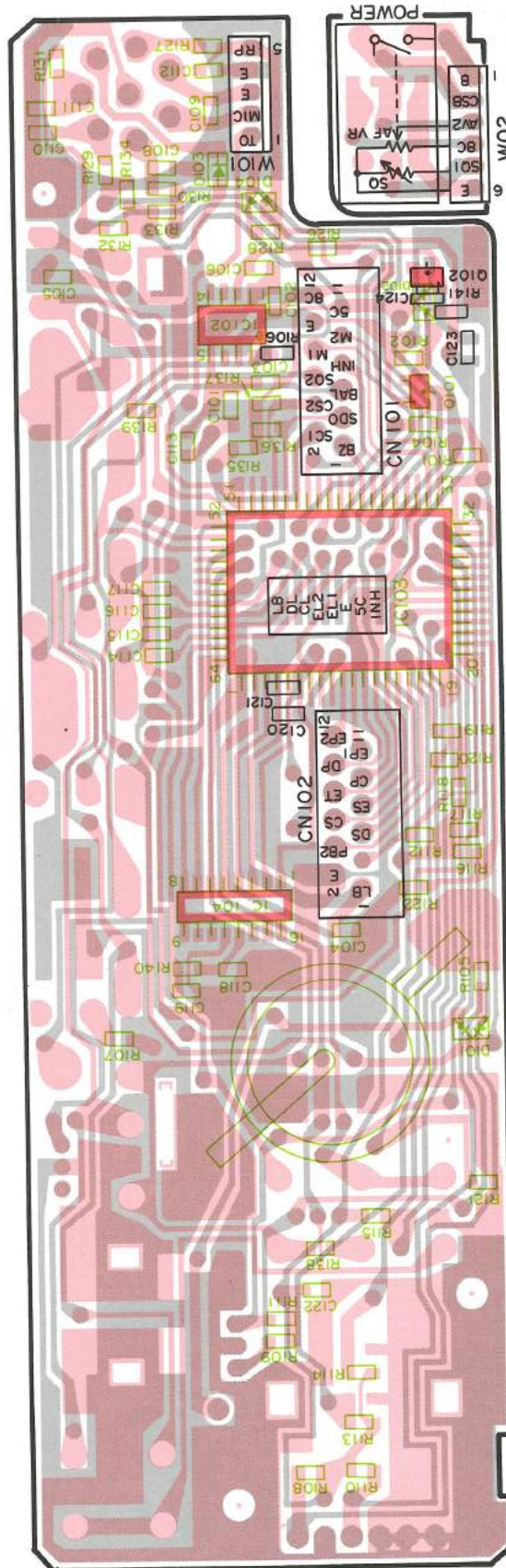
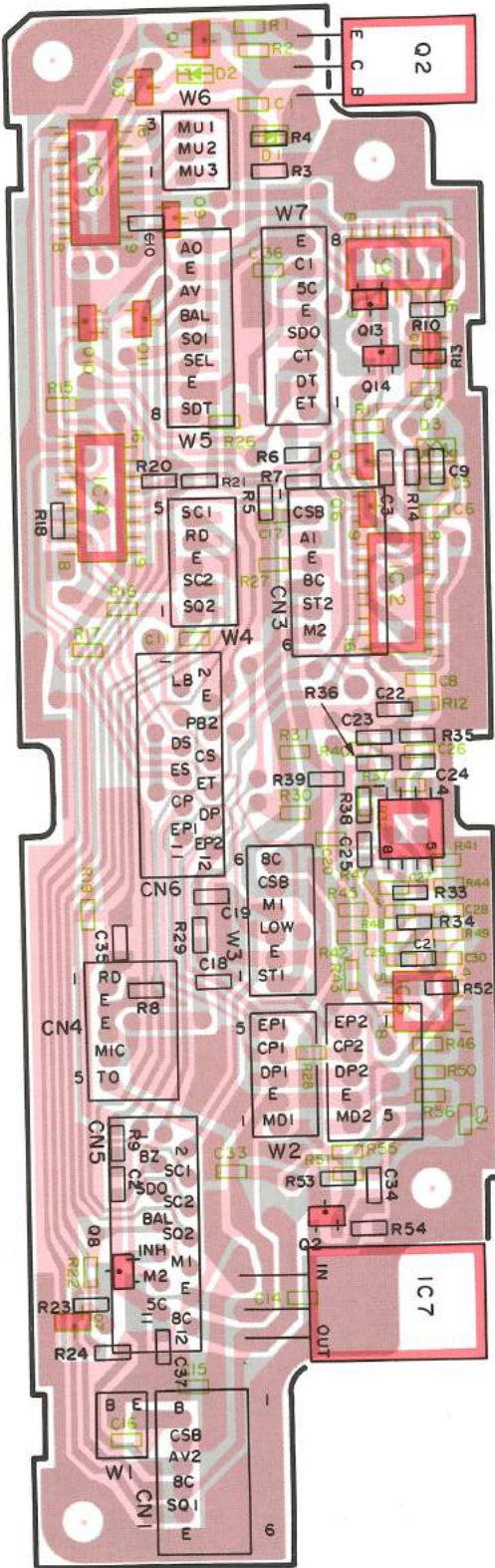
TM-621A

▼CONTROL UNIT (X53-3130-12)

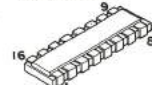
[Foil side view]

B/3

A/3



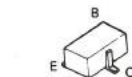
KRR-C001



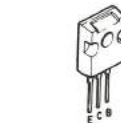
MN4094BS



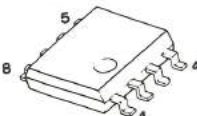
DTA114EK
DTC114EK
DTC114TK
2SC2712



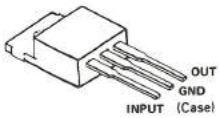
2SC3419



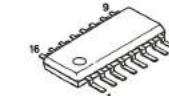
LA5006M
NJM4558M



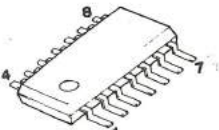
μPC78M08H



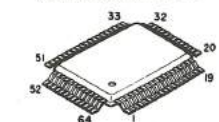
LC7532M



MN4066BS

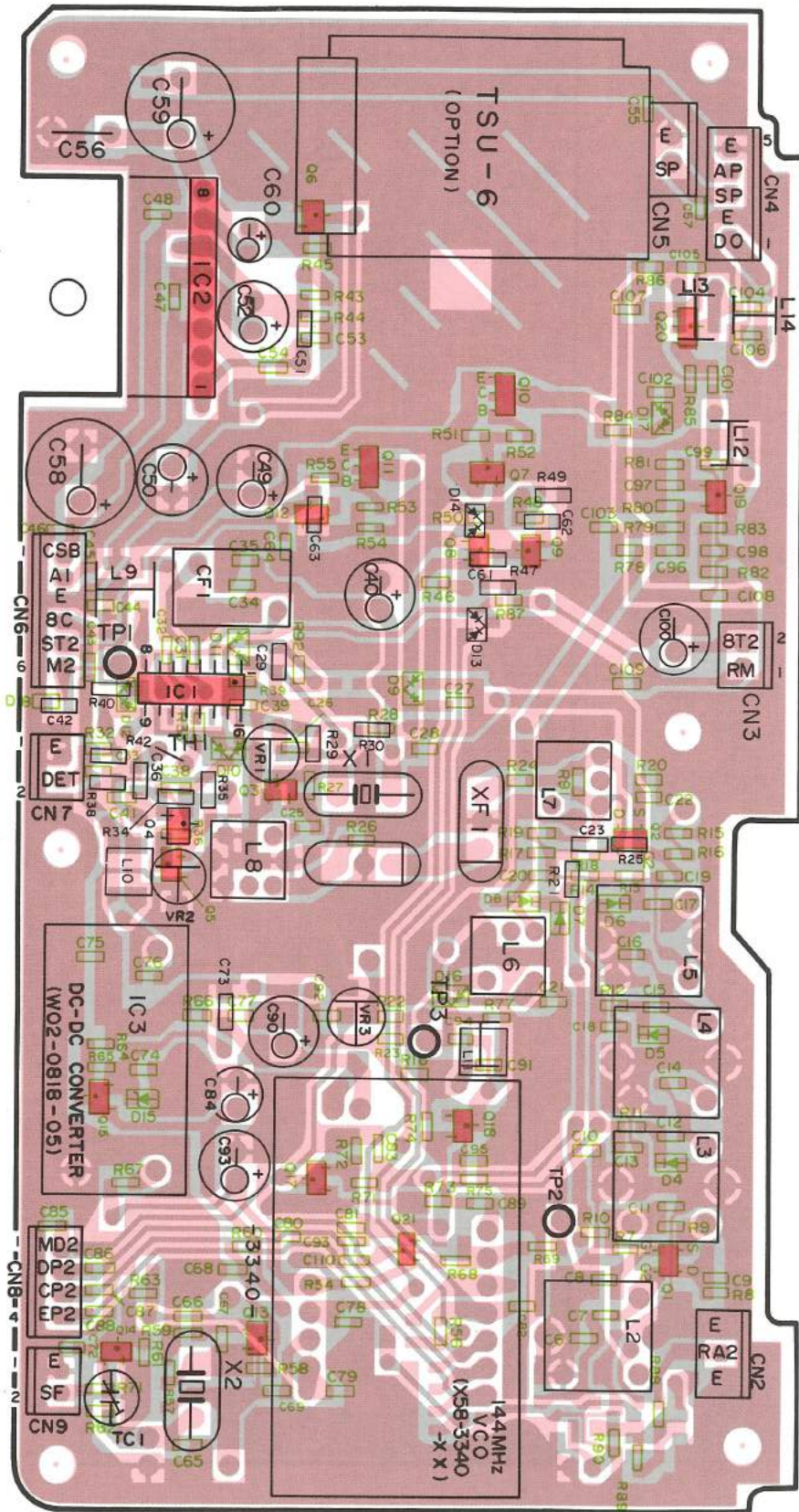


75108G-644-1B



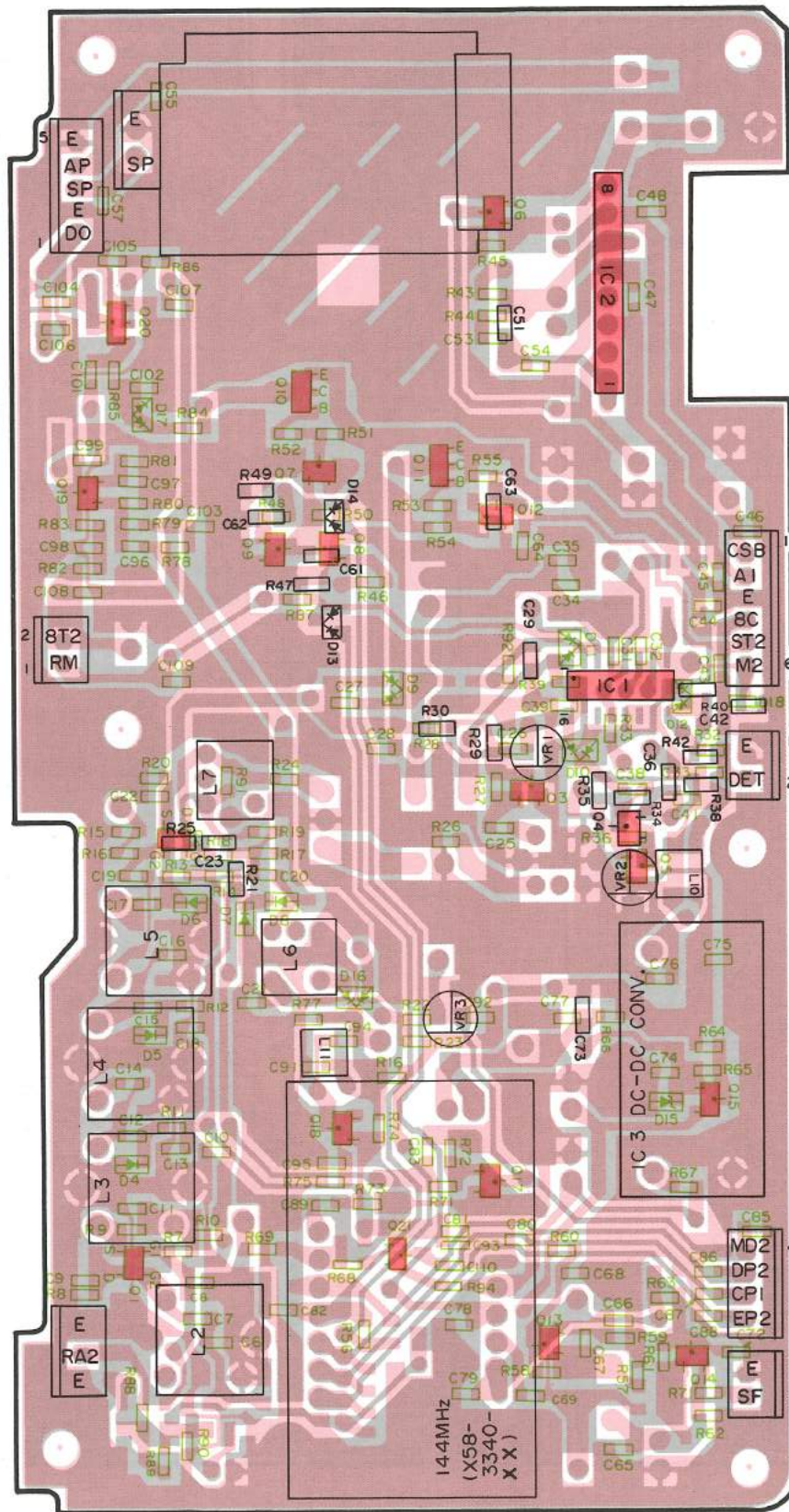
TM-621A PC BOARD VIEW

▼144 MHz TX-RX UNIT (X57-3230-11)
[Component side view]

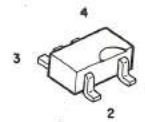


IC1 : MC3361D IC2 : HB3713 IC3 : W02-0818-05 Q1 : 3SK179(L) Q3,13,14,18,19 : 2SC2714(Y)
Q4,5,7~9,15 : 2SC2712(Y) Q6,12 : DTC144EK Q10,11 : 2SB1119S Q17 : 2SC3326(A) Q20 : 2SC2954 Q21 : 2SK208(O)
D9,11~14 : 1SS184 D16 : 1SS268 D4~6,8 : 1SV164 D7 : 1SV166 D10 : HSM88AS D15 : 02CZ6.2(X,Y) D17 : 1SS181
D18 : 02CZ4.3(X,Y)

▼ 144 MHz TX-RX UNIT (X57-3230-11)
[Foil side view]



3SK179



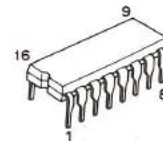
DTA143EK
DTC144EK
2SC2712
2SC2714
2SC3326 (A)



2SB1119S
2SC2954



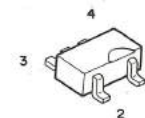
MC3361D



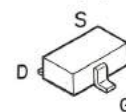
MB3713



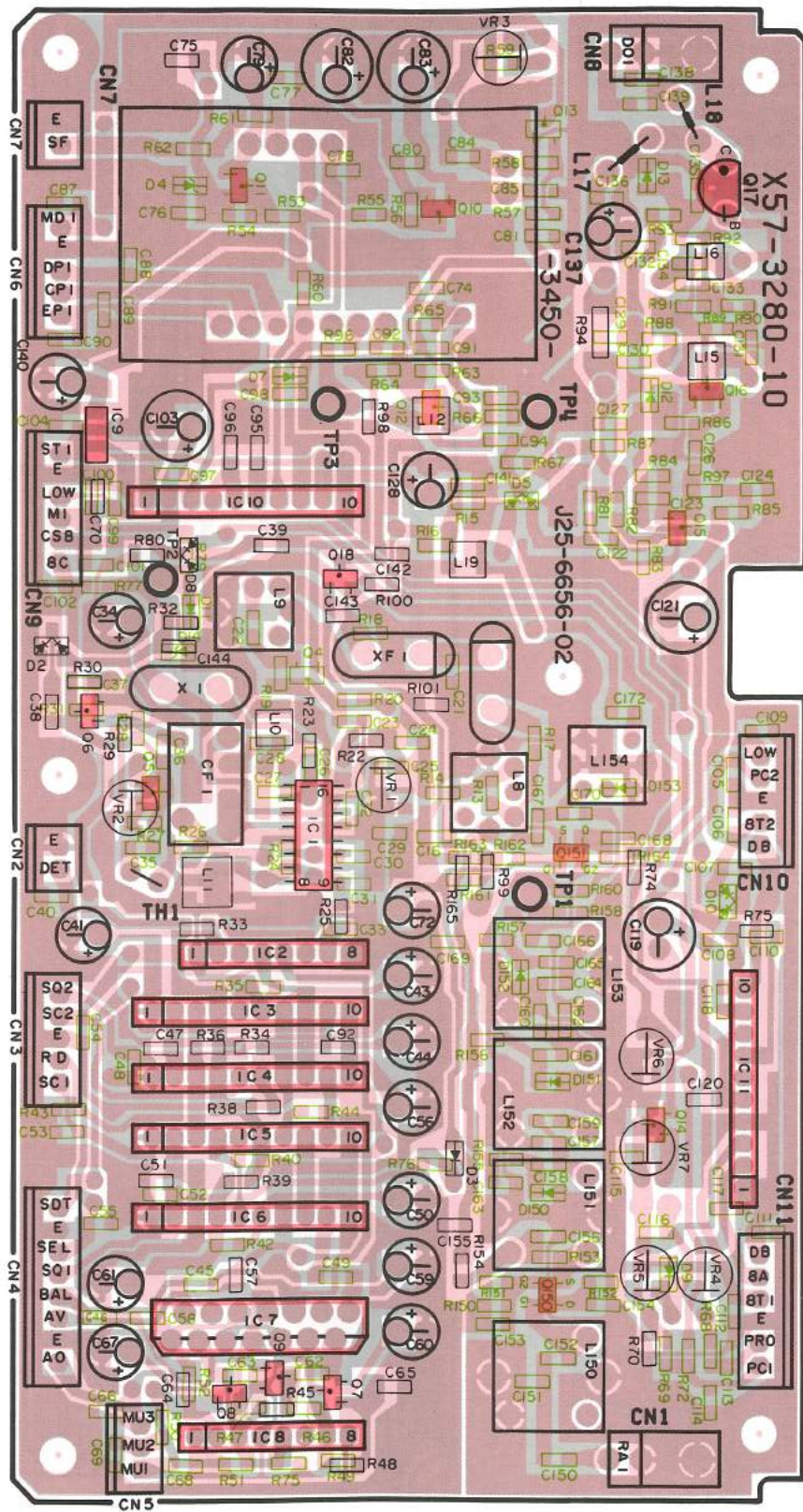
3SK184



2SK208(O)



▼220 MHz TX-RX UNIT (X57-3280-10)
 [Component side view]

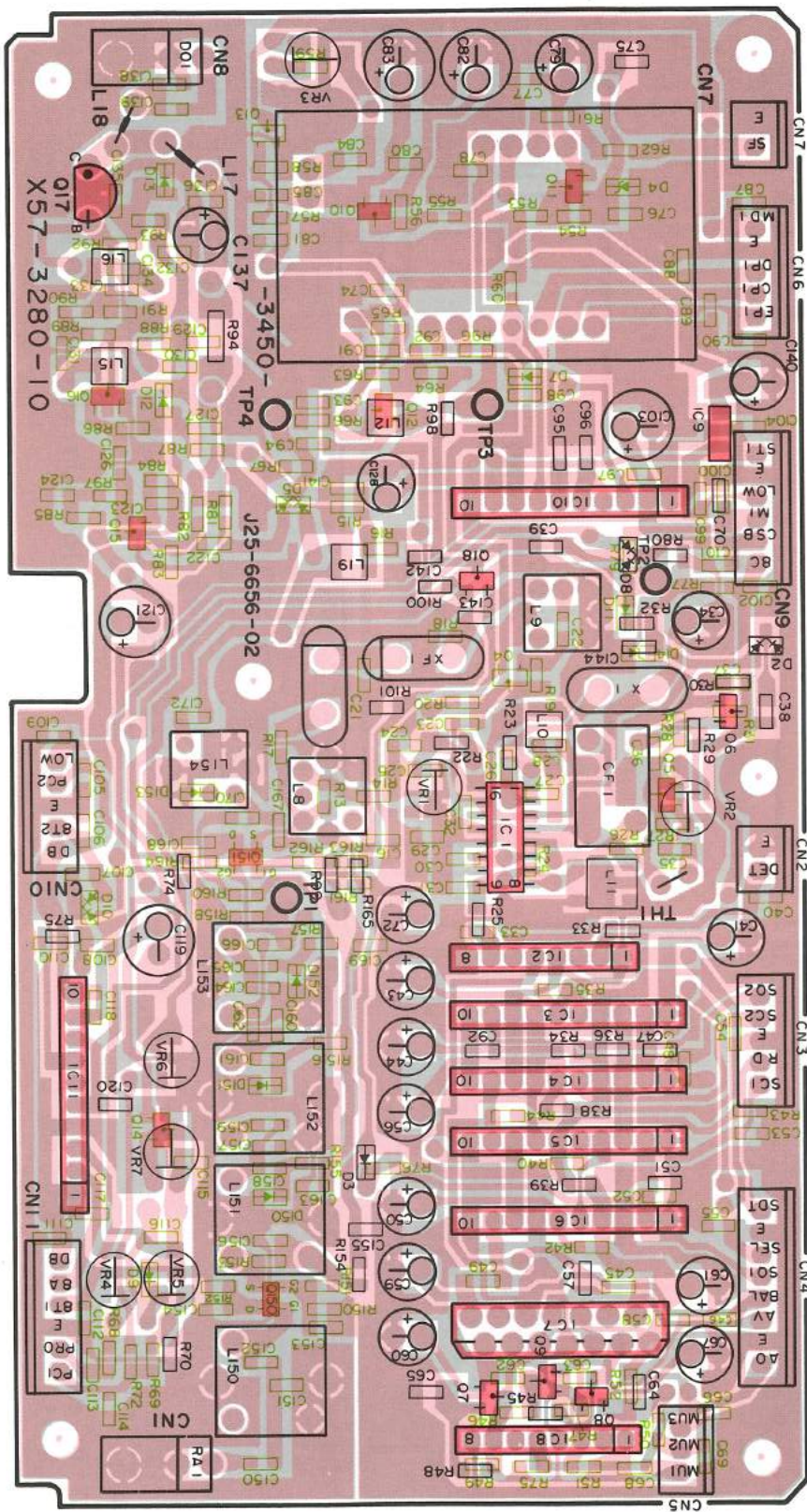


- IC1 : MC3361D IC2 : KCS02 IC3,5 : KCA01 IC4,6 : KCA02 IC7 : M51523AL IC8 : KCE01 IC9 : NJM78L08UA
- IC10 : KCS01 IC11 : KCC01
- Q150,151 : 3SK184(S) Q4,15 : 2SC2714(Y) Q5,6,10,11 : 2SC2712(Y) Q7,8,13 : 2SC3326(A)
- Q9,14 : DTC124EK Q12 : 2SC2759(U23) Q16 : 2SC3357 Q17 : 2SC2407 Q18 : 2SK208 (O)
- D1,3,7,8,10,11 : 1SS184 D2 : HSM88AS D4 : 02CZ6.2(X,Y) D5 : 1SV268 D12,13 : 1SS181 D14 : 02ZA.3(X,Y)
- D150 ~ 153 : 1SV164

PC BOARD VIEW

TM-621A

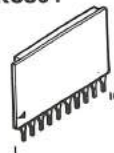
▼220 MHz TX-RX UNIT (X57-3280-10)
[Foil side view]



2SC3357



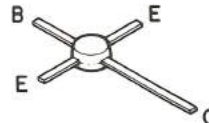
KCA01
KCA02
KCC01
KCS01



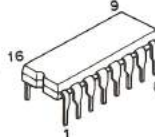
DTC124EK
2SC2712
2SC2714
2SC2759
2SC3326 (A)



2SC2407



MC3361D



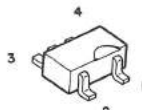
NJM78L08UA



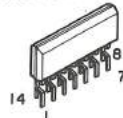
2SK208 (O)



3SK184



M51523AL

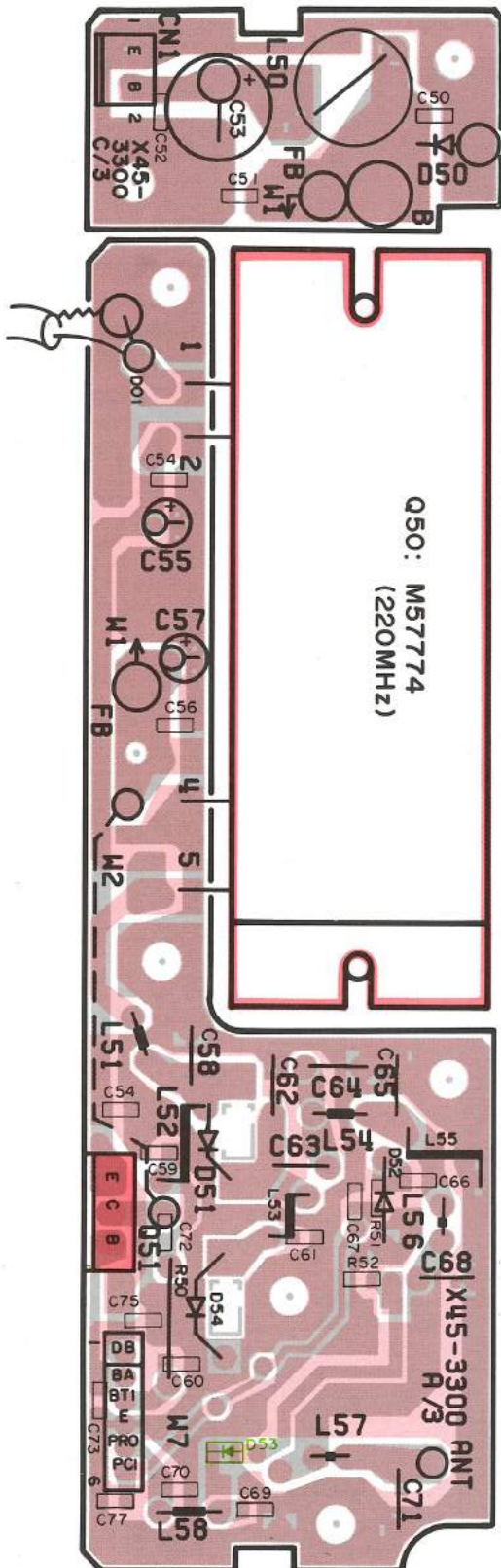


KCE01
KCS02

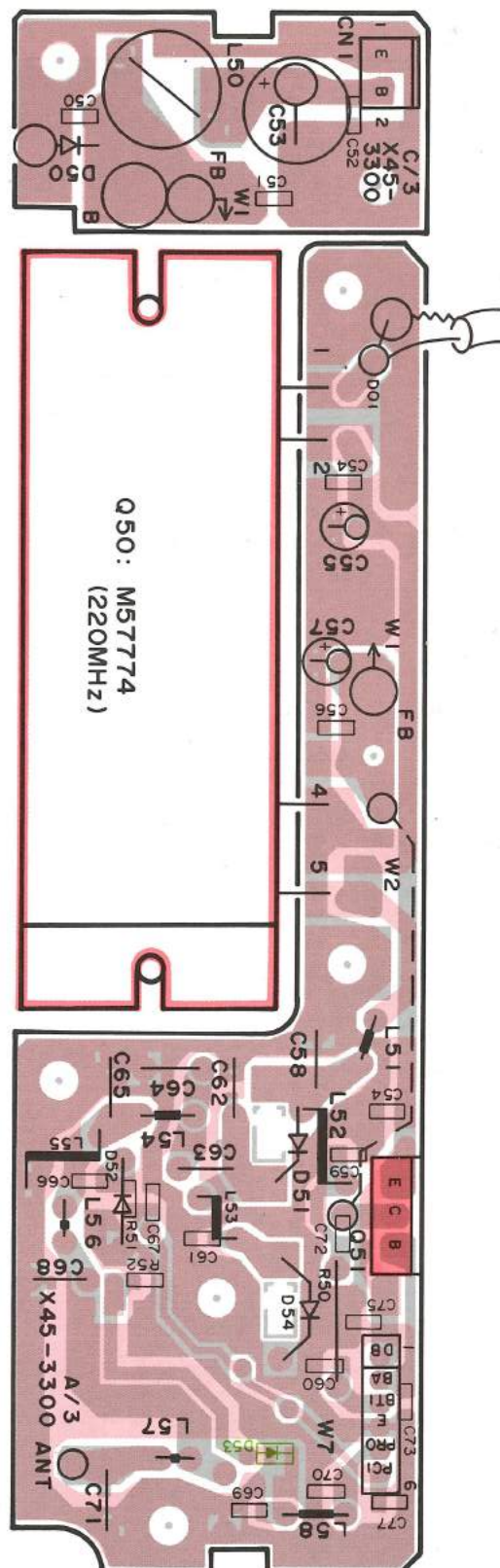


TM-621A PC BOARD VIEW

▼FINAL UNIT (X45-3300-10 A/3)
[Component side view]

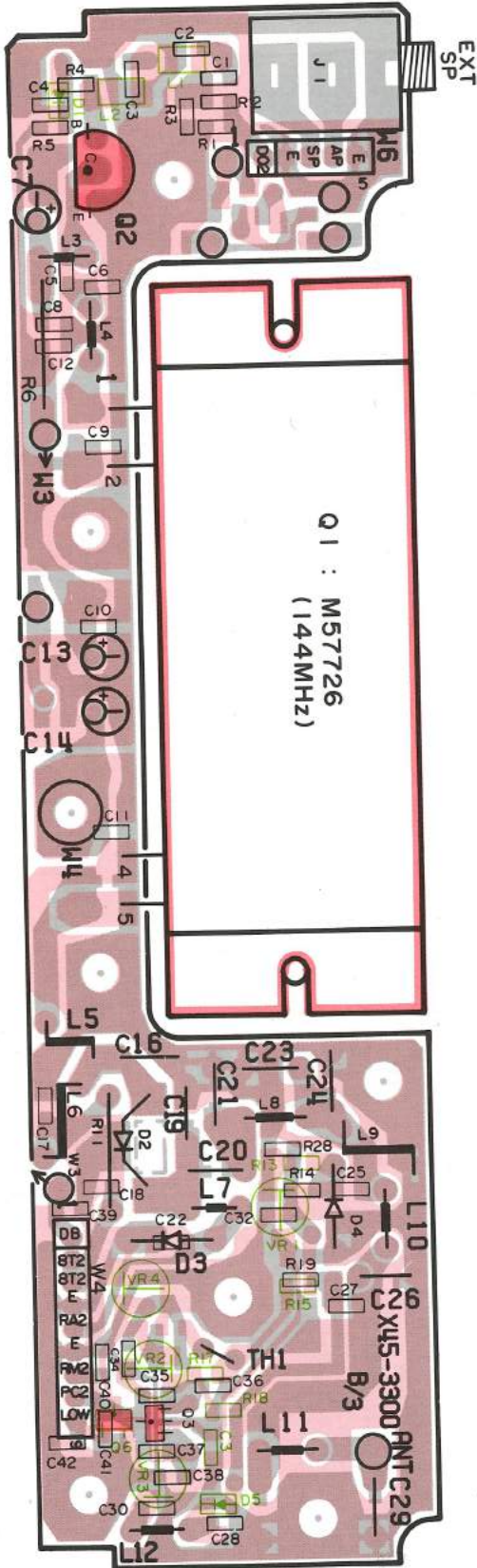


▼FINAL UNIT (X45-3300-10 A/3)
[Foil side view]

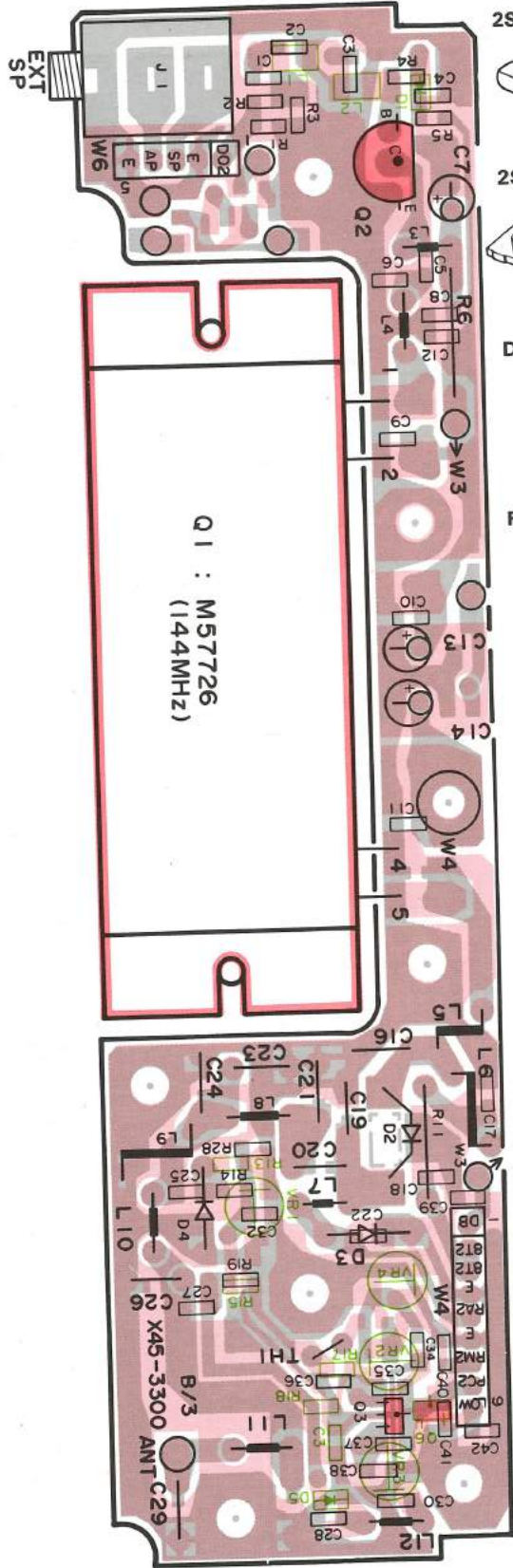


Q1 : M57726 Q2 : 2SC2538-22-A Q3 : FMW1 Q6 : DTC114EK Q50 : M5774 Q51 : 2SD1406 (Y) D1,5,53 : 1SS184 D2 : UM9401
D3,54 : MI308 D4,52 : 1SS101 D50 : DSA3A1 D51 : MU407

▼FINAL UNIT (X45-3300-10 B/3)
[Component side view]



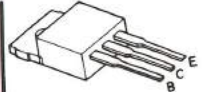
▼FINAL UNIT (X45-3300-10 B/3)
[Foil side view]



2SC2538-22-A



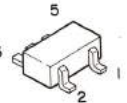
2SD1406



DTC114EK



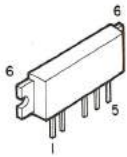
FMW1



M57726

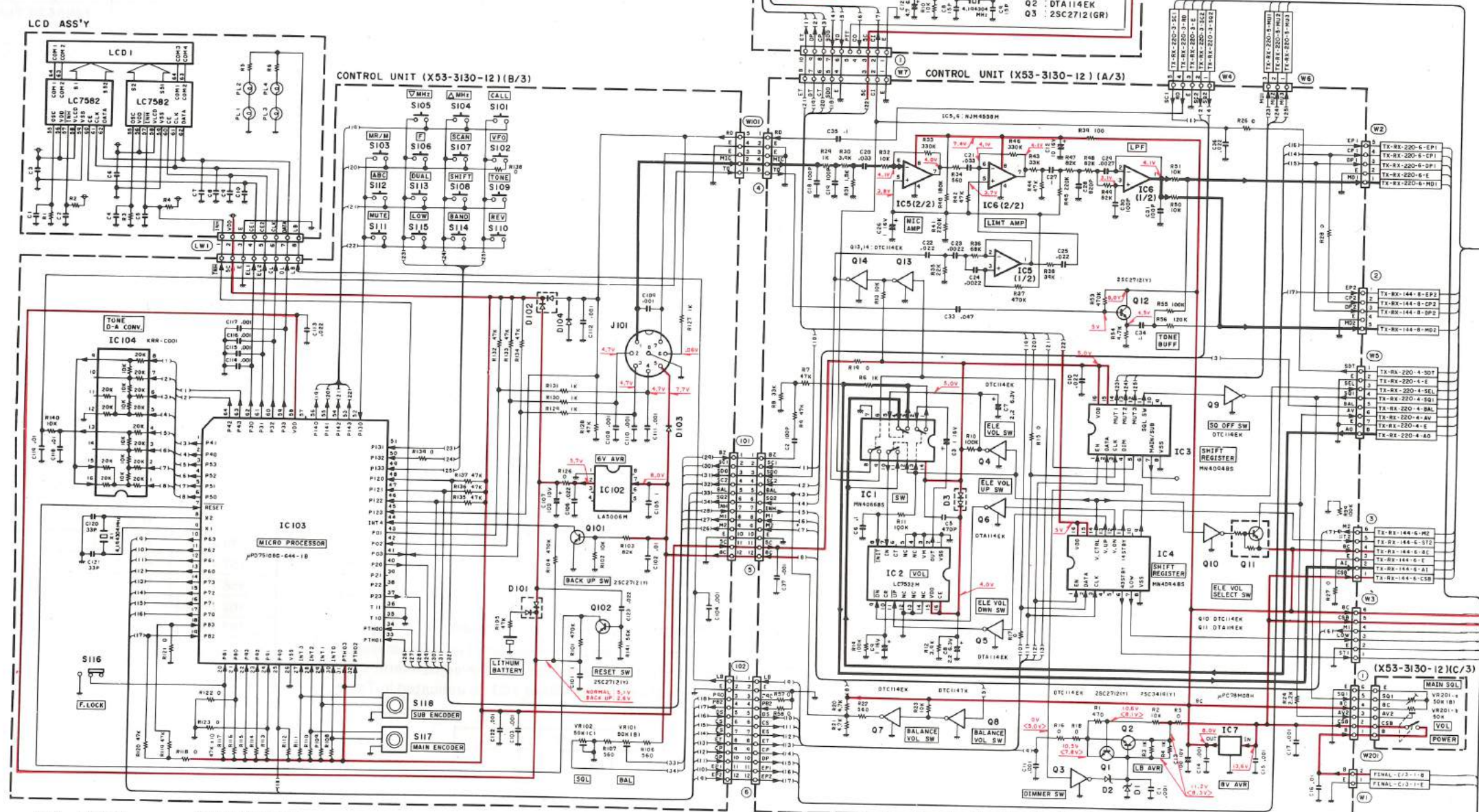


M57774



Voltage measurement conditions f = 146.06 MHz or 222.54 MHz, RX no signal, ():TX.

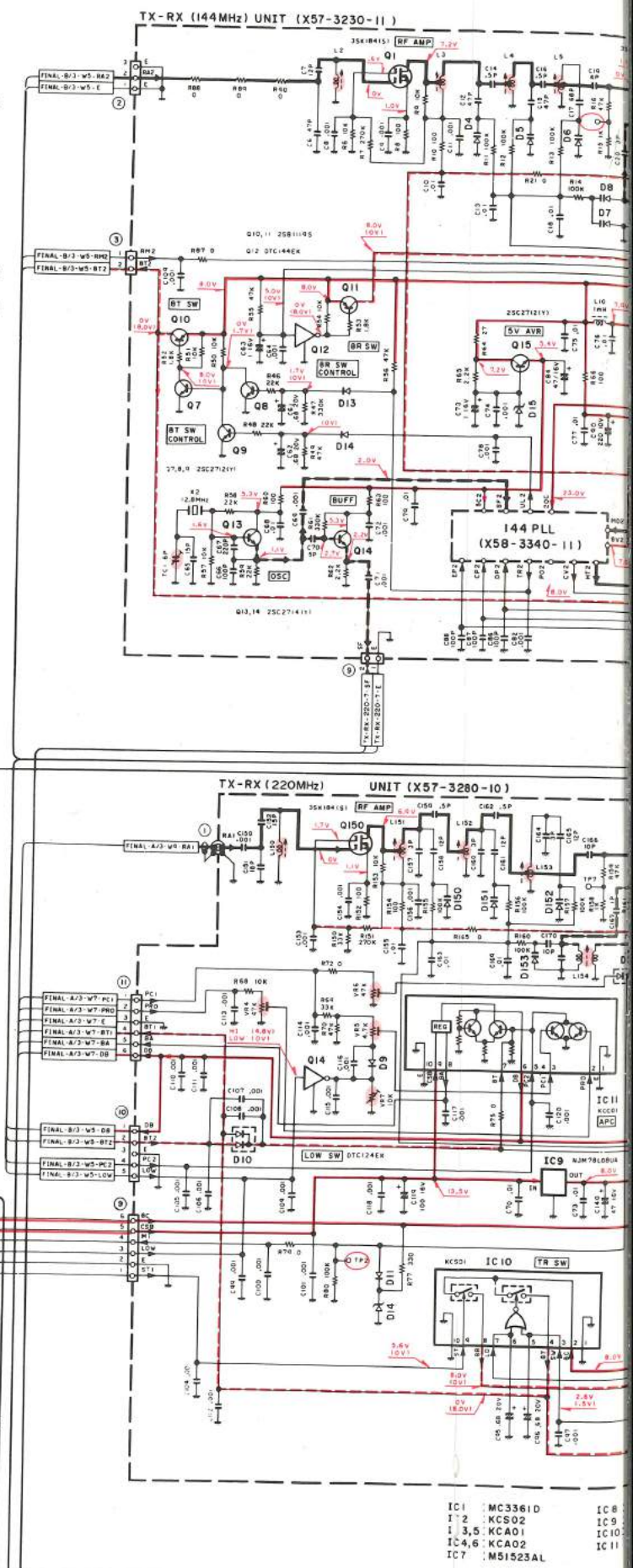
— Signal line — Control line — Common DC line



IC102 : LA5006M
 IC103 : 75108G-664-1B
 IC104 : KRR-C001
 Q101, 102 : 25C2712(Y)
 D101, 102, 104 : ISS184
 D103 : RLS-73

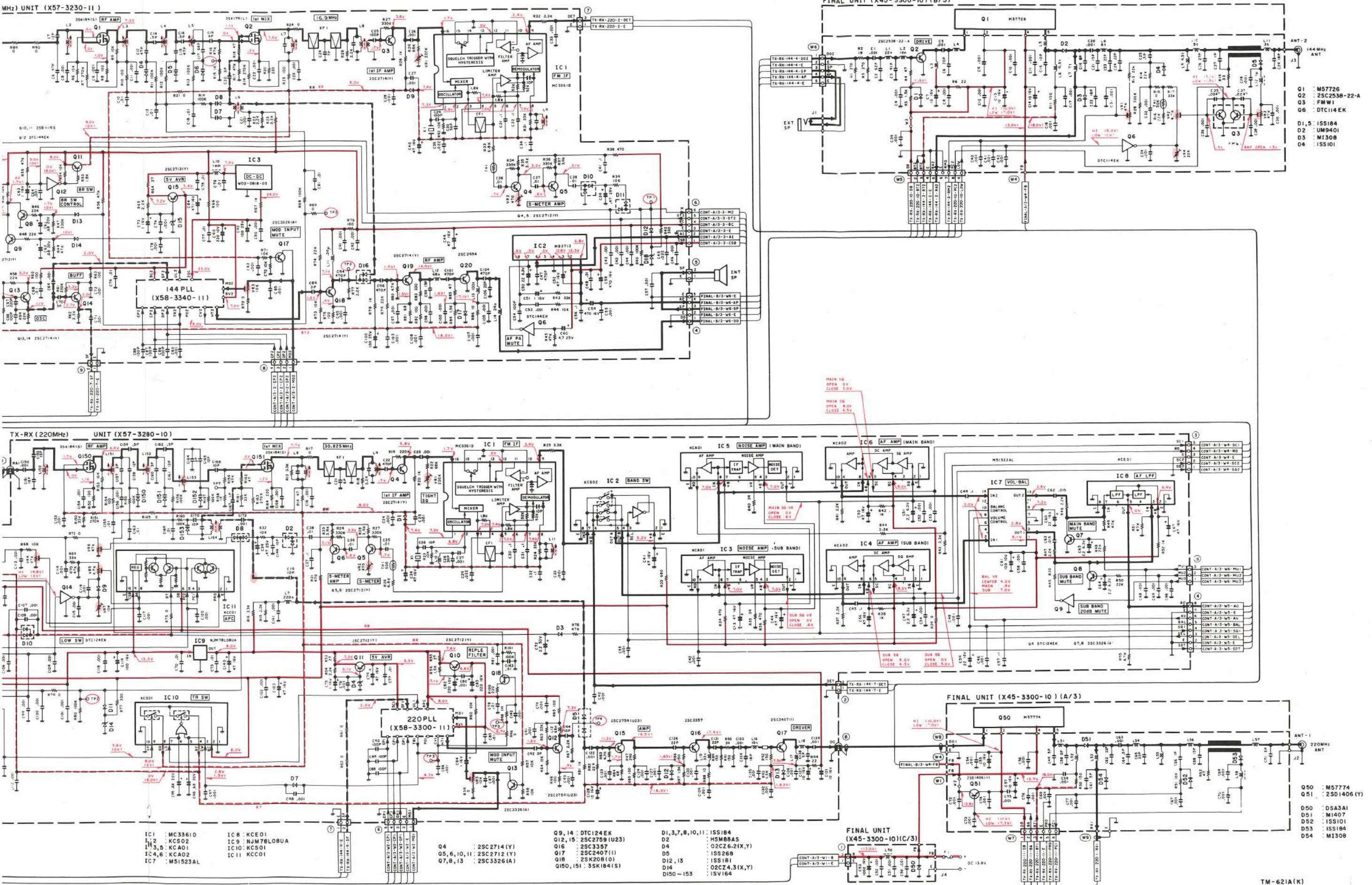
IC1 : MN4066BS
 IC2 : LC7532M
 IC3,4 : MN4094BS
 IC5,6 : NJM4558M
 IC7 : JPC78M08H
 Q1, 12 : 25C2712(Y)
 Q2 : 25C3419(Y)
 Q3, 4, 7, 9, 10 : 13, 14
 Q5, 6, 11 : DTC114EK
 Q8 : DTC114TK
 D1 : 02C211Y
 D2 : 02C28.2Y
 D3 : ISS226

IC1 : MC3361D
 IC2 : MB3713
 IC3 : W02-0818-05
 Q1 : 3SK184(S)
 Q2 : 3SK179(L)
 Q3, 13, 14, 18, 19 : 25C2714(Y)
 Q4, 5, 7, 8, 9, 15 : 25C2712(Y)
 Q6, 12 : DTC144EK
 Q10, 11 : 25B1119S
 Q17 : 25C3526(A)
 Q20 : 25C2954
 D4 ~ 8 : ISS164
 D9, 11 ~ 14 : ISS184
 D10 : HSM88AS
 D15 : 02C26.2(X,Y)
 D16 : ISS268
 D17 : ISS181
 D18 : 02C24.3(X,Y)



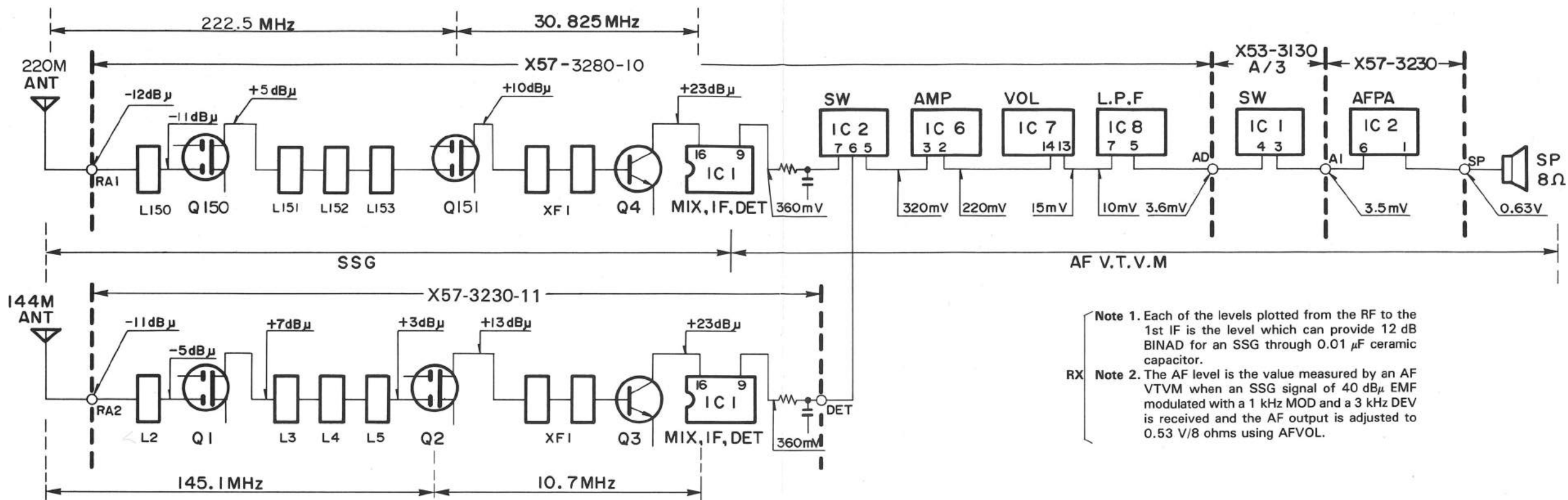
IC1 : MC3361D
 IC2 : KCS02
 IC3,5 : KCA01
 IC4,6 : KCA02
 IC7 : M51252AL
 IC8 : KCS02
 IC9 : KCA01
 IC10 : KCA02
 IC11 : M51252AL

SCHEMATIC DIAGRAM TM-621A



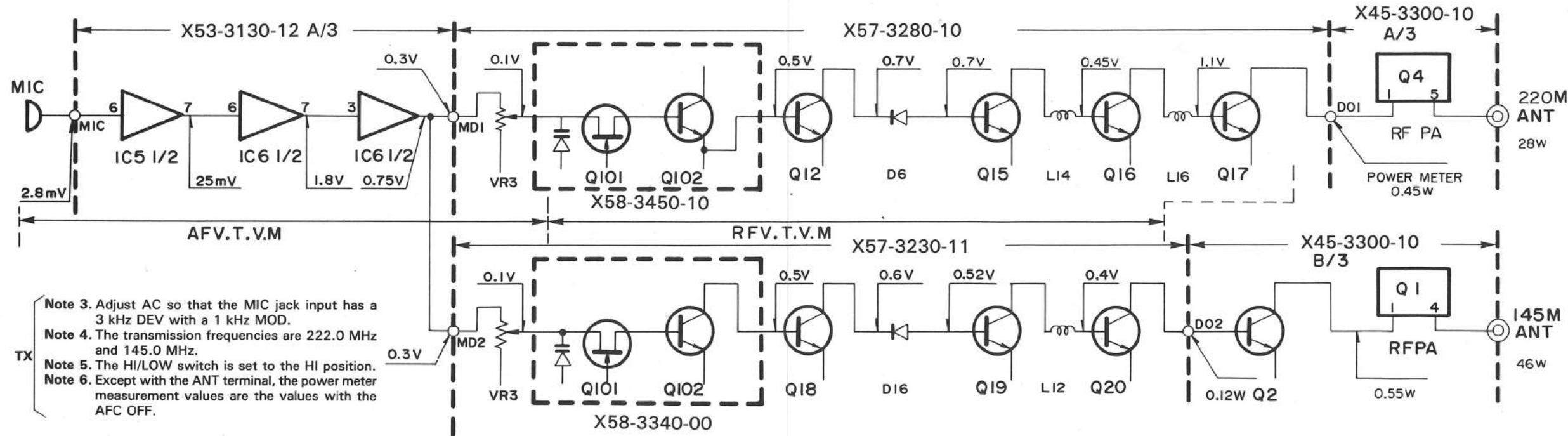
TM-621A TM-621A

LEVEL DIAGRAM



Note 1. Each of the levels plotted from the RF to the 1st IF is the level which can provide 12 dB BINAD for an SSG through 0.01 μF ceramic capacitor.

Note 2. The AF level is the value measured by an AF VTVM when an SSG signal of 40 dBμ EMF modulated with a 1 kHz MOD and a 3 kHz DEV is received and the AF output is adjusted to 0.53 V/8 ohms using AFVOL.



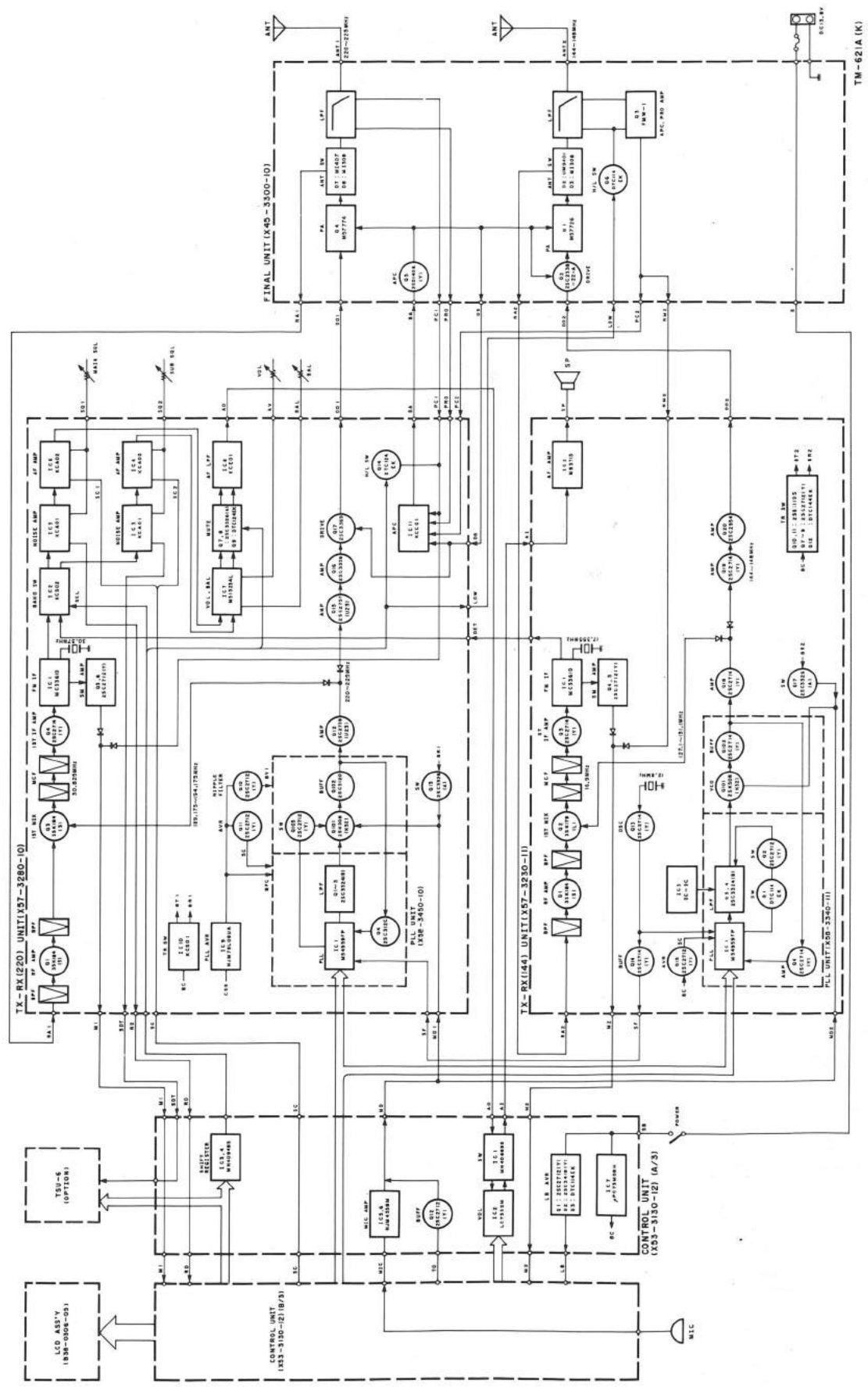
Note 3. Adjust AC so that the MIC jack input has a 3 kHz DEV with a 1 kHz MOD.

Note 4. The transmission frequencies are 222.0 MHz and 145.0 MHz.

Note 5. The HI/LOW switch is set to the HI position.

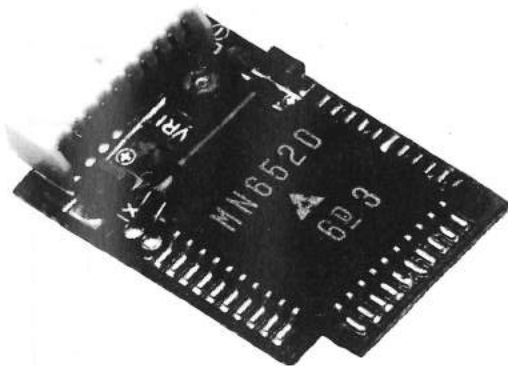
Note 6. Except with the ANT terminal, the power meter measurement values are the values with the AFC OFF.

BLOCK DIAGRAM



TSU-6 (CTCSS UNIT)

TSU-6 EXTERNAL VIEW



TSU-6 Reference Information

Relationship Between the Main Unit Mode and the MN4094BS (IC2)

CTCSS Switch	TONE Switch	TX/RX	MN4094BS Terminals		
			Q5	Q6	Q1~4, 7, 8
OFF	OFF	TX	L	H	L
		RX	L	H	L
	ON	TX	L	L	See Table 2.
		RX	L	H	L
ON	OFF	TX	L	L	See Table 2.
		RX	H	L	
	ON	TX	L	L	
		RX	H	L	

Q1~4, 7, 8: Tone frequency setting
 Q5: MN6520 (IC1) TX/RX switching.
 Q6: MN6520 (IC1) power switching.
 "H": OFF, "L": ON.
 "H": RX, "L": TX.

Table 1

Relationship Between Tone Frequency and the MN6520 (IC1)

Tone Frequency (Hz)	MN6520 Terminals					
	S6	S5	S4	S3	S2	S1
	MN4094 Terminals					
	Q1	Q2	Q3	Q4	Q7	Q8
67.0	L	H	H	H	L	H
71.9	L	H	H	H	L	L
74.4	L	H	H	L	H	H
77.0	L	H	H	L	H	L
79.7	L	H	H	L	L	H
82.5	L	H	H	L	L	L
85.4	L	H	L	H	H	H
88.5	L	H	L	H	H	L
91.5	L	H	L	H	L	H
94.8	H	H	H	L	L	H
100.0	H	H	H	L	L	L
103.5	H	H	L	H	H	H
107.2	H	H	L	H	H	L
110.9	H	H	L	H	L	H
114.8	H	H	L	H	L	L
118.8	H	H	L	L	H	H
123.0	H	H	L	L	H	L
127.3	H	H	L	L	L	H
131.8	H	H	L	L	L	L
136.5	H	L	H	H	H	H
141.3	H	L	H	H	H	L
146.2	H	L	H	H	L	H
151.4	H	L	H	H	L	L
156.7	H	L	H	L	H	H
162.2	H	L	H	L	H	L
167.9	H	L	H	L	L	H
173.8	H	L	H	L	L	L
179.9	H	L	L	H	H	H
186.2	H	L	L	H	H	L
192.8	H	L	L	H	L	H
203.5	H	L	L	H	L	L
210.7	H	L	L	L	H	H
218.1	H	L	L	L	H	L
225.7	H	L	L	L	L	H
233.6	H	L	L	L	L	L
241.8	L	H	H	H	H	H
250.3	L	H	H	H	H	L

Table 2

TSU-6 PARTS LIST

* New parts

Ref. No.	New Parts	Parts No.	Description
CTCSS UNIT (X53-3100-00)			
C1		CK73FB1H102K	Chip C 1000pF K
C2		C92-0010-05	Tan. C 6.8μF 6.3WV
C3		C92-0006-05	Tan.C 3.3μF 4.0WV
C4,5		CK73EB1E104K	Chip C 0.1μF K
C6		CK73EB1H223K	Chip C 0.022μF K
C7		CK73EB1E104K	Chip C 0.1μF K
C8,9		CC73FCH1H150J	Chip C 15pF J
C10		CK73FB1H102K	Chip C 1000pF K
C11		CK73EB1E104K	Chip C 0.1μF K
C12		C92-0507-05	Chip tan. C 4.7μF 6.3WV
C13		C92-0510-05	Chip tan. C 3.3μF 4WV
		E40-5121-05	Pin ass'y socket (10P)
X1		L77-1313-05	X'tal 4.194304 MHz
R1~10		RK73FB2A000J	Chip R
R12~14		RK73FB2A000J	Chip R
VR1		R12-3460-05	Semi-fixed R 33 kΩ
Q1		DTC144TK	DIGITAL TR
Q2		DTA114EK	DIGITAL TR
Q3		2SC2712(GR)	Chip TR
IC1		MN6520	IC
IC2		MN4094BS	IC

TSU-6 Frequency Fine-Adjustment

The tone frequency can be fine-adjusted in 0.5% steps, in the range from 0 to +1.5%. For the fine-adjustment, connect T1 (pin 10) and T2 (pin 9) of 101 as indicated in Table 3.

	T1	T2
0%	X	X
+0.5%	○	X
+1.0%	X	○
+1.5%	○	○

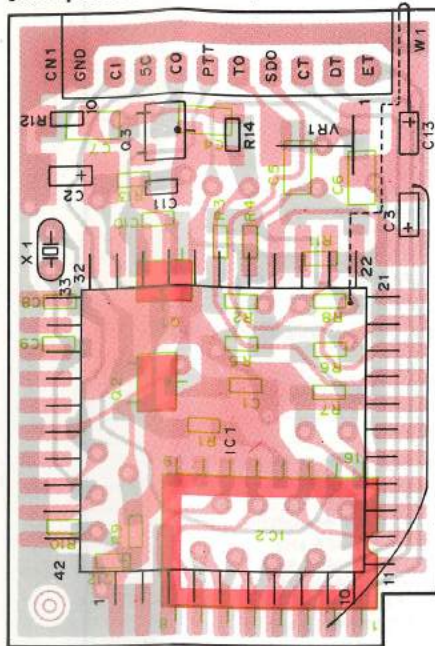
○ : GND, X : OPEN

Table 3

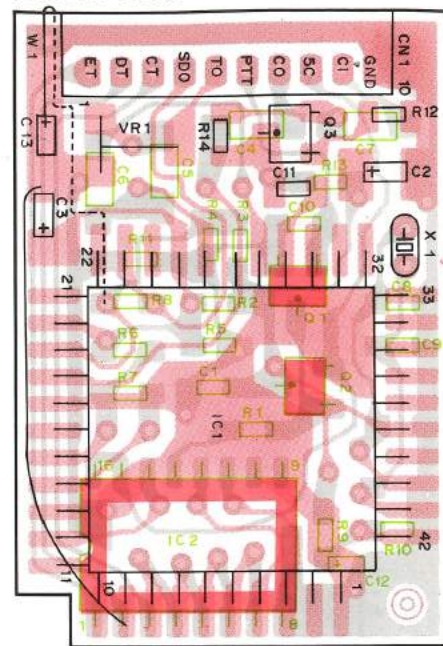
TSU-6 (CTCSS UNIT)

TSU-6 PC BOARD VIEW

[Component side view]



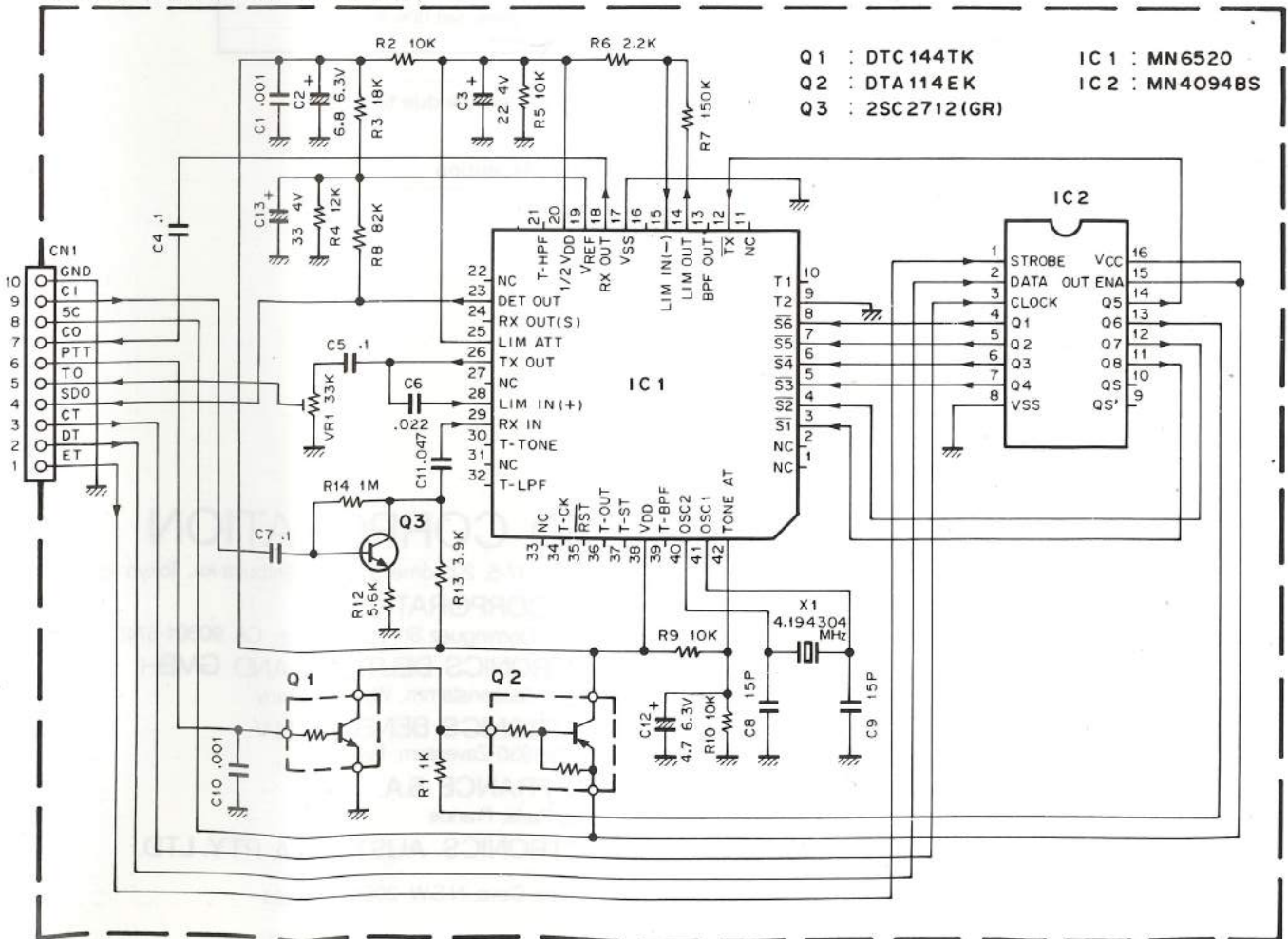
[Foil side view]



■ : Components side pattern
 ■ : Foil side pattern

TSU-6 SCHEMATIC DIAGRAM

CTCSS UNIT (X52-3100-00)



SPECIFICATIONS

Model		TM-621A	
Specifications			
General	Frequency range	144 to 148 MHz 220 to 225 MHz	
	Mode	F3E (FM)	
	Antenna impedance	50 ohms	
	Power requirements	13.8 VDC \pm 15%	
	Ground	Negative	
	Current drain	Transmit mode	Less than 9.5 A
		Receive mode with no signal	Less than 0.6 A
	Operating temperature	-20°C to +60°C (-4°F to +140°F)	
	Dimensions (W x H x D) (Projections included)	150 x 50 x 219 mm (5.9" x 2" x 8.6")	
	Weight	1.8 kg (3.97 lbs)	
Transmitter	Output power*	HI 144 MHz: 45 W, 220 MHz: 25 W, 430/440 MHz: 35 W	
		LOW 5 W	
	Modulation	Reactance modulation	
	Spurious radiation	Less than -60 dB	
	Maximum frequency deviation	\pm 5 kHz	
	Audio distortion (at 60% modulation)	Less than 3% (300 to 3000 Hz)	
	Microphone impedance	500 to 600 ohms	
Receiver	Circuitry	Double conversion superheterodyne	
	Intermediate frequency	U.S.A. version 144 MHz: 16.9 MHz/455 kHz, 220 MHz: 30.825 MHz/455 kHz, 440 MHz: 21.6 MHz/455 kHz	
		Other market 144 MHz: 10.7 MHz/455 kHz, 430 MHz: 30.825MHz/455 kHz	
	Sensitivity(12 dB SINAD)	144 MHz: Less than 0.2 μ V, 220 MHz: Less than 0.18 μ V, 430/440 MHz: Less than 0.16 μ V	
	Seiectivity	-6 dB: More than 12 kHz, -60 dB: Less than 24 kHz	
	Spurious response	Better than 60 dB	
	Squelch sensitivity	Less than 0.09 μ V	
Output	More than 2 W across 8 ohms load (5% distortion)		
External speaker impedance	8 ohms		

Notes:

1. Circuit and ratings are subject to change without notice due to advancement in technology.
2. * : Recommended duty cycle:
1 minute : Transmission, 3 minutes : Reception

KENWOOD CORPORATION

Shionogi Shibuya Building, 17-5, 2-chome Shibuya, Shibuya-ku, Tokyo 150, Japan

KENWOOD U.S.A. CORPORATION

P.O. BOX 22745, 2201 East Dominguez St., Long Beach, CA 90801-5745, U.S.A.

KENWOOD ELECTRONICS DEUTSCHLAND GMBH

Rembrücker Str. 15, 6056 Heusenstamm, West Germany

KENWOOD ELECTRONICS BENELUX N.V.

Mechelsesteenweg 418 B-1930 Zaventem, Belgium

TRIO-KENWOOD FRANCE S.A.

5, Boulevard Ney, 75018 Paris, France

KENWOOD ELECTRONICS AUSTRALIA PTY. LTD.

(INCORPORATED IN N.S.W.)

4E. Woodcock Place, Lane Cove, N.S.W. 2066, Australia