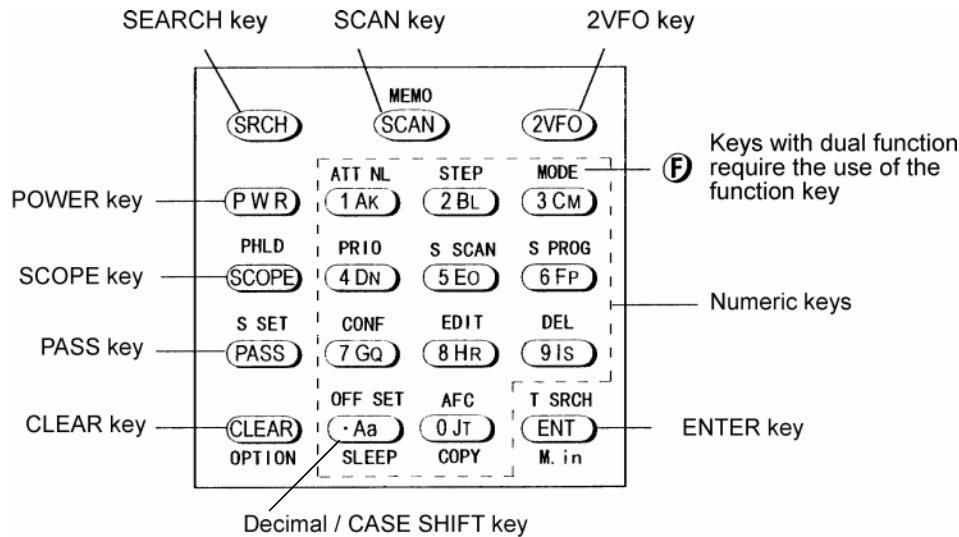




AR8200 SERIES II - hand portable radio receiver ADDENDUM (paperwork V1.0)

Due to continuous development of our products, the AR8200 SERIES II has been developed which differs from the original AR8200 in a few areas, please note the following changes to the AR8200 operating manual:

1 The front 'ten-key' keypad has been rearranged in line with customer requests placing the '0' zero key underneath the '8' eight key as standard practice with push button telephones. On page 9 section 1-5-1 of the English language operating manual, the graphic should now look like:



2 The AR8200 SERIES II now features a built-in TCXO (Temperature Controlled Crystal Oscillator) in place of the reference crystal. This ensures the best levels of frequency stability and minimum spuri.

3 In place of the previous rubber covered compact whip aerial is a telescopic whip on a swivel base. This provides the very best performance, especially on the VHF bands with the ability to adjust the length of the telescopic whip aerial to 'peak' received signal strength (the higher the frequency, the shorter the aerial). An alternative flexible smaller whip aerial (DA900) is available as an option where durability and smaller size is important. Please refer to page 7 section 1-4 of the English language operating manual, line two of the table should now read "telescopic whip aerial"

4 The relationship between level squelch and signal meter has been revised. This affects VFO SEARCH LEVEL SQUELCH (page 47 section 4-4-3 of the English language operating manual), SCAN LEVEL SQUELCH (page 68 section 7-8-2 of the English language operating manual) and PROGRAM SEARCH LEVEL SQUELCH (page 84 section 8-7-2 of the English language operating manual).

In each case, the following table replaces that previously employed:

1	2	3	4	5	6	7	8	9	10	11	12	13	14
8	13	18	24	29	35	39	44	50	55	58	62	71	77

The typical level at which the "★" legend will be extinguished is now in the region of 5 - 60.

5 High capacity NiCads are supplied with the AR8200, to ensure that a completely full charge is established, please assume the full charge time of 14 hours, this replaces the reference to 12 hours given on page 19 section 1-6-4 of the English language operating manual.

6 The design of the battery compartment and compartment cover has been revised to assist the easy replacement of batteries, refer to page 16 section 1-6-1 of the English language operating manual. The cabinet colour of the AR8200 has also been changed from green to black.