

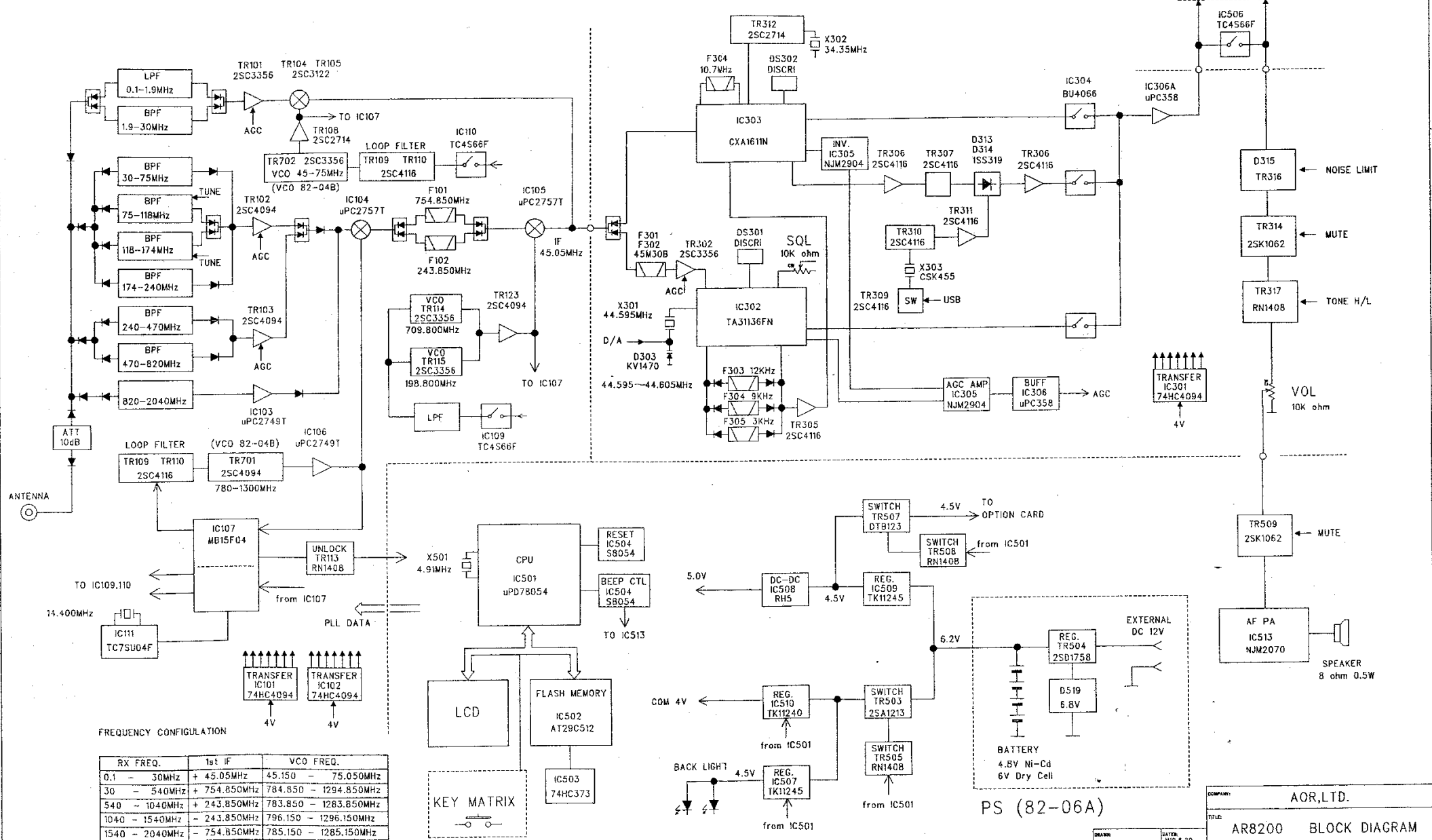
# BLOCK DIAGRAM

Downloaded by  
Amateur Radio Directory

REVISION RECORD			
REV.	REV. NO.	APPROVED	DATE

RF (82-01B)

IF (82-02A)



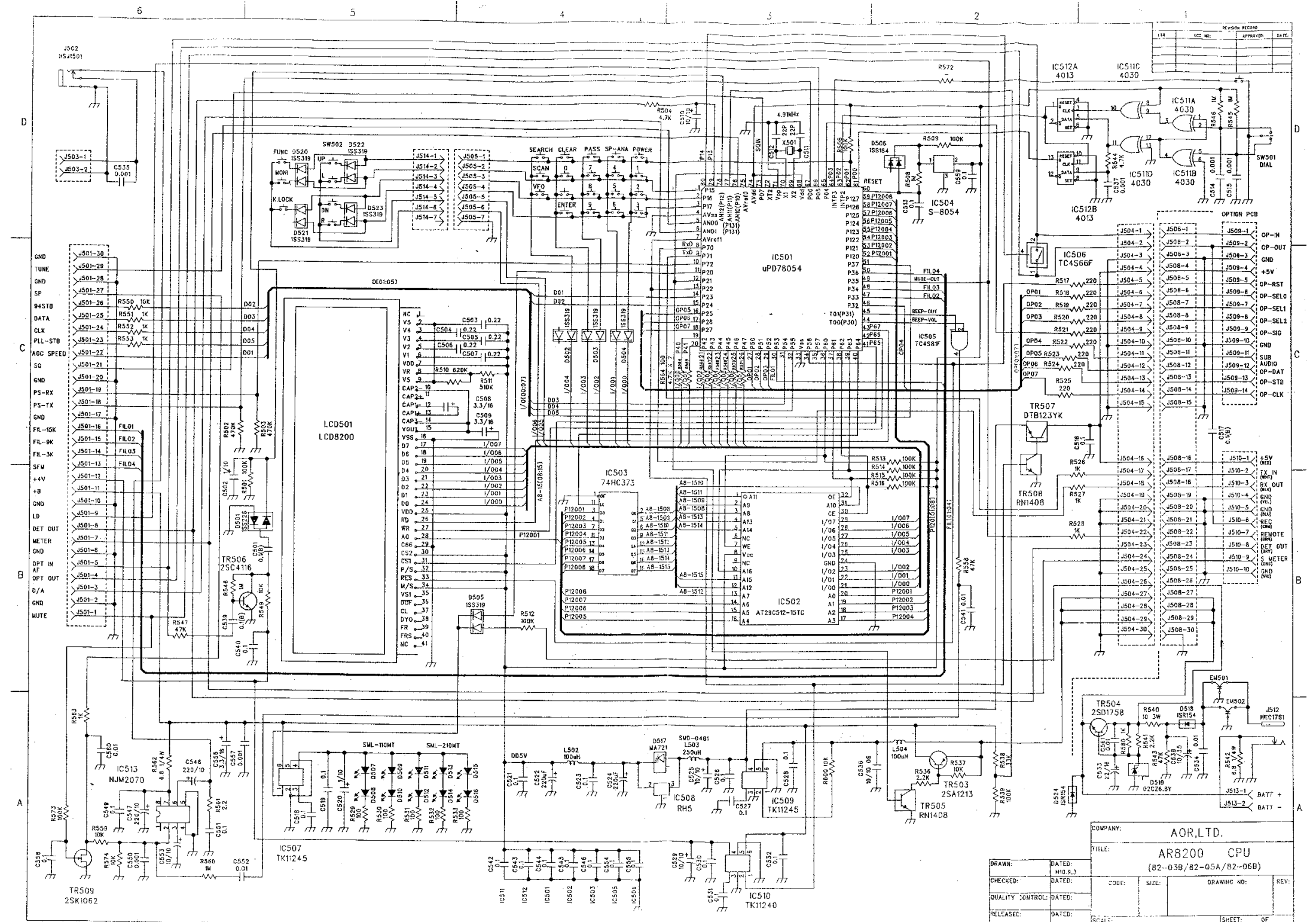
FREQUENCY CONFIGURATION

RX FREQ.	1st IF	VCO FREQ.
0.1 - 30MHz	+ 45.05MHz	45.150 - 75.050MHz
30 - 54.0MHz	+ 754.850MHz	784.850 - 1294.850MHz
54.0 - 104.0MHz	+ 243.850MHz	783.850 - 1283.850MHz
104.0 - 154.0MHz	- 243.850MHz	796.150 - 1296.150MHz
154.0 - 204.0MHz	- 754.850MHz	785.150 - 1285.150MHz

CPU (82-03A)

PS (82-06A)

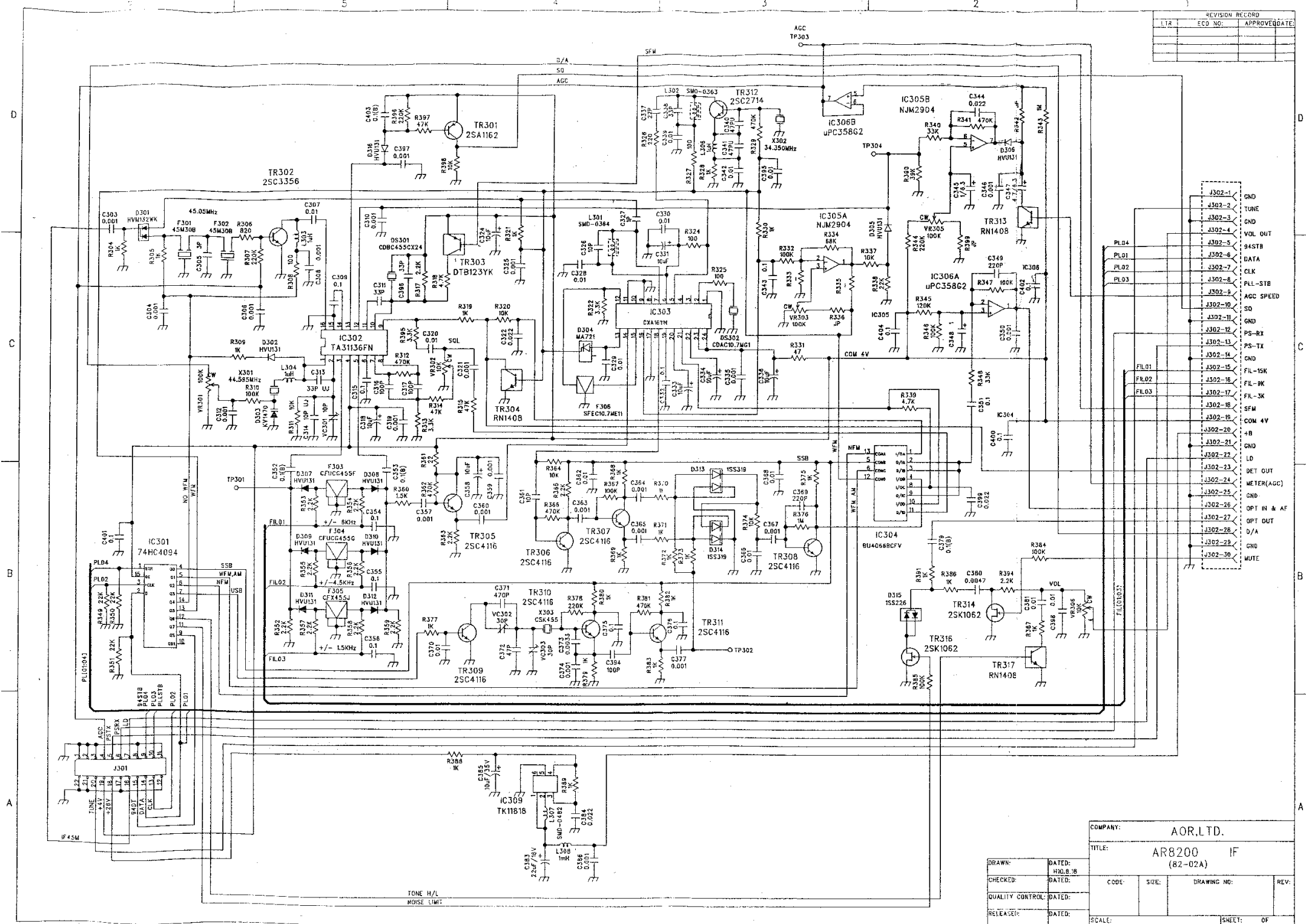
DRAWN:	DATE:	AOR,LTD.	
CHECKED:	DATE:	ARB200 BLOCK DIAGRAM	
QUALITY CONTROL:	DATE:	CODE:	SIZE:
RELEASED:	DATE:	DRAWING NO.:	REV.:



REV	NO.	DESCRIPTION	DATE
1			

COMPANY:		AOR.LTD.	
TITLE:		AR200 CPU	
		(82-039/82-05A/82-06B)	
DRAWN:	DATED:	CODE:	SIZE:
CHECKED:	DATED:		
QUALITY CONTROL:	DATED:		
RELEASED:	DATED:	SCALE:	SHEET: OF

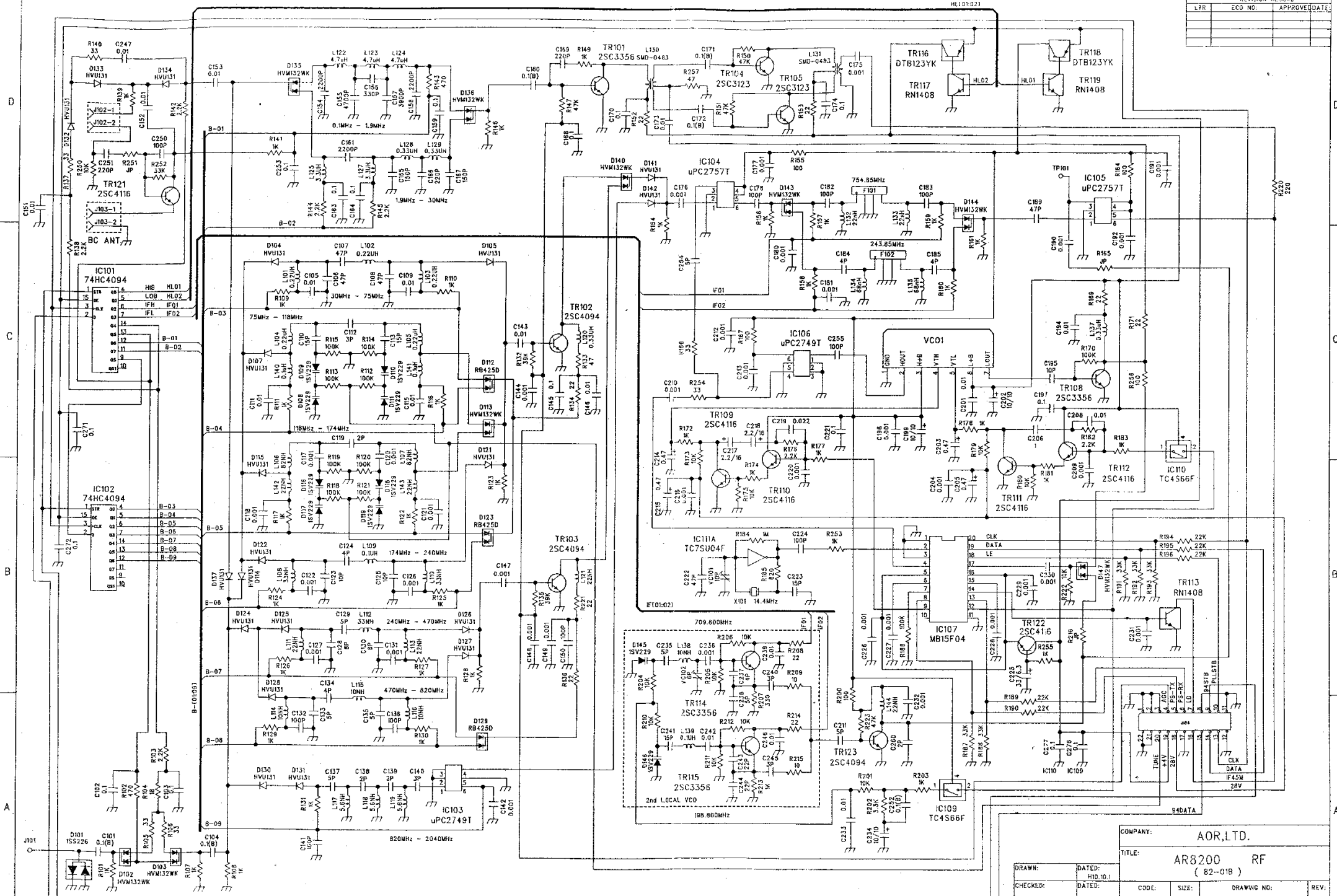
REVISION RECORD		
LT	ECO NO.	APPROVED DATE



COMPANY: AOR,LTD.  
 TITLE: AR8200 IF (82-02A)

DRAWN:	DATED:	NO. 8.18	CODE:	SIZE:	DRAWING NO.:	REV.:
CHECKED:	DATED:					
QUALITY CONTROL:	DATED:					
RELEASED:	DATED:					
SCALE:						SHEET: OF

REVISION		RECORD	
L/R	ECO NO.	APPROVED	DATE



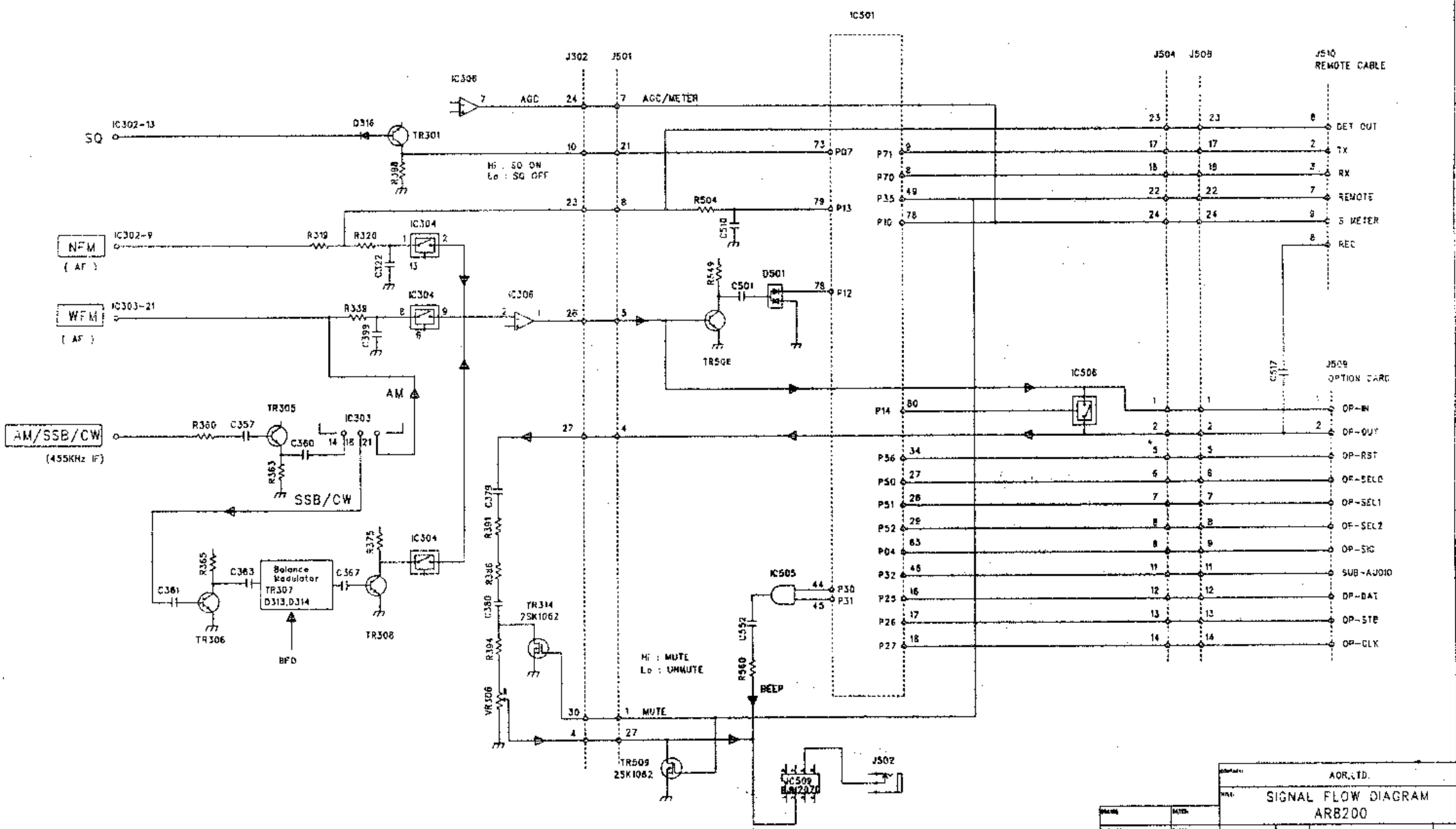
COMPANY:		AOR, LTD.	
TITLE:		AR8200 RF (82-01B)	
DRAWN:	DATED:	CODE:	SIZE:
CHECKED:	DATED:	DRAWING NO.:	REV.:
QUALITY CONTROL:	DATED:	SCALE:	SHEET: 0F
RELEASED:	DATED:		

Revision History			
LT#	REV. NO.	APPROVED	DATE

IF (82-02A)

CPU (82-03A)

PS (82-06A)

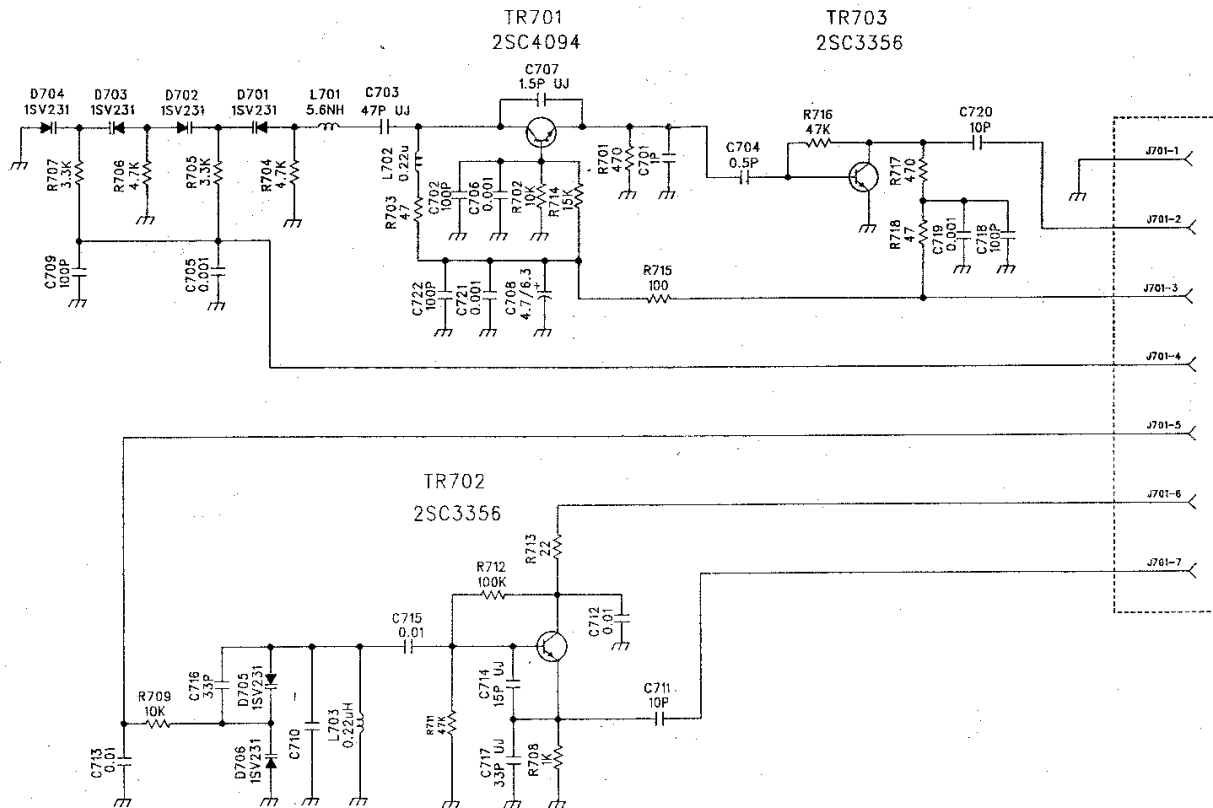


AOR, LTD.

**SIGNAL FLOW DIAGRAM**  
**ARB200**

DATE:	BY:	CHKD:	DATE:

REVISION RECORD			
LTN	LOG NO.	APPROVED	DATE



**Downloaded by**   
  
**Amateur Radio Directory**

COMPANY: AOR,LTD.					
TITLE: AR8200 VCO (82-04B)					
DRAWN:	DATE:	CHKD:	SIZE:	DRAWING NO.:	REV:
CHECKER:	DATE:				
QUALITY CONTROL:	DATE:				
RELEASED:	DATE:				
SCALE:					